



**DANGER**

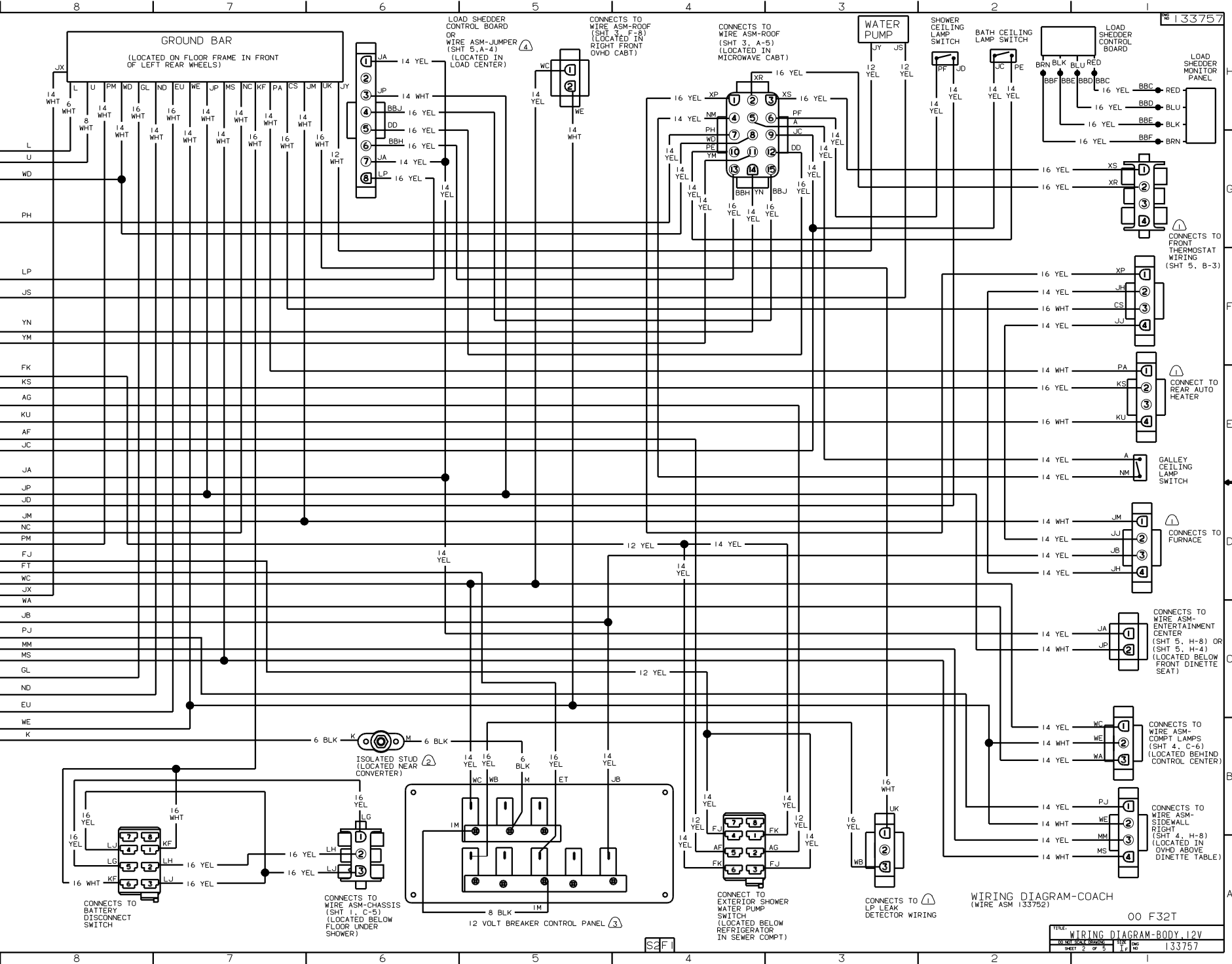
**Danger of electrical shock, burns or death.** Always remove all power sources before attempting any repair, service or diagnostic work. Power can be present from shore power, generator, inverter or battery. All power sources must be disabled and secured before performing any service.



**CAUTION**

If you lack the skills, tools or equipment to perform diagnostic or repair work leave such work to an authorized Winnebago Industries dealer or other qualified shop.

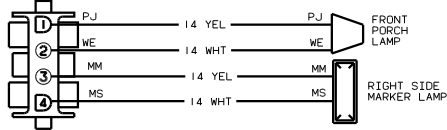






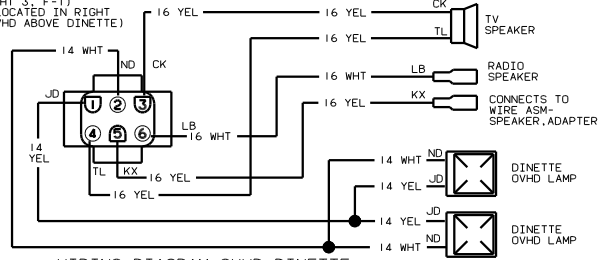


CONNECTS TO WIRE ASM-COACH (SHT 2, B-1) (LOCATED IN OVHD ABOVE DINETTE TABLE)

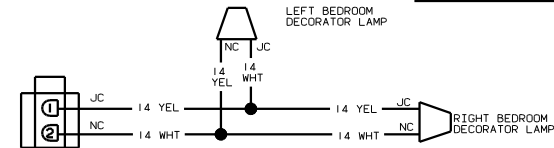


WIRE DIAGRAM SIDEWALL, RIGHT  
(WIRE ASM 127256-01)

CONNECTS TO WIRE ASM-ROOF (SHT 3, F-1) (LOCATED IN RIGHT OVHD ABOVE DINETTE)

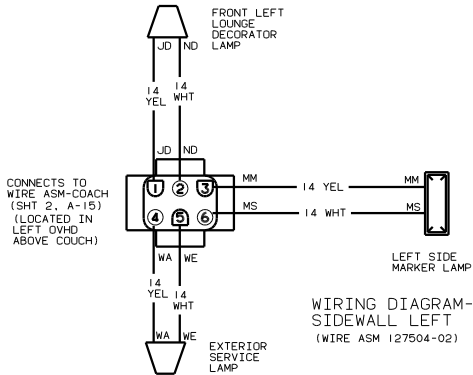


WIRING DIAGRAM OVHD DINETTE  
(WIRE ASM 129057-01)



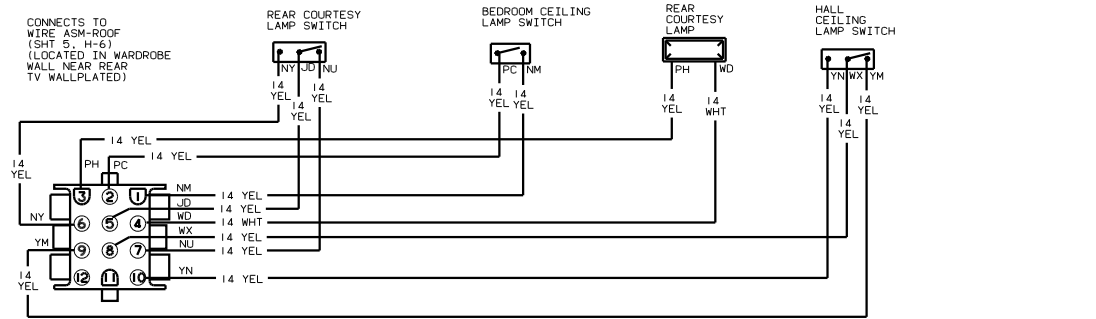
CONNECTS TO CONNECTING WIRE ASM-ROOF (SHT 3, G-8) OR (WIRE ASM-EXT (SHT 5, C-2) (LOCATED IN REAR BEDROOM OVHD CABT))

WIRING DIAGRAM OVHD  
(WIRE ASM 125266-03)

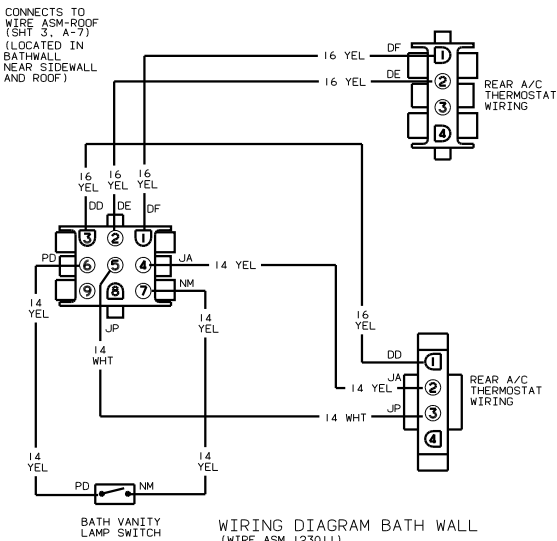


WIRING DIAGRAM-SIDEWALL LEFT  
(WIRE ASM 127504-02)

CONNECTS TO WIRE ASM-ROOF (SHT 5, H-6) (LOCATED IN WARDROBE WALL NEAR REAR TV WALLPLATED)



WIRING DIAGRAM WARDROBE CABT  
(WIRE ASM 133801)

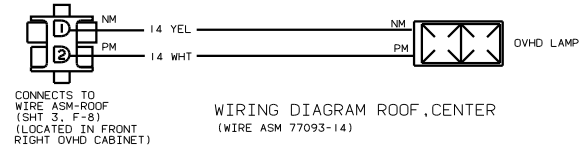


WIRING DIAGRAM BATH WALL  
(WIRE ASM 123011)

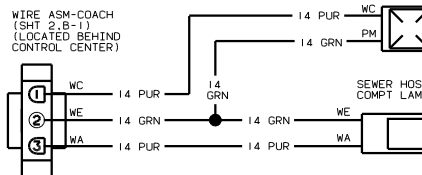
CONNECTS TO WIRE ASM-ROOF (SHT 3, F-8) (LOCATED IN BATHWALL NEAR SIDEWALL AND ROOF)



WIRING DIAGRAM ROOF CENTER  
(WIRE ASM 77093-04)



WIRING DIAGRAM ROOF, CENTER  
(WIRE ASM 77093-14)



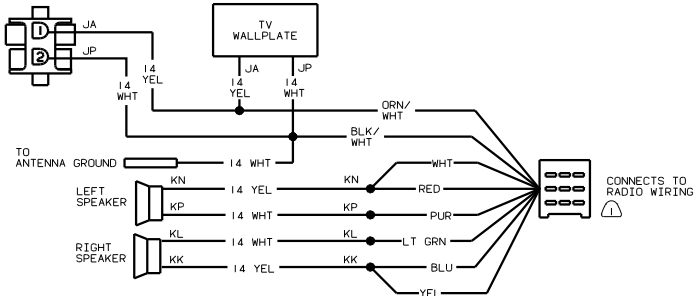
WIRING DIAGRAM-COMPT LAMPS  
(WIRE ASM 127793-02)

NOTES:  
① WITH COMFORT & CONV PKG.

00 F32T

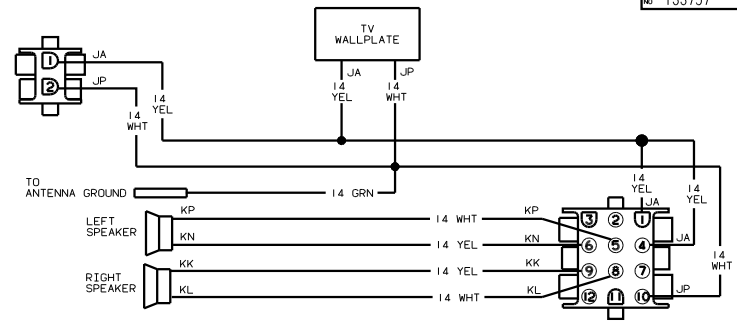
TITLE: WIRING DIAGRAM-BODY, I2V  
SHEET 4 OF 5  
133757

CONNECTS TO WIRE  
ASM COACH  
(SHT 2.C-1)  
(LOCATED BELOW  
FRONT DINETTE SEAT)

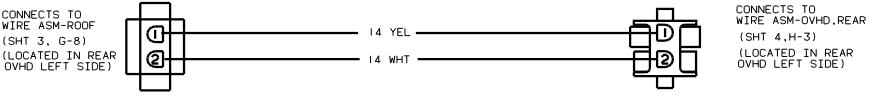
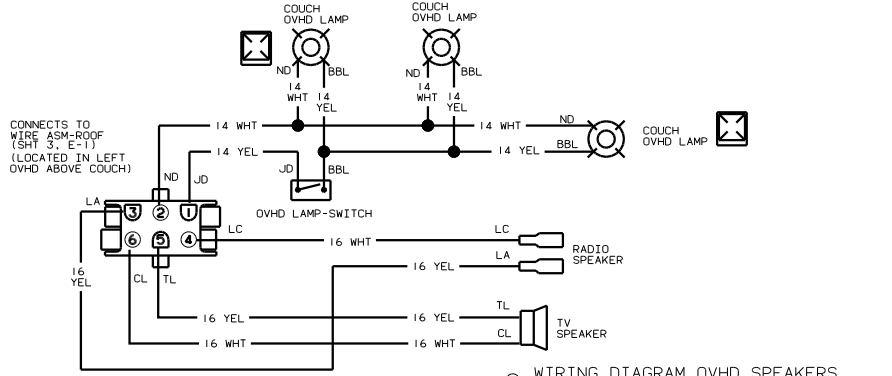


WIRING DIAGRAM ENTERTAINMENT CENTER  
(WIRE ASM-125853-01)  
(WITH EXTERIOR ENTERTAINMENT CENTER/CASSETTE)

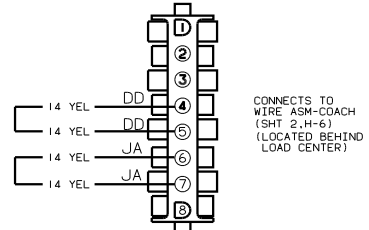
CONNECTS TO WIRE  
ASM COACH  
(SHT 2.C-1)  
(LOCATED BELOW  
FRONT DINETTE SEAT)



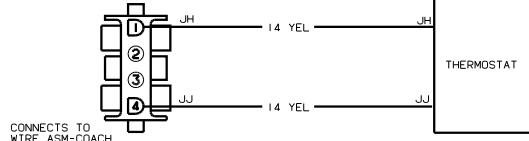
WIRING DIAGRAM ENTERTAINMENT CENTER  
(WIRE ASM-125853-04)  
(WITH EXTERIOR ENTERTAINMENT CENTER/COMPACT DISC)



WIRING DIAGRAM OVHD, REAR EXTENSION  
(WIRE ASM 130858)



WIRING DIAGRAM-JUMPER  
(WIRE ASM-130106)



WIRING DIAGRAM THERMOSTAT  
(WIRE ASM 117252)

SEE WIRING DIAGRAM-AUTO FOR ADDITIONAL INFORMATION.