



**DANGER**

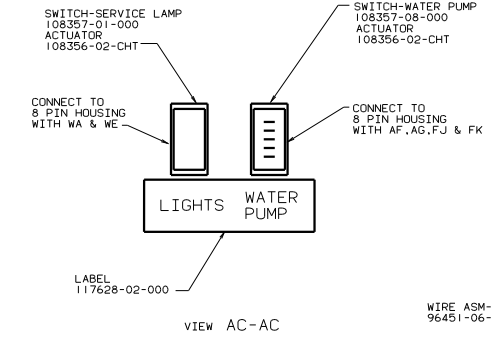
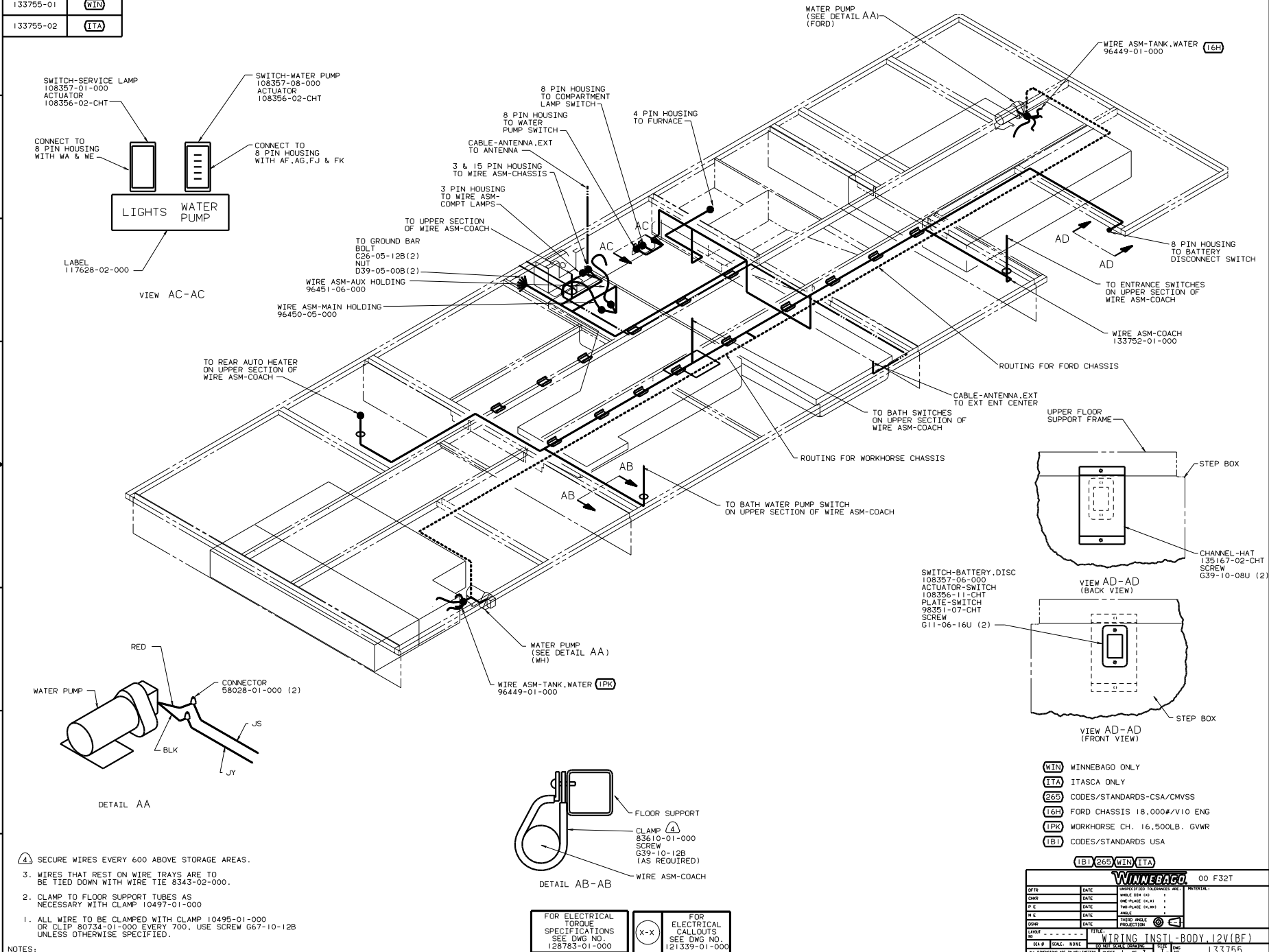
**Danger of electrical shock, burns or death.** Always remove all power sources before attempting any repair, service or diagnostic work. Power can be present from shore power, generator, inverter or battery. All power sources must be disabled and secured before performing any service.



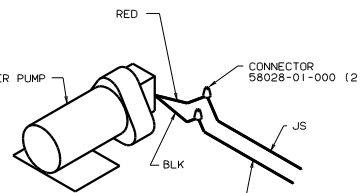
**CAUTION**

If you lack the skills, tools or equipment to perform diagnostic or repair work leave such work to an authorized Winnebago Industries dealer or other qualified shop.

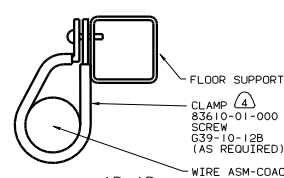
DWG	8	MODEL
133755-01	(WIN)	
133755-02	(LTA)	



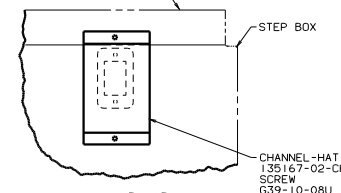
VIEW AC-AC



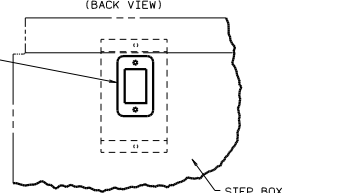
DETAIL AA



DETAIL AB-AB



VIEW AD-AD (BACK VIEW)



VIEW AD-AD (FRONT VIEW)

- (WIN) WINNEBAGO ONLY
- (ITA) ITASCA ONLY
- (265) CODES/STANDARDS-CSA/CMVSS
- (16H) FORD CHASSIS 18,000#/V10 ENG
- (1PK) WORKHORSE CH. 16,500LB. GVWR
- (1B1) CODES/STANDARDS USA

(1B1) (265) (WIN) (LTA)

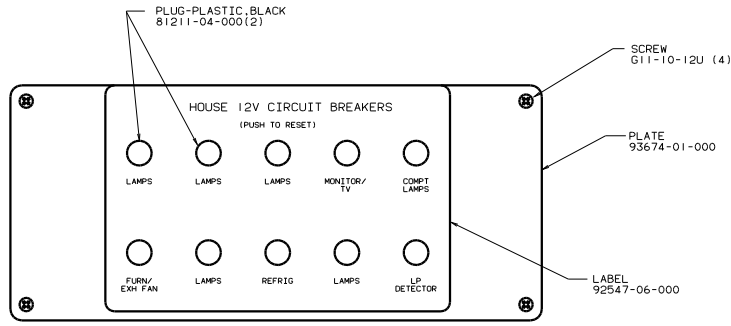
- NOTES:
- ALL WIRE TO BE CLAMPED WITH CLAMP 10495-01-000 OR CLIP 80734-01-000 EVERY 700. USE SCREW G67-10-12B UNLESS OTHERWISE SPECIFIED.
  - CLAMP TO FLOOR SUPPORT TUBES AS NECESSARY WITH CLAMP 10497-01-000
  - WIRES THAT REST ON WIRE TRAYS ARE TO BE TIED DOWN WITH WIRE TIE 8343-02-000.
  - SECURE WIRES EVERY 600 ABOVE STORAGE AREAS.

FOR ELECTRICAL TORQUE SPECIFICATIONS SEE DWG NO. 128783-01-000	(X-X)	FOR ELECTRICAL CALLOUTS SEE DWG NO. 121339-01-000
--	-------	---

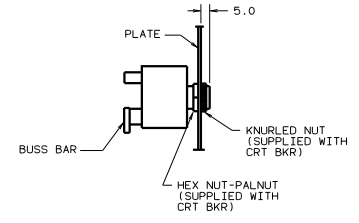
LAYOUT		TITLE		00 F32T	
BY	DATE	UNSPECIFIED TOLERANCES ARE:			
CHKD	DATE	FR. DIM. (X.X)			
APP'D	DATE	ONE-PLACE (X.XX)			
DES	DATE	TWO-PLACE (X.XXX)			
ENG	DATE	THREE-PLACE (X.XXXX)			
DATE	DATE	PROD. W/DATE			
DATE	DATE	PRODUCTION			
SCALE: NONE		DRAWING NO. 133755		SHEET 1 OF 7	
REF: 128874-X		1			



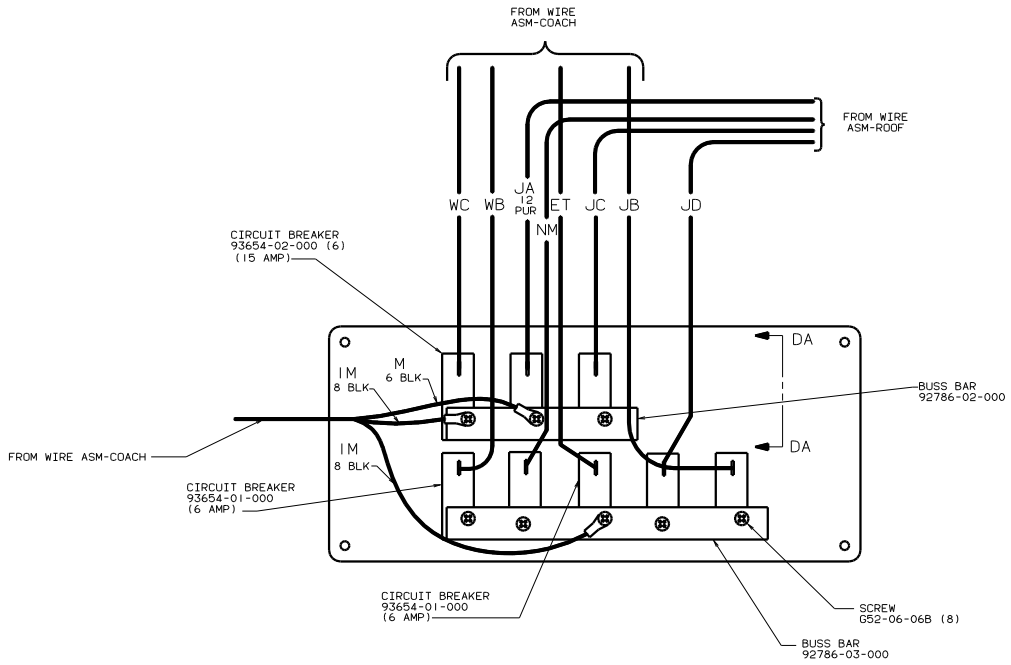




PNL-BRKR, 12V (FRONT VIEW)



SECTION DA-DA

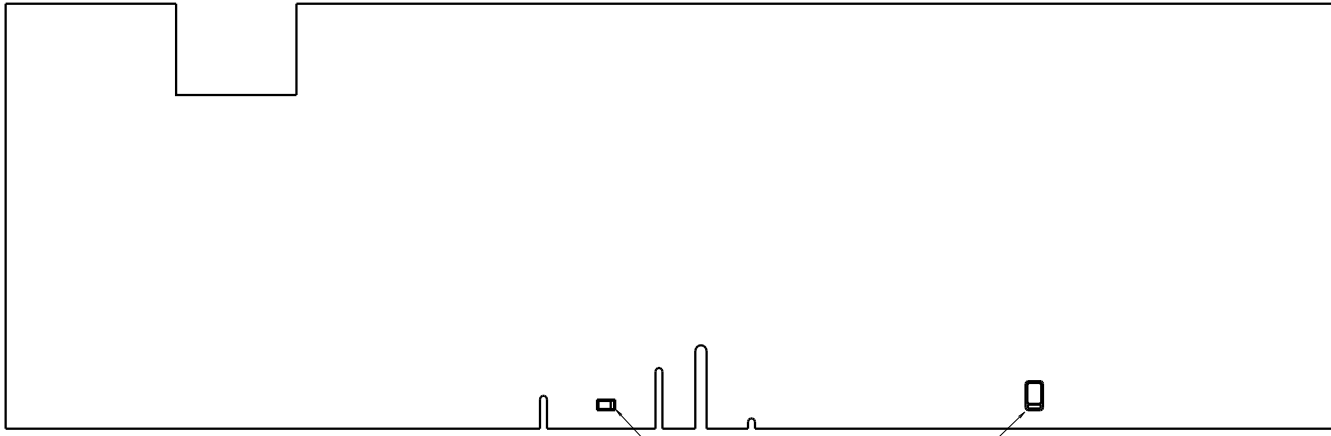
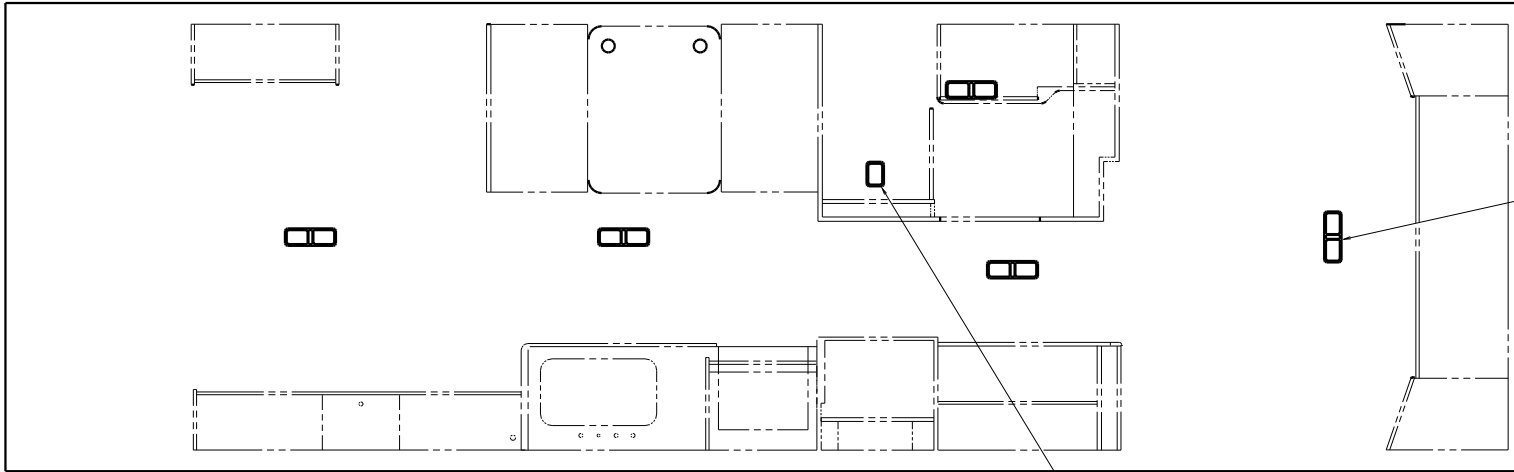


PNL-BRKR, 12V (BACK VIEW)

- (WIN) WINNEBAGO ONLY
- (ITA) ITASCA ONLY
- (265) CODES/STANDARDS-CSA/CMVSS
- (IBT) CODES/STANDARDS USA

FOR ELECTRICAL TORQUE SPECIFICATIONS SEE DWG NO 128783-01-000

00 F32T
WIN ITA
WIRING INSTL-BODY, 12V(BP)
SHEET 4 OF 7
DWG NO 133755



LAMP-COMPARTMENT  
86280-01-CHT  
SCREW  
011-08-128 (2)  
CONNECTOR  
58028-01-000 (2)

FOR ELECTRICAL  
TORQUE  
SPECIFICATIONS  
SEE DWG NO.  
128783-01-000

(X-X)

FOR  
ELECTRICAL  
CALLOUTS  
SEE DWG NO.  
121339-01-000

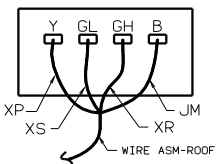
- (WIN) WINNEBAGO ONLY
- (ITA) ITASCA ONLY
- (265) CODES/STANDARDS-CSA/CMVSS
- (IB1) CODES/STANDARDS USA

(IB1) 265 (WIN) (ITA) 00 F32T

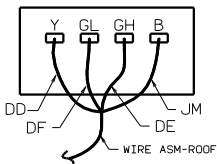
FILE: WIRING INSTL-BODY, 12V(LAMPS)  
SHEET 5 OF 7

1. LAMPS TO BE MOUNTED WITH SWITCH OUTBOARD  
AND 75 +/-15 FROM EDGE OF FLOOR, UNLESS OTHERWISE SPECIFIED.

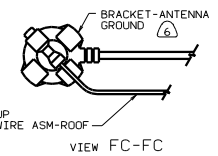
NOTES:



DETAIL FA

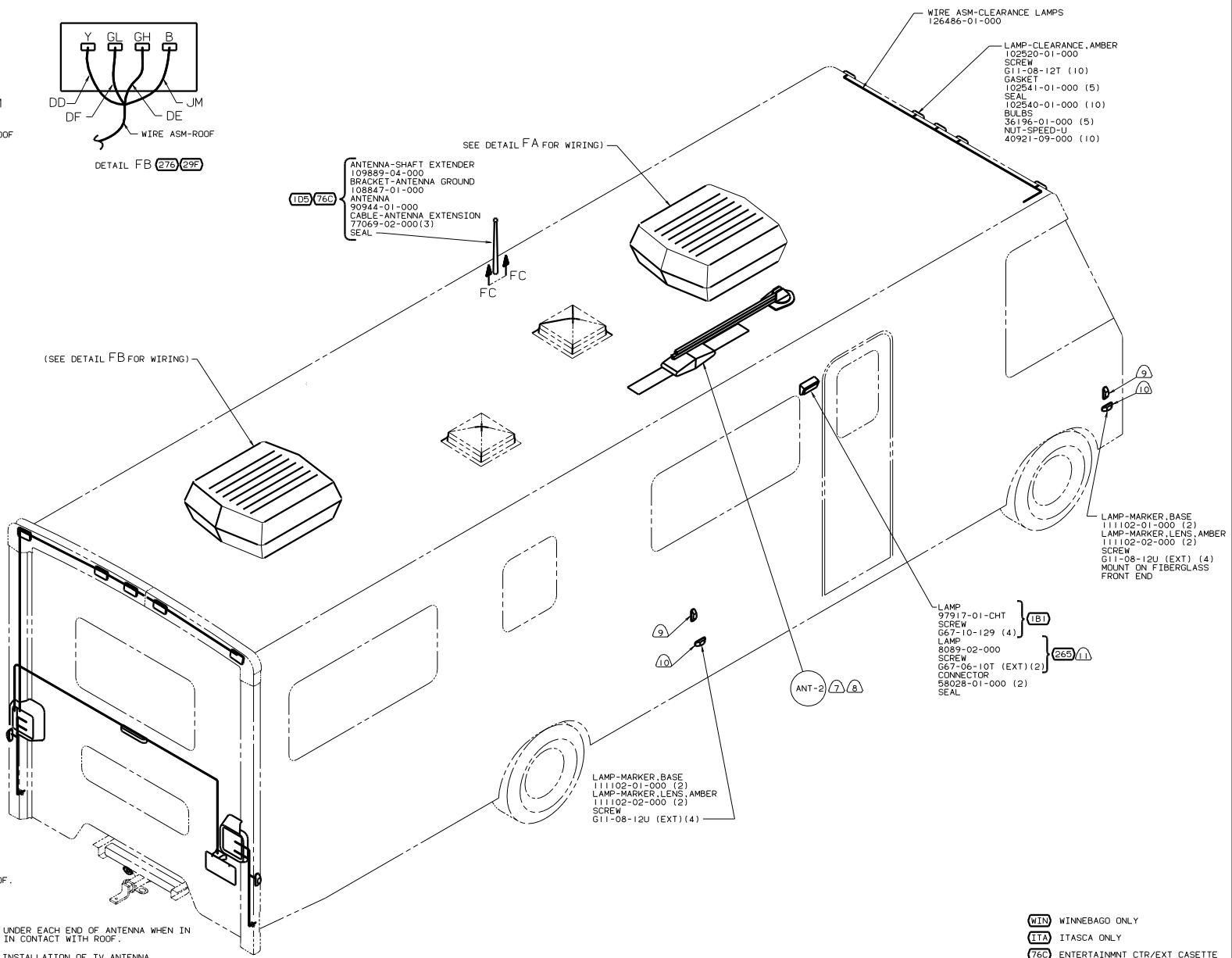


DETAIL FB (276) (29F)



(SEE DETAIL FB FOR WIRING)

- (1D5) (76C)
  - ANTENNA-SHAFT EXTENDER 109889-04-000
  - BRACKET-ANTENNA GROUND 108847-01-000
  - ANTENNA 90944-01-000
  - CABLE-ANTENNA EXTENSION 77069-02-000(3)
  - SEAL



- WIRE ASM-CLEARANCE LAMPS 126486-01-000
- LAMP-CLEARANCE, AMBER 102540-01-000
- SCREW G11-08-12T (10)
- GASKET 102541-01-000 (5)
- SEAL 102540-01-000 (10)
- BULBS 36196-01-000 (5)
- NUT-SPEED-U 40921-09-000 (10)

- LAMP-MARKER, BASE 111102-01-000 (2)
- LAMP-MARKER, LENS, AMBER 111102-02-000 (2)
- SCREW G11-08-12U (EXT) (4)
- MOUNT ON FIBERGLASS FRONT END

- LAMP 97917-01-CHT (1B1)
- SCREW G67-10-129 (4)
- LAMP 8089-02-000 (265) (1)
- SCREW G67-06-10T (EXT) (2)
- CONNECTOR 58028-01-000 (2)
- SEAL

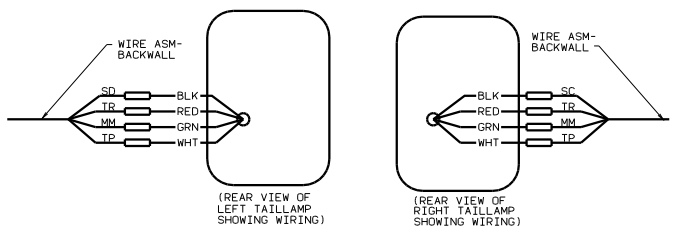
- LAMP-MARKER, BASE 111102-01-000 (2)
- LAMP-MARKER, LENS, AMBER 111102-02-000 (2)
- SCREW G11-08-12U (EXT) (4)

- (1) INSTALL WITH WIRES TOWARD ROOF.
- (10) ITASCA UNITS.
- (9) WINNEBAGO UNITS.
- (A) ADD RUBBER BUMPER TO ANTENNA UNDER EACH END OF ANTENNA WHEN IN DOWN POSITION WHICH MAY COME IN CONTACT WITH ROOF.
- (7) SEE DRAWING 76319-01-000 FOR INSTALLATION OF TV ANTENNA.
- (A) INSTALL RUBBER BOOT, SUPPLIED WITH CONNECTOR SOCKET ON WIRE ASM BEFORE WIRING SOCKET.
- (5) WRAP BRACKET LEGS AROUND ANTENNA BASE.
- (4) CONNECTOR-PLUG, TRAILER 113589-01-000 TO BE SUPPLIED LOOSE IN COACH WITH TRAILER TOWING PACKAGE.
- (3) TAPE BRANCH BACK ALONG WIRE ASM WITH TAPE 8363-01-000.
- (2) DELETED
- (1) 29F A/C ROOF-TWO 13,500.

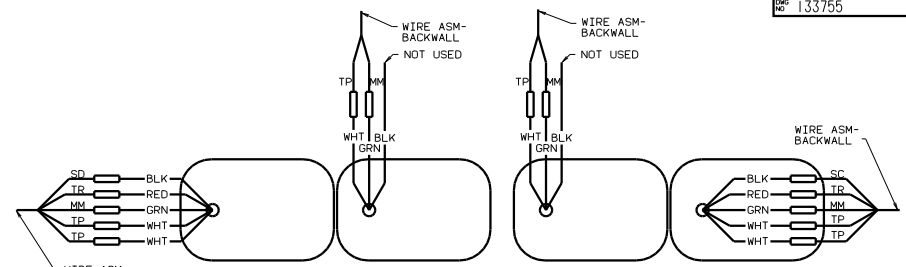
- (WIN) WINNEBAGO ONLY
- (ITA) ITASCA ONLY
- (76C) ENTERTAINMENT CTR/EXT CASSETTE
- (29F) A/C ROOF-TWO 13,500 BTU
- (276) A/C ROOF-HI EFF (2) W/EMS
- (265) CODES/STANDARDS-CSA/CMVSS
- (1D5) ENTERTAINMENT CTR/EXT W/CD
- (1B1) CODES/STANDARDS USA

FOR ELECTRICAL TORQUE SPECIFICATIONS SEE DWG NO. 126783-01-000

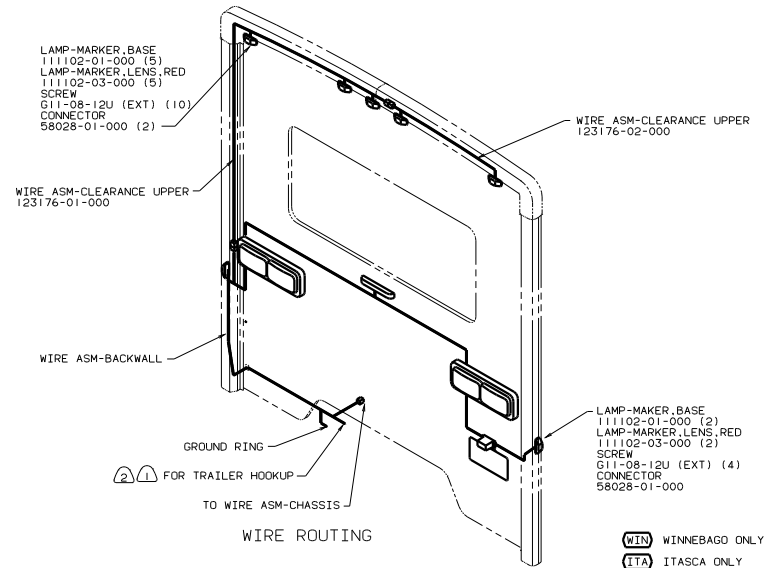
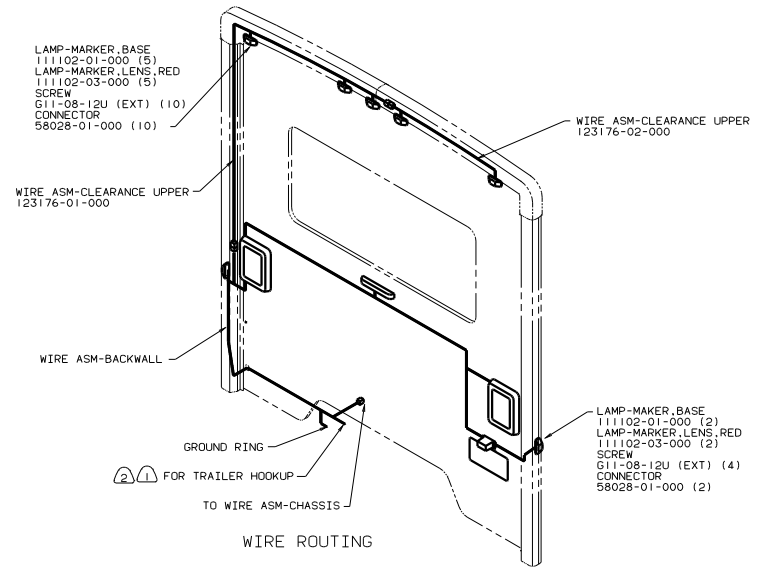
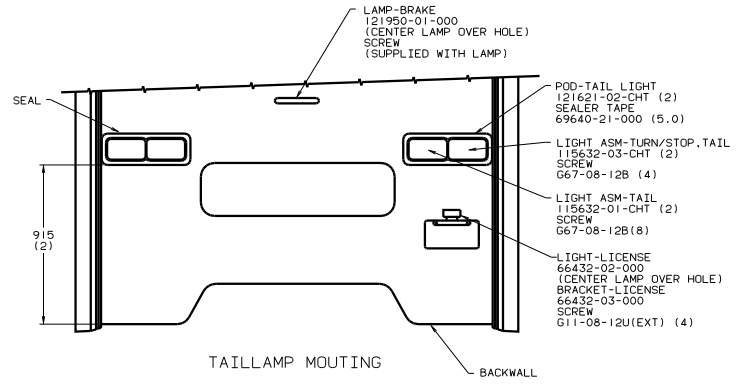
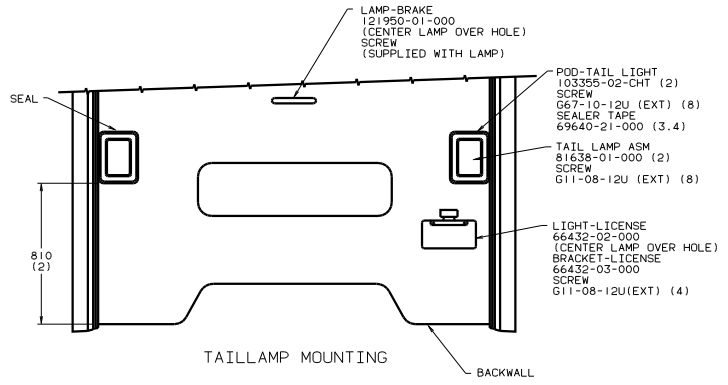
WIRING INSTL - BODY, 12V (EXT) 00 F32T  
 SHEET 6 OF 7 133755



TAILLAMP WIRING



TAILLAMP WIRING



(2) CONNECTOR-PLUG, TRAILER 113589-01-000 TO BE SUPPLIED LOOSE IN COACH WITH TRAILER TOWING PACKAGE.

(1) TAPE BRANCH BACK ALONG WIRE ASM WITH TAPE 8363-01-000.

FOR ELECTRICAL TORQUE SPECIFICATIONS SEE DWG NO. 128783-01-000

(WIN) WINNEBAGO ONLY  
(ITA) ITASCA ONLY

00 F32T

FILE NO.	WIRING INSTL-BODY, 12V(EXT)
REV	1
SHEET	7 OF 7
DWG NO.	133755

(WIN) (ITA)