



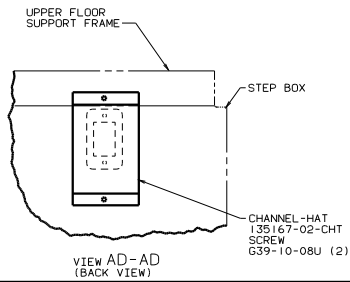
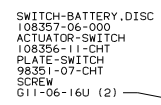
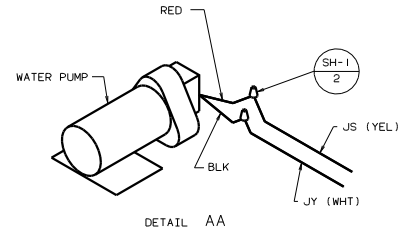
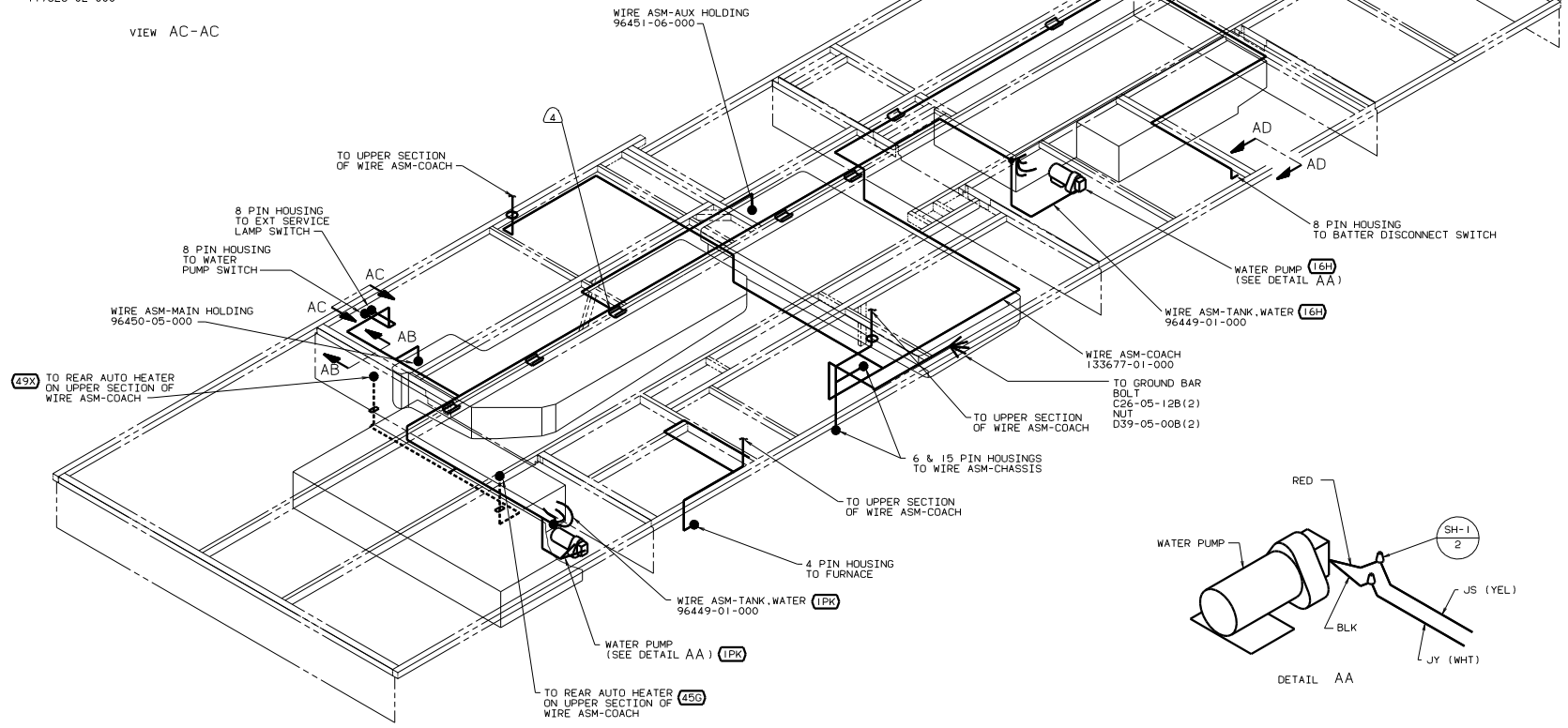
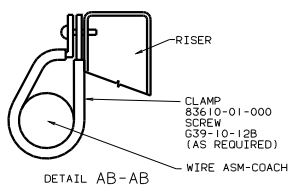
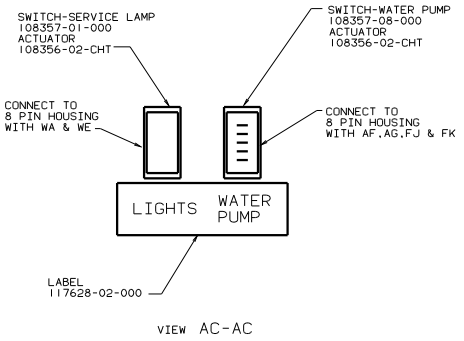
DANGER

Danger of electrical shock, burns or death. Always remove all power sources before attempting any repair, service or diagnostic work. Power can be present from shore power, generator, inverter or battery. All power sources must be disabled and secured before performing any service.



CAUTION

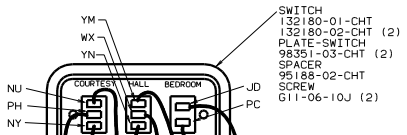
If you lack the skills, tools or equipment to perform diagnostic or repair work leave such work to an authorized Winnebago Industries dealer or other qualified shop.



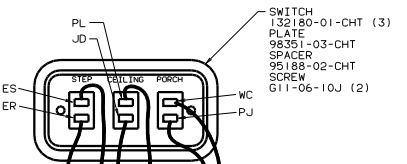
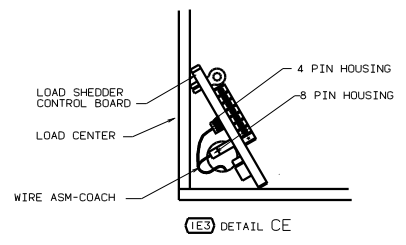
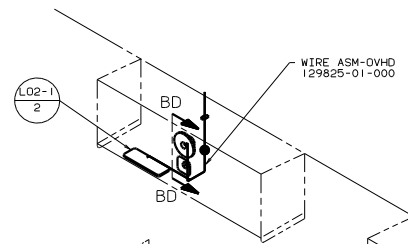
- (4) AT THIS POINT ROUTE WATER PUMP AND WATER TANK DROPS TO FRONT FOR (16H) AND TO REAR FOR (1PK).
3. WIRES THAT REST ON WIRE TRAYS ARE TO BE TIED DOWN WITH WIRE TIE 8343-02-000.
2. CLAMP TO FLOOR SUPPORT TUBES AS NECESSARY WITH CLAMP 10497-01-000
1. ALL WIRE TO BE CLAMPED WITH CLAMP 10495-01-000 OR CLIP 80734-01-000 EVERY 700. USE SCREW G67-10-12B UNLESS OTHERWISE SPECIFIED.

- (43X) BED-QUEEN - BACKWALL
- (45B) BED-TWINS
- (26S) CODES/STANDARDS-CSA/CMVSS
- (16H) FORD CHASSIS 18,000#/V10 ENG
- (1PK) WORKHORSE CH. 16,500LB. GVWR
- (1B1) CODES/STANDARDS USA

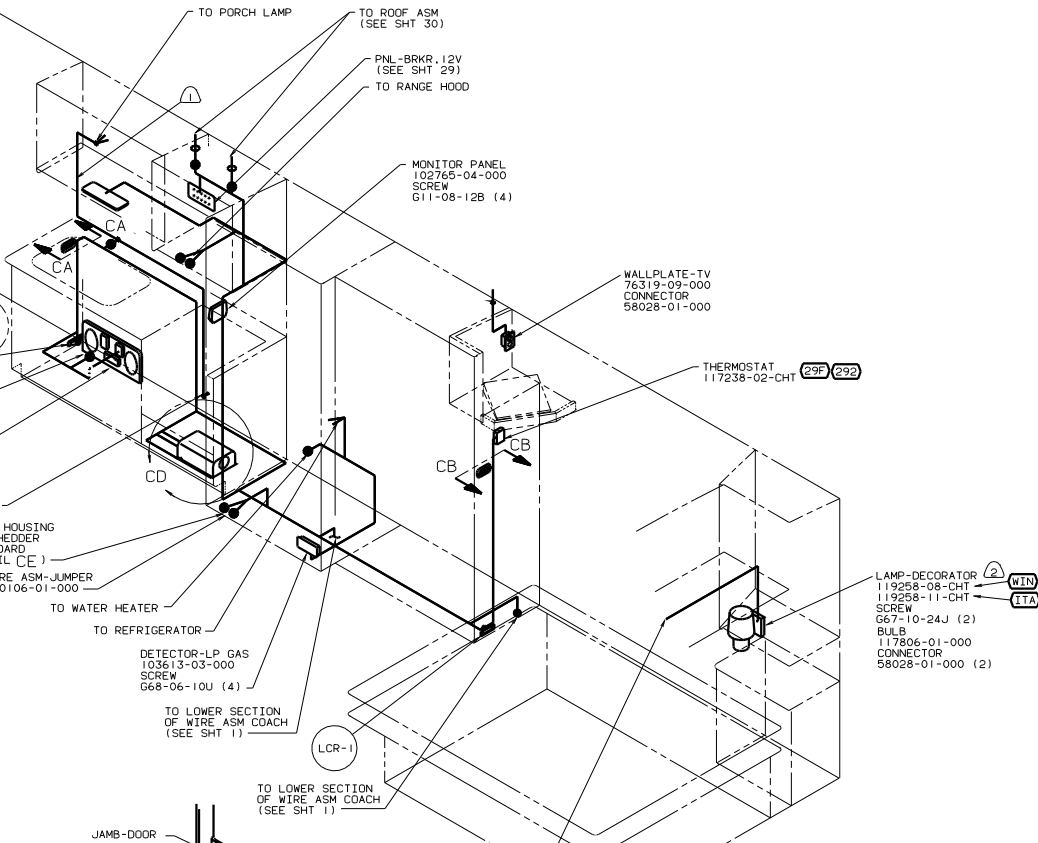
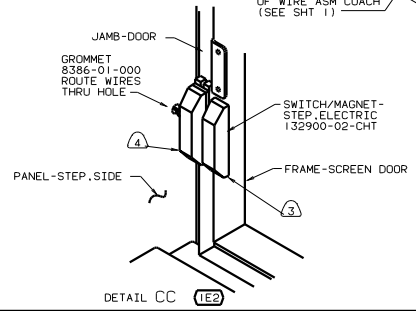
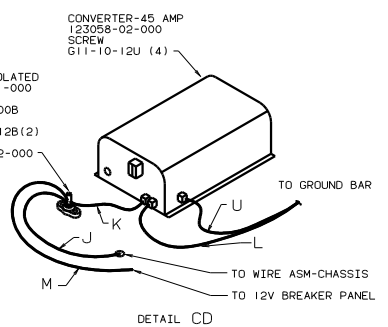
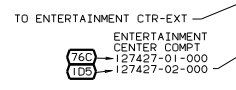
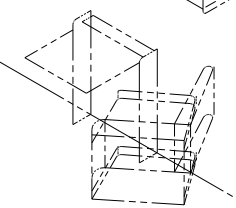
FOR ELECTRICAL TORQUE SPECIFICATIONS SEE DWG NO. 128783-01-000		WINNEBAGO 00 F35C	
DATE	DATE	UNSPECIFIED TOLERANCES ARE:	MATERIAL
DRW	DATE	ONE-PLATE (R, R1)	
PIE	DATE	TWO-PLATE (R, R1)	
DATE	DATE	ANGLE	
DATE	DATE	INDU. WELD PRODUCTION	
DATE	DATE		
FOR ELECTRICAL CALLOUTS SEE DWG NO. 121339-01-000		WIRING INSTL - BODY, 12V (BF)	
DATE	DATE	SCALE	1:1
DATE	DATE	SHEET	1 OF 8
DATE	DATE	REF:	130596-S 1



WIRE ASM-COACH
VIEW CB-CB



WIRE ASM-COACH
VIEW CA-CA



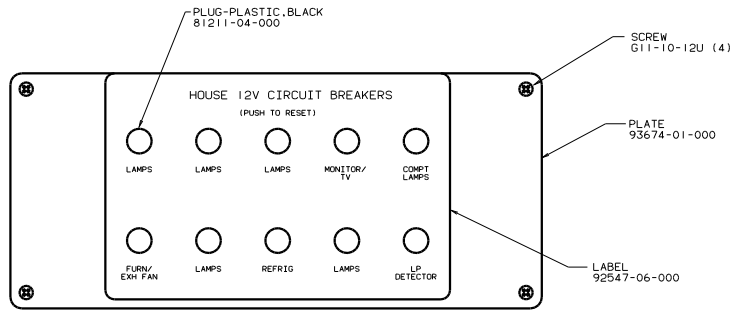
- (3) WITHOUT (IE3)
- (4) MOUNT SWITCH AND SPACER TO BLOCK ON JAMB. ADJUST HEIGHT TO MATCH MAGNET.
- (3) MOUNT MAGNET USING PILOT HOLES IN SCREEN DOOR FRAME. MOUNT WITH MAGNET TOWARD SWITCH.
- (2) CENTERLINE OF MOUNTING BASE TO BE 1245 ABOVE FLOOR.
- (1) WIRE IN SIDEWALL.

- (IE2) ENTRANCE STEP-ELEC.
- (76C) ENTERTAINMENT CTR/EXT CSETTE
- (IE3) ENERGY MANAGEMENT SYSTEM
- (29F) A/C ROOF-TWO 13,500 BTU
- (265) CODES/STANDARDS-CSA/CMVSS
- (292) A/C ROOF-HIGH EFFICIENCY
- (105) ENTERTAINMENT CTR-EXT-W/CD
- (1B1) CODES STANDARDS/USA

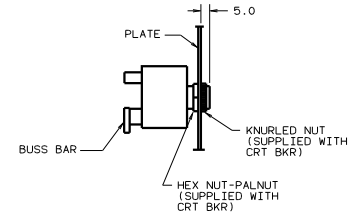
FOR ELECTRICAL TORQUE SPECIFICATIONS SEE DWG NO. 128783-01-000

FOR ELECTRICAL CALLOUTS SEE DWG NO. 121339-01-000

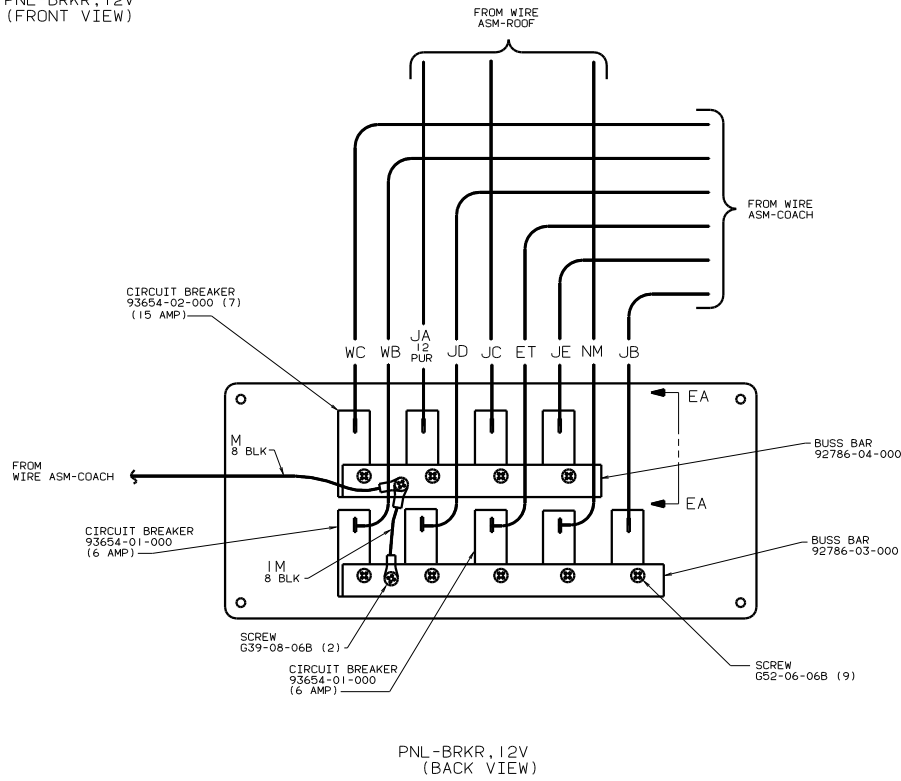
00 F35C
TITLE: WIRING INSTL-BODY.12V(R)
SHEET 3 OF 8
133674



PNL-BRKR, 12V
(FRONT VIEW)



VIEW EA-EA

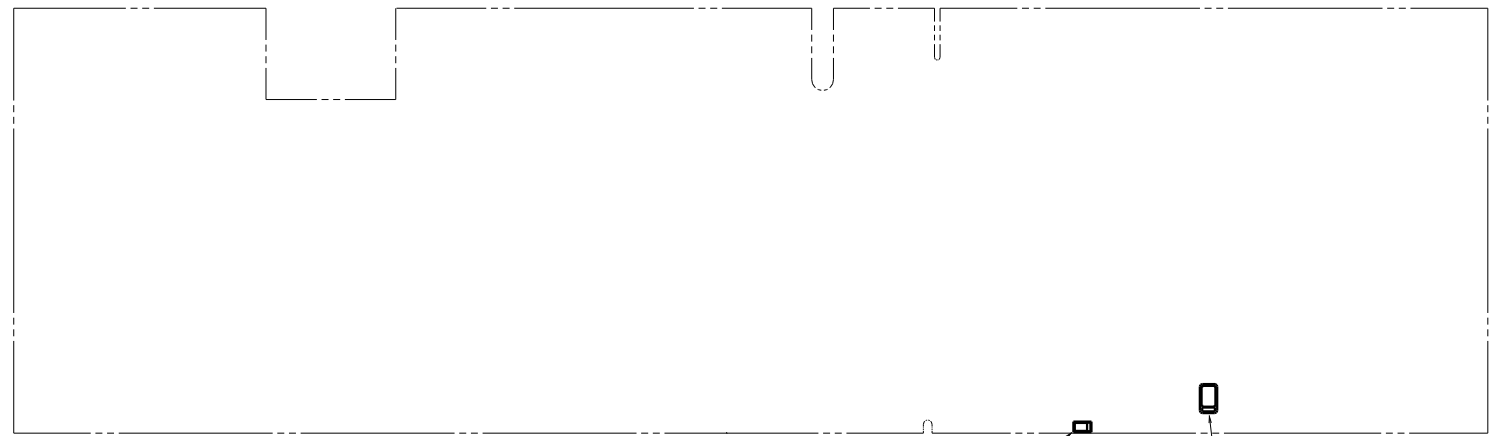
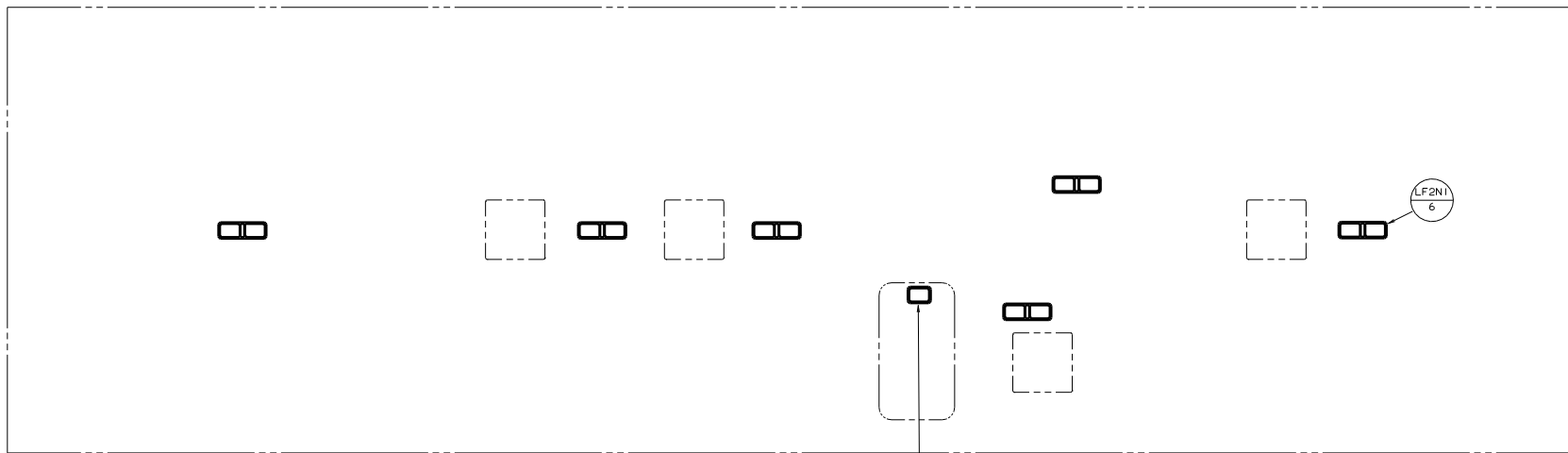


PNL-BRKR, 12V
(BACK VIEW)

FOR ELECTRICAL
TORQUE
SPECIFICATIONS
SEE DWG NO
128783-01-000

(265) CODES/STANDARDS-CSA/CMVSS
(1B1) CODES/STANDARDS USA
(1B1)(265) 00 F35C

TITLE: WIRING INSTL-BODY, 12V(BP)
SHEET 4 OF 8 DWG NO 133674



LAMP-COMPARTMENT
 86280-01-CHT
 SCREW
 G11-08-12B (2)
 CONNECTOR
 58028-01-000 (2)

LF1-1

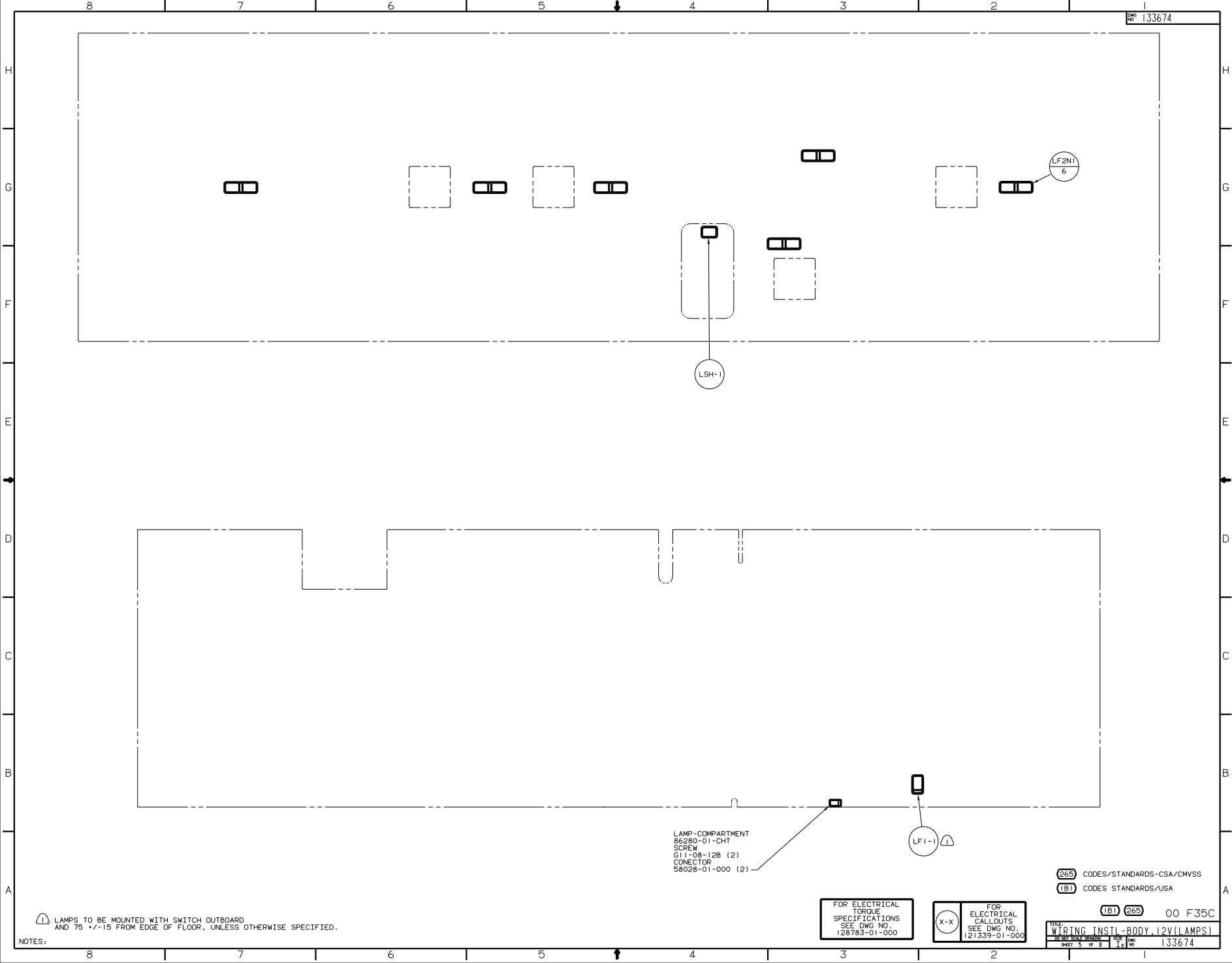
(265) CODES/STANDARDS-CSA/CMVSS
 (1B1) CODES STANDARDS/USA

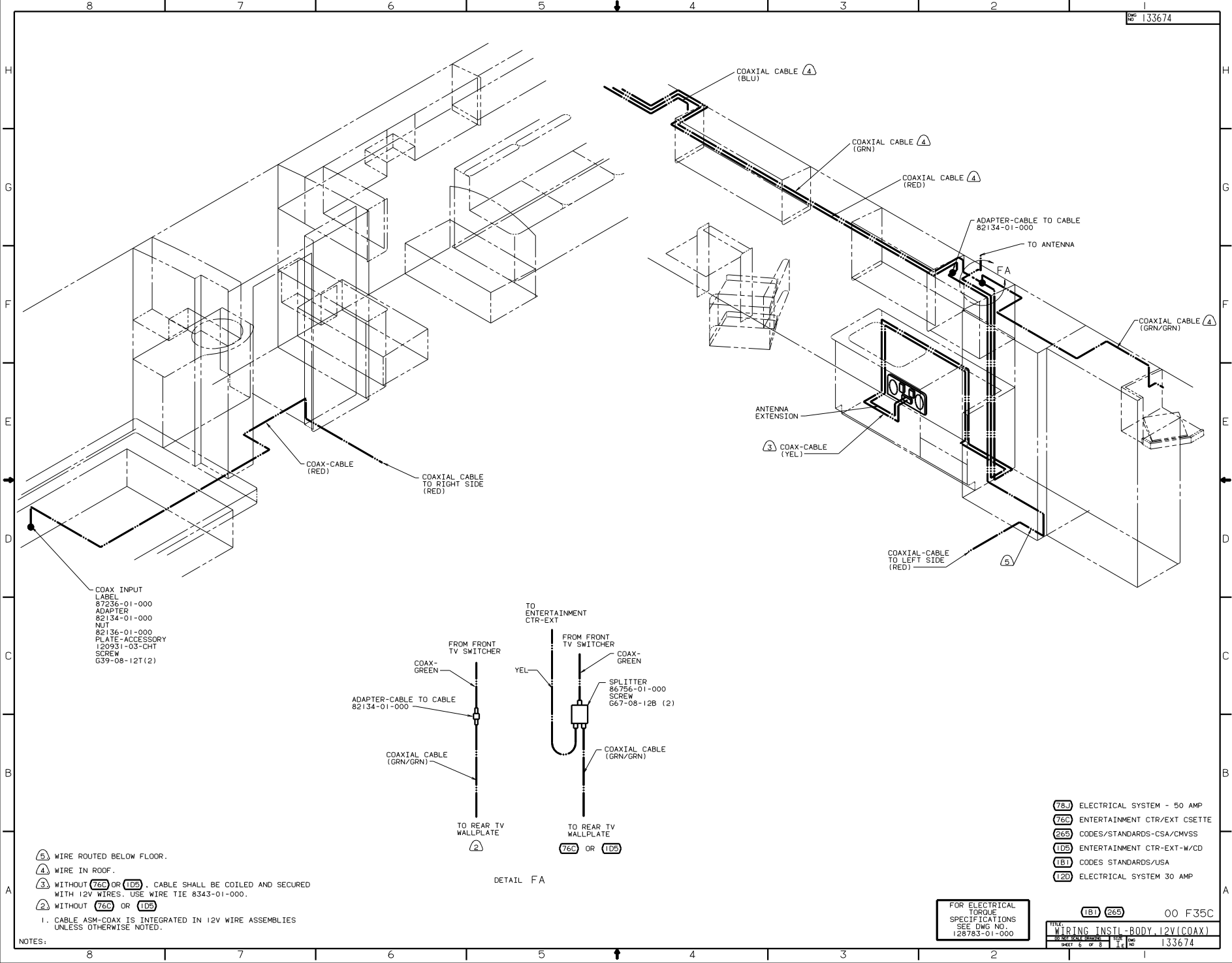
FOR ELECTRICAL
 TORQUE
 SPECIFICATIONS
 SEE DWG NO.
 128783-01-000

FOR
 ELECTRICAL
 CALLOUTS
 SEE DWG NO.
 121339-01-000

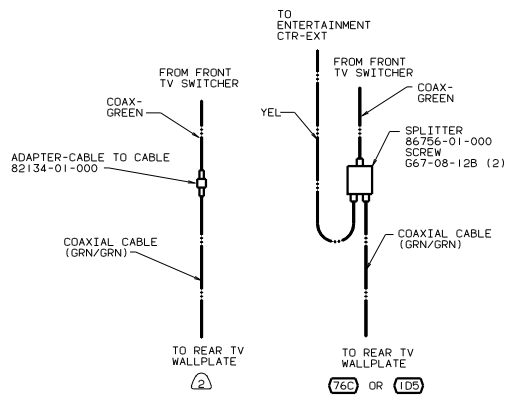
TITLE		00 F35C	
WIRING INSTL-BODY L2V(LAMPS)			
NO. OF SHEETS	TOTAL SHEETS	FIG. NO.	133674
5	8	1E	
SHEET 5 OF 8			

NOTES:
 ⚠ LAMPS TO BE MOUNTED WITH SWITCH OUTBOARD
 AND 75 +/-15 FROM EDGE OF FLOOR, UNLESS OTHERWISE SPECIFIED.





COAX INPUT LABEL
87236-01-000
ADAPTER
82134-01-000
NUT
82136-01-000
PLATE-ACCESSORY
120931-03-OHT
SCREW
G39-08-12T(2)

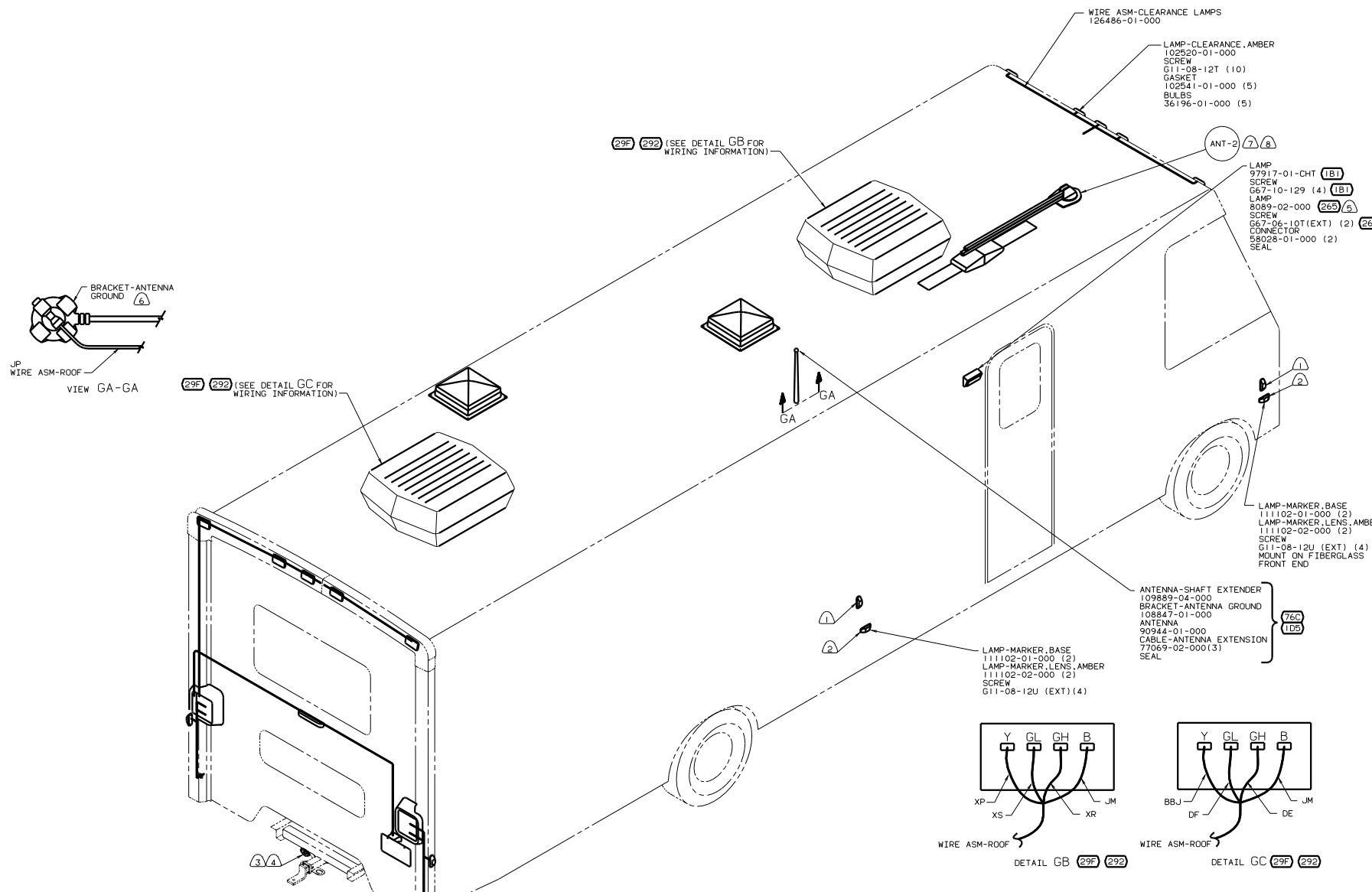


- (3) WIRE ROUTED BELOW FLOOR.
 - (4) WIRE IN ROOF.
 - (3) WITHOUT (76C) OR (1D5), CABLE SHALL BE COILED AND SECURED WITH 12V WIRES. USE WIRE TIE 8343-01-000.
 - (2) WITHOUT (76C) OR (1D5)
1. CABLE ASM-COAX IS INTEGRATED IN 12V WIRE ASSEMBLIES UNLESS OTHERWISE NOTED.

(76J)	ELECTRICAL SYSTEM - 50 AMP
(76C)	ENTERTAINMENT CTR/EXT CSETTE
(265)	CODES/STANDARDS-CSA/CMVSS
(1D5)	ENTERTAINMENT CTR-EXT-W/CD
(1B1)	CODES STANDARDS/USA
(12D)	ELECTRICAL SYSTEM 30 AMP

FOR ELECTRICAL TORQUE SPECIFICATIONS SEE DWG NO. 128783-01-000

(1B1)	(265)	00 F35C
WIRING INSTL-BODY, 12V(COAX)		
DATE	REV	133674
10/21/2014	1	
SHEET 6 OF 8	1	

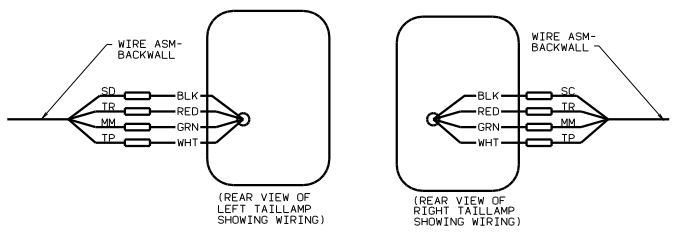


- (A) SEE DRAWING 76319-01-000 FOR INSTALLATION OF TV ANTENNA.
- (7) ADD RUBBER BUMPER TO ANTENNA UNDER EACH END OF ANTENNA WHEN IN DOWN POSITION WHICH MAY COME IN CONTACT WITH ROOF.
- (A) WRAP BRACKET LEGS AROUND ANTENNA BASE.
- (B) INSTALL WITH WIRES TOWARD ROOF.
- (4) CONNECTOR-PLUG, TRAILER 113589-01-000 TO BE SUPPLIED LOOSE IN COACH WITH TRAILER TOWING PACKAGE.
- (3) INSTALL RUBBER BOOT, SUPPLIED WITH CONNECTOR SOCKET ON WIRE ASM BEFORE WIRING SOCKET.
- (2) ITASCA UNITS.
- (1) WINNEBAGO UNITS.

- (75C) ENTERTAINMENT CTR/EXT CSETTE
- (29F) A/C ROOF-TWO 13,500 BTU
- (265) CODES/STANDARDS-CSA/CMVSS
- (292) A/C ROOF-HIGH EFFICIENCY
- (1D5) ENTERTAINMENT CTR-EXT-W/CD
- (1B1) CODES STANDARDS/USA

(X-X) FOR ELECTRICAL CALLOUTS SEE DWG NO. 121359-01-000

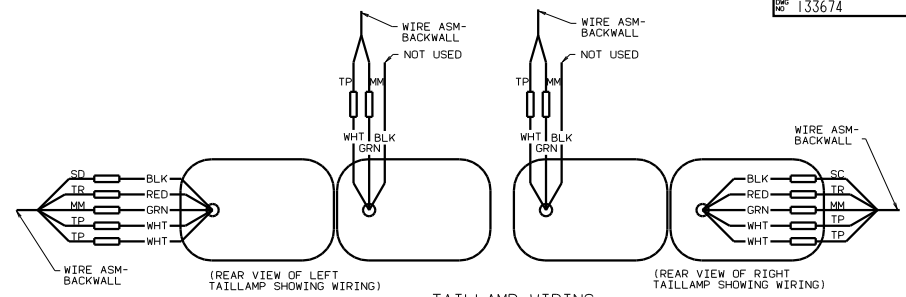
FOR ELECTRICAL TORQUE SPECIFICATIONS SEE DWG NO. 126783-01-000



(REAR VIEW OF LEFT TAILLAMP SHOWING WIRING)

(REAR VIEW OF RIGHT TAILLAMP SHOWING WIRING)

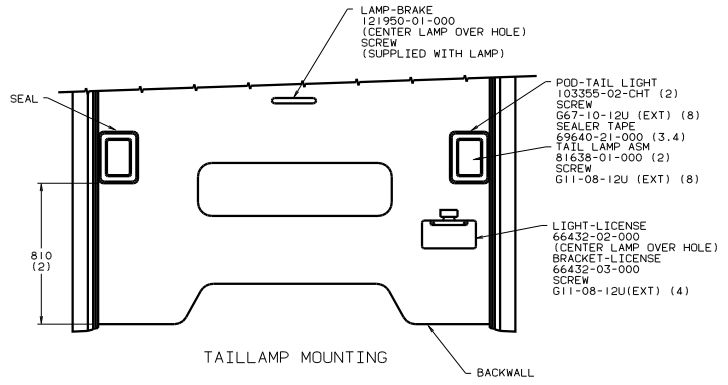
TAILLAMP WIRING



(REAR VIEW OF LEFT TAILLAMP SHOWING WIRING)

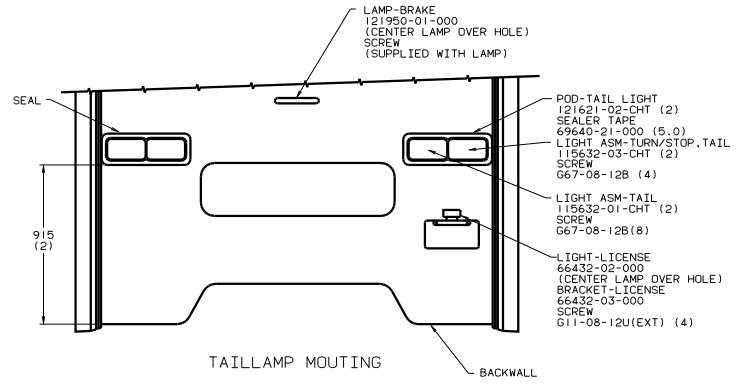
(REAR VIEW OF RIGHT TAILLAMP SHOWING WIRING)

TAILLAMP WIRING



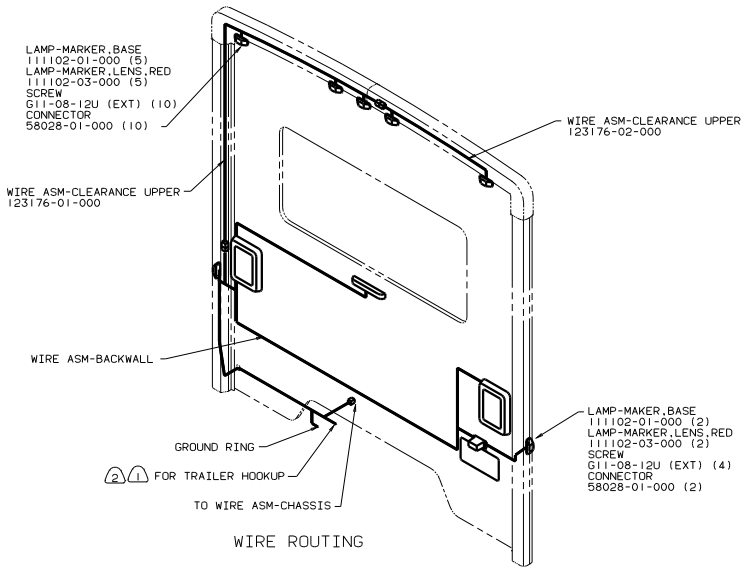
TAILLAMP MOUNTING

BACKWALL

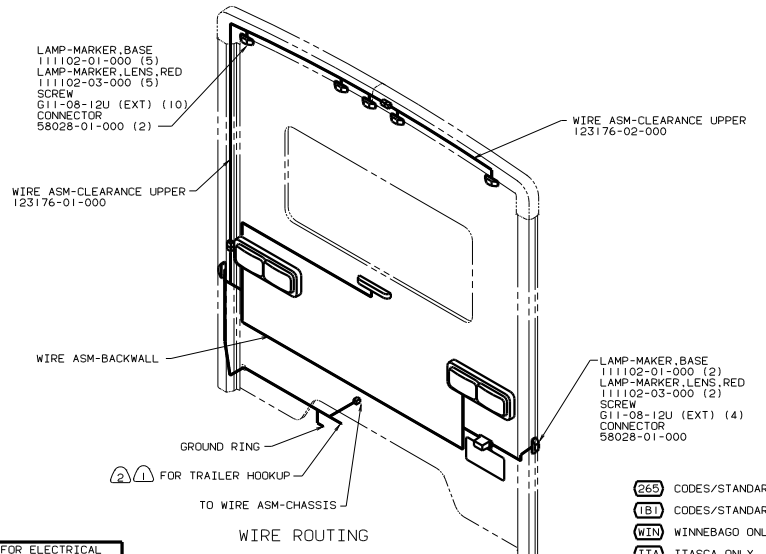


TAILLAMP MOUNTING

BACKWALL



WIRE ROUTING



WIRE ROUTING

- (2) CONNECTOR-PLUG, TRAILER 113589-01-000 TO BE SUPPLIED LOOSE IN COACH WITH TRAILER TOWING PACKAGE.
- (1) TAPE BRANCH BACK ALONG WIRE ASM WITH TAPE 8363-01-000.

(WIN)

FOR ELECTRICAL TORQUE SPECIFICATIONS SEE DWG NO. 128783-01-000

(ITA)

- (265) CODES/STANDARDS-CSA/CMVSS
- (IB1) CODES/STANDARDS USA
- (WIN) WINNEBAGO ONLY
- (ITA) ITASCA ONLY