



**DANGER**

**Danger of electrical shock, burns or death.** Always remove all power sources before attempting any repair, service or diagnostic work. Power can be present from shore power, generator, inverter or battery. All power sources must be disabled and secured before performing any service.

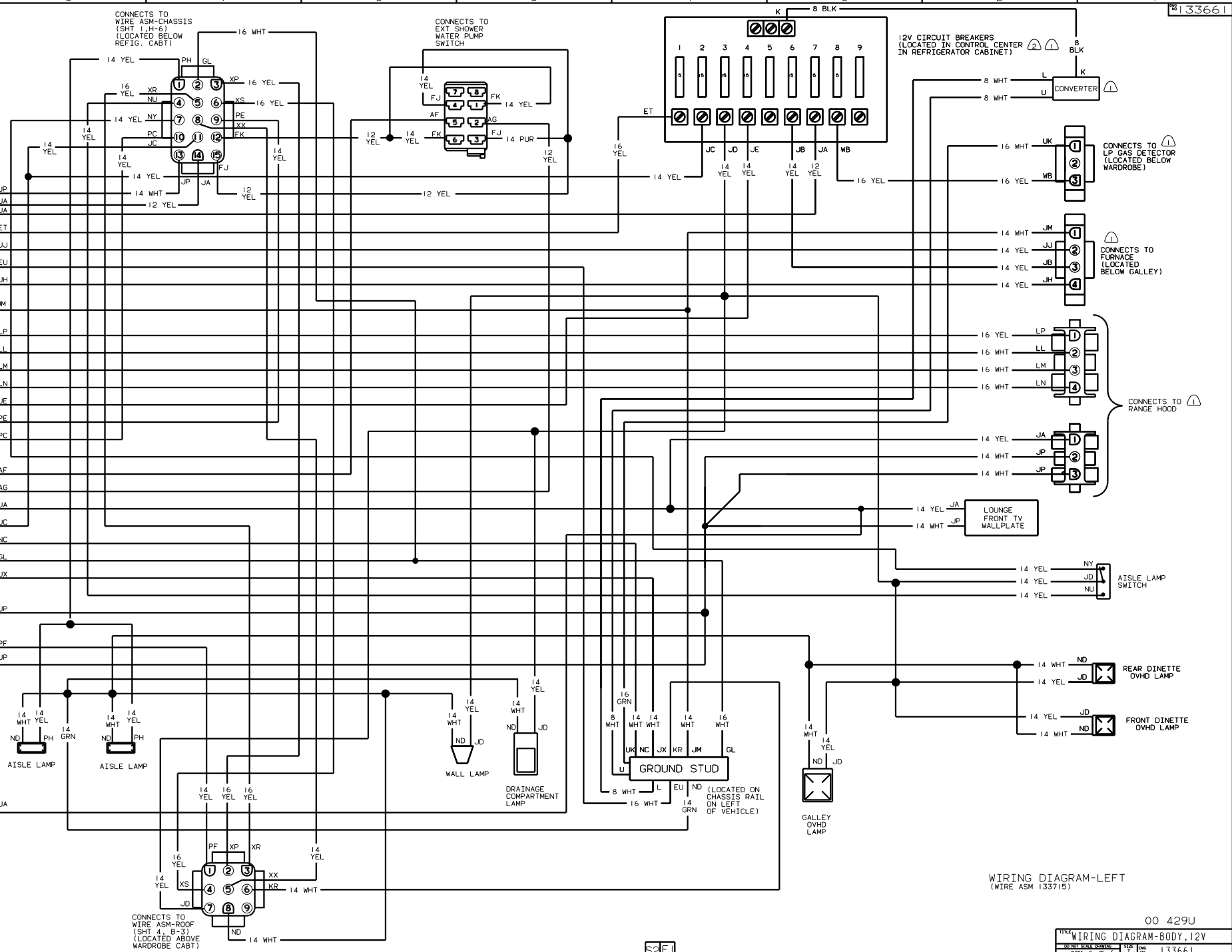


**CAUTION**

If you lack the skills, tools or equipment to perform diagnostic or repair work leave such work to an authorized Winnebago Industries dealer or other qualified shop.





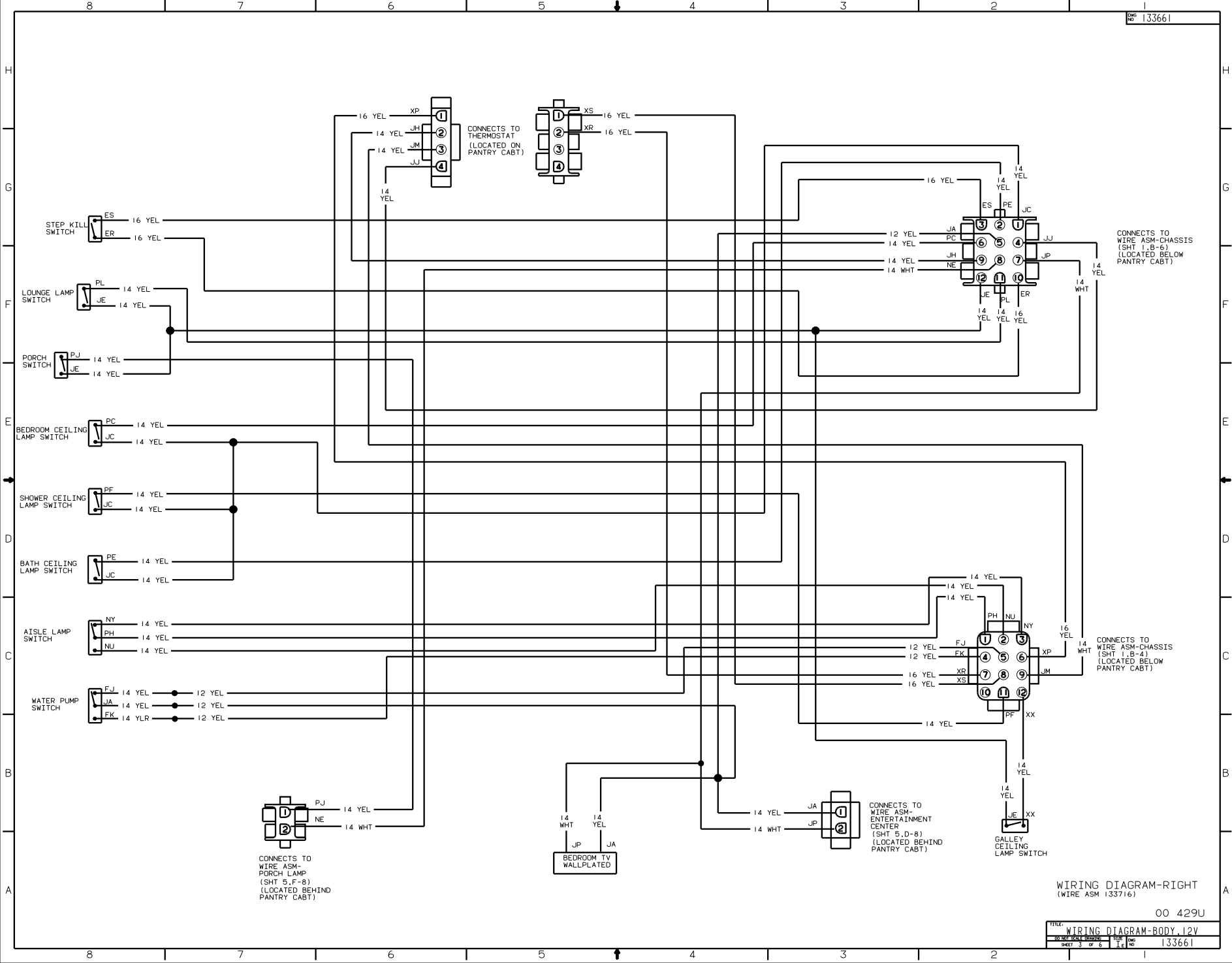


WIRING DIAGRAM-LEFT  
(WIRE ASM 133715)

00 429U

TITLE		WIRING DIAGRAM-BODY, 12V	
DO NOT SCALE DRAWING	DATE	DOC	NO
SHEET 2 OF 6	1/6		133661

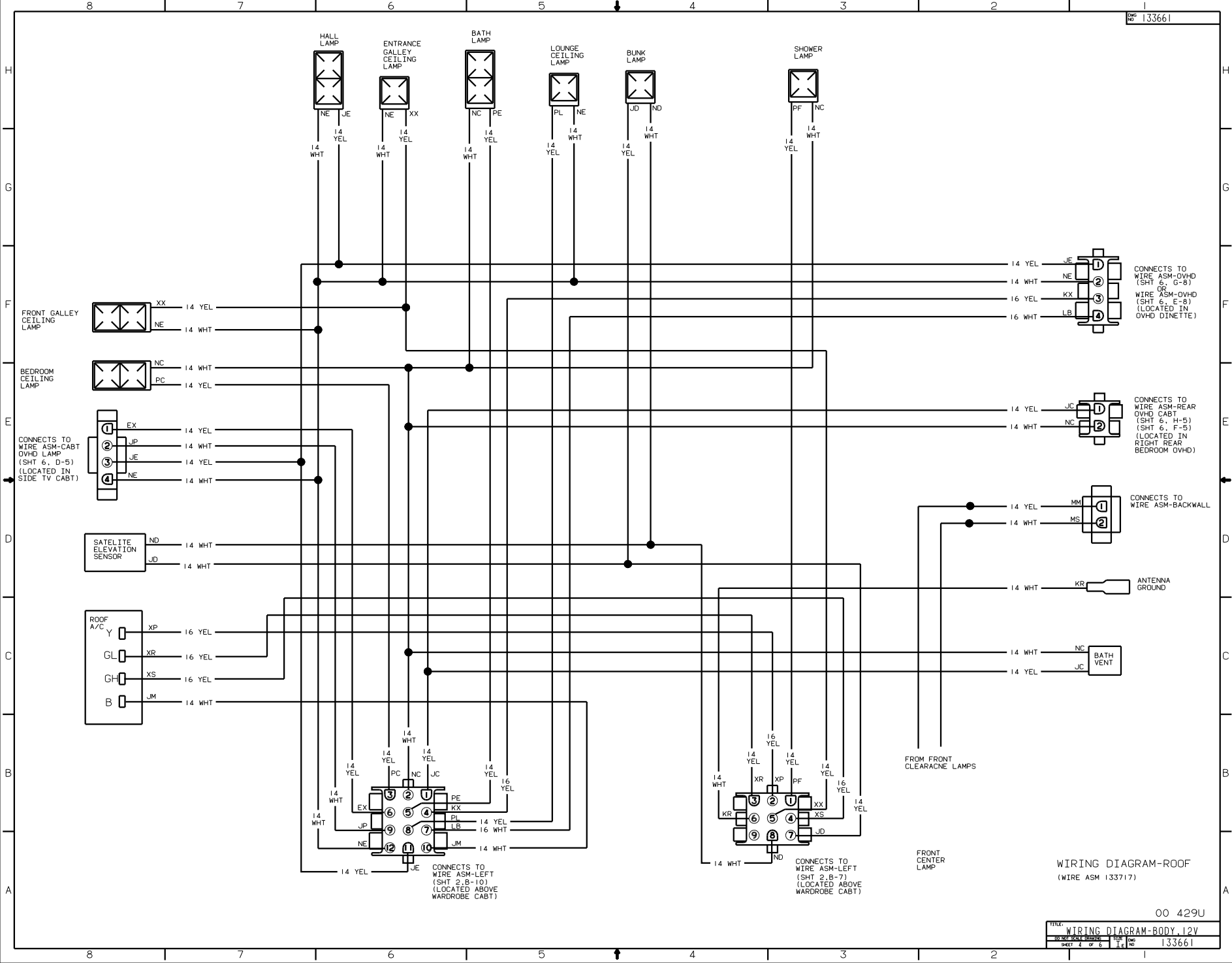




WIRING DIAGRAM-RIGHT (WIRE ASM 133716)

00 429U

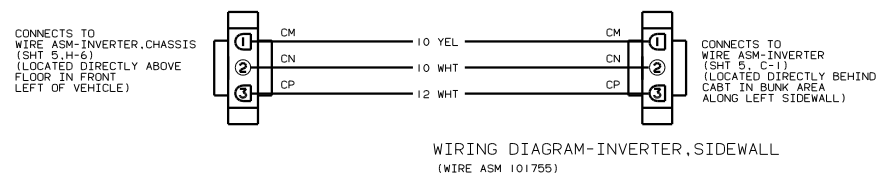
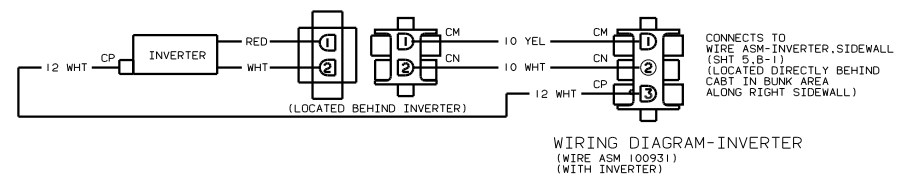
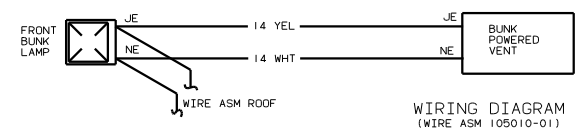
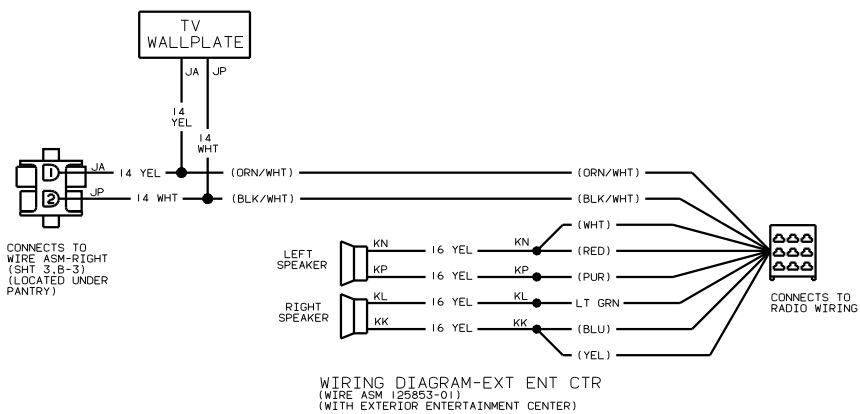
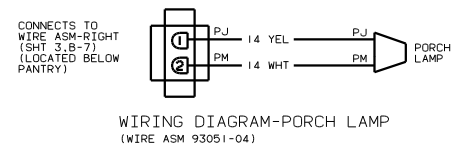
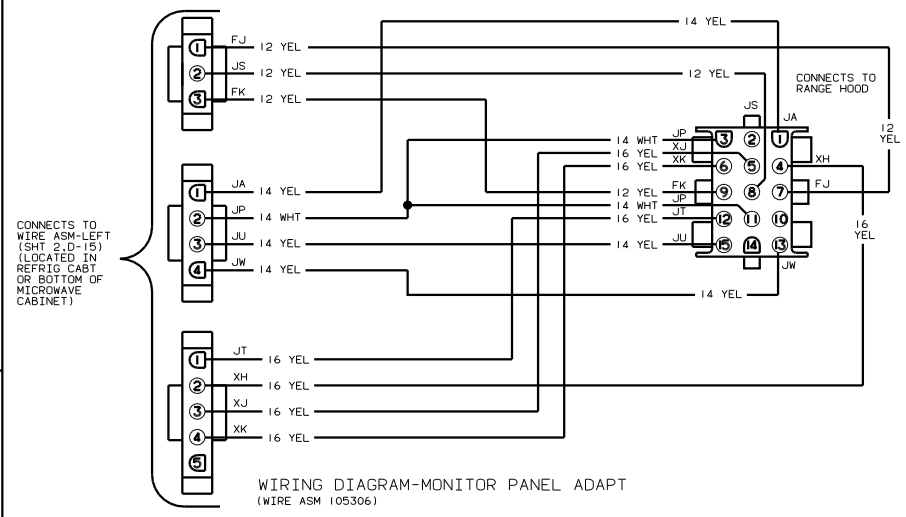
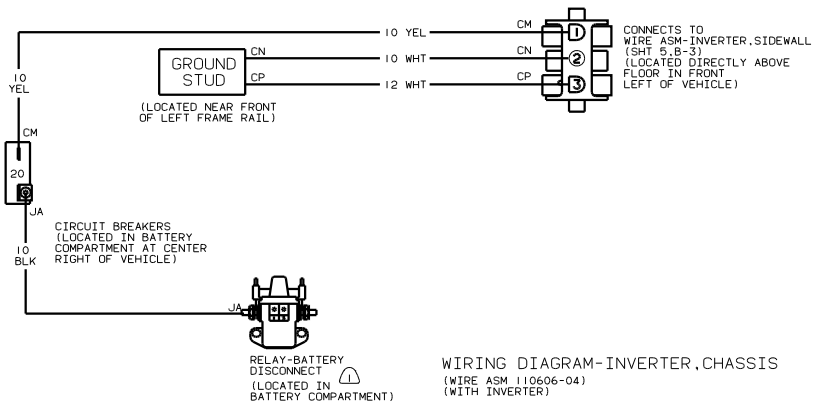
TITLE: WIRING DIAGRAM-BODY_12V	
NO. OF SHEETS: 6	SHEET NO: 3
DATE: 1.6	REV: 1
133661	



WIRING DIAGRAM-ROOF (WIRE ASM 133717)

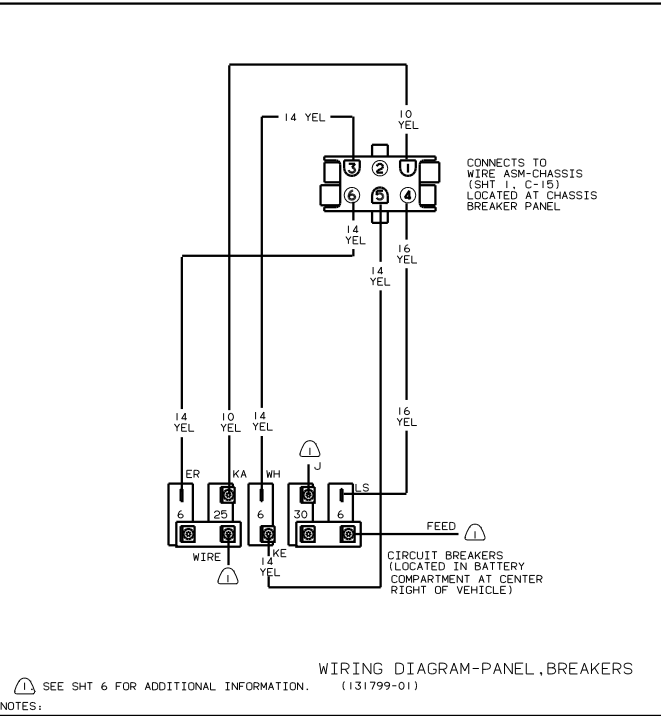
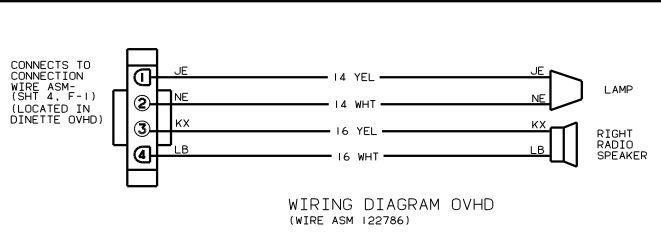
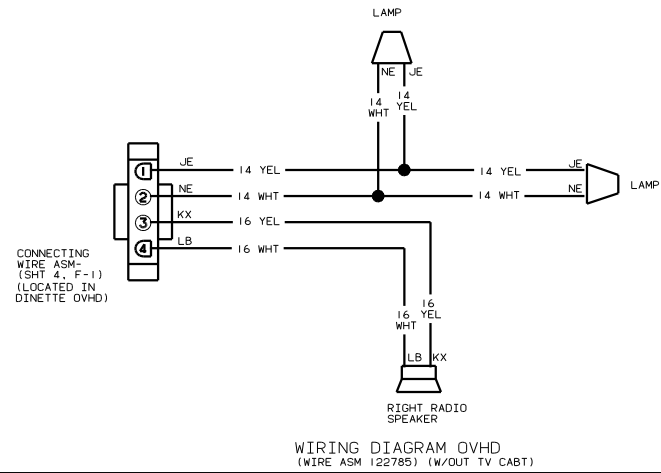
00 429U

TITLE: WIRING DIAGRAM-BODY_12V	
NO. OF SHEETS: 6	SHEET NO. 4 OF 6
DATE: 1.6	REV. NO. 133661



SEE SHT 1 FOR ADDITIONAL INFORMATION.





NOTES: SEE SHT 6 FOR ADDITIONAL INFORMATION.

