



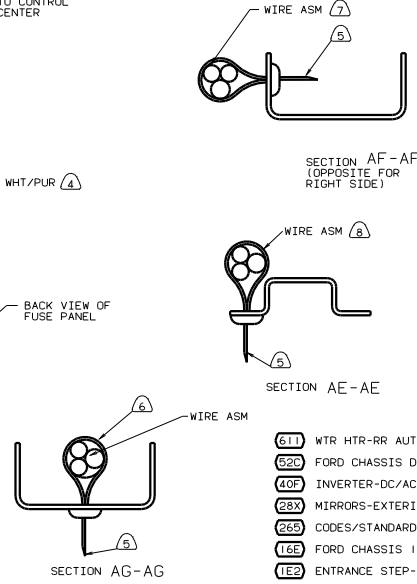
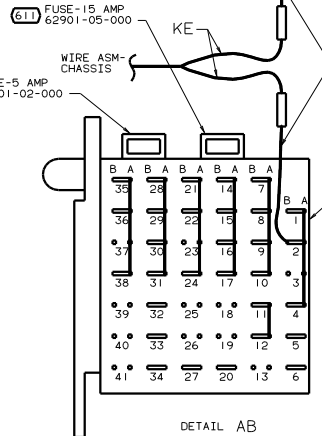
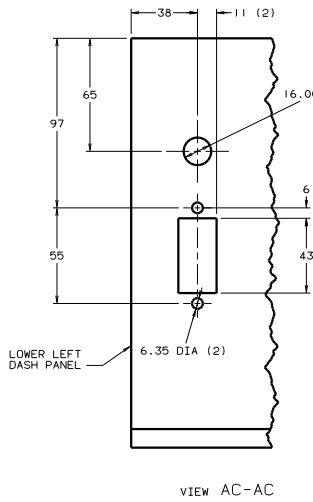
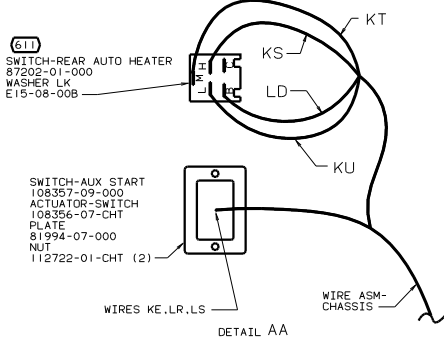
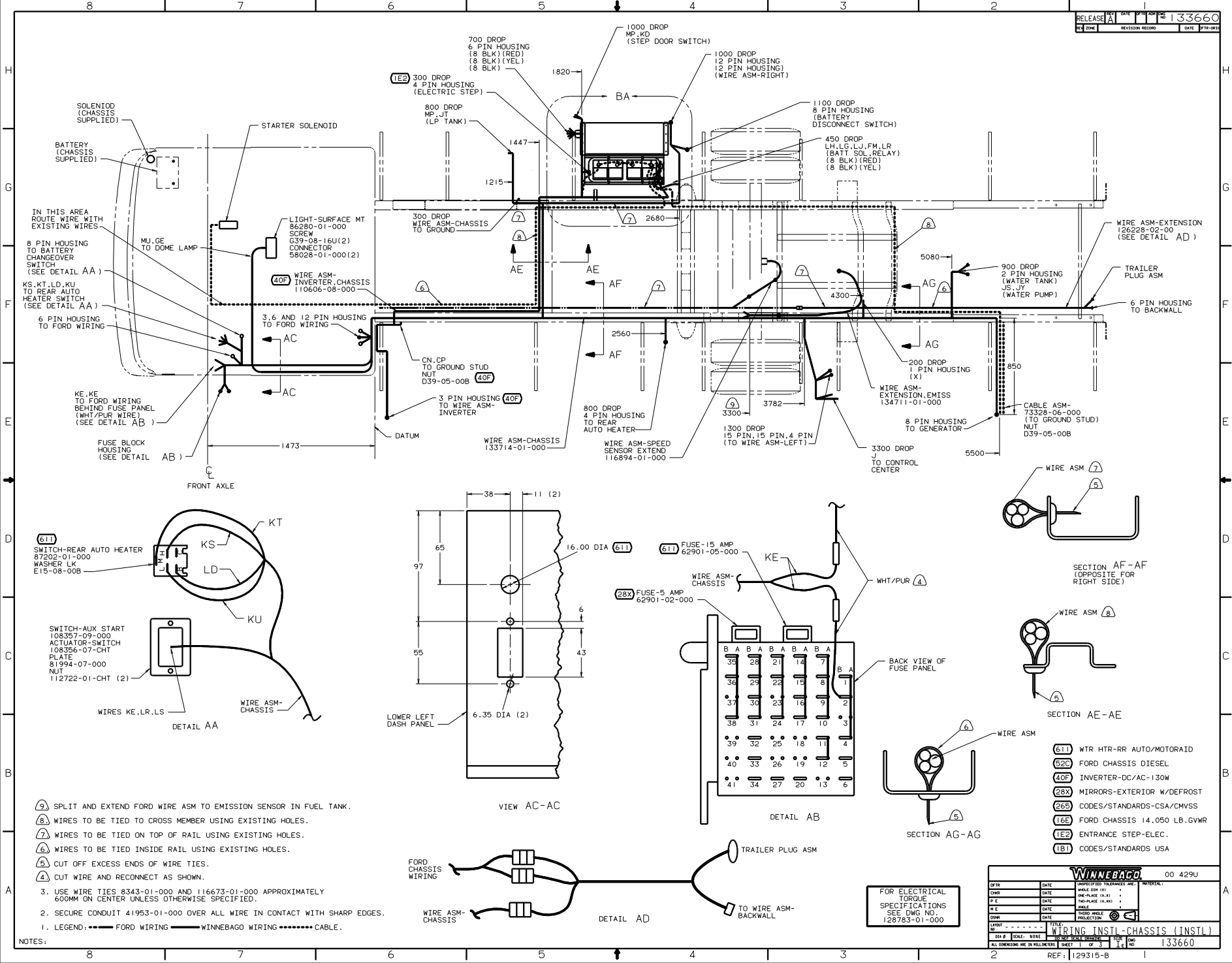
DANGER

Danger of electrical shock, burns or death. Always remove all power sources before attempting any repair, service or diagnostic work. Power can be present from shore power, generator, inverter or battery. All power sources must be disabled and secured before performing any service.



CAUTION

If you lack the skills, tools or equipment to perform diagnostic or repair work leave such work to an authorized Winnebago Industries dealer or other qualified shop.

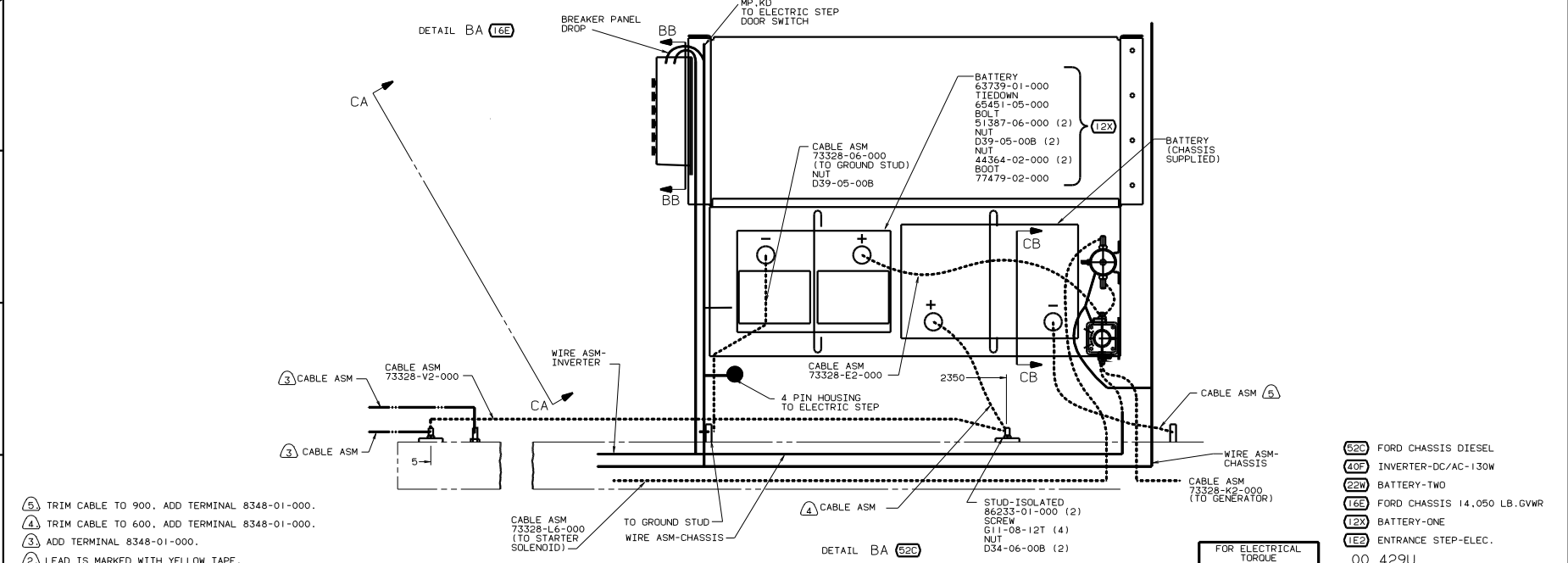
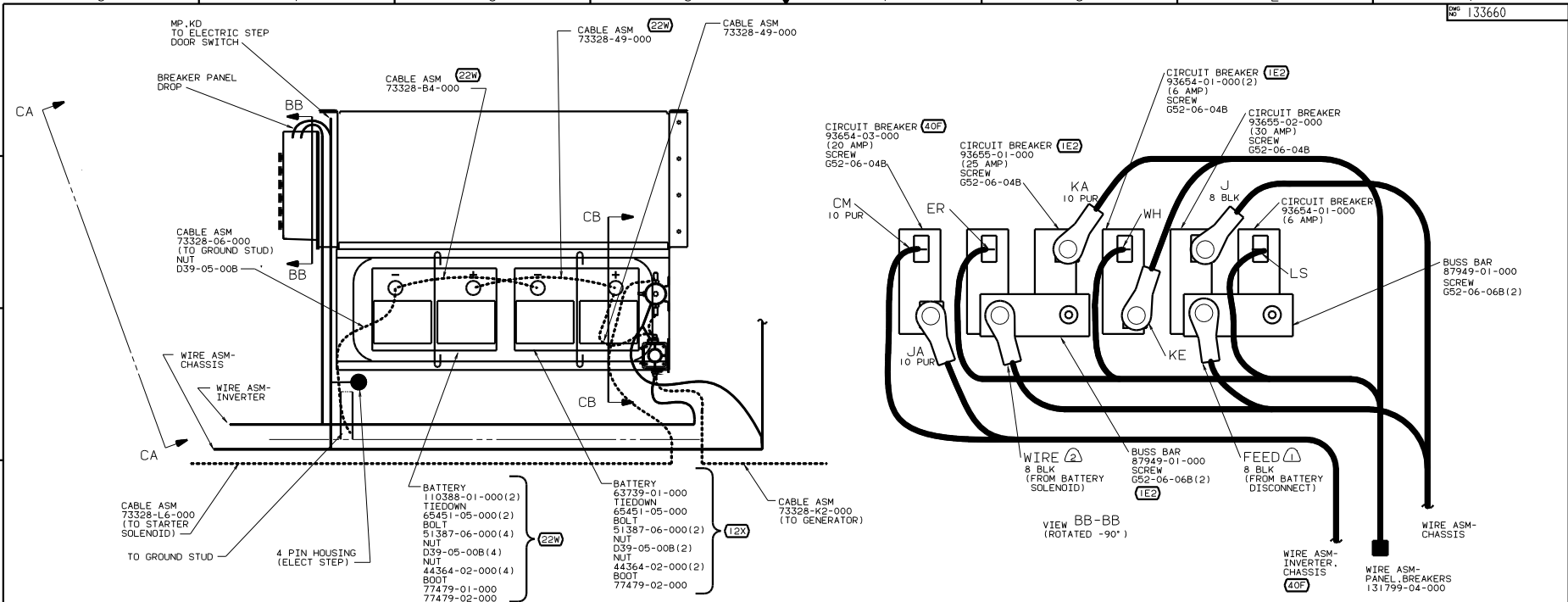


3. USE WIRE TIES 8343-01-000 AND 116673-01-000 APPROXIMATELY 600MM ON CENTER UNLESS OTHERWISE SPECIFIED.
 2. SECURE CONDUIT 41953-01-000 OVER ALL WIRE IN CONTACT WITH SHARP EDGES.
 1. LEGEND: - - - - - FORD WIRING - - - - - WINNEBAGO WIRING CABLE.

FOR ELECTRICAL TORQUE SPECIFICATIONS SEE DWG NO. 126783-01-000

- 611 WTR HTR-RR AUTO/MOTORAID
- 520 FORD CHASSIS DIESEL
- 40F INVERTER-DC/AC-130W
- 28X MIRRORS-EXTERIOR W/DEFROST
- 265 CODES/STANDARDS-CSA/CMVSS
- 16E FORD CHASSIS 14,050 LB. GVWR
- 1E2 ENTRANCE STEP-ELEC.
- 1B1 CODES/STANDARDS USA

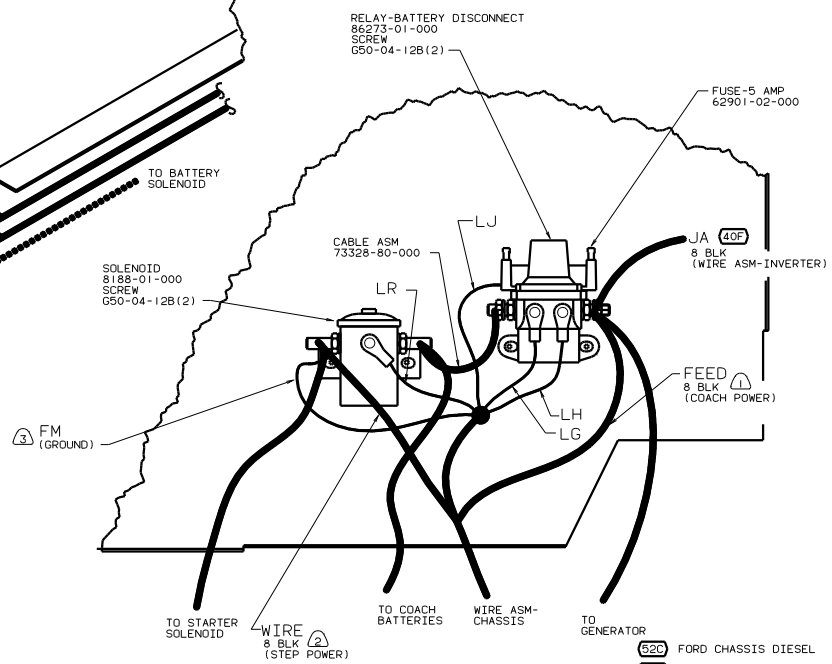
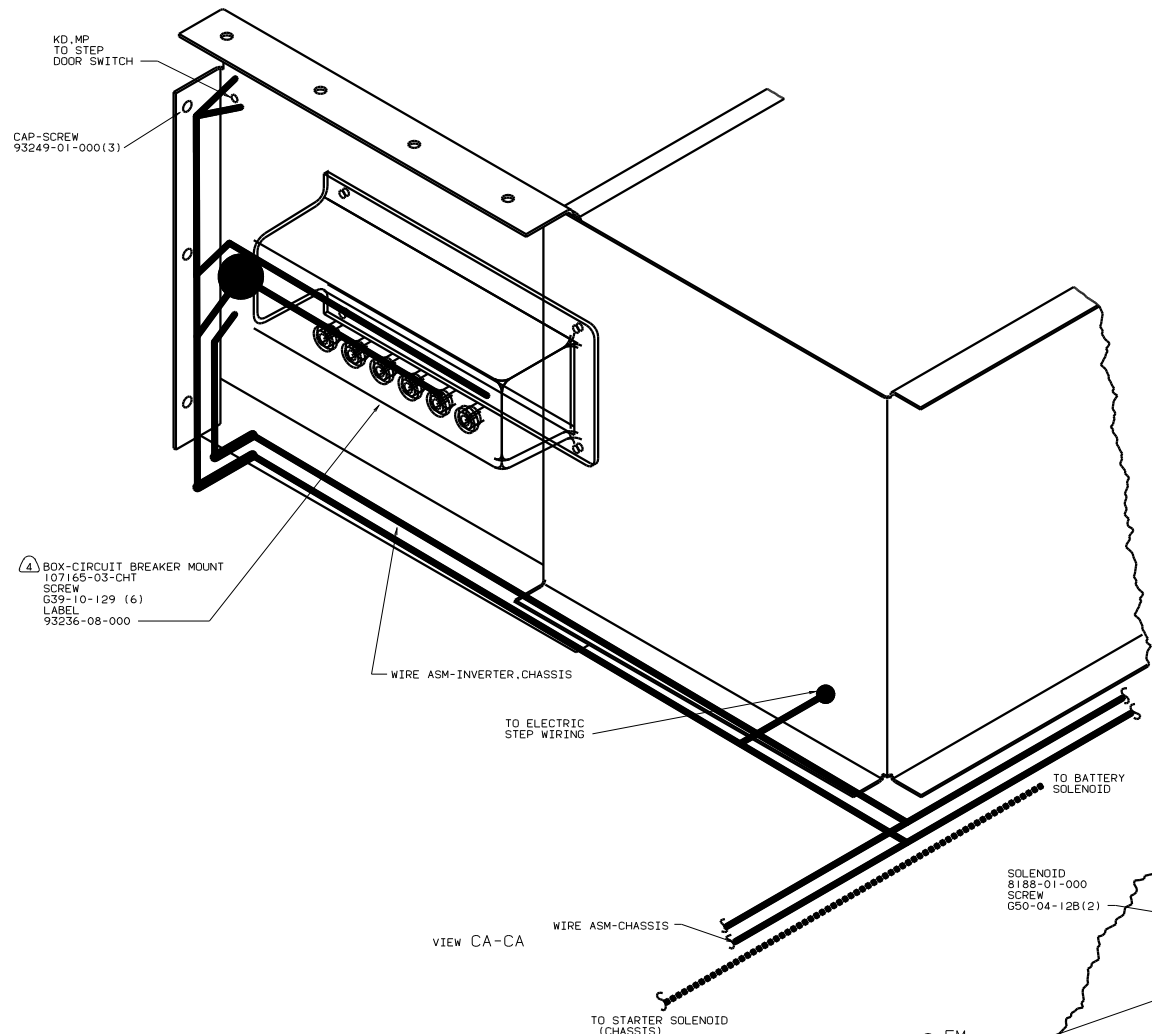
WINNEBAGO 00 429U			
DATE	UNSPECIFIED TOLERANCES ARE:	MATERIAL:	
DATE	WHOLE OR .01	DATE	ONE-PLACE (1X.01)
DATE	FRACTIONAL (1X.001)	DATE	TWO-PLACE (1X.0001)
DATE	ANGLES	DATE	THREE-PLACE (1X.00001)
DATE	THIRD ANGLE PROJECTION	DATE	UNLESS OTHERWISE SPECIFIED
DATE	DATE	DATE	DATE
DATE	DATE	DATE	DATE
DATE	DATE	DATE	DATE
DATE	DATE	DATE	DATE
DATE	DATE	DATE	DATE
DATE	DATE	DATE	DATE



- 5 TRIM CABLE TO 900. ADD TERMINAL 8348-01-000.
- 4 TRIM CABLE TO 600. ADD TERMINAL 8348-01-000.
- 3 ADD TERMINAL 8348-01-000.
- 2 LEAD IS MARKED WITH YELLOW TAPE.
- 1 LEAD IS MARKED WITH RED TAPE.

- 52C FORD CHASSIS DIESEL
- 40F INVERTER-DC/AC-130W
- 22W BATTERY-TWO
- 1E6 FORD CHASSIS 14,050 LB.GVWR
- 12X BATTERY-ONE
- 1E2 ENTRANCE STEP-ELEC.

FOR ELECTRICAL TORQUE SPECIFICATIONS SEE DWG NO. 128783-01-000



- NOTES:
- ④ LOCATE BOX VERTICALLY BY CENTERING ON THE MOUNTING PLATE.
 - ③ SECURE WITH SOLENOID MOUNTING SCREW.
 - ② LEAD IS MARKED WITH YELLOW TAPE.
 - ① LEAD IS MARKED WITH RED TAPE.

FOR ELECTRICAL TORQUE SPECIFICATIONS SEE DWG NO. 128783-01-000

52C	FORD CHASSIS DIESEL
40F	INVERTER-DC/AC-130W
16E	FORD CHASSIS 14,050 LB. GVWR
00 429U	
TITLE: WIRING INSTL-CHASSIS(RELAYS)	
NO. OF SHEETS	TOTAL SHEETS
SHEET 3 OF 3	16
133660	