



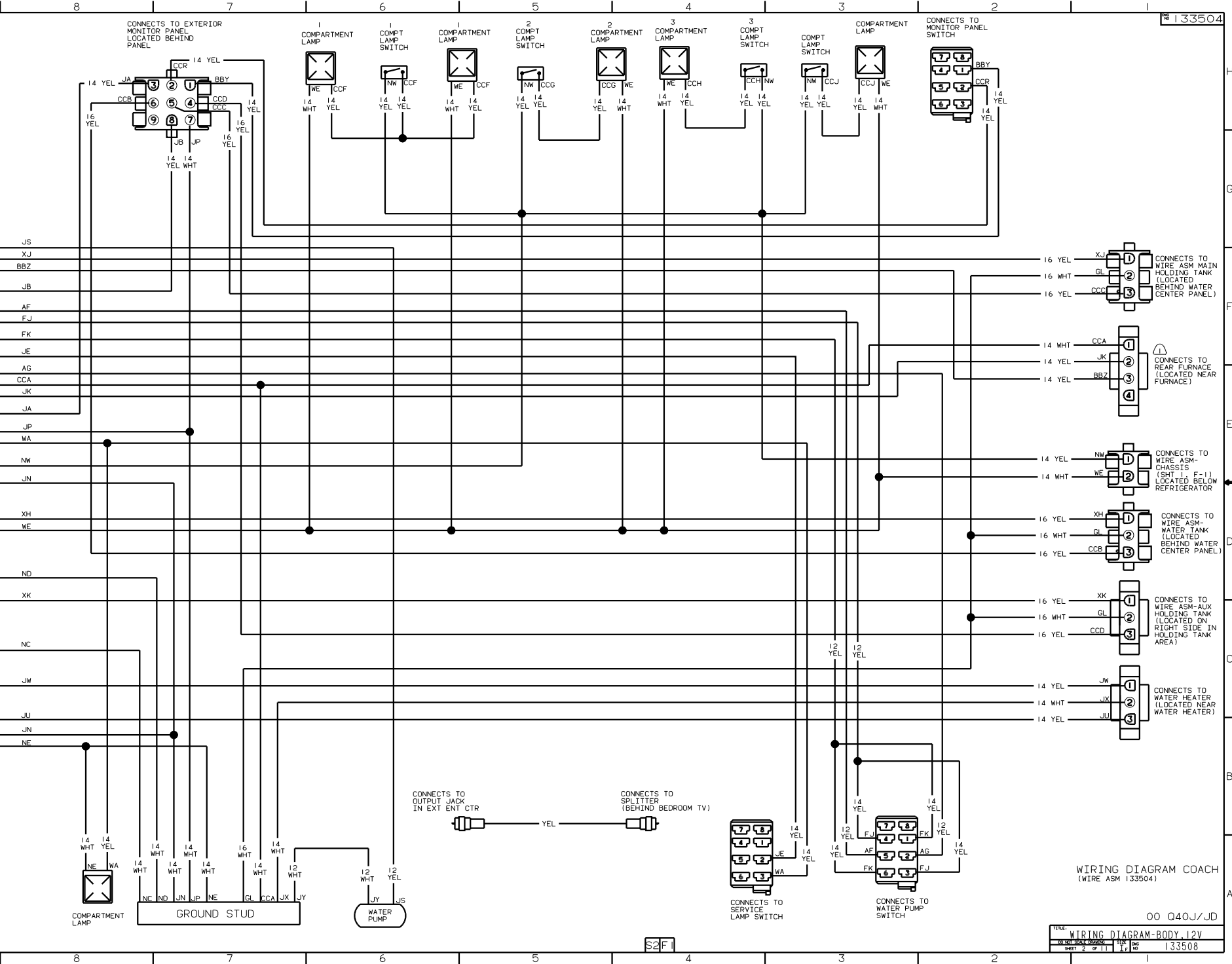
DANGER

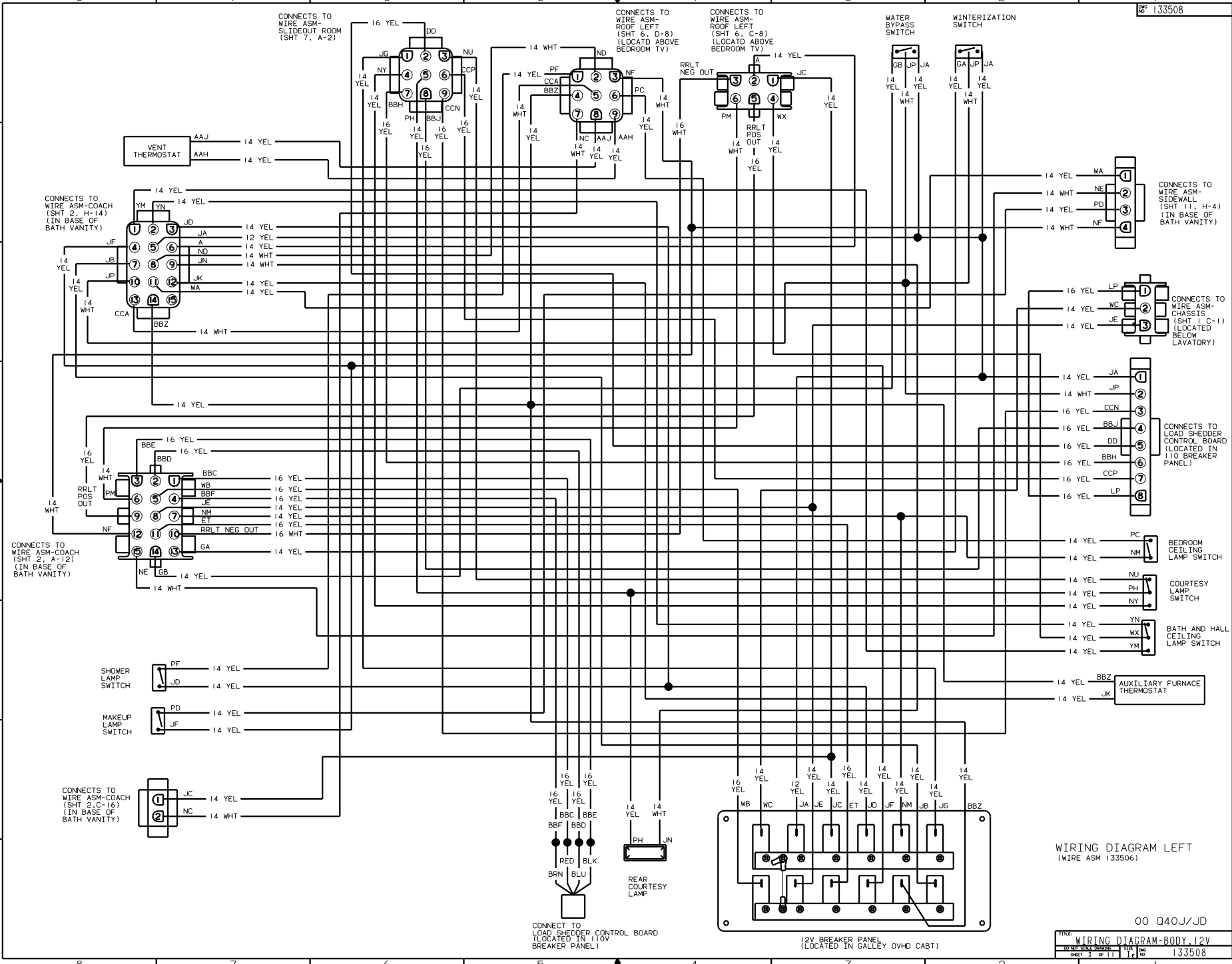
Danger of electrical shock, burns or death. Always remove all power sources before attempting any repair, service or diagnostic work. Power can be present from shore power, generator, inverter or battery. All power sources must be disabled and secured before performing any service.



CAUTION

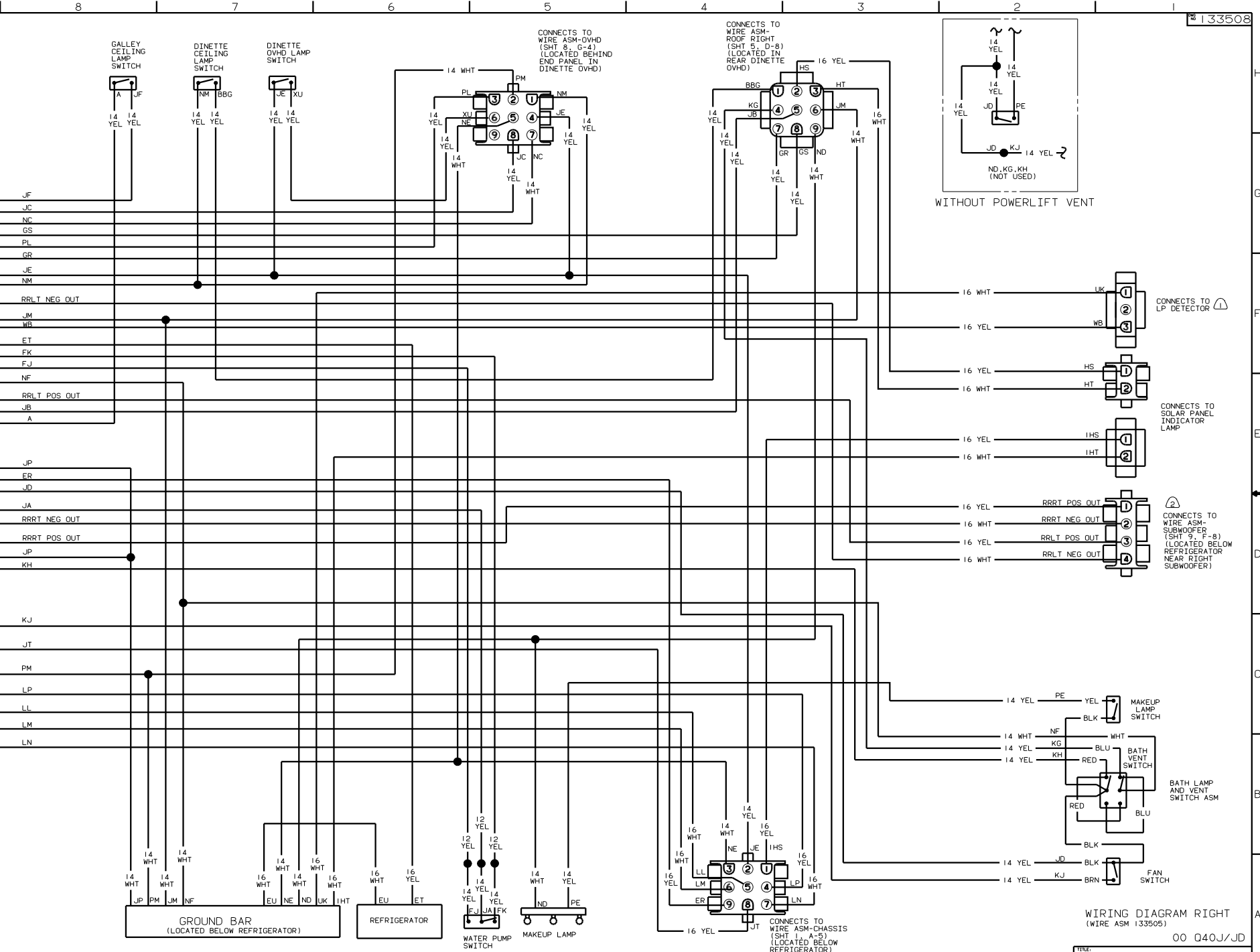
If you lack the skills, tools or equipment to perform diagnostic or repair work leave such work to an authorized Winnebago Industries dealer or other qualified shop.



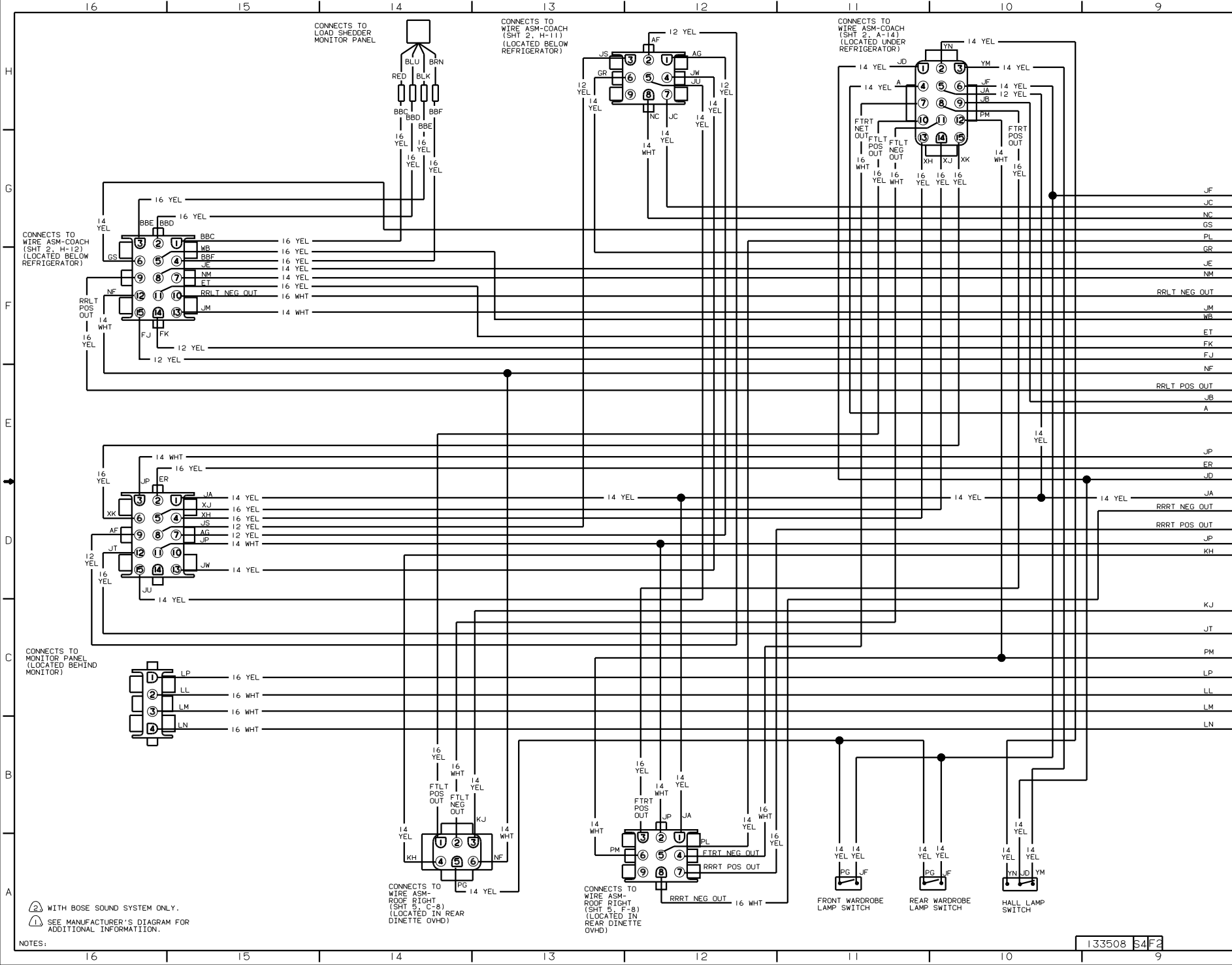


WIRING DIAGRAM LEFT (WIRE ASM 133506)

00 Q40J/JD



S4F1



CONNECTS TO WIRE ASM-COACH (SHT 2, H-12) (LOCATED BELOW REFRIGERATOR)

CONNECTS TO LOAD SHEDDER MONITOR PANEL

CONNECTS TO WIRE ASM-COACH (SHT 2, H-11) (LOCATED BELOW REFRIGERATOR)

CONNECTS TO WIRE ASM-COACH (SHT 2, A-14) (LOCATED UNDER REFRIGERATOR)

CONNECTS TO MONITOR PANEL (LOCATED BEHIND MONITOR)

CONNECTS TO WIRE ASM-ROOF RIGHT (SHT 5, C-8) (LOCATED IN REAR DINETTE OVHD)

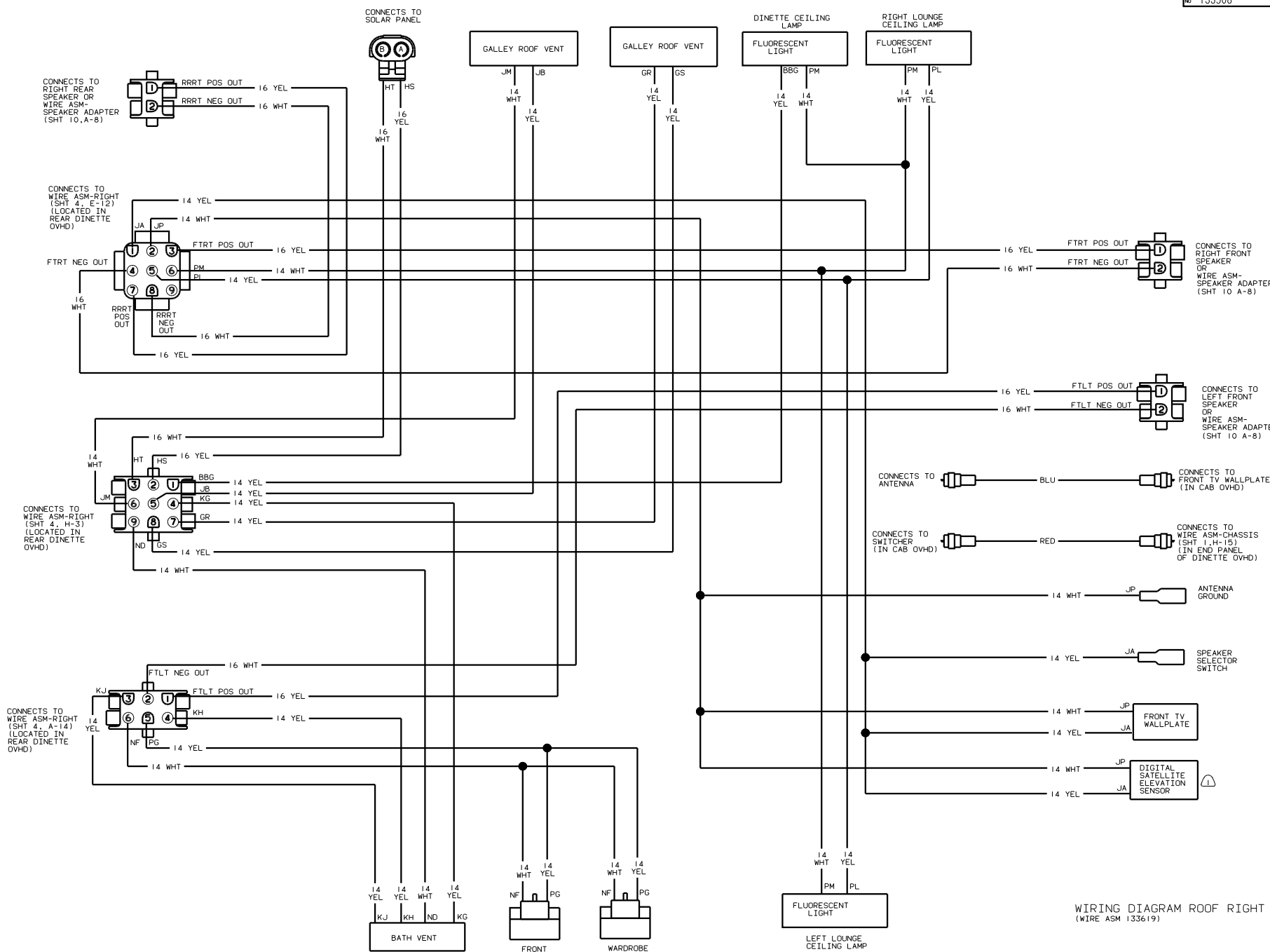
CONNECTS TO WIRE ASM-ROOF RIGHT (SHT 9, F-8) (LOCATED IN REAR DINETTE OVHD)

FRONT WARDROBE LAMP SWITCH

REAR WARDROBE LAMP SWITCH

HALL LAMP SWITCH

NOTES:
 (2) WITH BOSE SOUND SYSTEM ONLY.
 SEE MANUFACTURER'S DIAGRAM FOR ADDITIONAL INFORMATION.

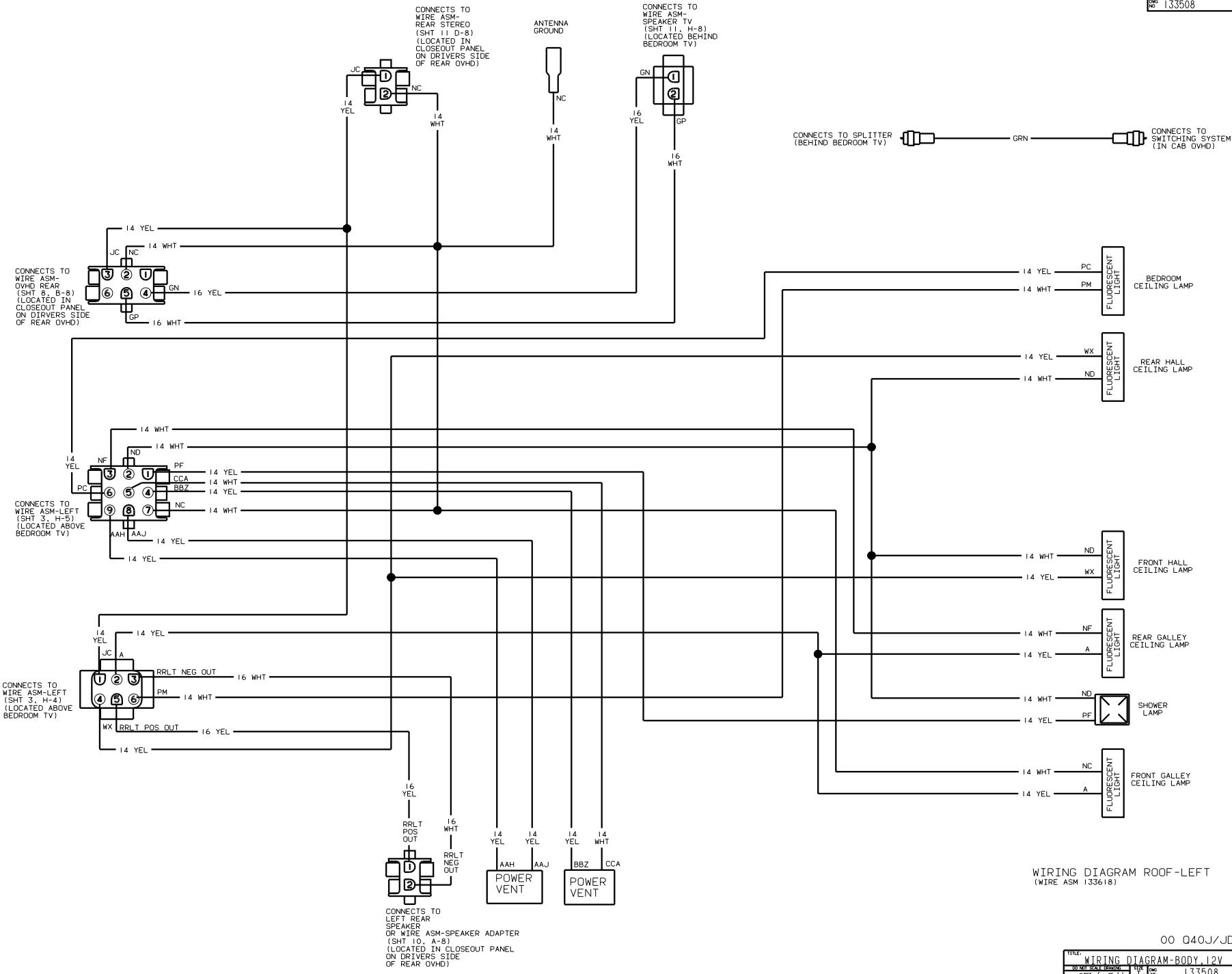


WIRING DIAGRAM ROOF RIGHT
(WIRE ASM 133619)

00 Q40J/JD

TITLE: WIRING DIAGRAM-BODY 12V	
NO. OF SHEETS: 5	SHEET NO. 5 OF 5
DATE: 1/6	REV. NO. 133508

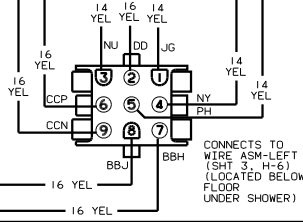
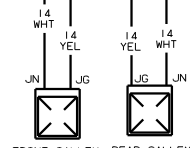
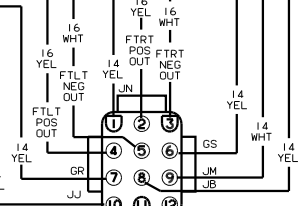
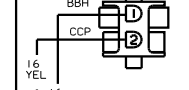
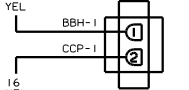
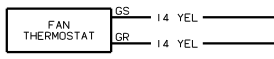
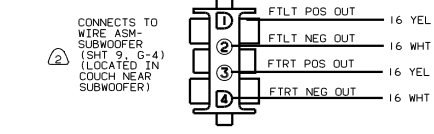
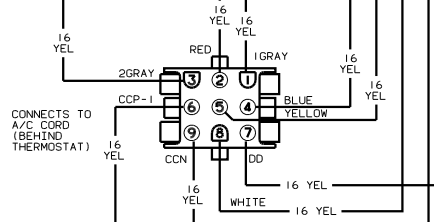
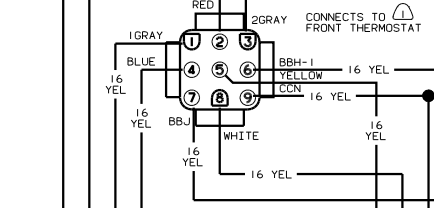
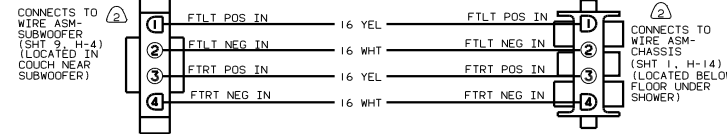
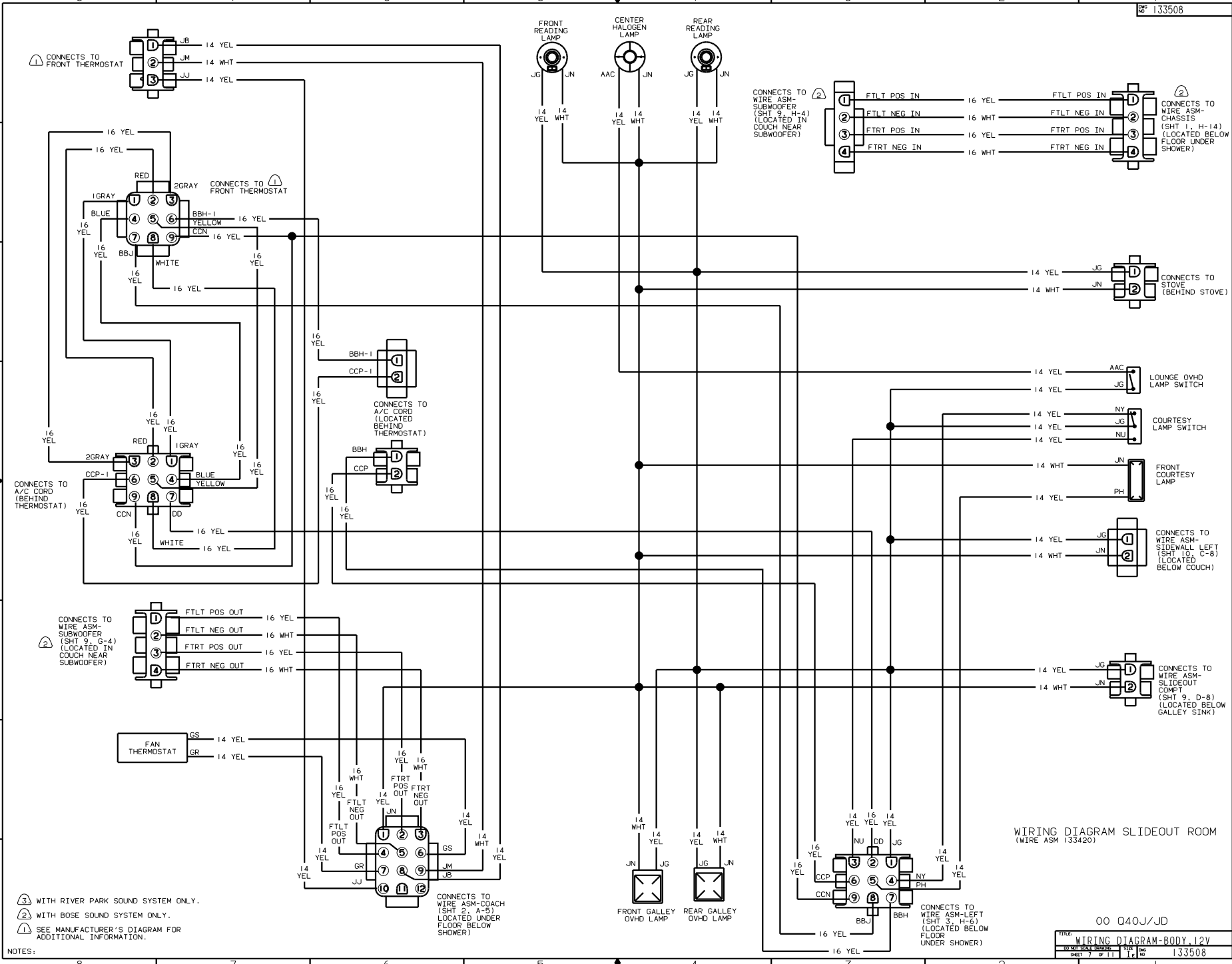
NOTES:
SEE MANUFACTURER'S DIAGRAM FOR ADDITIONAL INFORMATION.



WIRING DIAGRAM ROOF-LEFT (WIRE ASM 133618)

00 Q40J/JD

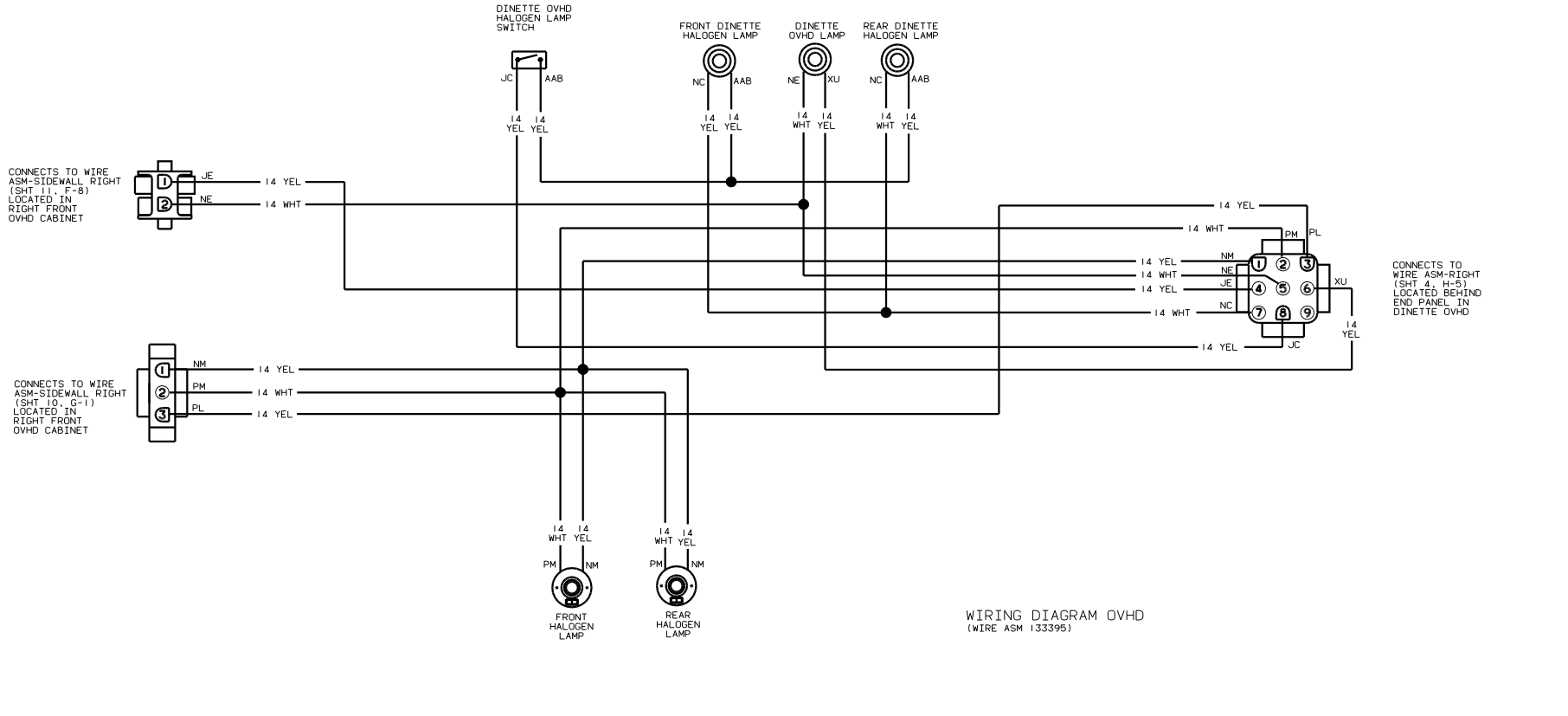
TITLE: WIRING DIAGRAM-BODY_12V	
DO NOT SCALE DRAWING	DATE
SHEET 6 OF 11	133508



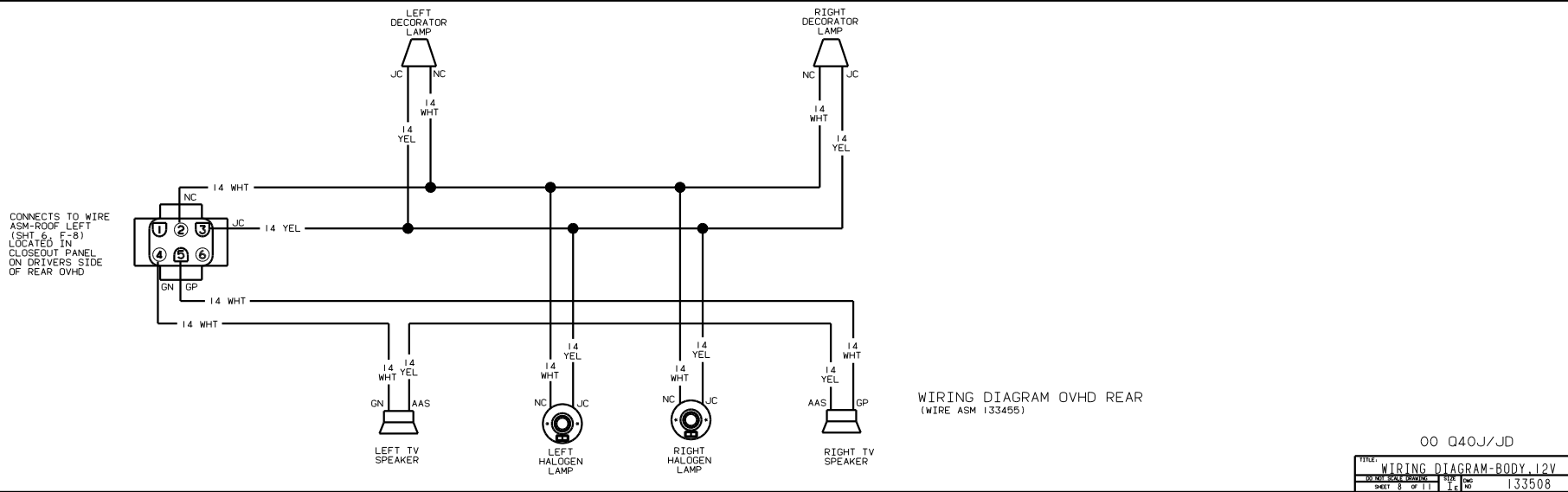
WIRING DIAGRAM SLIDEOUT ROOM (WIRE ASM 133420)

00 Q40J/JD

- NOTES:
- ③ WITH RIVER PARK SOUND SYSTEM ONLY.
 - ② WITH BOSE SOUND SYSTEM ONLY.
 - ① SEE MANUFACTURER'S DIAGRAM FOR ADDITIONAL INFORMATION.

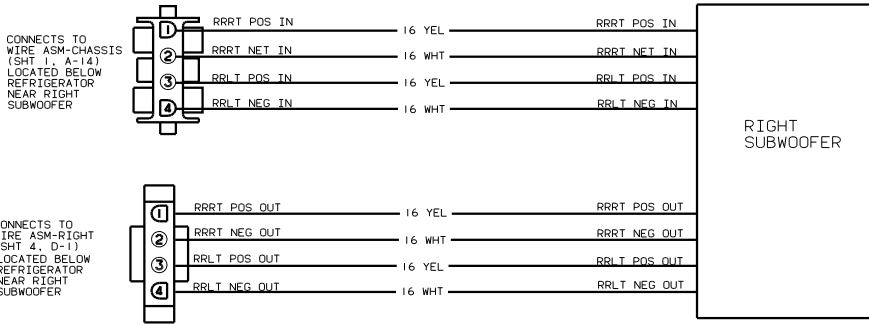


WIRING DIAGRAM OVHD (WIRE ASM 133395)

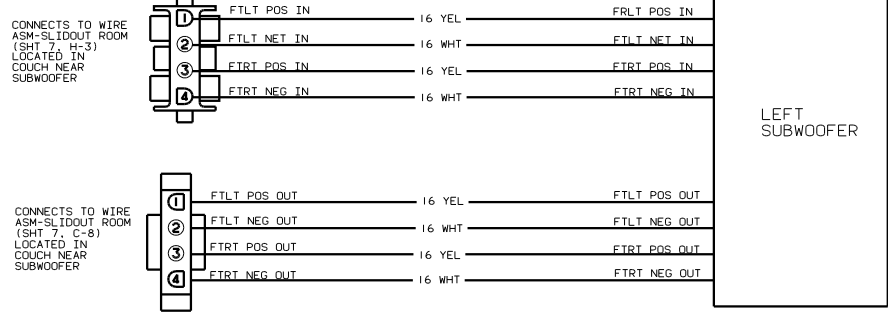


WIRING DIAGRAM OVHD REAR (WIRE ASM 133455)

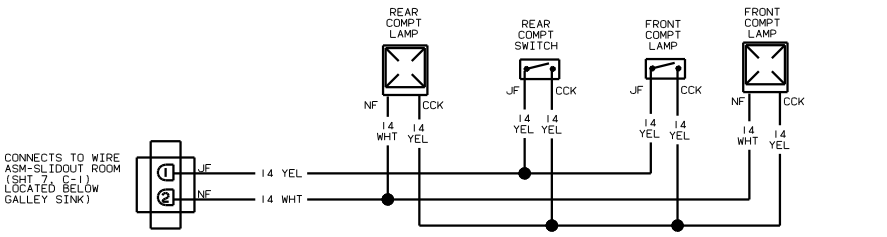
00 Q40J/JD



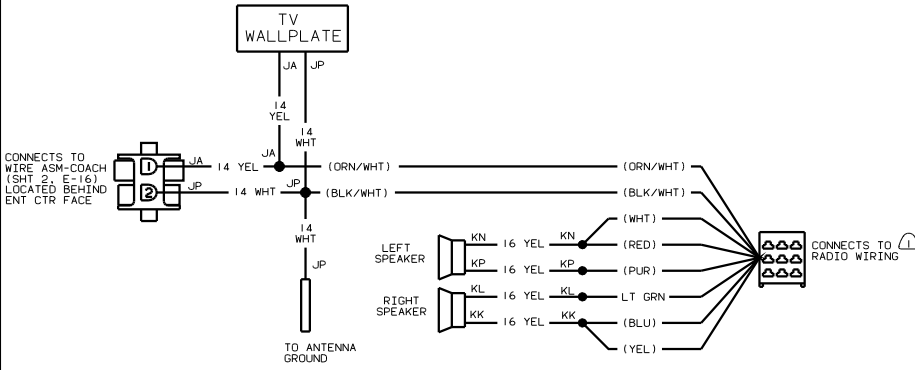
WIRING DIAGRAM SUBWOOFER RIGHT (WIRE ASM 129724) (WITH BOSE SOUND SYSTEM ONLY)



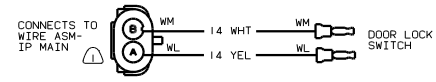
WIRING DIAGRAM SUBWOOFER LEFT (WIRE ASM 129725) (WITH BOSE SOUND SYSTEM ONLY)



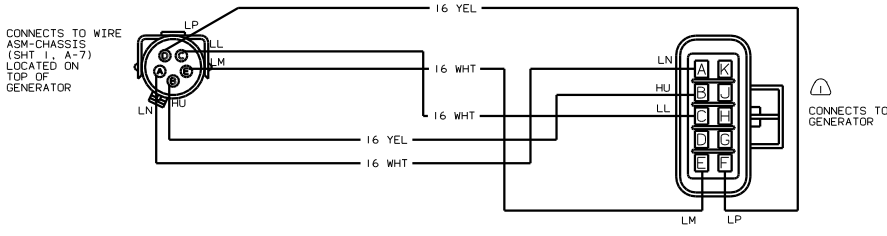
WIRING DIAGRAM COMPT SLIDEOUT (WIRE ASM 130244)



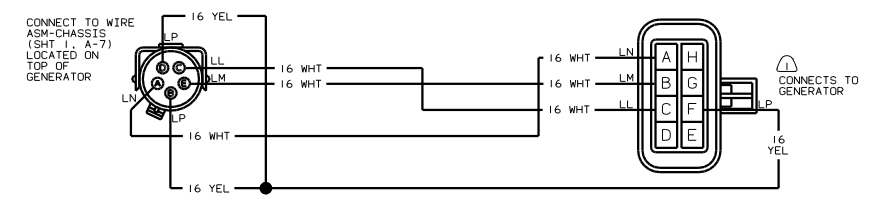
WIRING DIAGRAM-EXT ENT CTR (WIRE ASM 125853-01) (WITH EXTERIOR ENTERTAINMENT CENTER)



WIRING DIAGRAM DOOR LOCK (WIRE ASM 132267)



WIRING DIAGRAM-GEN ADAPTER, DIESEL (WIRE ASM 130332-02) (WITH DIESEL GENERATOR)



WIRING DIAGRAM-GENERATOR ADAPTER, LP (WIRE ASM 130332-01) (WITH LP GENERATOR)

NOTES: SEE MANUFACTURER'S DIAGRAM FOR ADDITIONAL INFORMATION.

