



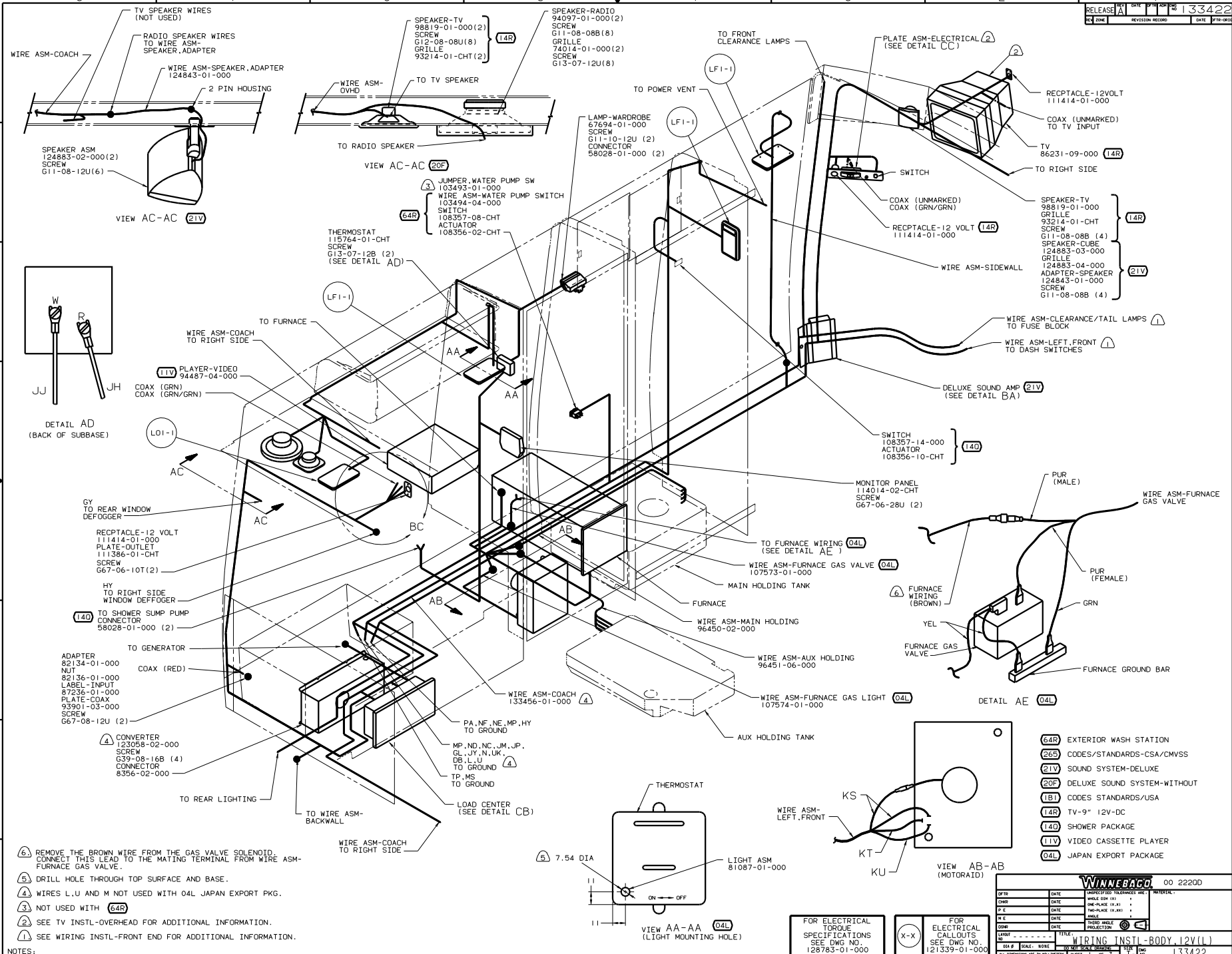
**DANGER**

**Danger of electrical shock, burns or death.** Always remove all power sources before attempting any repair, service or diagnostic work. Power can be present from shore power, generator, inverter or battery. All power sources must be disabled and secured before performing any service.



**CAUTION**

If you lack the skills, tools or equipment to perform diagnostic or repair work leave such work to an authorized Winnebago Industries dealer or other qualified shop.



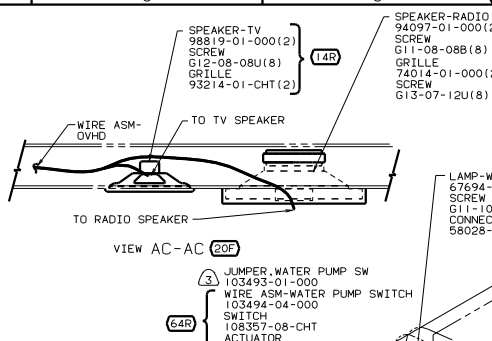
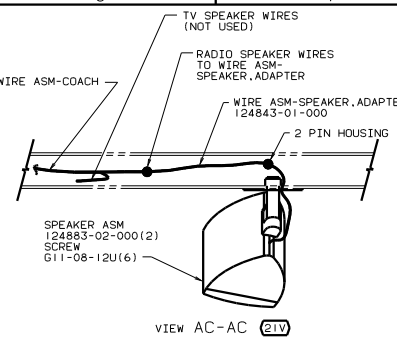
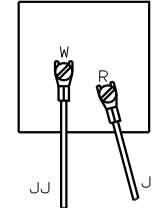
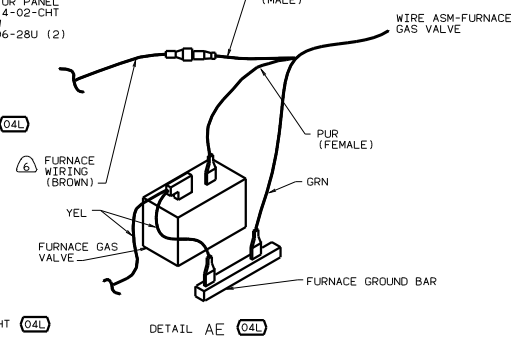
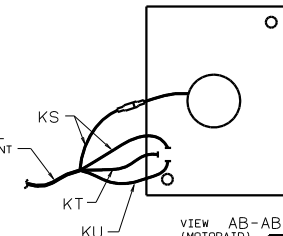
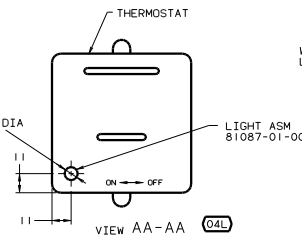
- NOTES:
- ⑥ REMOVE THE BROWN WIRE FROM THE GAS VALVE SOLENOID. CONNECT THIS LEAD TO THE MATING TERMINAL FROM WIRE ASM-FURNACE GAS VALVE.
  - ⑤ DRILL HOLE THROUGH TOP SURFACE AND BASE.
  - ④ WIRES L,U AND M NOT USED WITH 04L JAPAN EXPORT PKG.
  - ③ NOT USED WITH 64R
  - ② SEE TV INSTL-OVERHEAD FOR ADDITIONAL INFORMATION.
  - ① SEE WIRING INSTL-FRONT END FOR ADDITIONAL INFORMATION.

- ⑥4R EXTERIOR WASH STATION
- ②6B CODES/STANDARDS-CSA/CMVSS
- ②1V SOUND SYSTEM-DELUXE
- ②0F DELUXE SOUND SYSTEM-WITHOUT
- ①81 CODES STANDARDS/USA
- ①4R TV-9" 12V-DC
- ①1V SHOWER PACKAGE
- ①1V VIDEO CASSETTE PLAYER
- ①4L JAPAN EXPORT PACKAGE

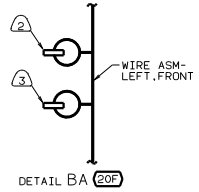
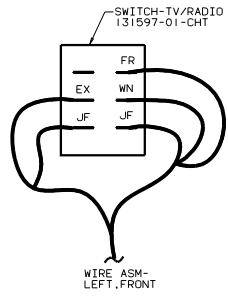
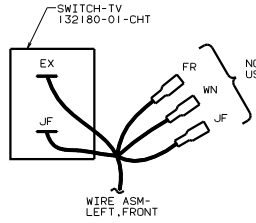
WINNEBAGO				00 22200
QTY	DATE	UNSPECIFIED DIMENSIONS ARE IN INCHES	MATERIAL	
CHP	DATE	ONE-PLACE (19.81)		
REV	DATE	TWO-PLACE (19.80)		
D/E	DATE	MISC.		
CON	DATE	INDU. WASTE PRODUCER		
DRAWING TITLE: WIRING INSTL-BODY, 12V(L) SHEET 1 OF 3 REF: 130479-N				

FOR ELECTRICAL SPECIFICATIONS SEE DWG NO. 128763-01-000

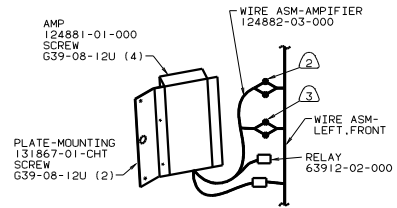
X-X FOR ELECTRICAL CALLOUTS SEE DWG NO. 121339-01-000



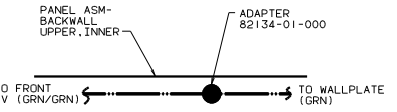
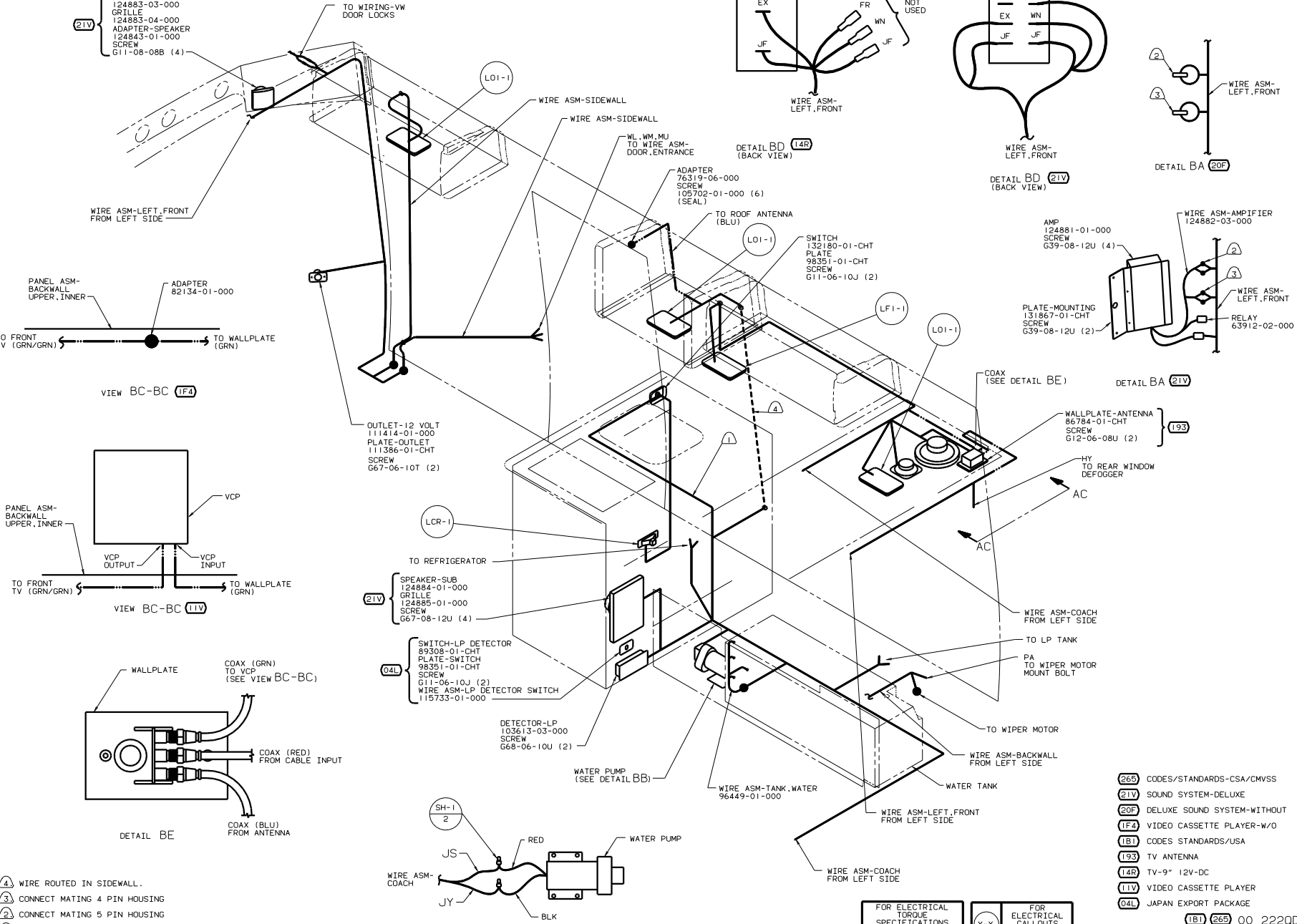
- (14R) SPEAKER-TV 98819-01-00  
GRILLE 93214-01-CHT  
SCREW G11-08-08B (4)
- (21V) SPEAKER-CUBE 124883-03-000  
GRILLE 124883-04-000  
ADAPTER-SPEAKER 124843-01-000  
SCREW G11-08-08B (4)



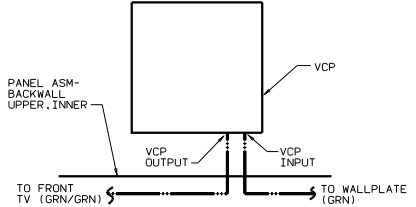
DETAIL BD (21V)



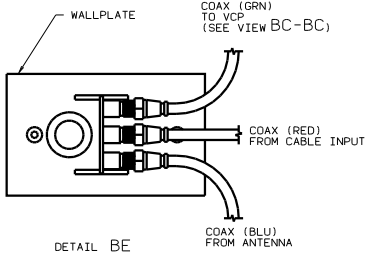
DETAIL BA (21V)



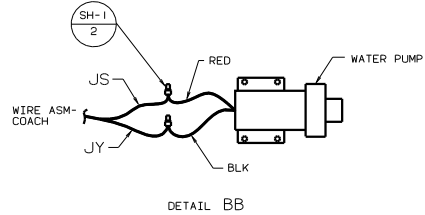
VIEW BC-BC (1F4)



VIEW BC-BC (11V)



DETAIL BE



DETAIL BB

- (4) WIRE ROUTED IN SIDEWALL.
- (3) CONNECT MATING 4 PIN HOUSING
- (2) CONNECT MATING 5 PIN HOUSING
- (1) RUN ALONG TOP STICK OF GALLEY DIVIDER PANEL. CLAMP WITH CABLE TIE 108046-01-000 AND SCREW G67-10-12B APPROX. EVERY 750.

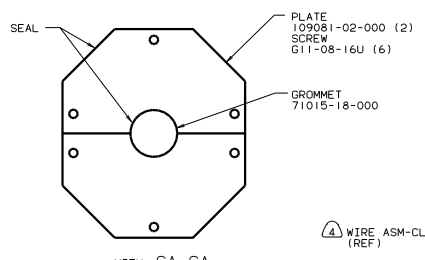
NOTES:

FOR ELECTRICAL TORQUE SPECIFICATIONS SEE DWG NO. 128783-01-000

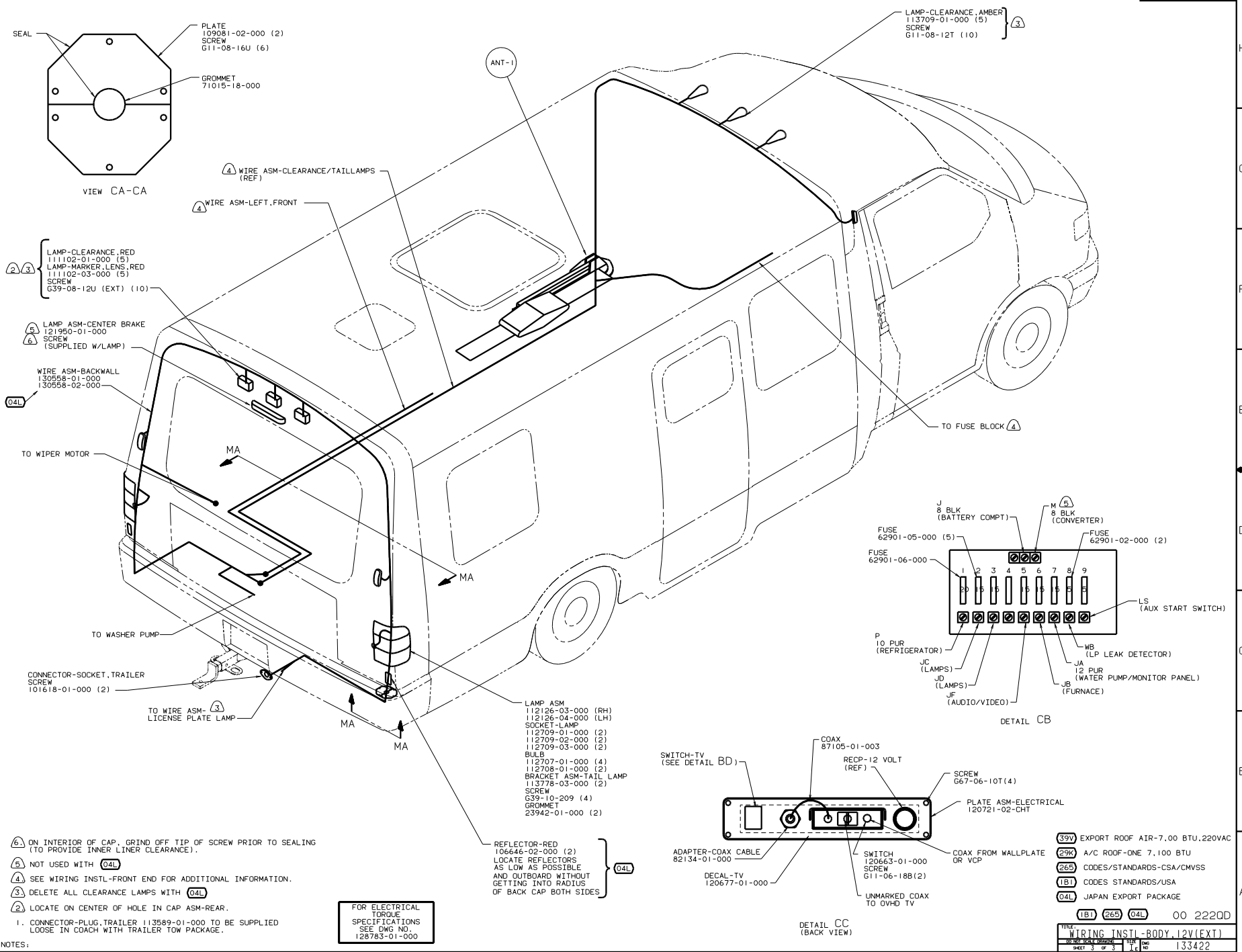
FOR ELECTRICAL CALLOUTS SEE DWG NO. 121339-01-000

- (265) CODES/STANDARDS-CSA/CMVSS
- (21V) SOUND SYSTEM-DELUXE
- (20F) DELUXE SOUND SYSTEM-WITHOUT
- (1F4) VIDEO CASSETTE PLAYER-W/O
- (1B1) CODES STANDARDS/USA
- (193) TV ANTENNA
- (14R) TV-9" 12V-DC
- (11V) VIDEO CASSETTE PLAYER
- (04L) JAPAN EXPORT PACKAGE

(1B1) (265) 00 2220D



VIEW CA-CA



- 6. ON INTERIOR OF CAP, GRIND OFF TIP OF SCREW PRIOR TO SEALING (TO PROVIDE INNER LINER CLEARANCE).
  - 5. NOT USED WITH 04L.
  - 4. SEE WIRING INSTL-FRONT END FOR ADDITIONAL INFORMATION.
  - 3. DELETE ALL CLEARANCE LAMPS WITH 04L.
  - 2. LOCATE ON CENTER OF HOLE IN CAP ASM-REAR.
1. CONNECTOR-PLUG, TRAILER 113589-01-000 TO BE SUPPLIED LOOSE IN COACH WITH TRAILER TOW PACKAGE.

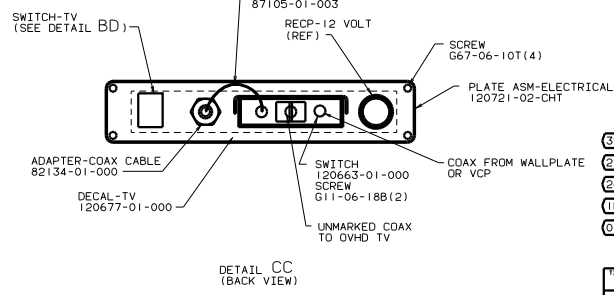
FOR ELECTRICAL TORQUE SPECIFICATIONS SEE DWG NO. 128783-01-000

NOTES:

- 35V EXPORT ROOF AIR-7.00 BTU,220VAC
- 23K A/C ROOF-ONE 7,100 BTU
- 26S CODES/STANDARDS-CSA/CMVSS
- 1B1 CODES STANDARDS/USA
- 04L JAPAN EXPORT PACKAGE
- 1B1 26S 04L 00 2220D

WIRING INSTL-BODY,12V(EXT)  
 SHEET 3 OF 3  
 133422

DETAIL CB



DETAIL CC (BACK VIEW)