



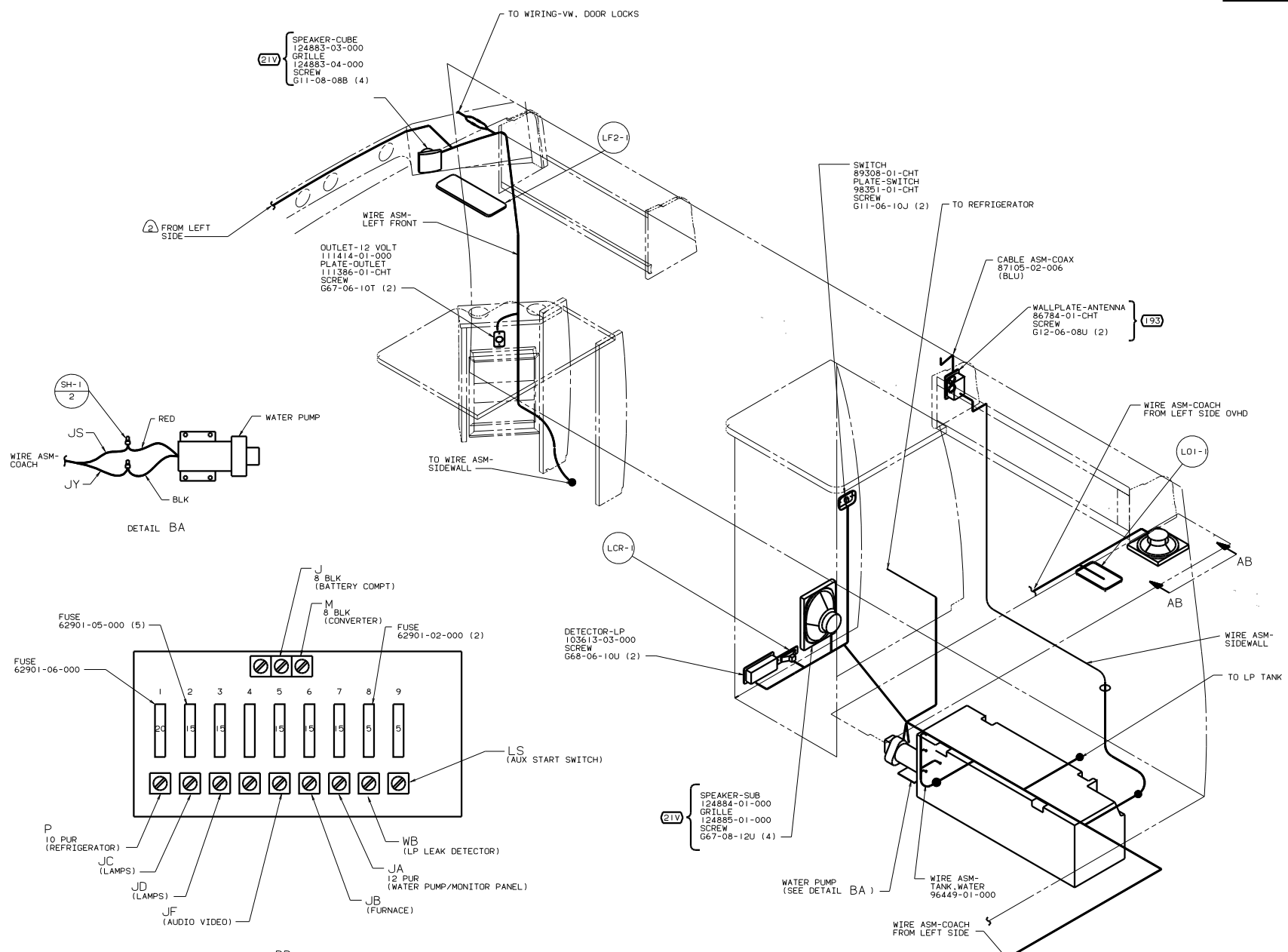
DANGER

Danger of electrical shock, burns or death. Always remove all power sources before attempting any repair, service or diagnostic work. Power can be present from shore power, generator, inverter or battery. All power sources must be disabled and secured before performing any service.



CAUTION

If you lack the skills, tools or equipment to perform diagnostic or repair work leave such work to an authorized Winnebago Industries dealer or other qualified shop.



(21V)
 SPEAKER-CUBE
 124883-03-000
 GRILLE
 124883-04-000
 SCREW
 G11-08-08B (4)

OUTLET-12 VOLT
 111414-01-000
 PLATE-OUTLET
 111386-01-CHT
 SCREW
 G67-06-10T (2)

SWITCH
 89308-01-CHT
 PLATE-SWITCH
 98351-01-CHT
 SCREW
 G11-06-10J (2)

WALLPLATE-ANTENNA
 86784-01-CHT
 SCREW
 G12-06-08U (2)

(21V)
 SPEAKER-SUB
 124884-01-000
 GRILLE
 124885-01-000
 SCREW
 G67-08-12U (4)

DETAIL BA

DETAIL BB

- (265) CODES/STANDARDS-CSA/CMVSS
- (21V) SOUND SYSTEM-DELUXE
- (1B1) CODES STANDARDS/USA
- (193) TV ANTENNA

FOR ELECTRICAL
 TORQUE
 SPECIFICATIONS
 SEE DWG NO.
 128783-01-000

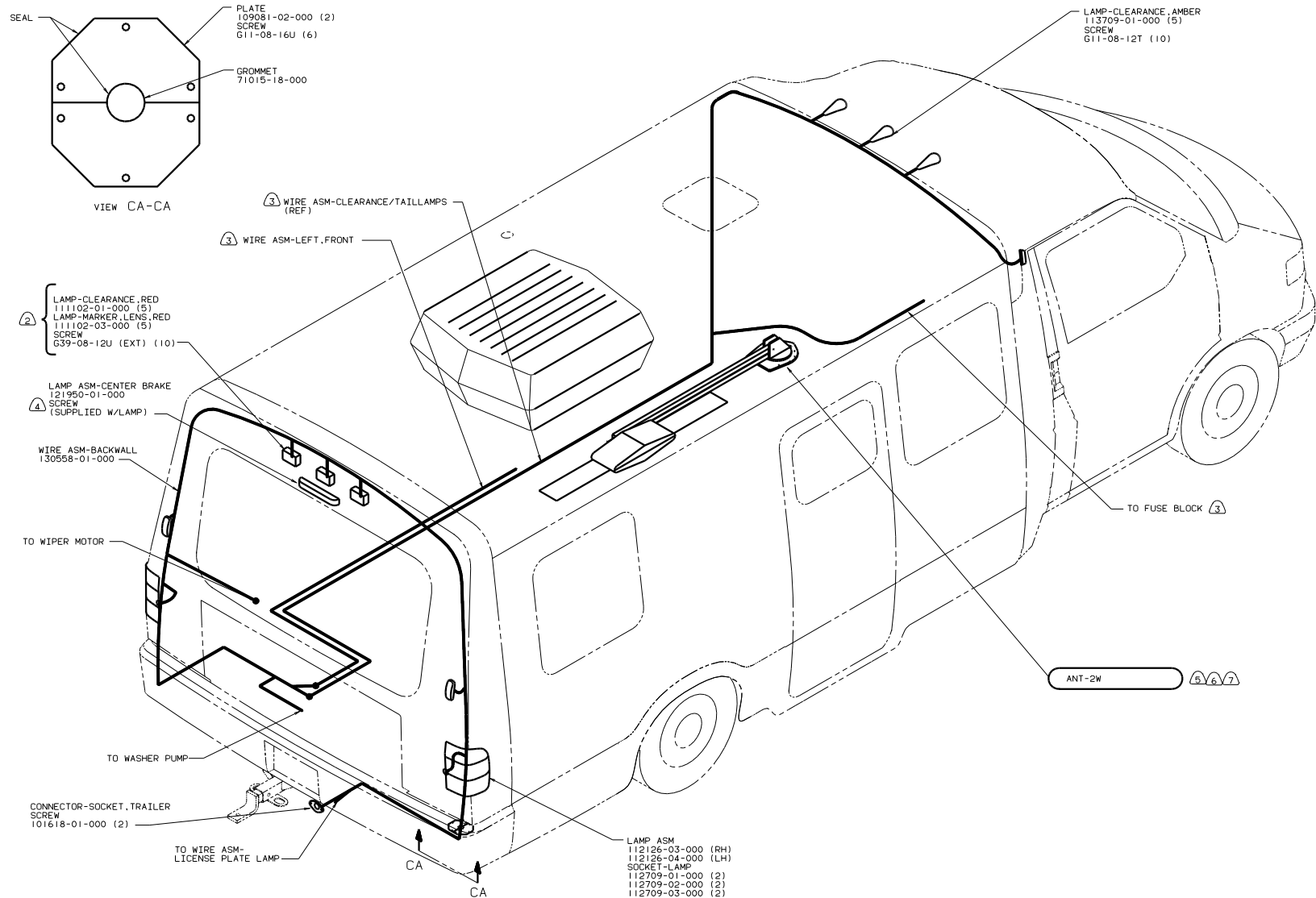
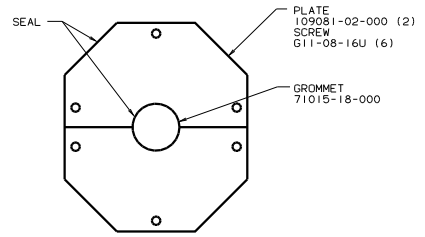
FOR ELECTRICAL
 CALLOUTS
 SEE DWG NO.
 121339-01-000

00 222HD (1B1) (265)
 TITLE: WIRING INSTL-BODY, 12V(R)
 SHEET 2 OF 3
 133419

(2) SEE WIRING INSTL-FRONT END FOR ADDITIONAL INFORMATION.

(1) WIRE ROUTED IN SIDEWALL.

NOTES:



- ⑦ ADD RUBBER BUMPER TO ROOF UNDER EACH END OF ANTENNA IN DOWN POSITION WHICH MAY COME IN CONTACT WITH ROOF.
 - ⑥ SEE DRAWING 76319-01-000 FOR ADDITIONAL INFORMATION.
 - ⑤ LOCATE TO RETAIN CABLE BUT NOT RESTRICT TRAVEL OF ANTENNA.
 - ④ ON INTERIOR OF CAP, GRIND OFF TIP OF SCREW PRIOR TO SEALING (TO PROVIDE INNER LINER CLEARANCE).
 - ③ SEE WIRING INSTL-FRONT END FOR ADDITIONAL INFORMATION.
 - ② LOCATE ON CENTER OF HOLE IN CAP-REAR.
1. CONNECTOR-PLUG, TRAILER 113589-01-000 TO BE SUPPLIED LOOSE IN COACH WITH TRAILER TOW PACKAGE.

②65 CODES/STANDARDS-CSA/CMVSS
①B1 CODES STANDARDS/USA

FOR ELECTRICAL TORQUE SPECIFICATIONS SEE DWG NO. 128783-01-000

00 222HD ①B1 ②65
WIRING INSTL-BODY, 12V(EXT)
SHEET 3 OF 3