



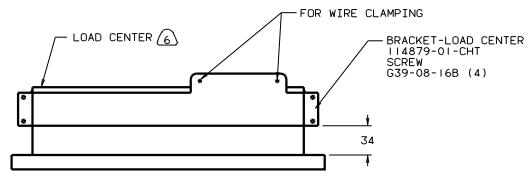
DANGER

Danger of electrical shock, burns or death. Always remove all power sources before attempting any repair, service or diagnostic work. Power can be present from shore power, generator, inverter or battery. All power sources must be disabled and secured before performing any service.

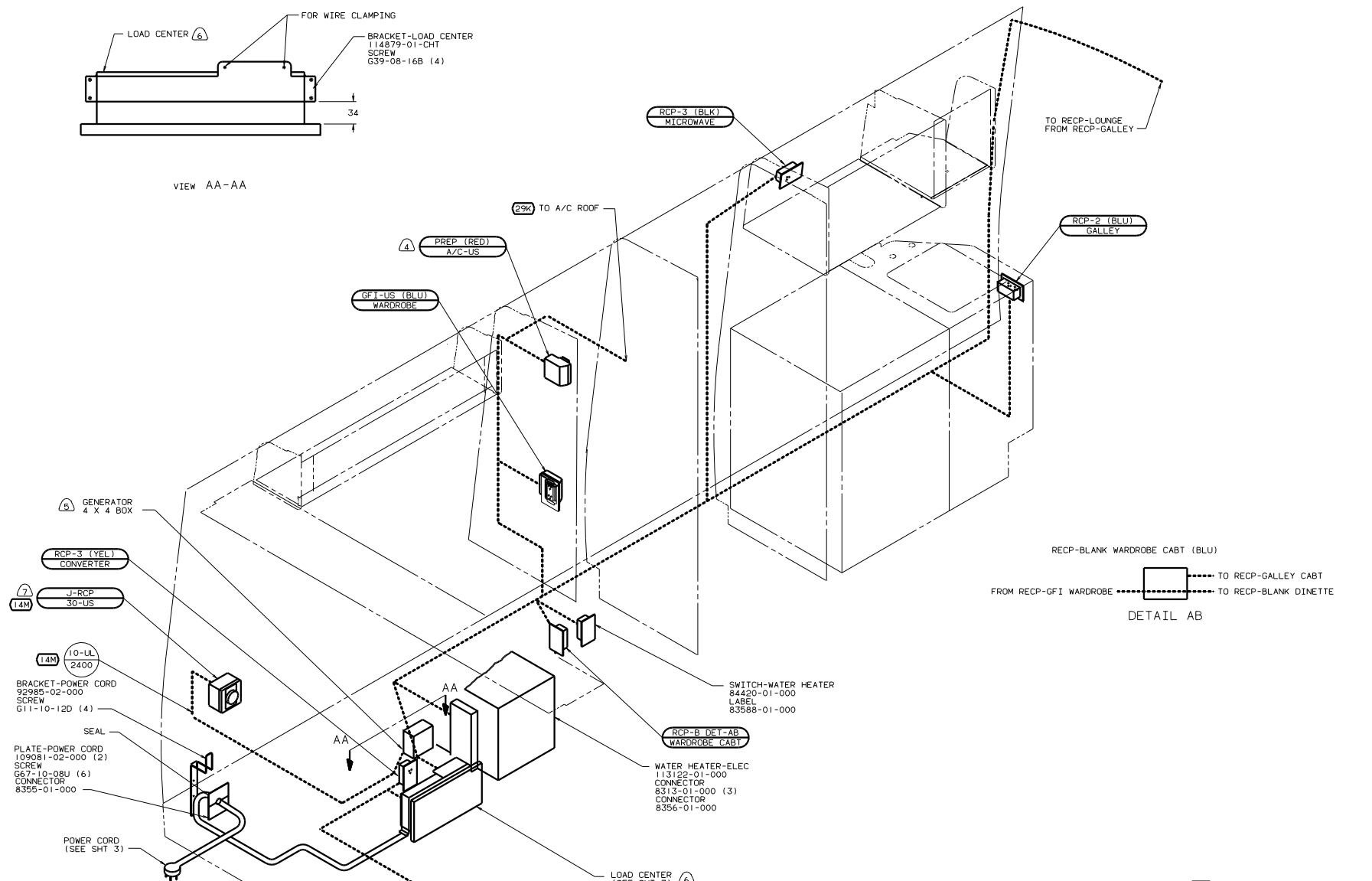


CAUTION

If you lack the skills, tools or equipment to perform diagnostic or repair work leave such work to an authorized Winnebago Industries dealer or other qualified shop.



VIEW AA-AA



DETAIL AB

- NOTES:
- (7) INSTALL RCP WITH GROUND TOWARD BOTTOM OF VEHICLE.
 - (6) LOCATE LOAD CENTER WITHIN DINETTE SEAT FACE.
 - (5) SEE GENERATOR INSTL FOR ADDITIONAL INFORMATION.
 - (4) NOT USED WITH (29K)
 - 3. ALL GROUND WIRES TO BE COVERED WITH TUBING 8041-02-000.
 - 2. ALL WIRES ARE TO BE CLAMPED WITH CLAMP 10497-05-000 WITHIN 200 OF OUTLET BOXES. USE SCREW G67-10-12B.
 - 1. ALL WIRES TO BE CLAMPED WITH CLAMP 10495-01-000 OR CLIP 80734-01-000 EVERY 600. USE SCREW G67-10-12B UNLESS OTHERWISE SPECIFIED.

- (29K) A/C ROOF-ONE 7.100 BTU
- (1B1) CODES STANDARDS/USA
- (14M) GENERATOR-3.000W-GENERAC GAS
- (12D) ELECTRICAL SYSTEM 30 AMP

FOR ELECTRICAL SPECIFICATIONS SEE DWG NO. 128783-01-000	(X-X)	FOR ELECTRICAL CALLOUTS SEE DWG NO. 121339-01-000
---------------------------------------------------------	-------	---------------------------------------------------

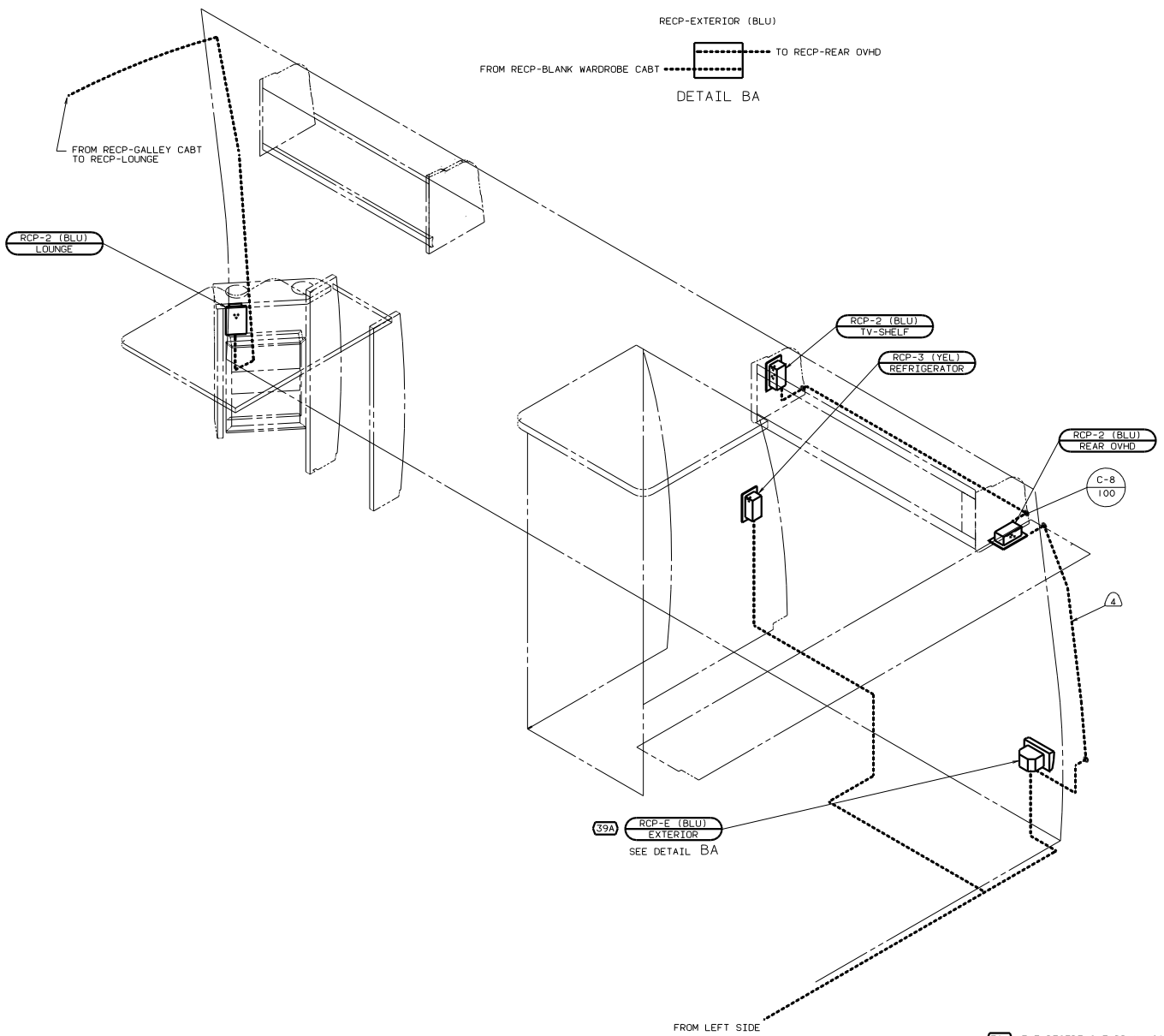
WINNEBAGO 00 222HD

OF IN	DATE	UNSPECIFIED TOLERANCES ARE:	MATERIAL
CHP	DATE	WHOLE DIM (X)	
DFE	DATE	ONE-PLACE (X.X1)	
D/E	DATE	TWO-PLACE (X.XX)	
CON	DATE	THREE-PLACE (X.XXX)	
CON	DATE	INDIC. W/ANGLE INDICATOR	

WIRING INSTL - BODY 110V(130US)

SHEET 1 OF 7

REF: 131115-L 1



- △ ROUTE WIRE THRU SIDEWALL.
- ALL GROUND WIRES TO BE COVERED WITH TUBING 8041-02-000.
 - ALL WIRES ARE TO BE CLAMPED WITH CLAMP 10497-05-000 WITHIN 200 OF OUTLET BOXES. USE SCREW G67-10-12B.
 - ALL WIRES TO BE CLAMPED WITH CLAMP 10495-01-000 OR CLIP 80734-01-000 EVERY 600. USE SCREW G67-10-12B UNLESS OTHERWISE SPECIFIED.

NOTES:

39A RCP-E (BLU) EXTERIOR SEE DETAIL BA

FROM LEFT SIDE

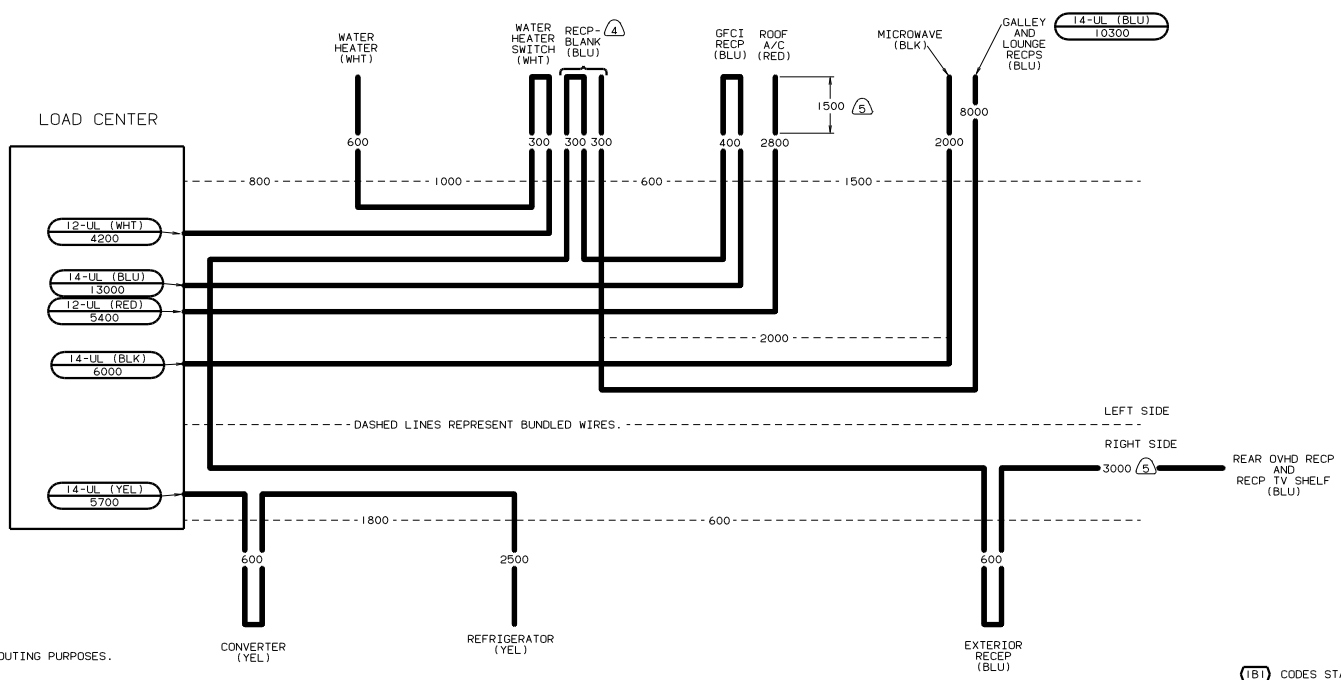
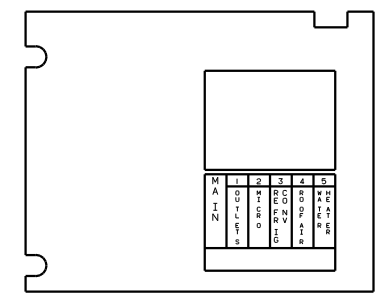
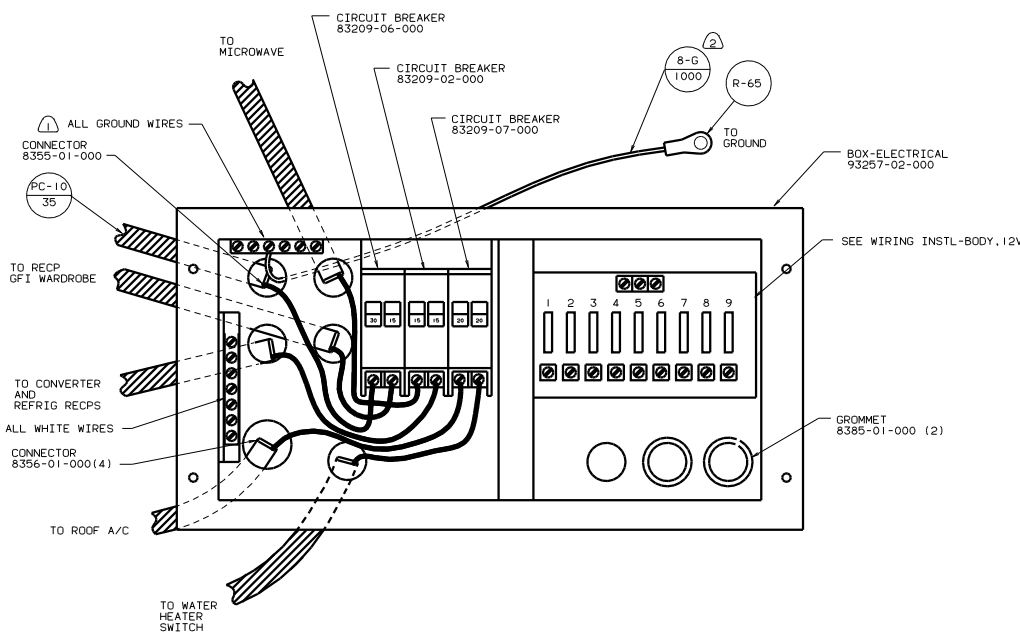
- 39A EXT RECEPTACLE DPLX 120VAC
- 1B1 CODES STANDARDS/USA
- 12D ELECTRICAL SYSTEM 30 AMP

FOR ELECTRICAL TORQUE SPECIFICATIONS SEE DWG NO. 128783-01-000

X-X FOR ELECTRICAL CALLOUTS SEE DWG NO. 121339-01-000

00 222HD 1B1 12D

WIRING INST - BODY 110V(R30US)	
DRG NO	133418
SHEET 2 of 7	

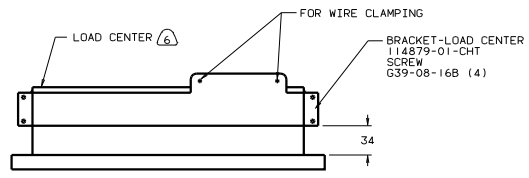


- NOTES:
- ⑤ LEAVE CONDUIT OFF SPECIFIED LENGTH FOR ROUTING PURPOSES.
 - ④ RECP BLANK TO BE INSTALLED IN WIRE PREP.
 - 3. ALL CABLES SHALL BE COVERED WITH CONVOLUTE SLIT 41953-01-000 600 LESS THAN CABLE LENGTH, UNLESS OTHERWISE SPECIFIED.
 - ② SOLDER DIP STRIPED END OF 8GA WIRE.
 - ① ALL GROUND WIRES TO BE COVERED WITH TUBING 8041-02-000.

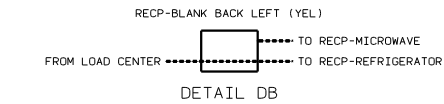
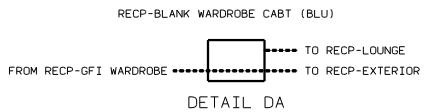
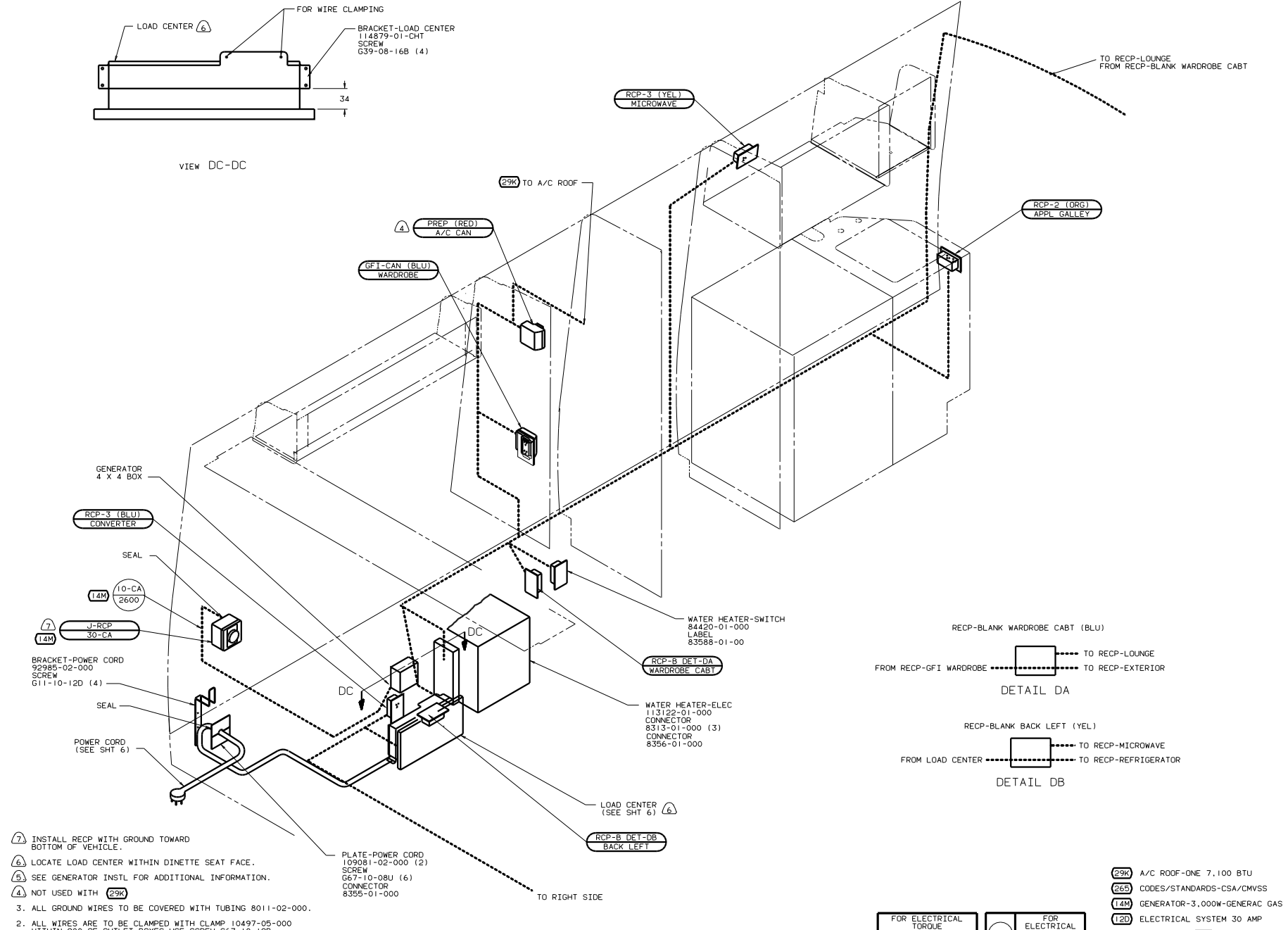
FOR ELECTRICAL TORQUE SPECIFICATIONS SEE DWG NO. 128783-01-000

FOR ELECTRICAL CALLOUTS SEE DWG NO. 121339-01-000

(181) CODES STANDARDS/USA
 (120) ELECTRICAL SYSTEM 30 AMP
 00 222HD (181) (120)



VIEW DC-DC



- (7) INSTALL RECP WITH GROUND TOWARD BOTTOM OF VEHICLE.
 - (6) LOCATE LOAD CENTER WITHIN DINETTE SEAT FACE.
 - (5) SEE GENERATOR INSTL FOR ADDITIONAL INFORMATION.
 - (4) NOT USED WITH (29K)
3. ALL GROUND WIRES TO BE COVERED WITH TUBING 8011-02-000.
2. ALL WIRES ARE TO BE CLAMPED WITH CLAMP 10497-05-000 WITHIN 200 OF OUTLET BOXES. USE SCREW 667-10-12B.
1. ALL WIRES TO BE CLAMPED WITH CLAMP 10495-01-000 OR CLIP 80734-01-000 EVERY 600. USE SCREW 667-10-12B UNLESS OTHERWISE SPECIFIED.

PLATE-POWER CORD
109081-02-000 (2)
SCREW
667-10-08U (6)
CONNECTOR
8355-01-000

LOAD CENTER (SEE SHT 6) (A)
RCP-B DET-DB
BACK LEFT

WATER HEATER-SWITCH
84420-01-000
LABEL
83588-01-00

WATER HEATER-ELEC
113122-01-000
CONNECTOR
8313-01-000 (3)
CONNECTOR
8356-01-000

RECP-BLANK WARDROBE CABT (BLU)

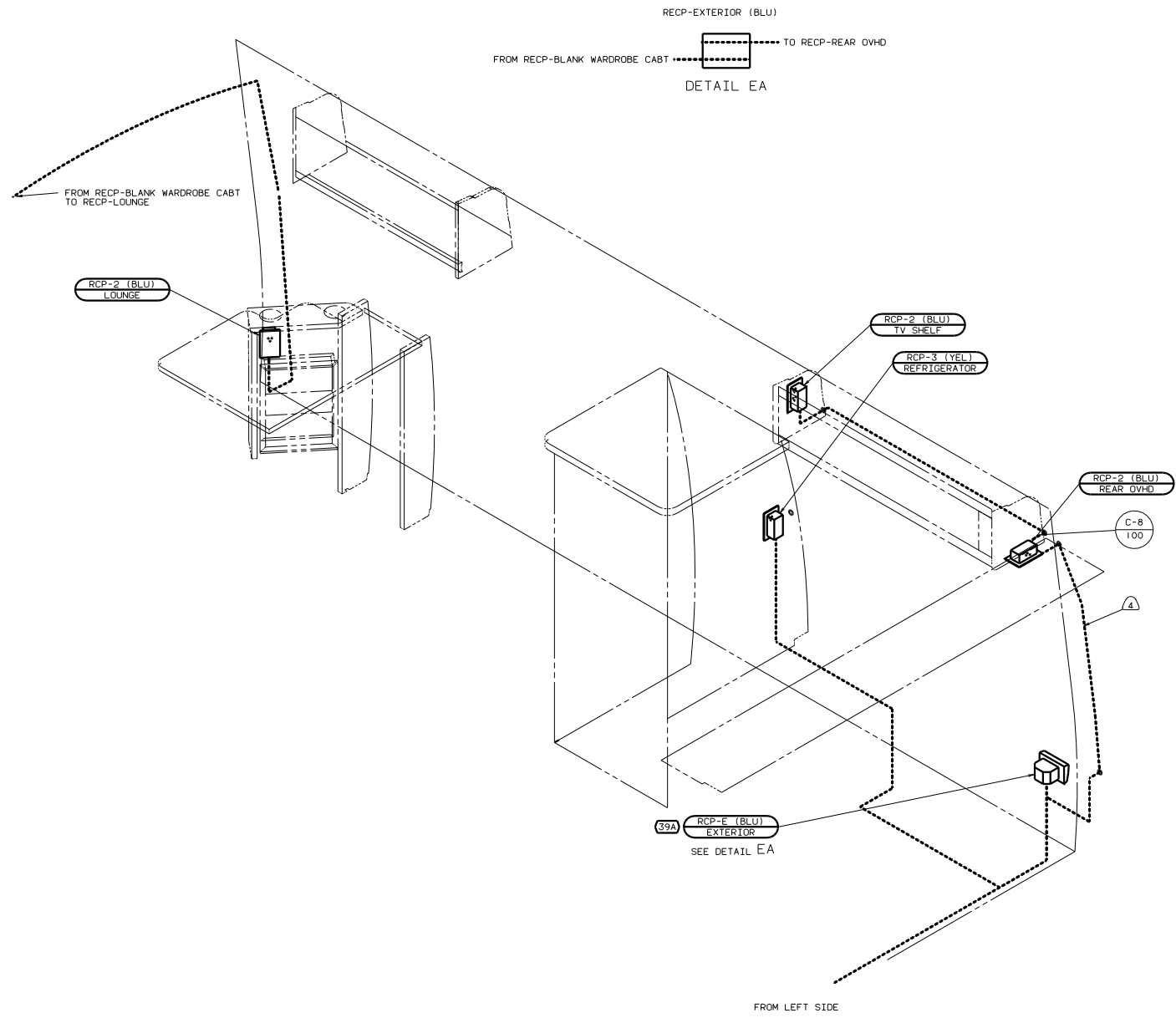
TO RECP-LOUNGE
FROM RECP-BLANK WARDROBE CABT

(29K) A/C ROOF-ONE 7.100 BTU
(265) CODES/STANDARDS-CSA/CMVSS
(14M) GENERATOR-3.000W-GENERAC GAS
(12D) ELECTRICAL SYSTEM 30 AMP

FOR ELECTRICAL TORQUE SPECIFICATIONS SEE DWG NO. 128783-01-000

FOR ELECTRICAL CALLOUTS SEE DWG NO. 121339-01-000

00 222HD (265) (12D)
WIRING INSTL-RDGY.110V(L30CA)
SHEET 4 OF 7
133418



- ④ ROUTE WIRE THRU SIDEWALL.
- 3. ALL GROUND WIRES TO BE COVERED WITH TUBING 8011-02-000.
- 2. ALL WIRES ARE TO BE CLAMPED WITH CLAMP 10497-05-000 WITHIN 200 OF OUTLET BOXES. USE SCREW G67-10-12B.
- 1. ALL WIRES TO BE CLAMPED WITH CLAMP 10495-01-000 OR CLIP 80734-01-000 EVERY 600. USE SCREW G67-10-12B UNLESS OTHERWISE SPECIFIED.

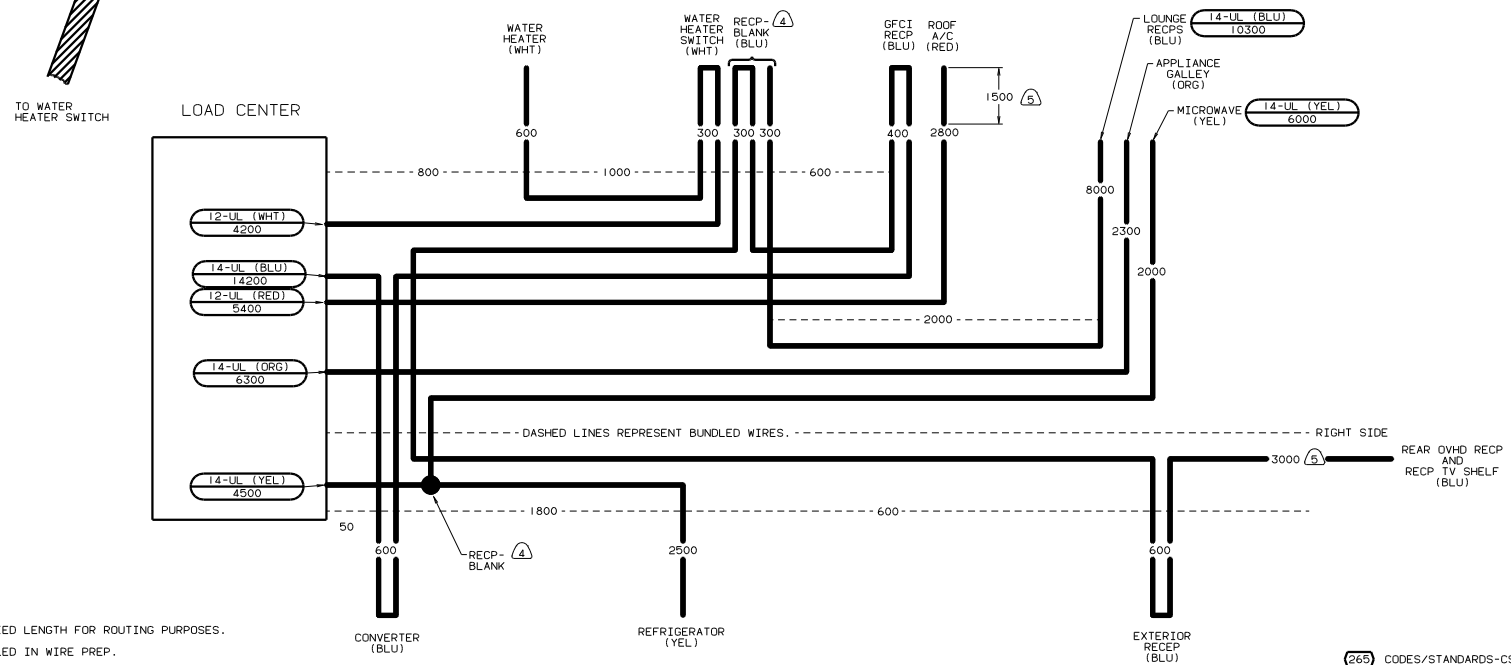
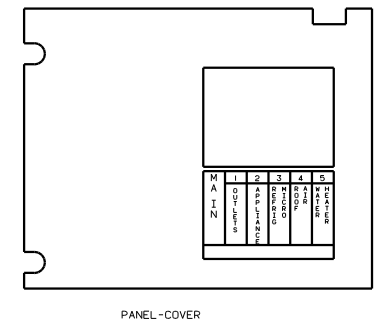
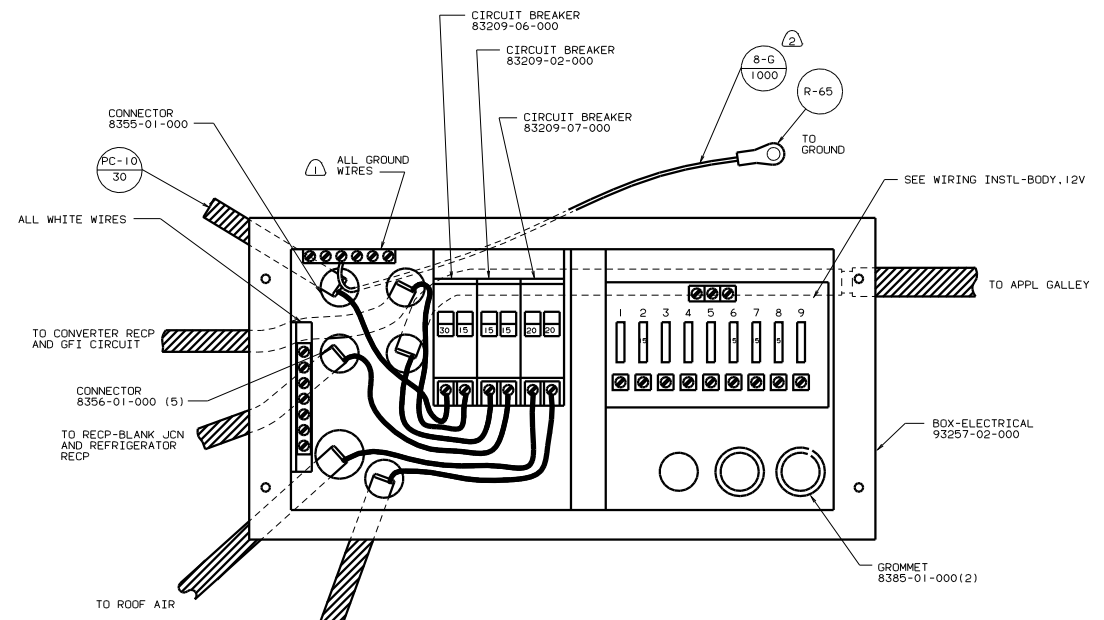
NOTES:

FOR ELECTRICAL TORQUE SPECIFICATIONS SEE DWG NO. 128783-01-000

FOR ELECTRICAL CALLOUTS SEE DWG NO. 121339-01-000

③9A EXT RECEPTACLE DPLX 120VAC
 ②65 CODES/STANDARDS-GSA/CMVSS
 ①20 ELECTRICAL SYSTEM 30 AMP

00 222HD ②65 ①20
 WIRING INSTL-RDY. 110V(R30CA)
 SHEET 5 OF 7
 133418



- NOTES:
- (5) LEAVE CONDUIT OFF SPECIFIED LENGTH FOR ROUTING PURPOSES.
 - (4) RECP BLANK TO BE INSTALLED IN WIRE PREP.
 - 3. ALL CABLES SHALL BE COVERED WITH CONVOLUTE SLIT 41953-01-000 600 LESS THAN CABLE LENGTH, UNLESS OTHERWISE SPECIFIED.
 - (2) SOLDER DIP STRIPED END OF 8GA WIRE.
 - (1) ALL GROUND WIRES TO BE COVERED WITH TUBING 8041-02-000.

FOR ELECTRICAL TORQUE SPECIFICATIONS SEE DWG NO. 128783-01-000

X-X

FOR ELECTRICAL CALLOUTS SEE DWG NO. 121339-01-000

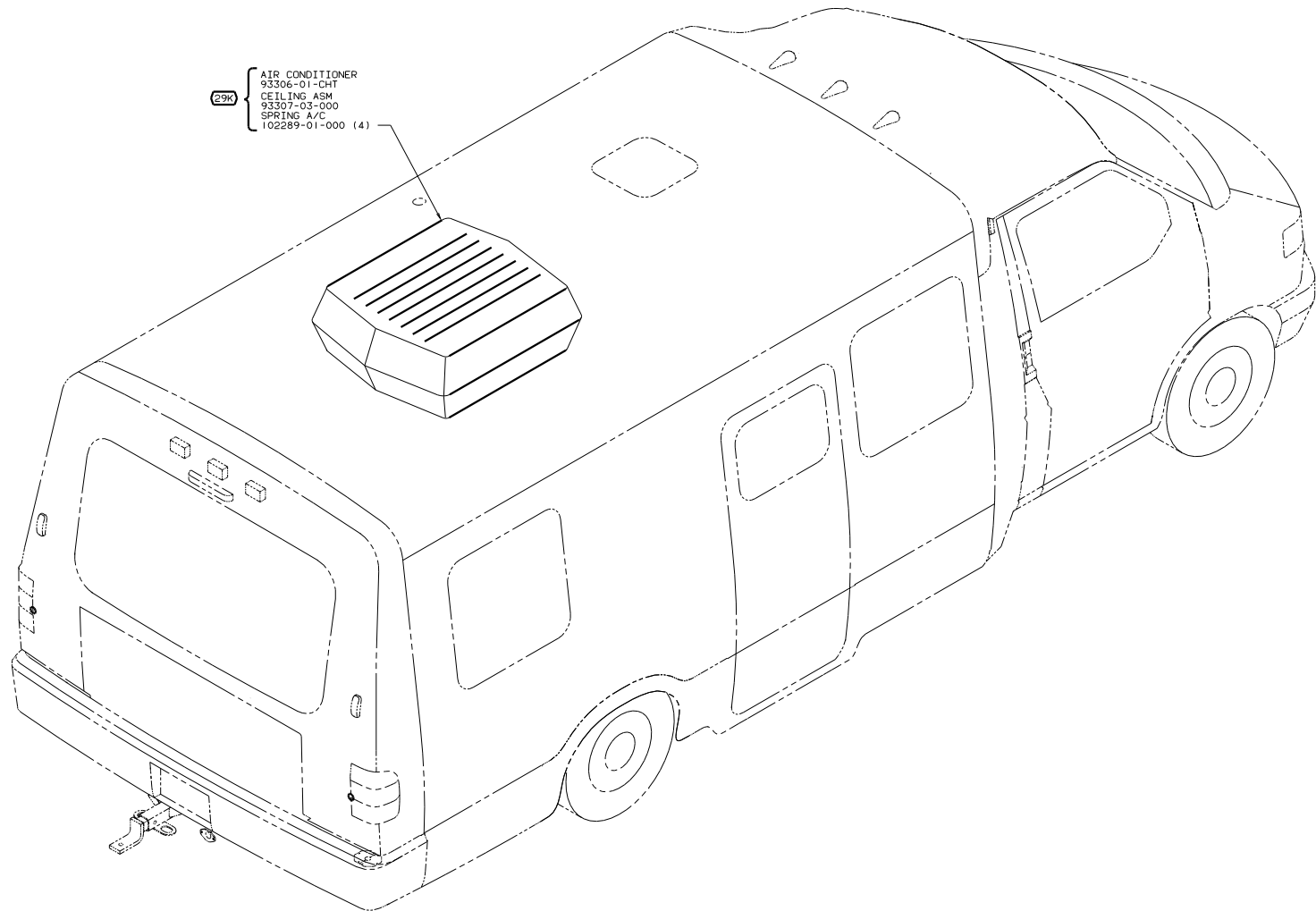
(265) CODES/STANDARDS-CSA/CMVSS

(120) ELECTRICAL SYSTEM 30 AMP

00 222HD (265) (120)

WIRING INSTL-BODY.110V(LC30CA)

133418



29K { AIR CONDITIONER
 93306-01-DHT
 CEILING ASM
 93307-03-000
 SPRING A/C
 102289-01-000 (4)

- 29K A/C ROOF-ONE 7,100 BTU
- 265 CODES/STANDARDS-CSA/CMVSS
- 1B1 CODES STANDARDS/USA

FOR ELECTRICAL
 TORQUE
 SPECIFICATIONS
 SEE DWG NO.
 128783-01-000

00 222HD 1B1 265
 TITLE: WIRING INSTL-BODY(EX L)
 SHEET 7 of 7 I.E. NO. 133418

NOTES: