



DANGER

Danger of electrical shock, burns or death. Always remove all power sources before attempting any repair, service or diagnostic work. Power can be present from shore power, generator, inverter or battery. All power sources must be disabled and secured before performing any service.



CAUTION

If you lack the skills, tools or equipment to perform diagnostic or repair work leave such work to an authorized Winnebago Industries dealer or other qualified shop.

8

7

6

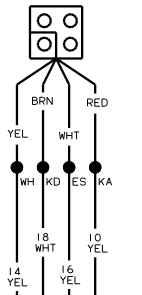
5

4

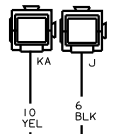
3

2

CONNECTS TO ELECTRIC STEP



CONNECTS TO WIRE ASM-CRT BRK POWER IN FRONT ELECTRICAL BOX



CONNECTS TO 12V CONTROL PANEL BUSS BAR (LOCATED IN GALLEY CABT)



ELECTRIC STEP SWITCH



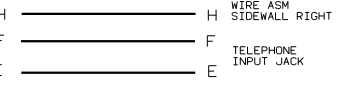
POWER CORD COMPT LAMP



ENGINE COMPT LAMP



EXTERIOR ENT CTR TELEPHONE WALLPLATE H ——— H
 BEDROOM TELEPHONE JACK F ——— F
 E ——— E



RA
 MM
 LL
 LM

MS

ER
 IHT

HU
 LN

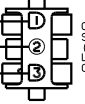
IHS
 RB

MP
 WC
 WE

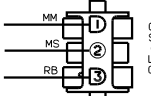
RE



CONNECTS TO WIRE ASM COACH (SHT 2, E-1) LOCATED BELOW REFRIGERATOR



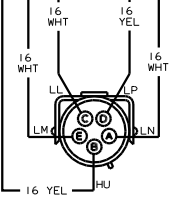
CONNECTS TO WIRE ASM SIDEMARKER, RIGHT (SHT 11, C-4) LOCATED BEHIND COMPT DOOR



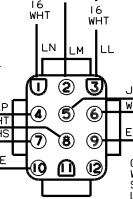
TO ROOF ASM (SHT 5, G-8) (IN END CAP OF DINETTE OVHD)



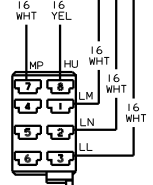
CONNECTS TO WIRE ASM IP MAIN



CONNECTS TO WIRE ASM-GENERATOR ADAPT (SHT 11 D-8, B-8) LOCATED ON TOP OF GENERATOR

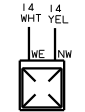


CONNECTS TO WIRE ASM LEFT SHTS, H-4 LOCATED BELOW GALLEY CABINET



CONNECTS TO WIRE ASM BEDROOM GENERATOR SWITCH LOCATED IN BEDROOM OVHD

FRONT LEFT COMPT LAMP



WIRING DIAGRAM-CHASSIS (WIRE ASM 133451)

S F I

DFTD		DATE		UNAPPROVED		TOOLING NO.		MATERIAL	
DESIGN	DATE	WHILE BDR 143		INS-PHASE (K, L, M)					
P.E.	DATE	INS-PHASE (K, L, M)							
DRAWN	DATE	DATE	DATE	DATE	DATE	DATE	DATE	DATE	DATE
DATE	DATE	DATE	DATE	DATE	DATE	DATE	DATE	DATE	DATE
DATE	DATE	DATE	DATE	DATE	DATE	DATE	DATE	DATE	DATE
LAYOUT		TITLE		SCALE		SHEET		TOTAL SHEETS	
2		WIRING DIAGRAM-BODY, I2V		1:2		1 OF 11		133384	
ALL DIMENSIONS ARE IN MILLIMETERS		REF: 128792-C 1							

8

7

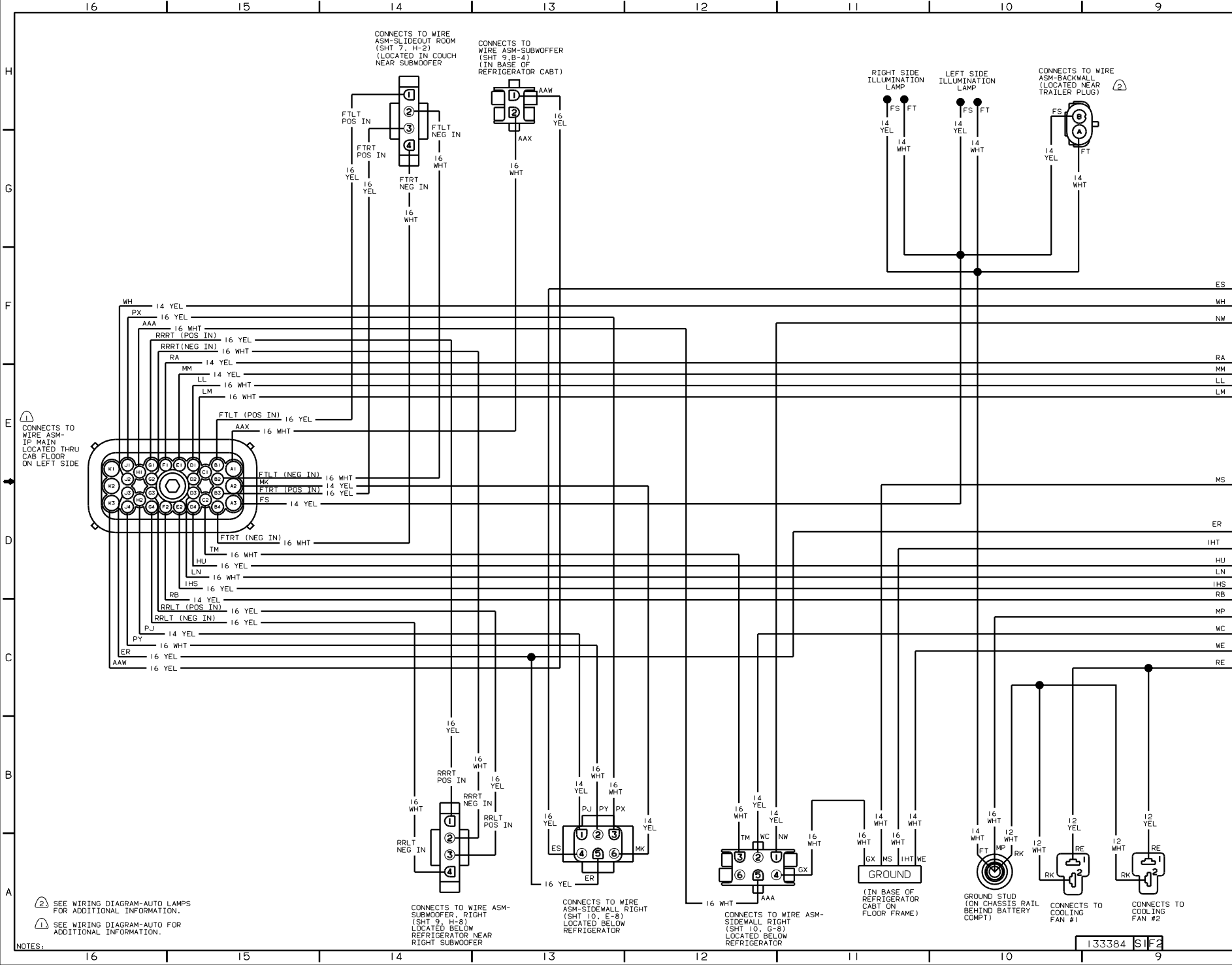
6

5

4

3

2



① CONNECTS TO WIRE ASM-IP MAIN LOCATED THRU CAB FLOOR ON LEFT SIDE

CONNECTS TO WIRE ASM-SLIDEOUT ROOM (SHT 7, H-2) (LOCATED IN COUCH NEAR SUBWOFFER)

CONNECTS TO WIRE ASM-SUBWOFFER (SHT 9, B-4) (IN BASE OF REFRIGERATOR CABT)

RIGHT SIDE ILLUMINATION LAMP

LEFT SIDE ILLUMINATION LAMP

CONNECTS TO WIRE ASM-BACKWALL (LOCATED NEAR TRAILER PLUG) ②

② SEE WIRING DIAGRAM-AUTO LAMPS FOR ADDITIONAL INFORMATION.

③ SEE WIRING DIAGRAM-AUTO FOR ADDITIONAL INFORMATION.

CONNECTS TO WIRE ASM-SUBWOFFER, RIGHT (SHT 9, H-8) LOCATED BELOW REFRIGERATOR NEAR RIGHT SUBWOFFER

CONNECTS TO WIRE ASM-SIDEWALL RIGHT (SHT 10, E-8) LOCATED BELOW REFRIGERATOR

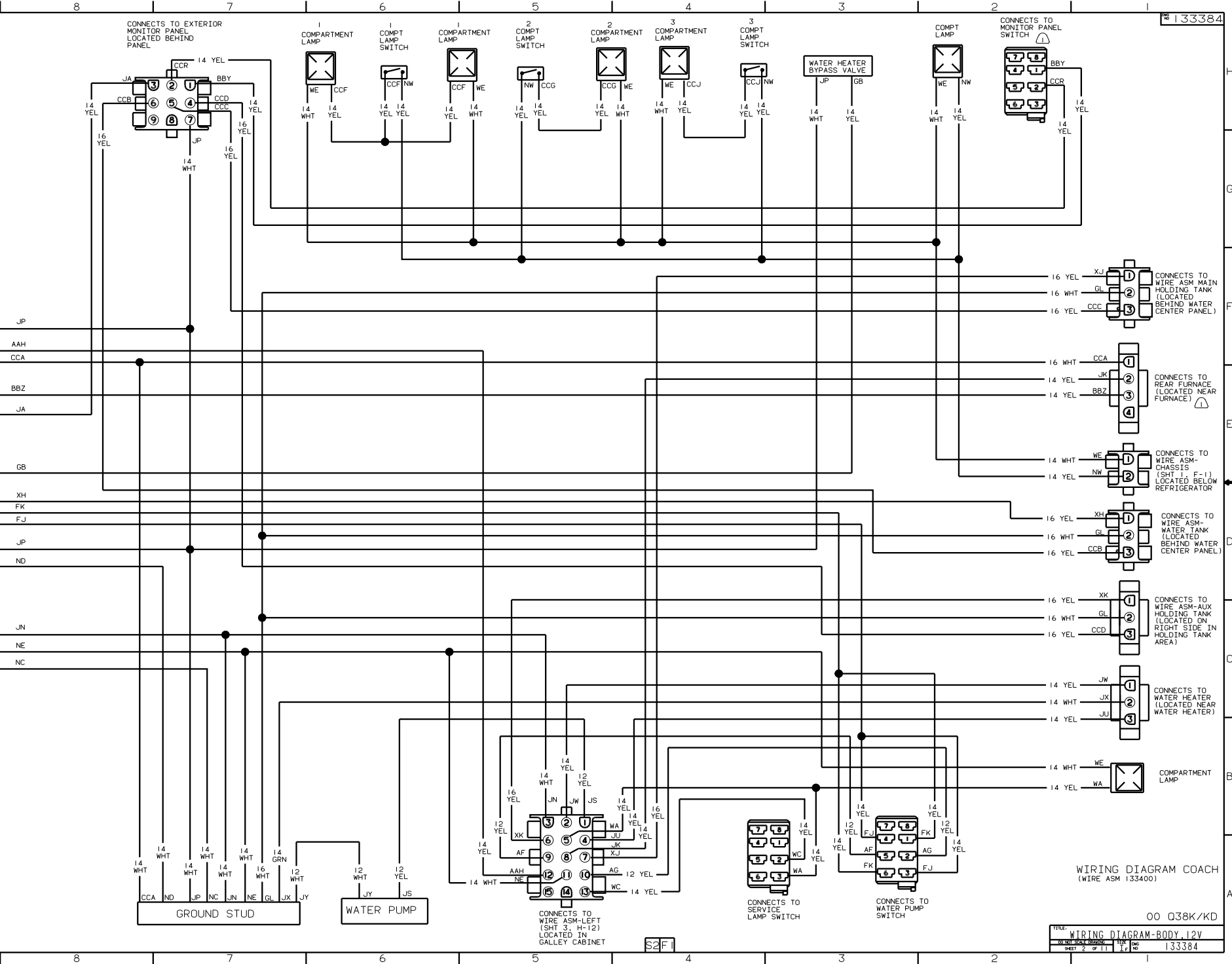
CONNECTS TO WIRE ASM-SIDEWALL LEFT (SHT 10, G-8) LOCATED BELOW REFRIGERATOR

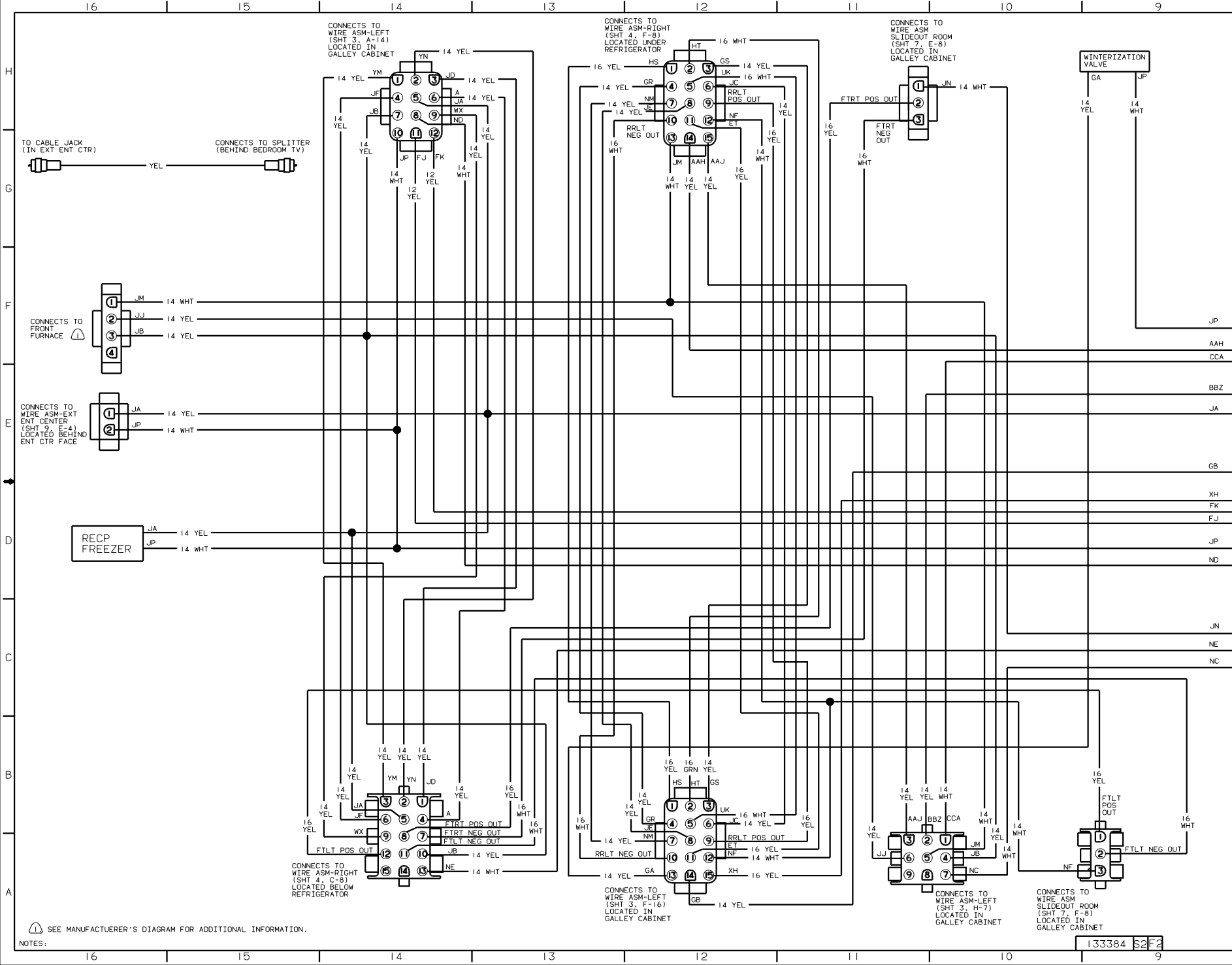
GROUND (IN BASE OF REFRIGERATOR CABT ON FLOOR FRAME)

GROUND STUD (ON CHASSIS RAIL BEHIND BATTERY COMPT)

CONNECTS TO COOLING FAN #1

CONNECTS TO COOLING FAN #2





CONNECTS TO WIRE ASM-LEFT (SHT 3, A-14) LOCATED IN GALLEY CABINET

CONNECTS TO WIRE ASM-RIGHT (SHT 4, F-8) LOCATED UNDER REFRIGERATOR

CONNECTS TO WIRE ASM SLIDEOUT ROOM (SHT 7, E-8) LOCATED IN GALLEY CABINET

WINTERIZATION VALVE

TO CABLE JACK (IN EXT ENT CTR)

CONNECTS TO SPLITTER (BEHIND BEDROOM TV)

CONNECTS TO FRONT FURNACE

CONNECTS TO WIRE ASM-EXT CENTER (SHT 9, E-4) LOCATED BEHIND ENT CTR FACE

RECP FREEZER

CONNECTS TO WIRE ASM-RIGHT (SHT 4, C-8) LOCATED BELOW REFRIGERATOR

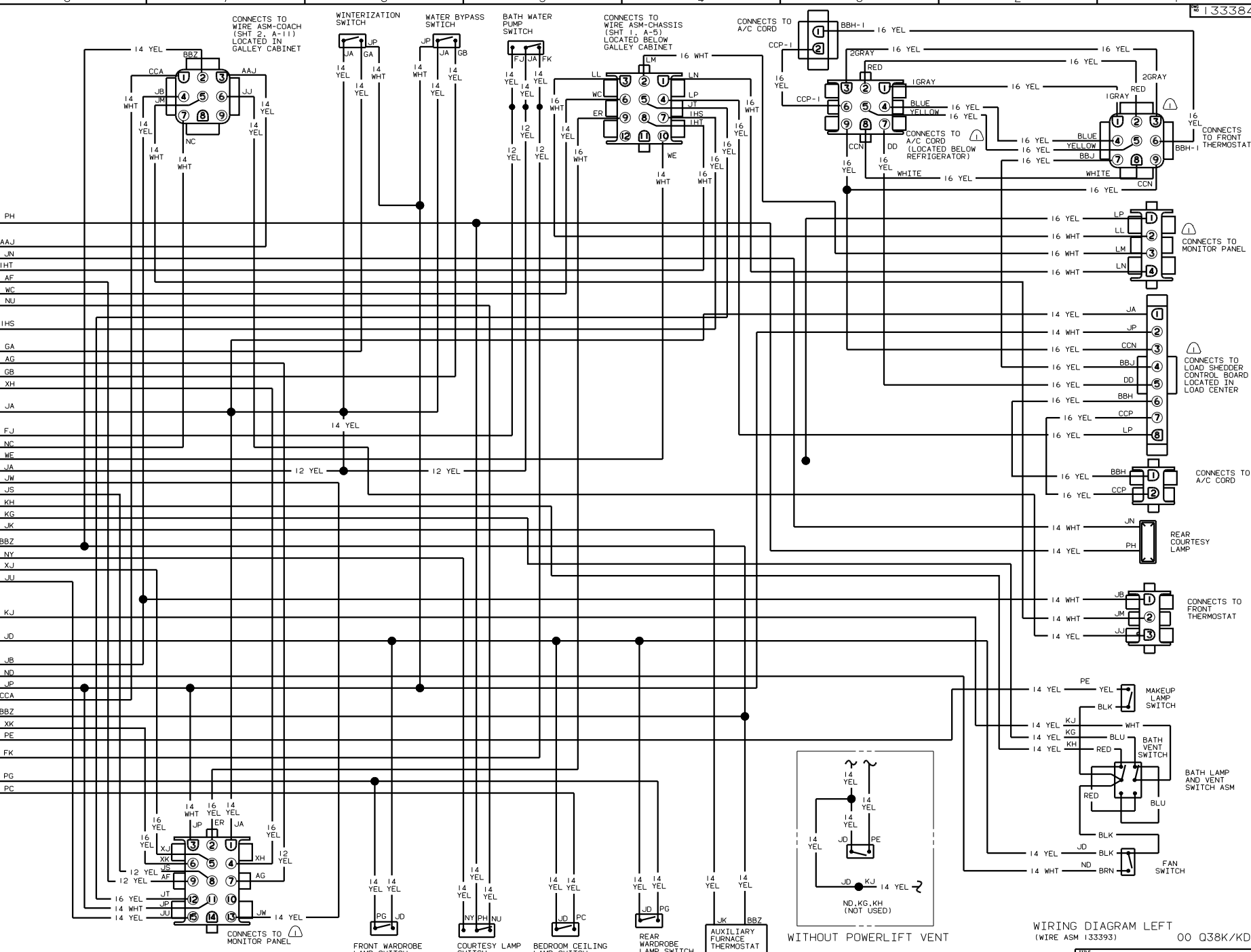
CONNECTS TO WIRE ASM-LEFT (SHT 3, F-16) LOCATED IN GALLEY CABINET

CONNECTS TO WIRE ASM-LEFT (SHT 3, H-7) LOCATED IN GALLEY CABINET

CONNECTS TO WIRE ASM SLIDEOUT ROOM (SHT 7, F-8) LOCATED IN GALLEY CABINET

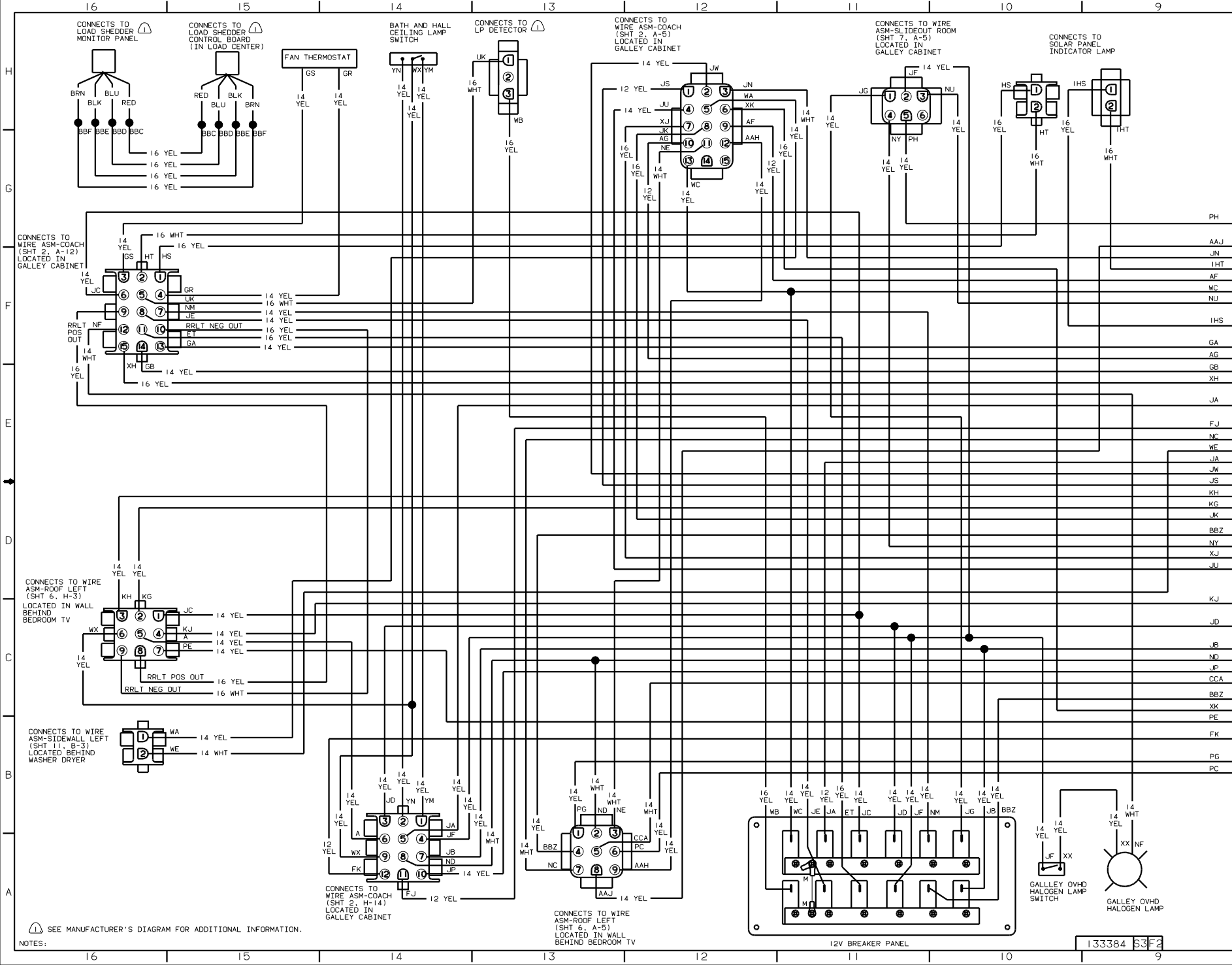
NOTES: SEE MANUFACTURER'S DIAGRAM FOR ADDITIONAL INFORMATION.

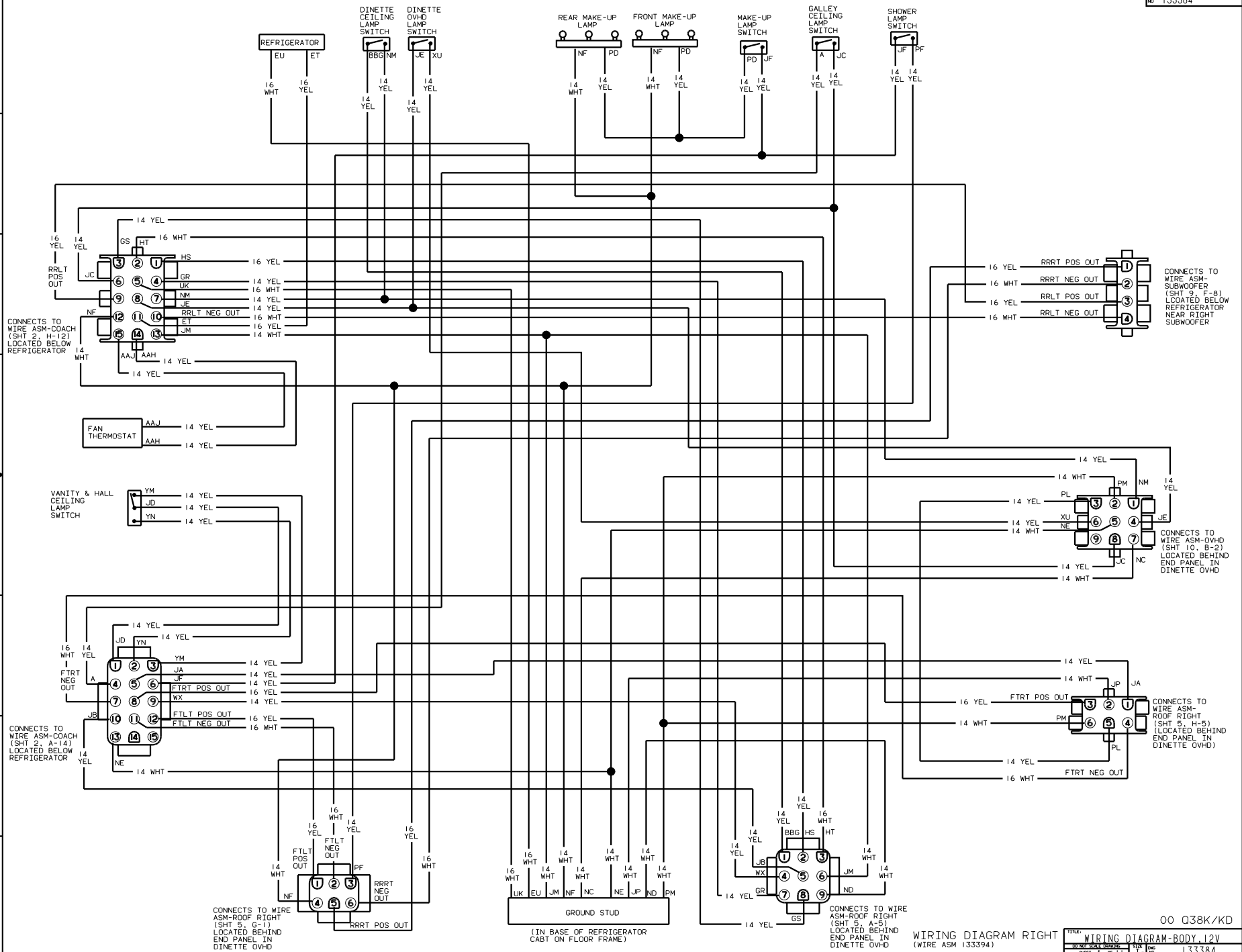
133384 52F2



WIRING DIAGRAM LEFT
(WIRE ASM 133393) 00 Q38K/KD

FILE	WIRING DIAGRAM-BODY_12V
DATE	02/04/2009
SHEET	3 OF 11
REV	1
NO	133384





CONNECTS TO WIRE ASM-COACH (SHT 2, H-12) LOCATED BELOW REFRIGERATOR

CONNECTS TO WIRE ASM-COACH (SHT 2, H-12) LOCATED BELOW REFRIGERATOR

CONNECTS TO WIRE ASM-ROOF RIGHT (SHT 5, G-1) LOCATED BEHIND END PANEL IN DINETTE OVHD

CONNECTS TO WIRE ASM-SUBWOOFER (SHT 9, F-8) LOCATED BELOW REFRIGERATOR NEAR RIGHT SUBWOOFER

CONNECTS TO WIRE ASM-OVHD (SHT 10, B-2) LOCATED BEHIND END PANEL IN DINETTE OVHD

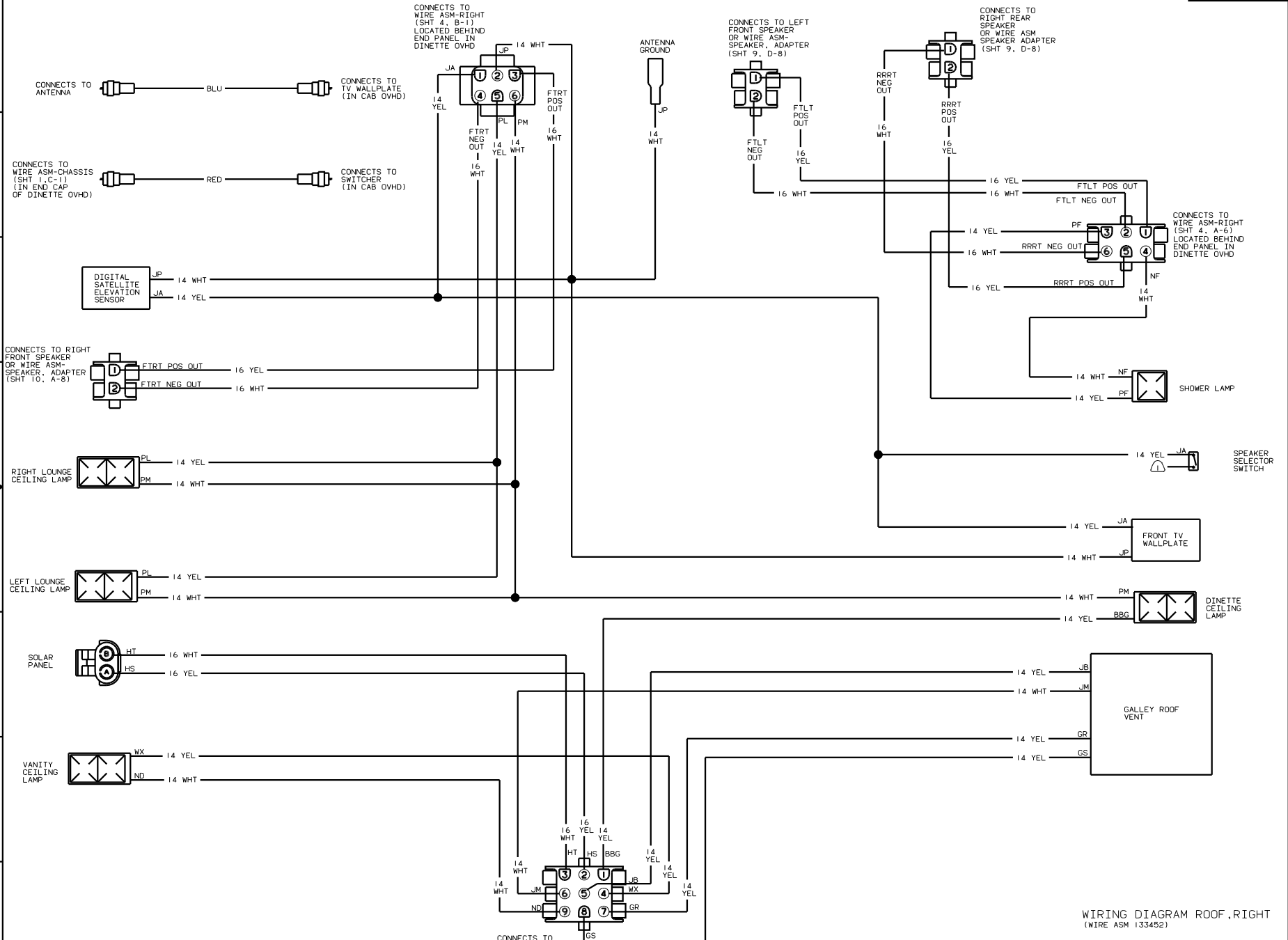
CONNECTS TO WIRE ASM-ROOF RIGHT (SHT 5, A-5) LOCATED BEHIND END PANEL IN DINETTE OVHD

GROUND STUD
(IN BASE OF REFRIGERATOR CABT ON FLOOR FRAME)

CONNECTS TO WIRE ASM-ROOF RIGHT (SHT 5, A-5) LOCATED BEHIND END PANEL IN DINETTE OVHD

WIRING DIAGRAM RIGHT
(WIRE ASM 133394)

00 Q38K/KD
WIRING DIAGRAM-BODY 12V
133384



CONNECTS TO WIRE ASM-RIGHT (SHT 4, B-1) LOCATED BEHIND END PANEL IN DINETTE OVHD

CONNECTS TO LEFT FRONT SPEAKER OR WIRE ASM-SPEAKER, ADAPTER (SHT 9, D-8)

CONNECTS TO RIGHT REAR SPEAKER OR WIRE ASM-SPEAKER ADAPTER (SHT 9, D-8)

CONNECTS TO WIRE ASM-RIGHT (SHT 4, A-3) LOCATED BEHIND END PANEL IN DINETTE OVHD

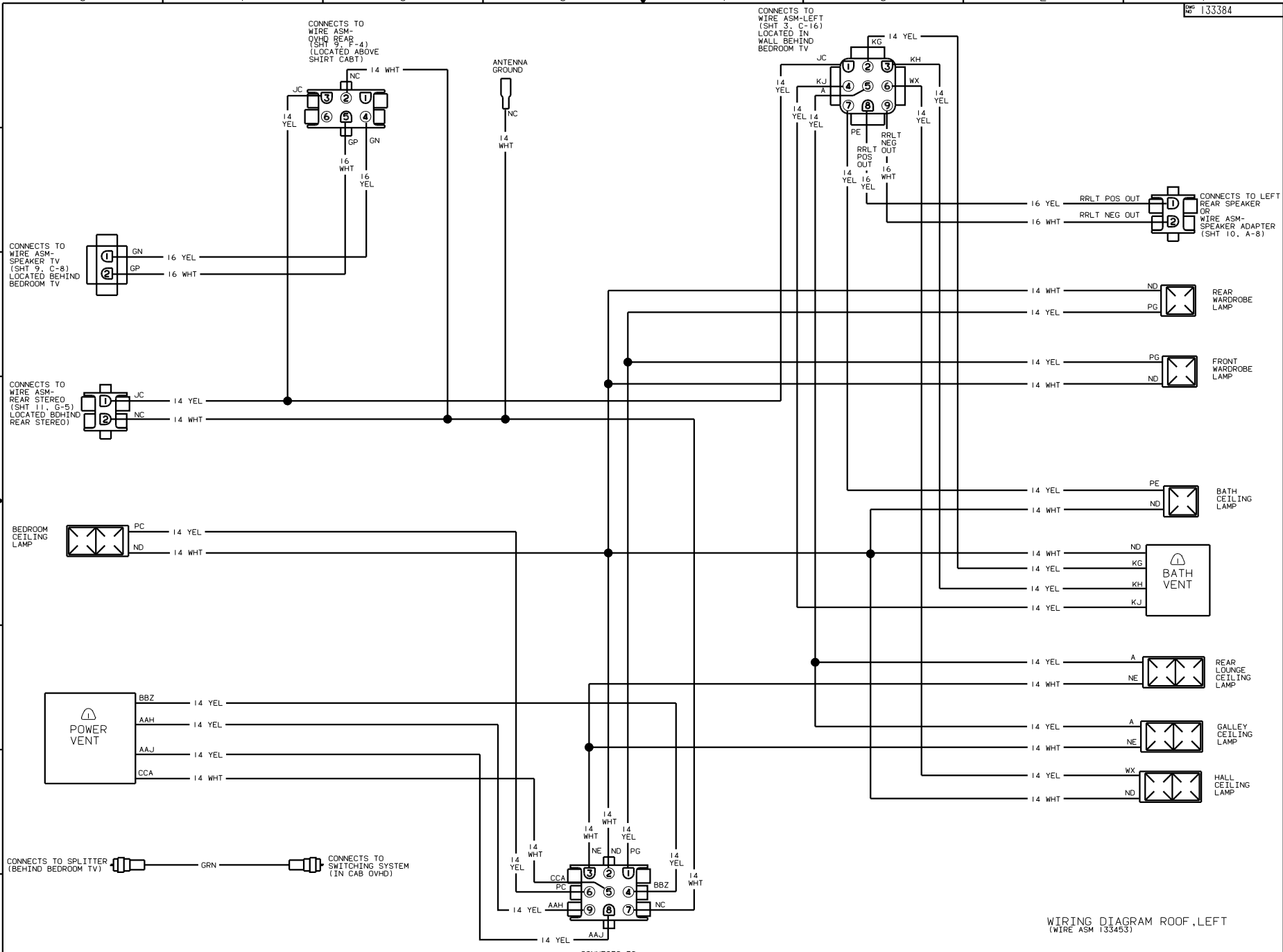
CONNECTS TO WIRE ASM-RIGHT (SHT 4, A-6) LOCATED BEHIND END PANEL IN DINETTE OVHD

WIRING DIAGRAM ROOF, RIGHT (WIRE ASM 133452)

00 Q38K/KD

TITLE: WIRING DIAGRAM-BODY, 12V	
NO. OF SHEETS: 5	SHEET NO: 5 OF 11
DATE: 1/6	FILE NO: 133384

NOTES: SEE WIRING DIAGRAM AUTO FOR ADDITIONAL INFORMATION.

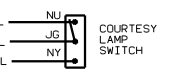
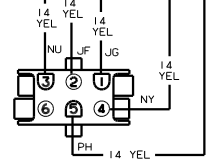
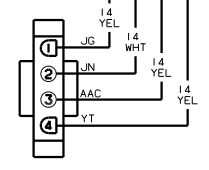
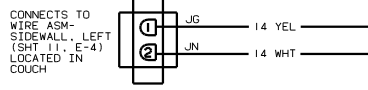
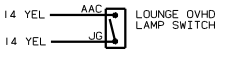
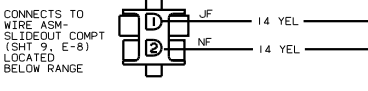
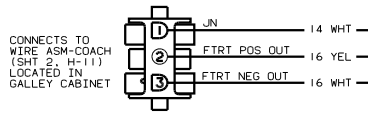
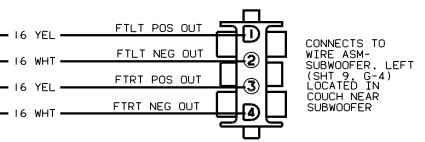
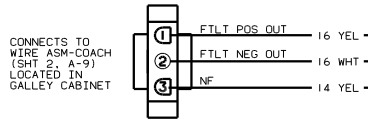
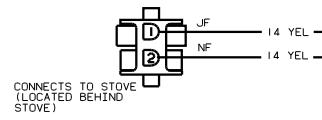


WIRING DIAGRAM ROOF, LEFT
(WIRE ASM 133453)

00 Q38K/KD

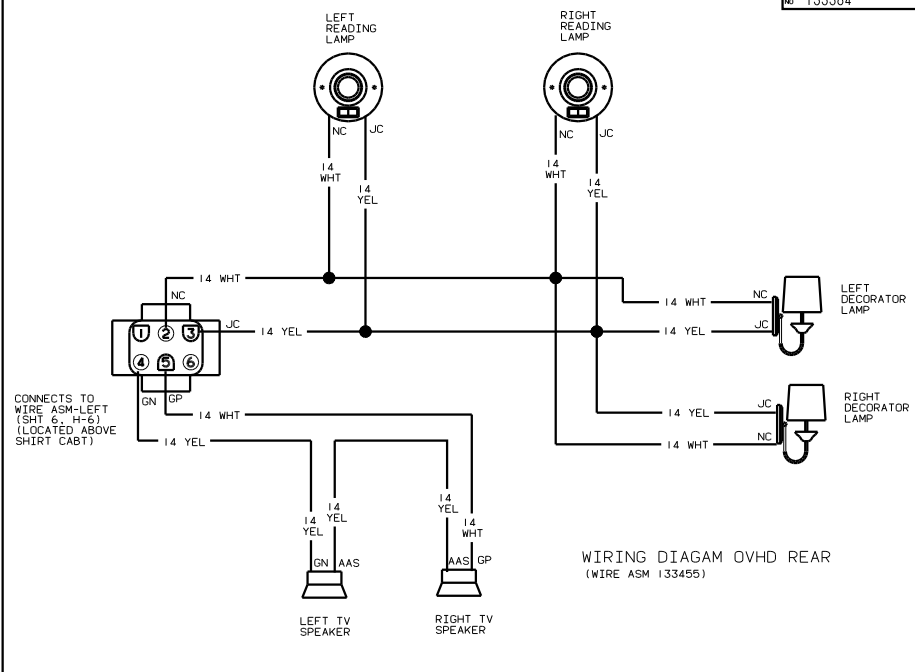
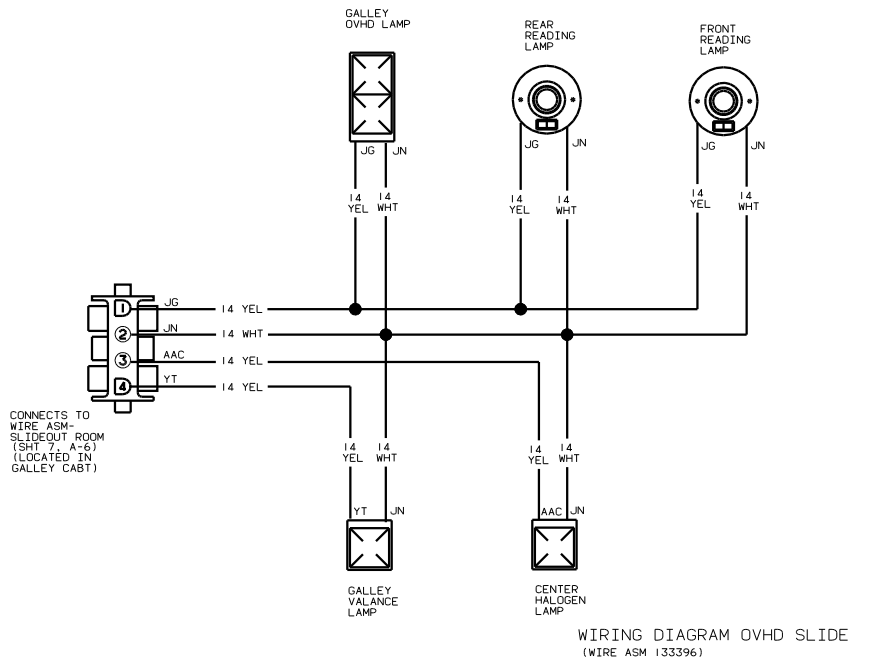
TITLE: WIRING DIAGRAM-BODY, 12V		DATE: 1/16	DRW. NO: 133384
NO. OF SHEETS: 6	SHEET NO: 6	OF 6	1/1

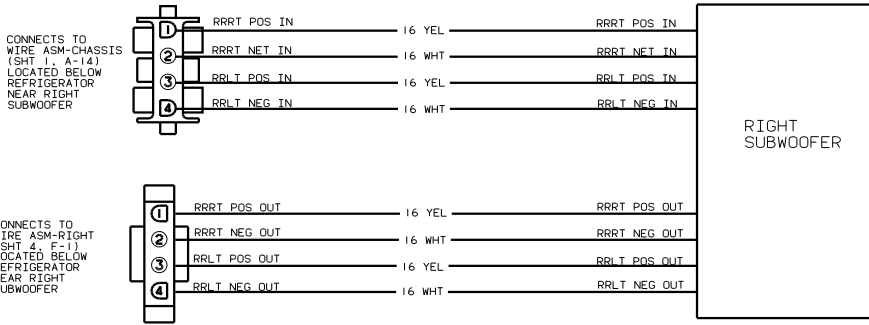
NOTES: 1 SEE MANUFACTURER'S DIAGRAM FOR ADDITIONAL INFORMATION.



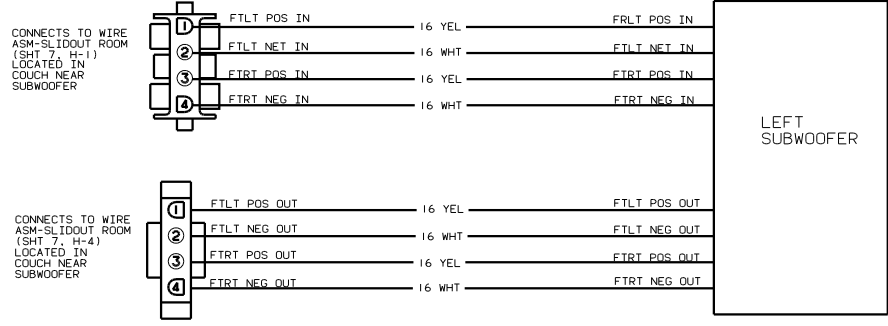
WIRING DIAGRAM SLIDEOUT ROOM (WIRE ASM 133454)

00 Q38K/KD

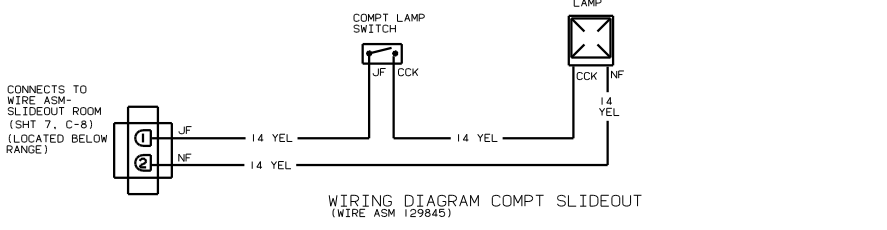




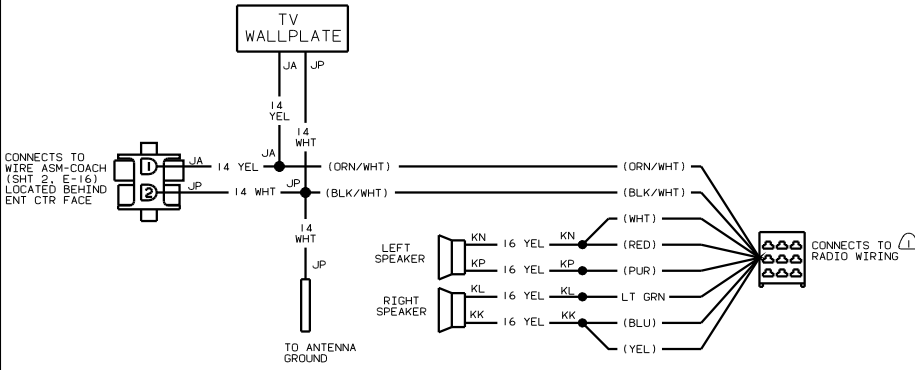
WIRING DIAGRAM SUBWOOFER RIGHT
(WIRE ASM 129724)



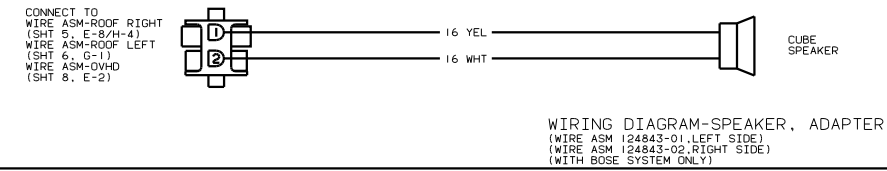
WIRING DIAGRAM SUBWOOFER LEFT
(WIRE ASM 129725)



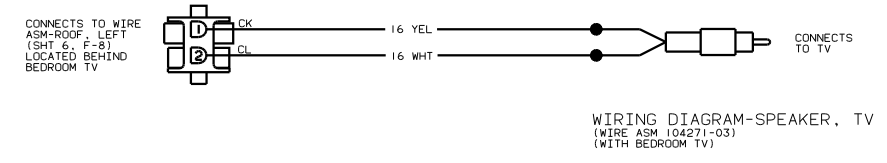
WIRING DIAGRAM COMPT SLIDEOUT
(WIRE ASM 129845)



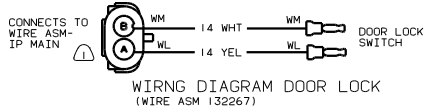
WIRING DIAGRAM-EXT ENT CTR
(WIRE ASM 125853-01)
(WITH EXTERIOR ENTERTAINMENT CENTER)



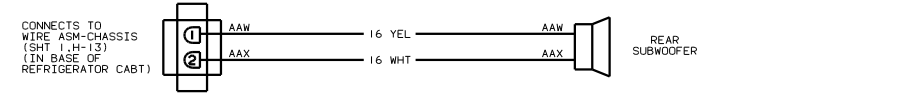
WIRING DIAGRAM-SPEAKER, ADAPTER
(WIRE ASM 124843-01, LEFT SIDE)
(WIRE ASM 124843-02, RIGHT SIDE)
(WITH BOSE SYSTEM ONLY)



WIRING DIAGRAM-SPEAKER, TV
(WIRE ASM 104271-03)
(WITH BEDROOM TV)

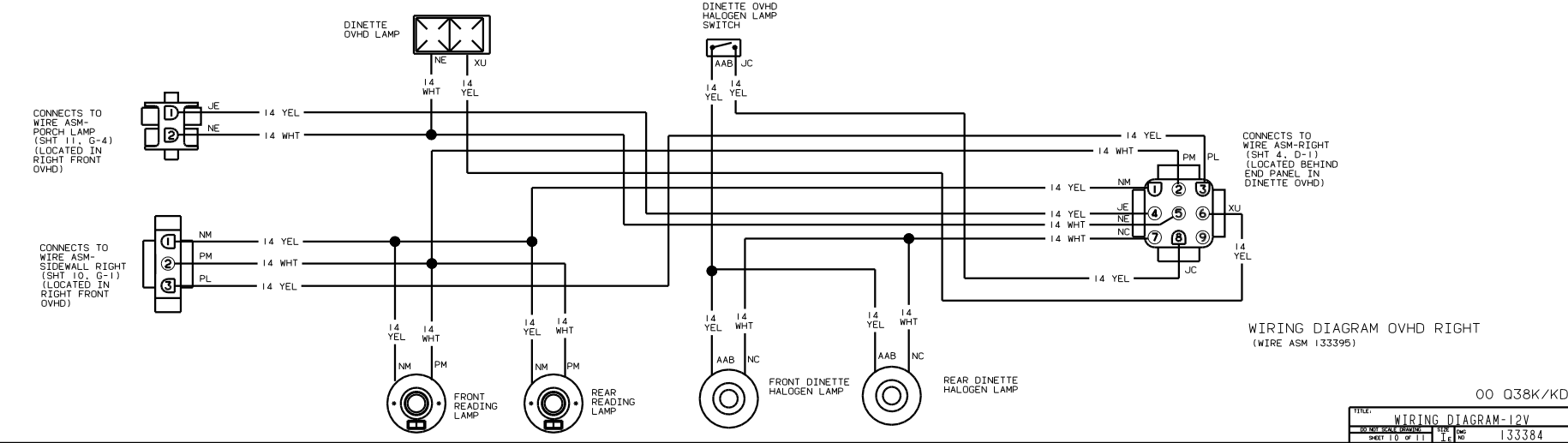
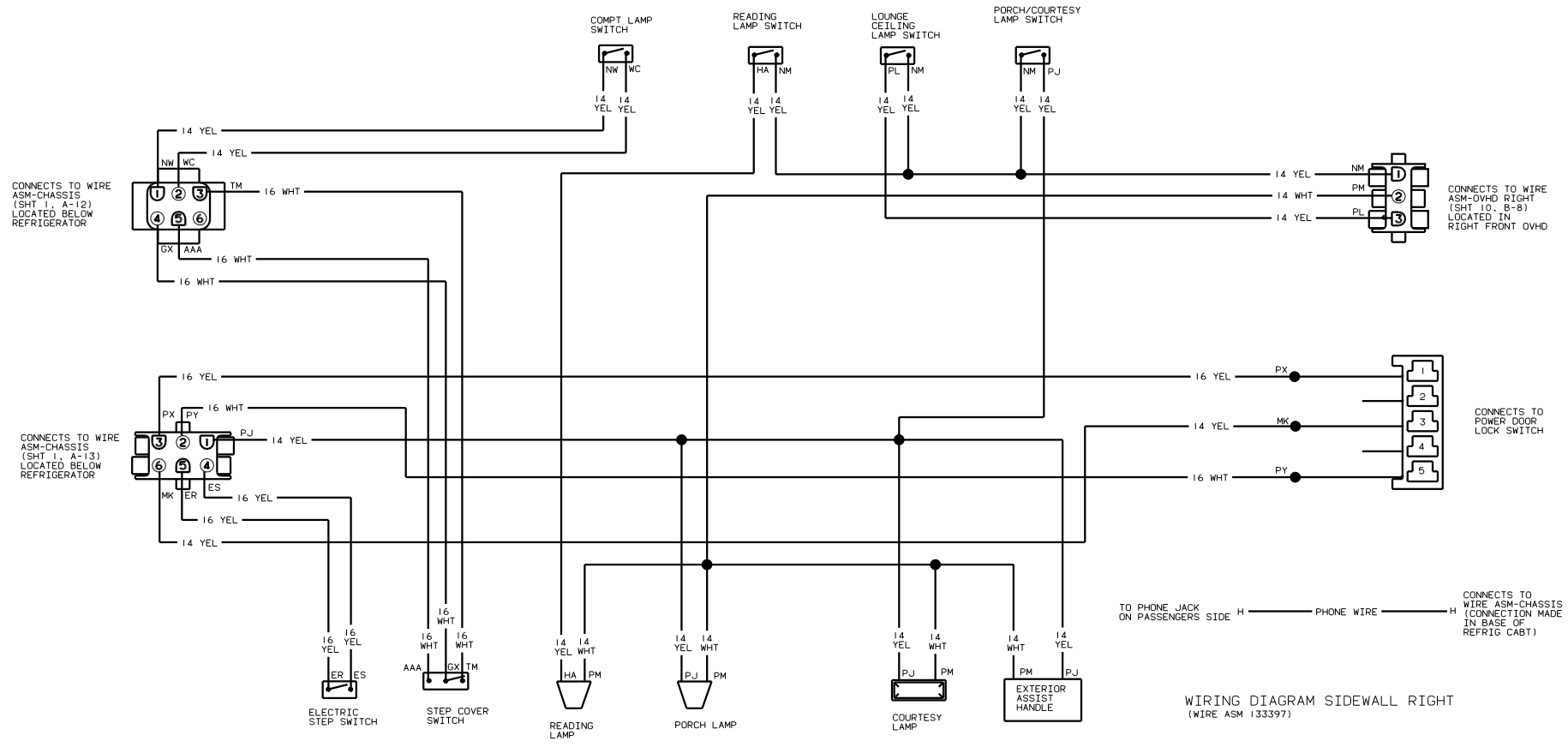


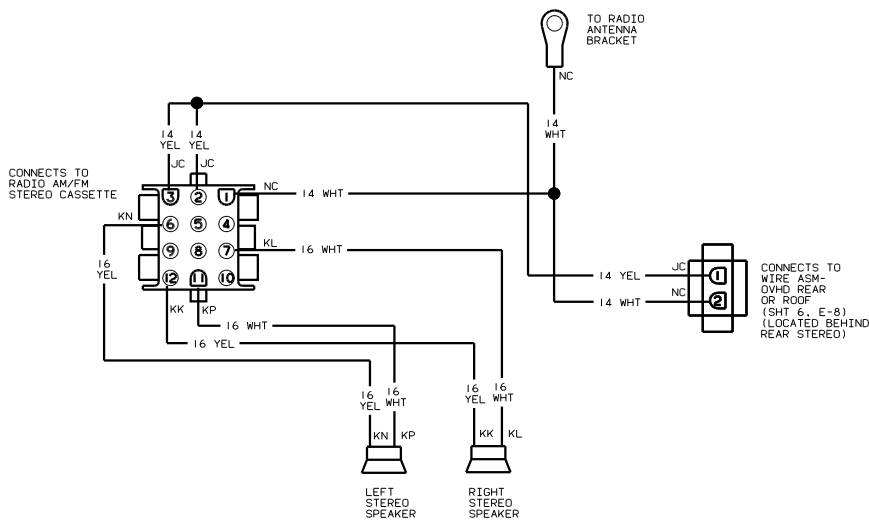
WIRING DIAGRAM DOOR LOCK
(WIRE ASM 132267)



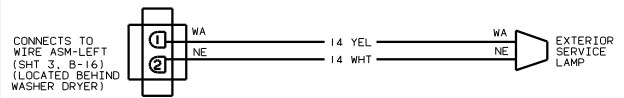
WIRING DIAGRAM-SPEAKER, DELUXE EXT
(WIRE ASM 124864-03)
(WITH RIVERPARK SYSTEM)

NOTES: SEE WIRING DIAGRAM AUTO FOR ADDITIONAL INFORMATION.





WIRING DIAGRAM REAR STEREO
(WIRE ASM 124336-12)



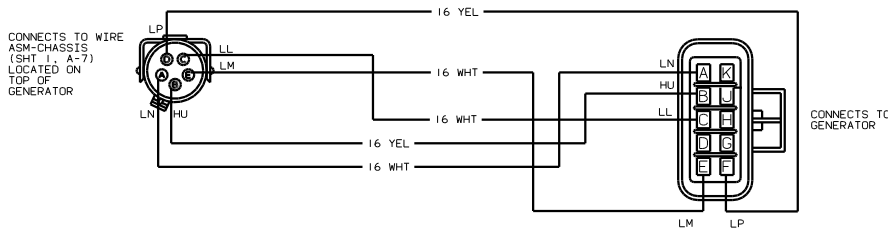
WIRING DIAGRAM SIDEWALL LEFT
(WIRE ASM 123754)



WIRING DIAGRAM PORCH LAMP
(WIRE ASM 93051-10)



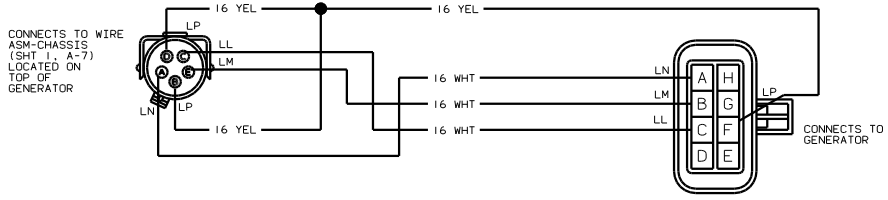
WIRING DIAGRAM SIDEWALL
(WIRE ASM 77093-12)



WIRING DIAGRAM-GEN ADAPTER, DIESEL
(WIRE ASM 130332-02)
(WITH DIESEL GENERATOR)



WIRING DIAGRAM-SIDE MARKER
(WIRE ASM 107775-04)



WIRING DIAGRAM-GEN ADAPTER, LP
(WIRE ASM 130332-01)
(WITH LP GENERATOR)



WIRING DIAGRAM-SIDE MARKER
(WIRE ASM 107775-04)