



**DANGER**

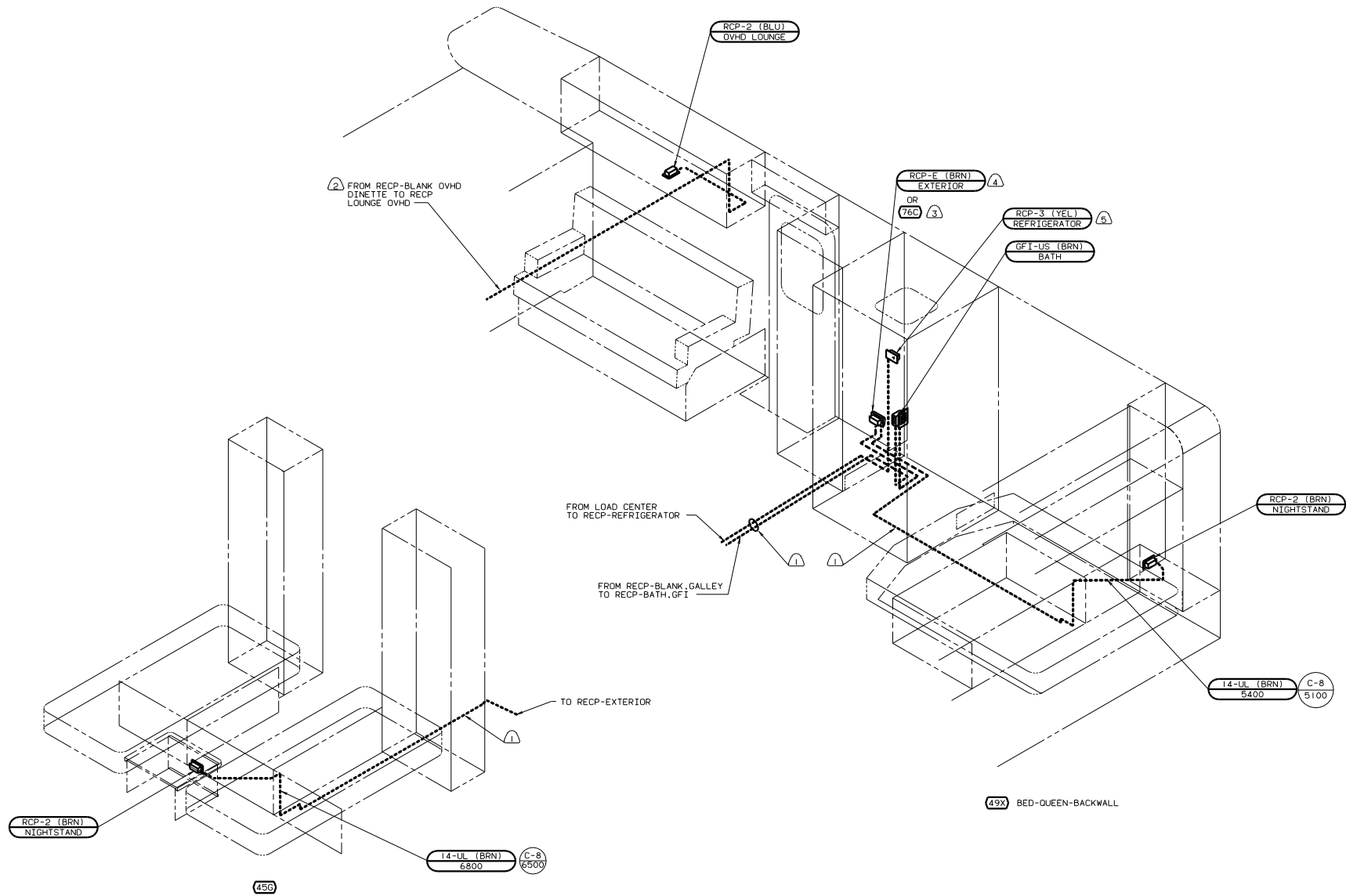
**Danger of electrical shock, burns or death.** Always remove all power sources before attempting any repair, service or diagnostic work. Power can be present from shore power, generator, inverter or battery. All power sources must be disabled and secured before performing any service.



**CAUTION**

If you lack the skills, tools or equipment to perform diagnostic or repair work leave such work to an authorized Winnebago Industries dealer or other qualified shop.





- ③ LOCATE RECEPTACLE ON REFRIGERATOR TIE DOWN BRACKET.
- ④ NOT USED WITH 76C
- ④ BEGETT INSTL-EXT FOR ADDITIONAL INFORMATION.
- ② WIRE ROUTED IN ROOF.
- ① WIRE ROUTED THRU FLOOR.

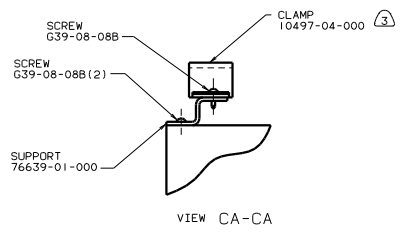
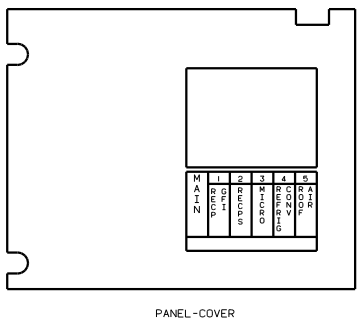
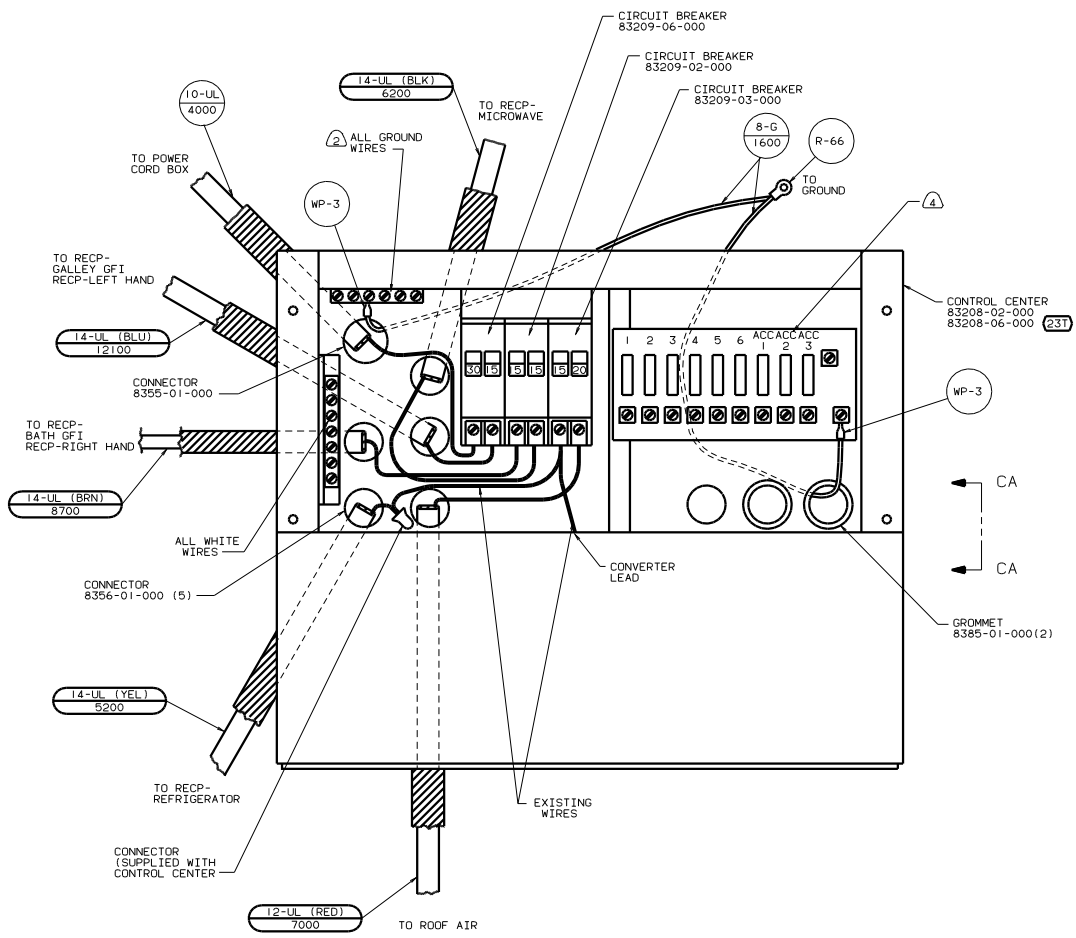
- ④5G BED-TWINS
- 76C ENTERTAINMENT CTR/EXT CSETTE
- ④9X BED-QUEEN-BACKWALL
- ①B CODES STANDARDS/USA
- ①2D ELECTRICAL SYSTEM 30 AMP

FOR ELECTRICAL TORQUE SPECIFICATIONS SEE DWG NO. 128763-01-000

FOR ELECTRICAL CALLOUTS SEE DWG NO. 121339-01-000

00 329N ①B ①2D  
 WIRING INSTL-BODY, 110 R30US  
 SHEET 2 OF 7 I.E. NO 133337

NOTES:



- NOTES:
- SEE WIRING INSTALLATION BODY, 12V FOR ADDITIONAL INFORMATION.
  - FASTEN ALL WIRES TO SUPPORT, USE ONE SCREW PER CLAMP.
  - ALL GROUND WIRES TO BE COVERED WITH TUBING 8041-02-000.
  - ALL CABLES SHALL BE COVERED WITH CONDUIT-CONVOLUTE SLIT 41953-01-000 UNLESS OTHERWISE SPECIFIED, 600 LESS THAN CABLE LENGTH.

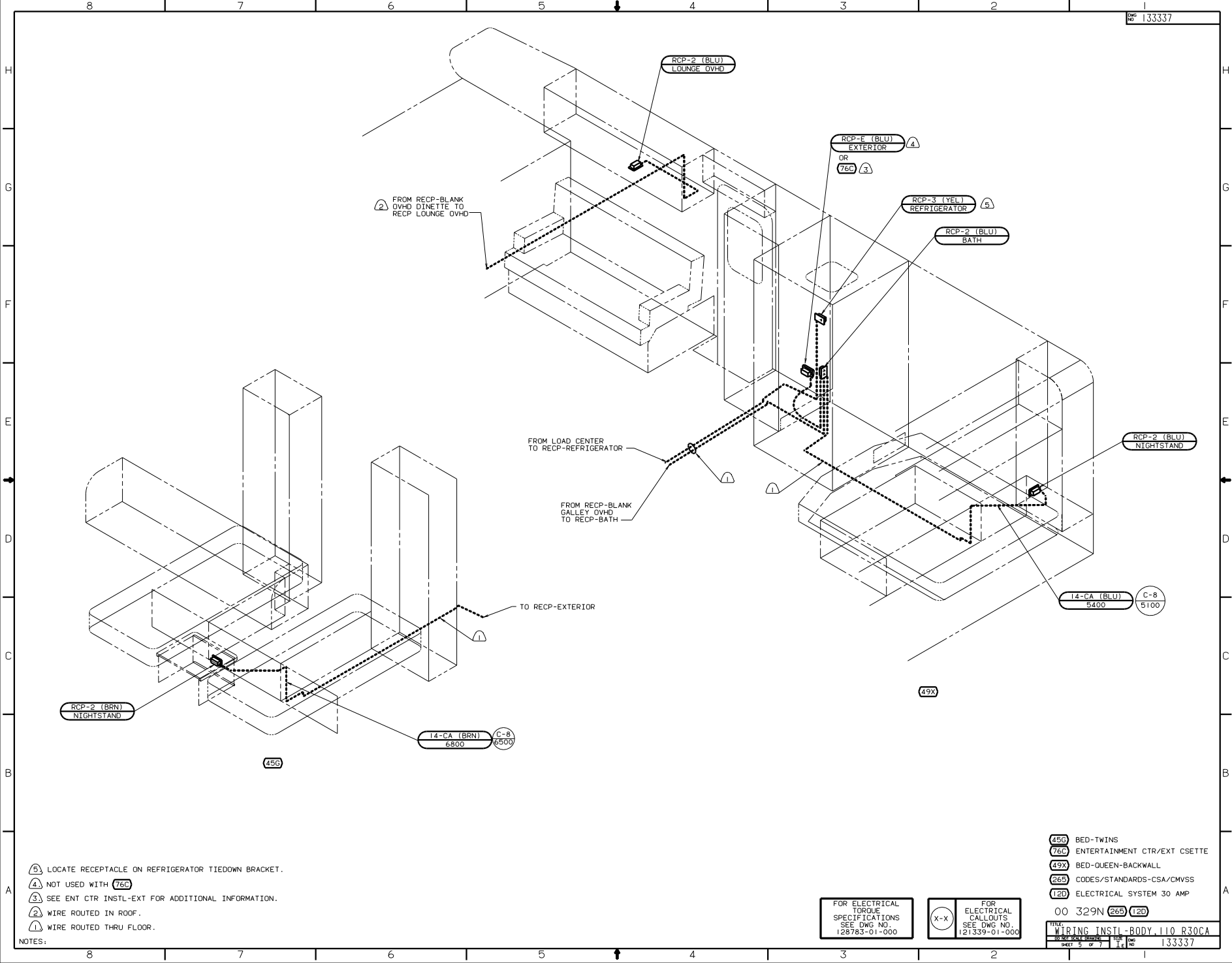
(237) HEATED HOLDING TANKS-PACKAGE  
 (120) ELECTRICAL SYSTEM 30 AMP  
 (1B1) CODES/STANDARDS USA

FOR ELECTRICAL TORQUE SPECIFICATIONS SEE DWG NO. 128783-01-000

FOR ELECTRICAL CALL-OUTS SEE DWG NO. 121339-01-000

00 329N (1B1) (120)  
 FILE: WIRING INSTL-BODY.110 LC300S  
 SHEET 3 OF 7





- ⑤ LOCATE RECEPTACLE ON REFRIGERATOR TIEDOWN BRACKET.
- ④ NOT USED WITH 76C
- ③ SEE ENT CTR INSTL-EXT FOR ADDITIONAL INFORMATION.
- ② WIRE ROUTED IN ROOF.
- ① WIRE ROUTED THRU FLOOR.

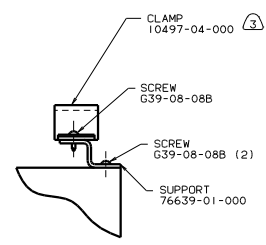
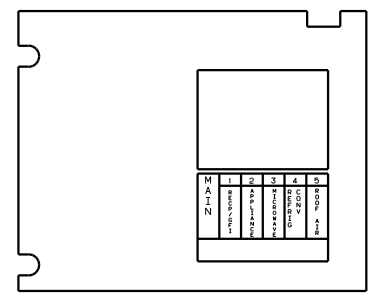
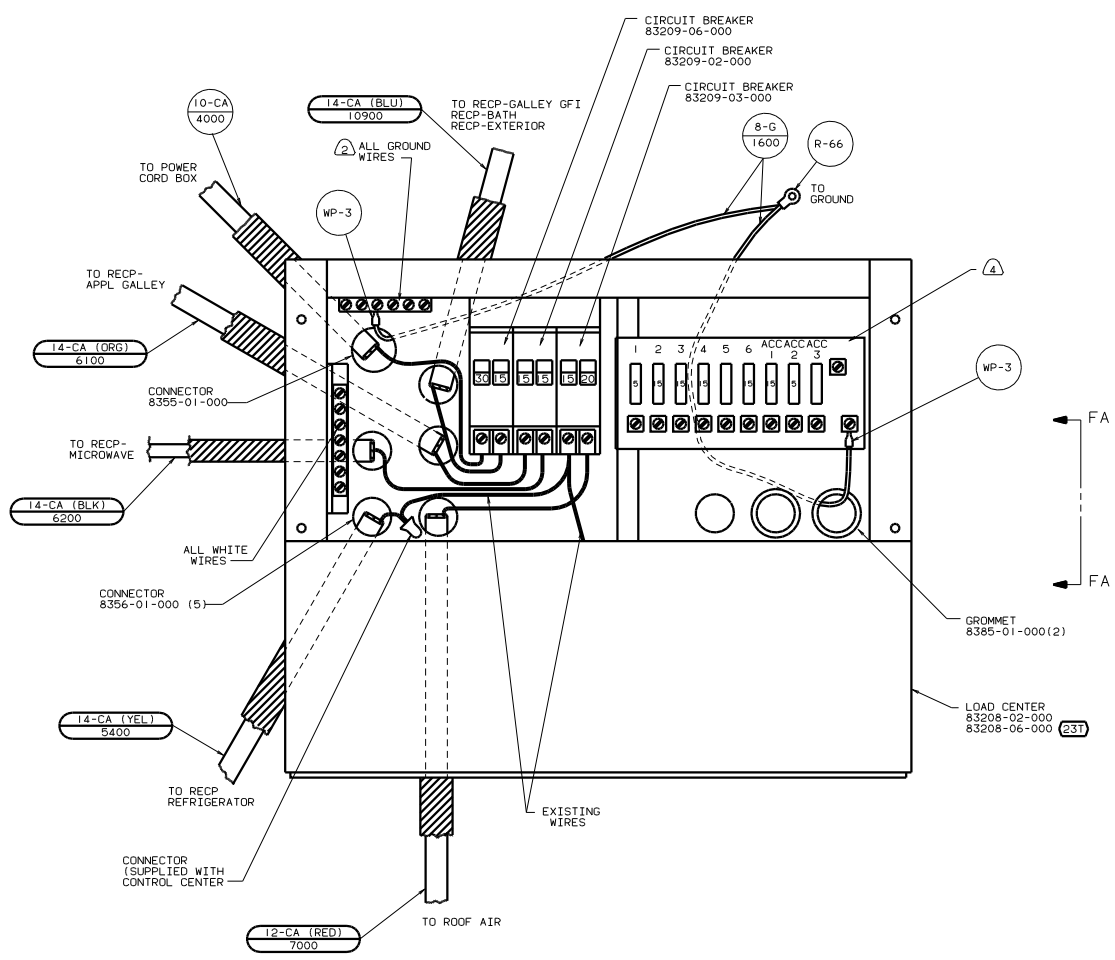
NOTES:

- 45G BED-TWINS
- 76C ENTERTAINMENT CTR/EXT CSETTE
- 49X BED-QUEEN-BACKWALL
- 265 CODES/STANDARDS-CSA/CMVSS
- 120 ELECTRICAL SYSTEM 30 AMP

FOR ELECTRICAL TORQUE SPECIFICATIONS SEE DWG NO. 128783-01-000

FOR ELECTRICAL CALLOUTS SEE DWG NO. 121339-01-000

00 329N 265 120  
 TITLE: WIRING INSTL-BODY, 110\_R30CA  
 SHEET 5 OF 7  
 133337



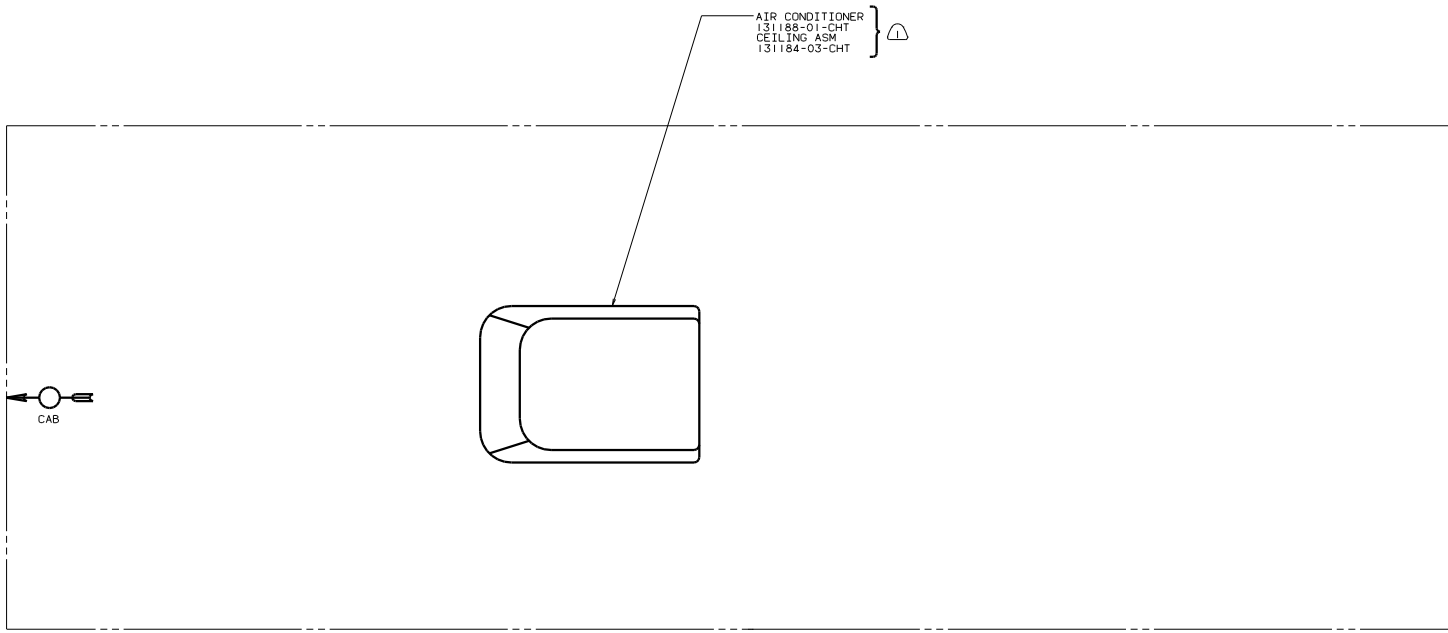
- NOTES:
- (4) SEE WIRING INSTALLATION BODY.12V FOR ADDITIONAL INFORMATION.
  - (3) FASTEN ALL WIRES TO SUPPORT. USE ONE SCREW PER CLAMP.
  - (2) ALL GROUND WIRES TO BE COVERED WITH TUBING 8041-02-000.
  - (1) ALL CABLES SHLL BE COVERED WITH CONDUIT-CONVOLUTE SLIT 41953-01-000 UNLESS OTHERWISE SPECIFIED. 600 LESS THAN CABLE LENGTH.

FOR ELECTRICAL TORQUE SPECIFICATIONS SEE DWG NO. 128783-01-000

FOR ELECTRICAL CALLOUTS SEE DWG NO. 121339-01-000

(231) HEATED HOLDING TANKS-PACKAGE  
 (265) CODES/STANDARDS-CSA/CMVSS  
 (120) ELECTRICAL SYSTEM 30 AMP  
 00 329N (265) (120)

TITLE: WIRING INSTL-BODY.110 LC30CA  
 SHEET 6 OF 7  
 DWG NO 133337



CAB

AIR CONDITIONER  
 131188-01-CHT  
 CEILING ASM  
 131184-03-CHT

⚠

- (250) A/C ROOF AIR (1) 14,800 BTU
- (265) CODES/STANDARDS-CSA/CMVSS
- (181) CODES/STANDARDS USA

00 329N (181) (265) (250)

⚠ SEE WIRING INSTL-BODY, 12V FOR  
 ADDITIONAL INFORMATION.

NOTES: