



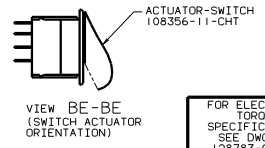
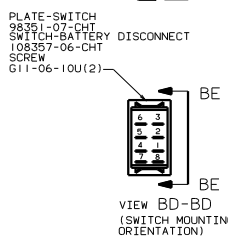
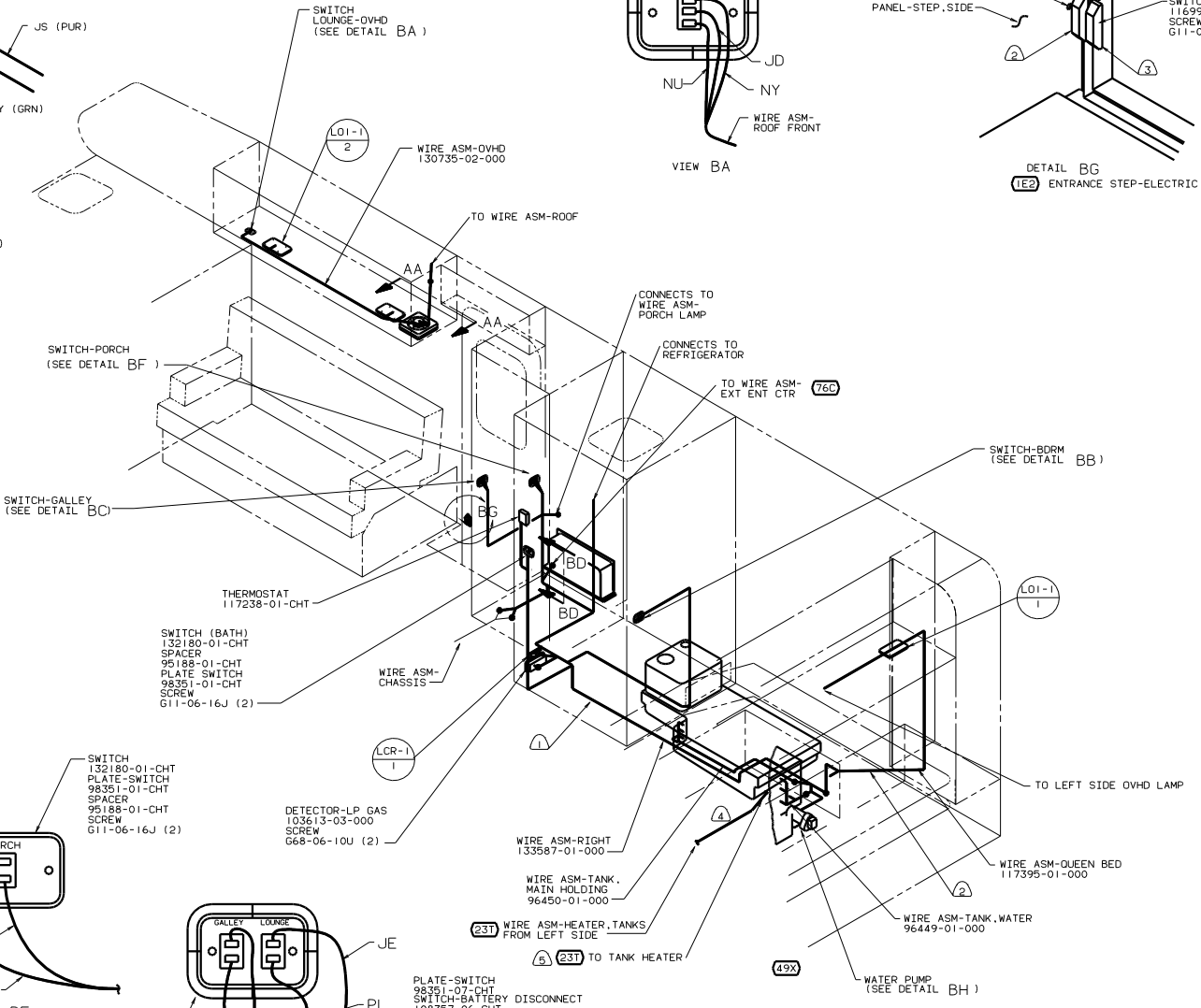
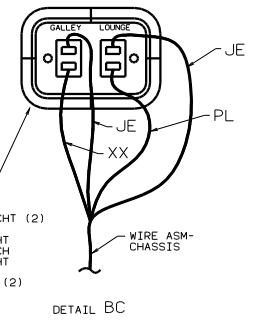
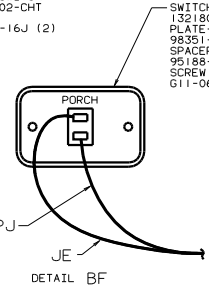
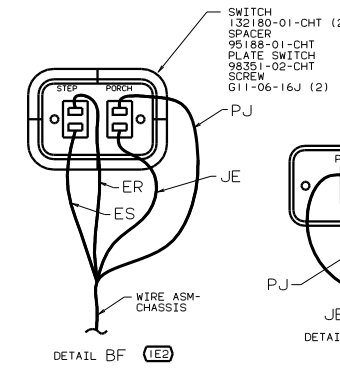
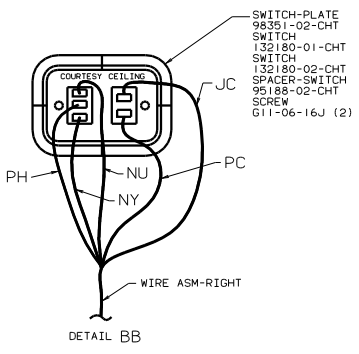
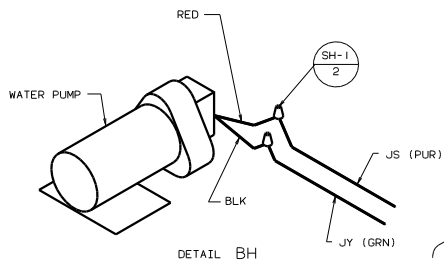
DANGER

Danger of electrical shock, burns or death. Always remove all power sources before attempting any repair, service or diagnostic work. Power can be present from shore power, generator, inverter or battery. All power sources must be disabled and secured before performing any service.



CAUTION

If you lack the skills, tools or equipment to perform diagnostic or repair work leave such work to an authorized Winnebago Industries dealer or other qualified shop.

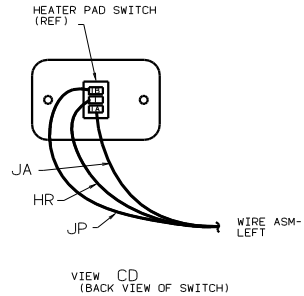
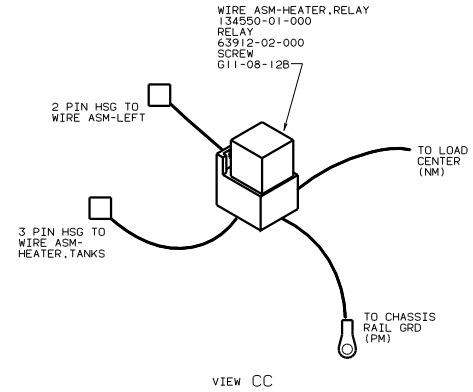
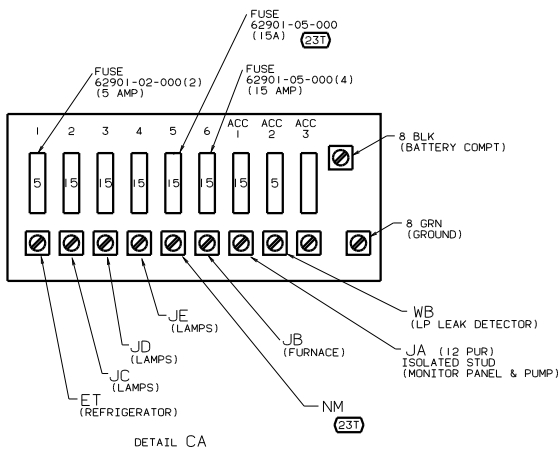
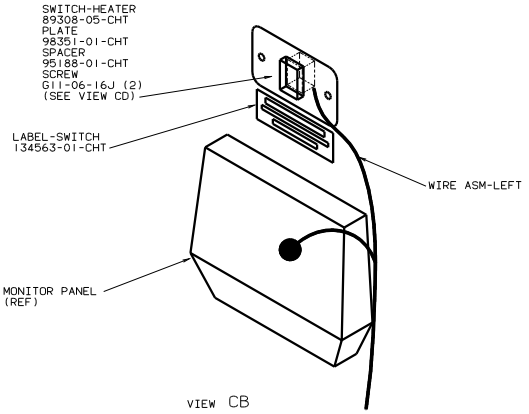
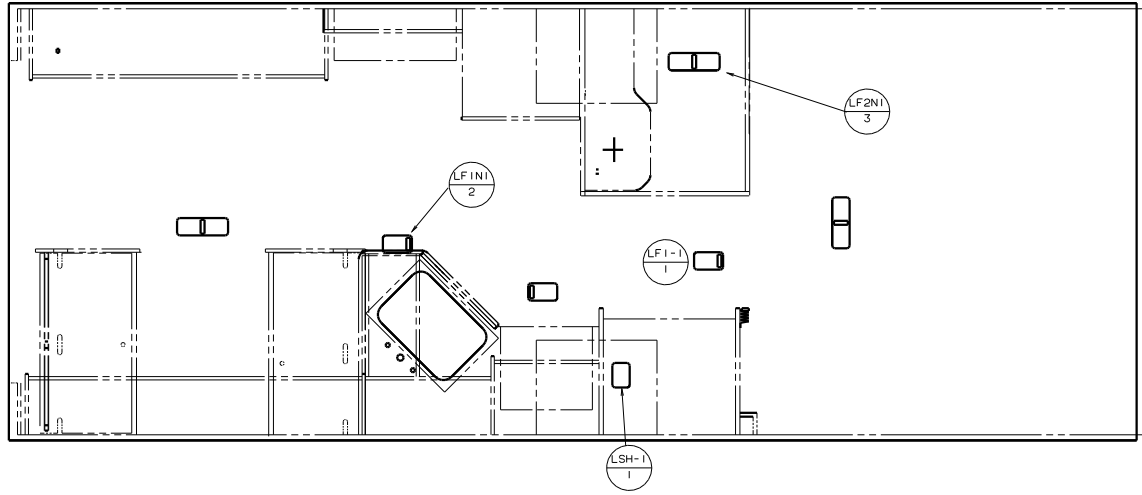


- NOTES:
- ⑤ SEE DRAINAGE SYSTEM INSTL FOR HEATER PAD PART NUMBERS AND LOCATION.
 - ④ ROUTE WIRES ALONG DRAINAGE PIPE.
 - ③ MOUNT MAGNET USING PILOT HOLE IN SCREEN DOOR FRAME. MOUNT WITH MAGNET TOWARD SWITCH.
 - ② MOUNT SWITCH AND SPACER TO BLOCK ON JAMB ADJUST HEIGHT TO MATCH MAGNET.
 - ① WIRE ROUTED THRU FLOOR.

- (23T) HEATED HOLDING TANKS-PACKAGE
- (760) ENTERTAINMENT CTR/EXT CSETTE
- (49X) BED-QUEEN-BACKWALL
- (26S) CODES/STANDARDS-CSA/CMVSS
- (IE2) ENTRANCE STEP-ELECTRIC
- (1B1) CODES STANDARDS/USA

FOR ELECTRICAL TORQUE SPECIFICATIONS SEE DWG NO. 128783-01-000

FOR ELECTRICAL CALL OUTS SEE DWG NO. 121339-01-000



(23T) HEATED HOLDING TANKS-PACKAGE
 (265) CODES/STANDARDS-CSA/CMVSS
 (1B1) CODES/STANDARDS USA

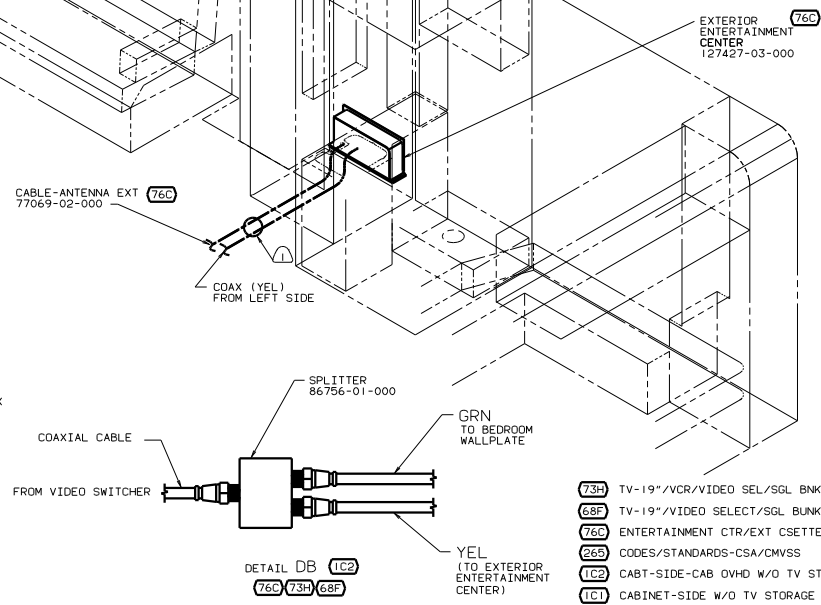
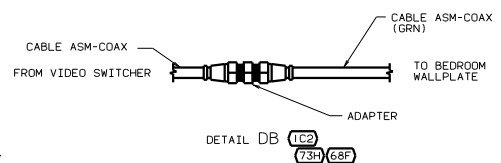
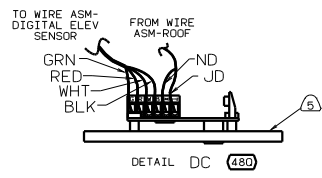
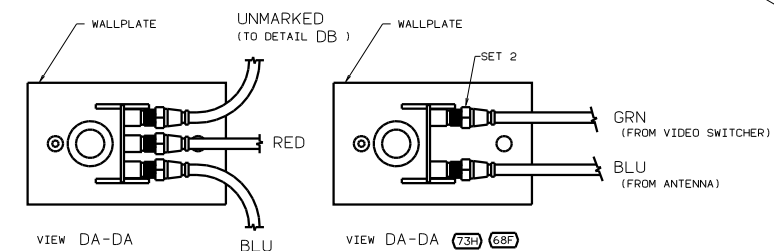
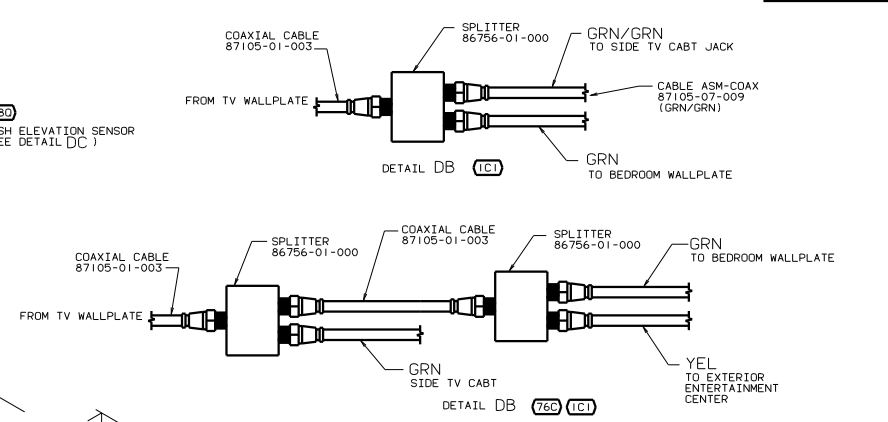
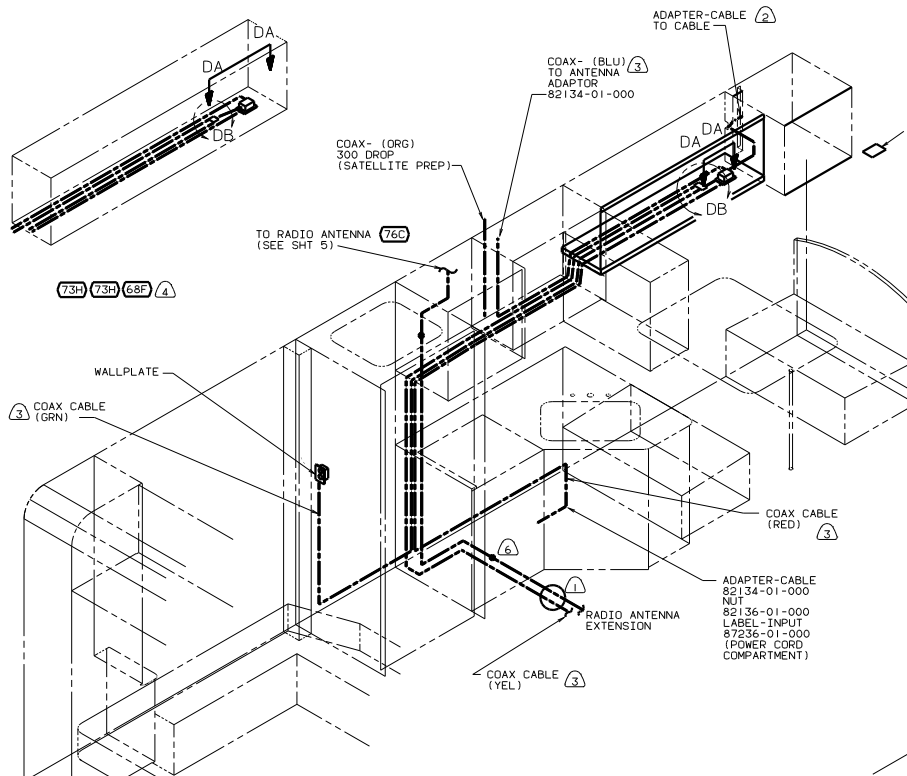
FOR ELECTRICAL TORQUE SPECIFICATIONS SEE DWG NO. 128783-01-000

(X-X)

FOR ELECTRICAL CALLOUTS SEE DWG NO. 121339-01-000

00 329N (1B1)

FILE: WIRING INSTL-BODY, 12V LAMPS
 SHEET 3 OF 5



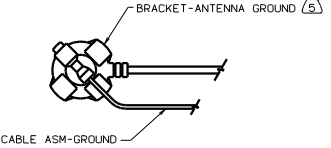
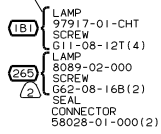
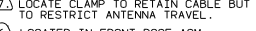
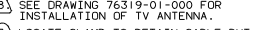
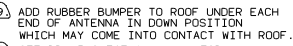
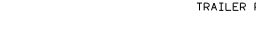
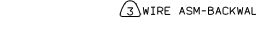
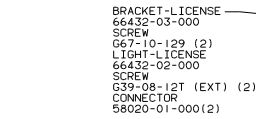
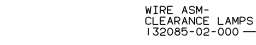
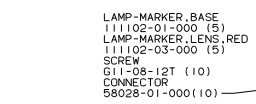
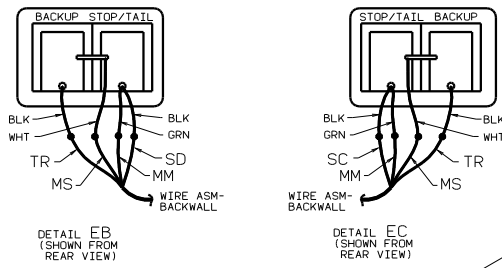
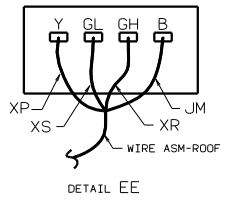
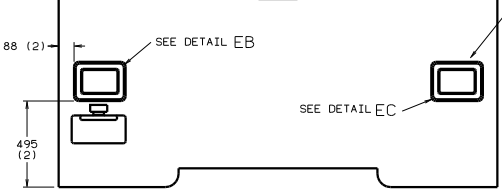
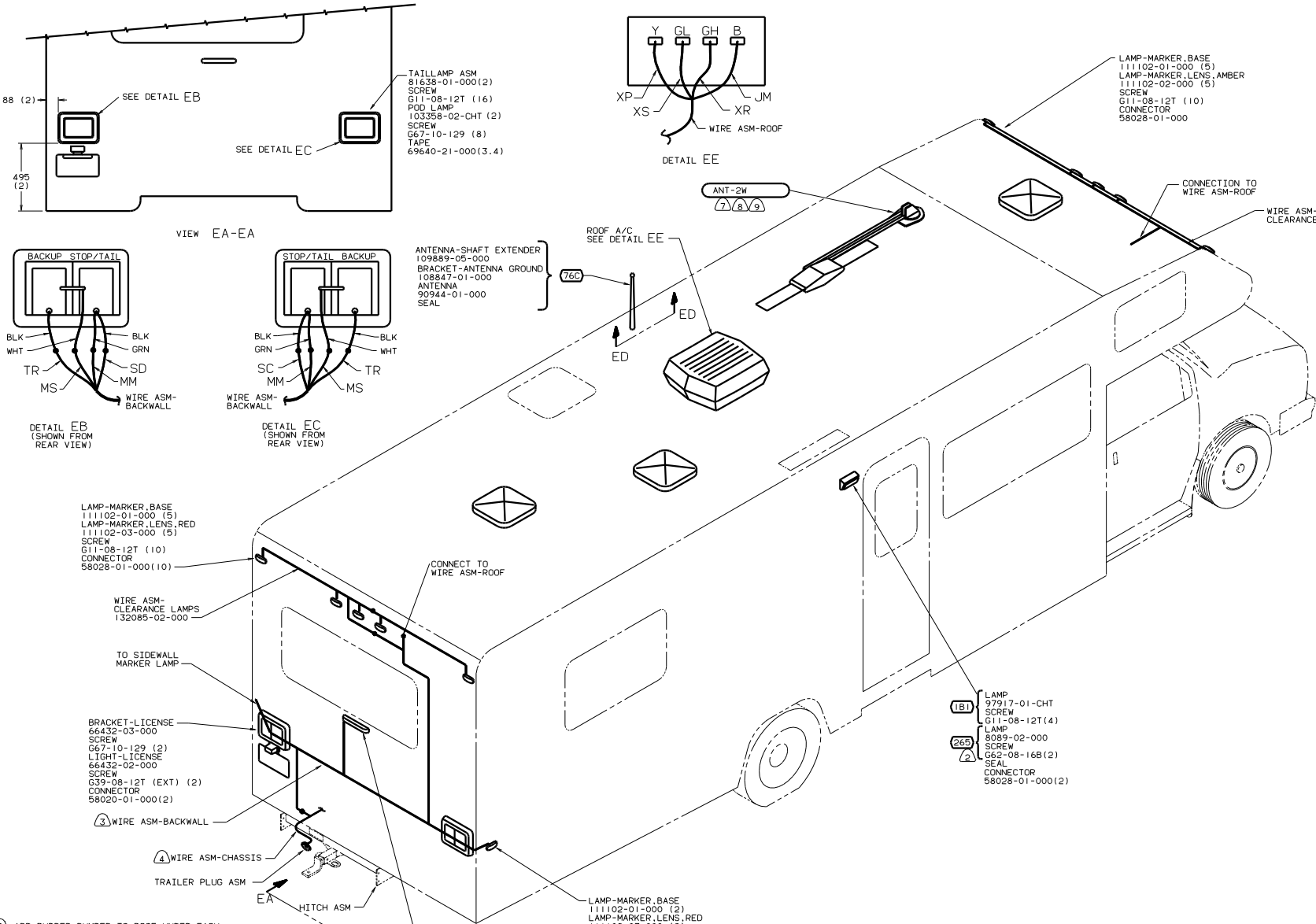
- ⑥ TAPE CONNECTOR ASM'S TOGETHER WHERE ANTENNA CABLE MEETS EXTENSION.
- ⑤ SENSOR ASM IS SUPPLIED WITH THE DISH INSTL KIT.
- ④ SEE WIRING INSTALLATION TV/VCR FRONT FOR ADDITIONAL INFORMATION.
- ③ COAX CABLE IS AN INTEGRAL PART OF WIRE ASM-LEFT.
- ② SEE WIRING INSTL-TV/VCR,SIDE FOR ADDITIONAL INFORMATION.
- ① ROUTE COAX CABLE THRU FLOOR.

- 73H TV-19"/VCR/VIDEO SEL/SGL BNK
- 68F TV-19"/VIDEO SELECT/SGL BUNK
- 76C ENTERTAINMENT CTR/EXT CSETTE
- 265 CODES/STANDARDS-CSA/CMVSS
- 1C2 CABT-SIDE-CAB OVHD W/O TV ST
- 1C1 CABINET-SIDE W/O TV STORAGE
- 1B1 CODES STANDARDS/USA

FOR ELECTRICAL TORQUE SPECIFICATIONS SEE DWG NO. 128783-01-000

FOR ELECTRICAL CALLOUTS SEE DWG NO. 121339-01-000

X-X



VIEW ED-ED

- 9. ADD RUBBER BUMPER TO ROOF UNDER EACH END OF ANTENNA IN DOWN POSITION WHICH MAY COME INTO CONTACT WITH ROOF.
- 8. SEE DRAWING 76319-01-000 FOR INSTALLATION OF TV ANTENNA.
- 7. LOCATE CLAMP TO RETAIN CABLE BUT NOT TO RESTRICT ANTENNA TRAVEL.
- 6. LOCATED IN FRONT ROOF ASM.
- 5. WRAP BRACKET LEGS AROUND ANTENNA BASE.
- 4. SECURE WIRE BELOW COACH WITH CLAMP 10495-01-000 AND SCREW G67-10-12B.
- 3. LOCATED IN BACKWALL ASM.
- 2. INSTALL WITH WIRES TOWARDS ROOF.

NOTES:

1. CONNECTOR-PLUG, TRAILER 113589-01-000 TO BE SUPPLIED LOOSE IN COACH WITH TRAILER TOW PACKAGE.

76C ENTERTAINMENT CTR/EXT CSETTE

265 CODES/STANDARDS-CSA/CMVSS

1B1 CODES STANDARDS/USA

00 329N 1B1 265

FILED
WIRING INSTL-BODY 12V EXT
NO. 5 OF 5
133336