



DANGER

Danger of electrical shock, burns or death. Always remove all power sources before attempting any repair, service or diagnostic work. Power can be present from shore power, generator, inverter or battery. All power sources must be disabled and secured before performing any service.



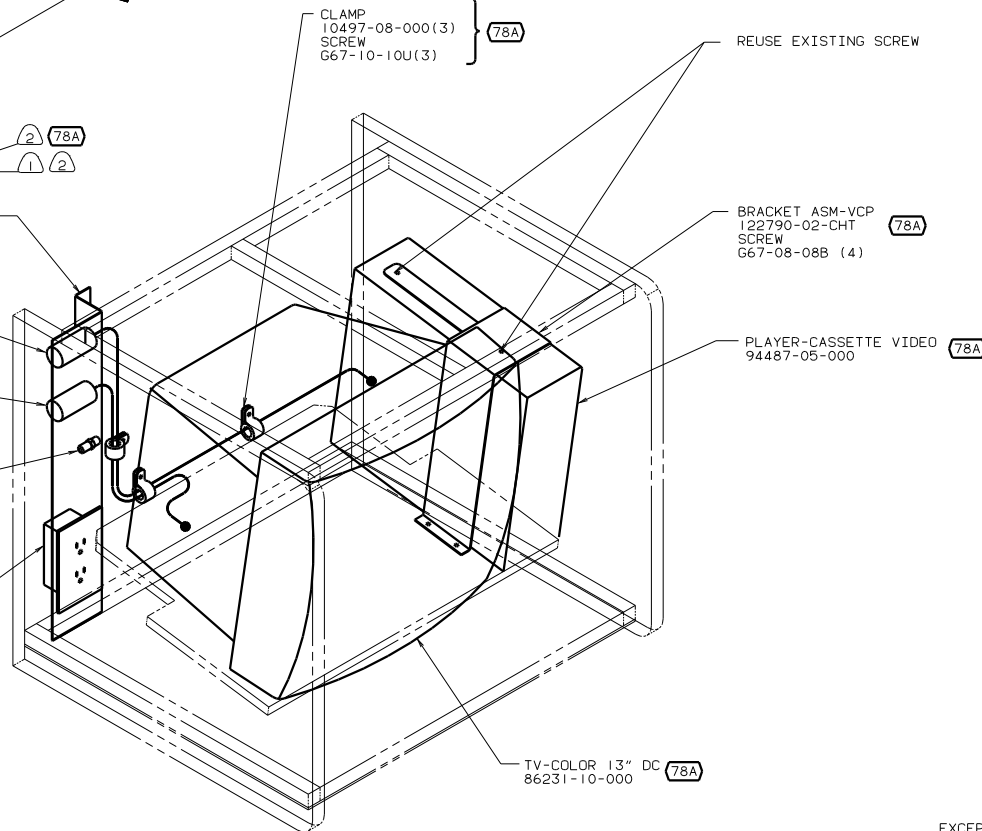
CAUTION

If you lack the skills, tools or equipment to perform diagnostic or repair work leave such work to an authorized Winnebago Industries dealer or other qualified shop.

DWG NO.	SHEET
133318-01	1 & 2
133318-02	3,5,6
133318-03	4,5,6

RELEASE	REV	DATE	OF TR	ADM	DRG	NO	133318
REV	ZONE	REVISION RECORD			DATE	PTFR-ORIG	

D
C
B
A

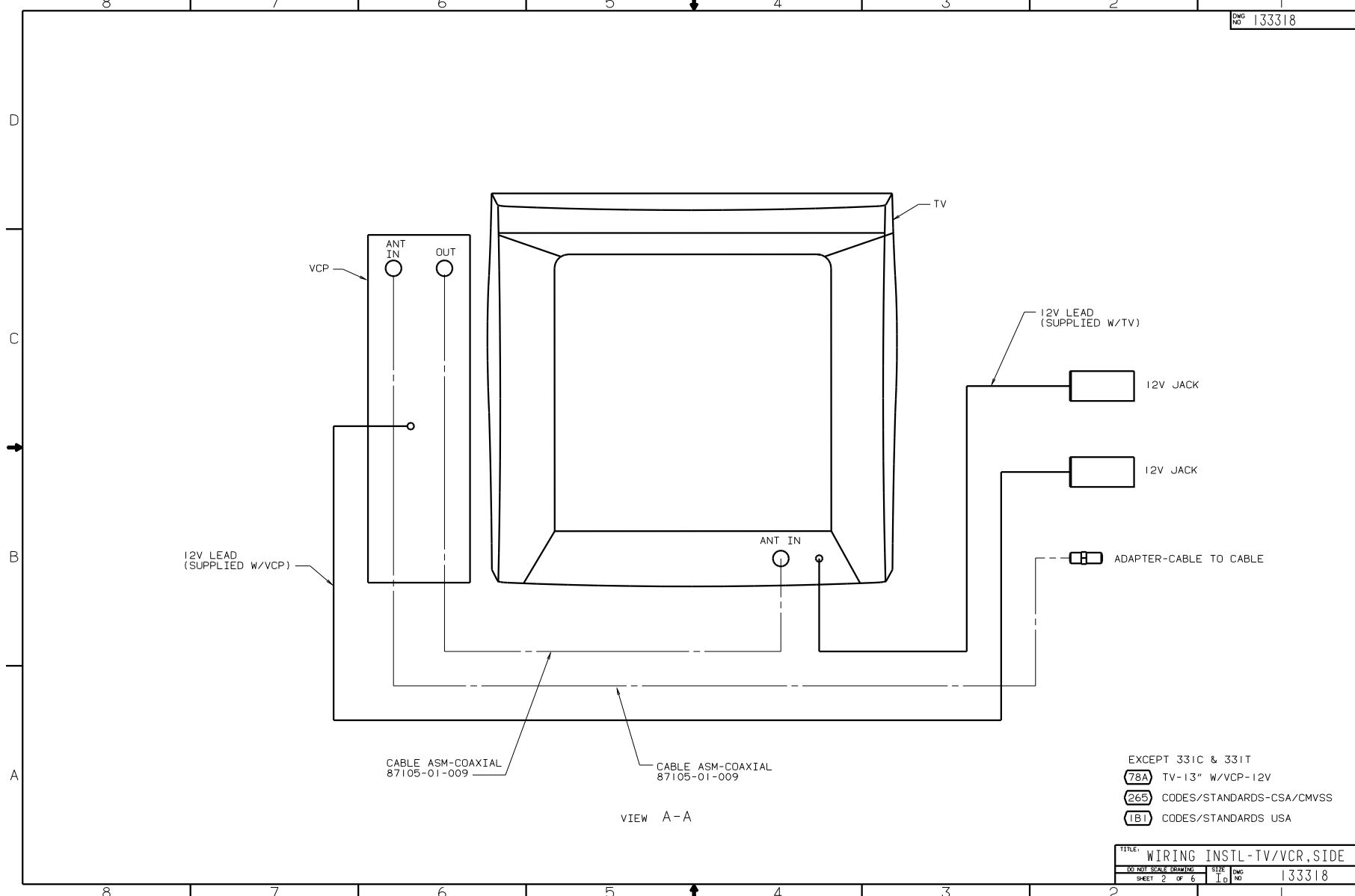


- CLAMP 10497-08-000(3) SCREW G67-10-10U(3) (78A)
- REUSE EXISTING SCREW
- BRACKET-ZEE 122469-01-CHT (2) (78A), 122469-02-CHT (1) (2), 122469-03-CHT (1) (2)
- SCREW G39-08-08B (5) (03T)
- RECEPTACLE-12V 111414-01-000
- RECEPTACLE-12V 111414-01-000 (78A)
- ADAPTER-CABLE TO CABLE 82134-01-000
- RECP 86738-01-CHT (2) (1), RECP 112590-01-000 (1) (03T), FERRULE 123563-01-000(3)
- BRACKET ASM-VCP 122790-02-CHT SCREW G67-08-08B (4) (78A)
- PLAYER-CASSETTE VIDEO 94487-05-000 (78A)
- TV-COLOR 13" DC 86231-10-000 (78A)

- EXCEPT 331C AND 331T
- (78A) TV-13" W/VCP-12V
- (265) CODES/STANDARDS-CSA/CMVSS
- (1B1) CODES/STANDARDS USA
- (03T) EUROPEAN EXPORT PREP PACKAGE

(2) NOT USED WITH 03T EUROPEAN EXPORT PREP.
 (1) NOT USED WITH (78A)

LAYOUT NO. _____		TITLE: WIRING INSTL-TV/VCR SIDE	
		DIA # _____ SCALE: NONE	
ALL DIMENSIONS ARE IN MILLIMETERS		SHEET 1 OF 6	
DWG NO. 133318		I.D. NO. 133318	



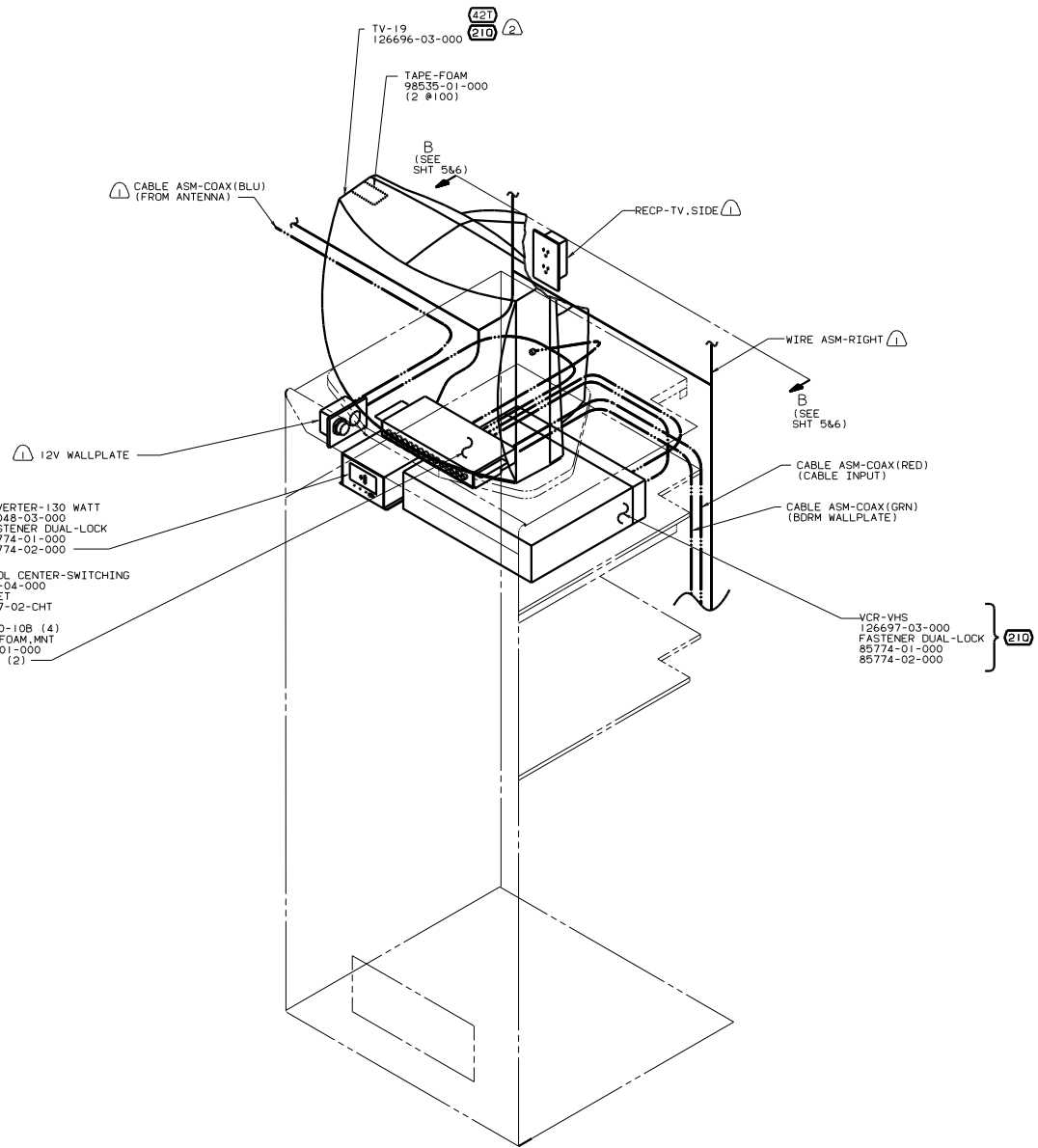
CABLE ASM-COAXIAL 87105-01-009

CABLE ASM-COAXIAL 87105-01-009

VIEW A-A

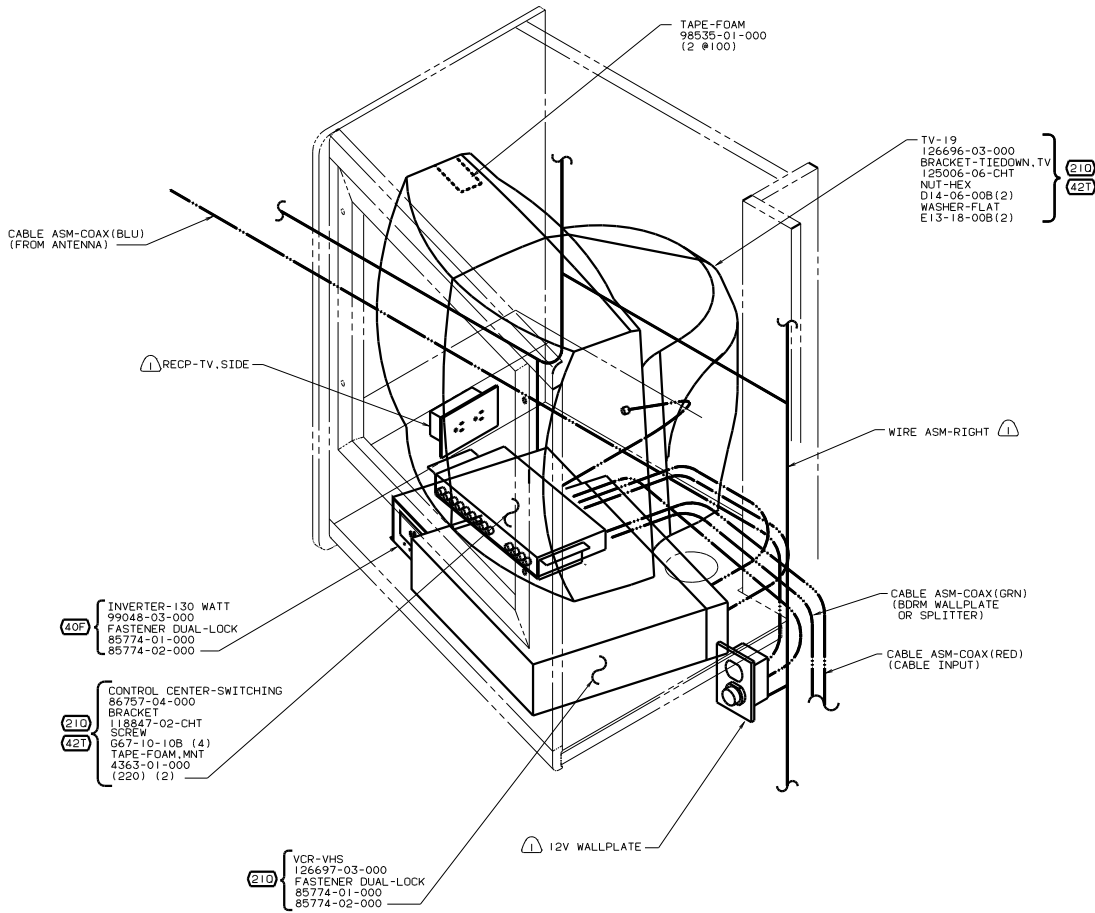
- EXCEPT 331C & 331T
- (78A) TV-13" W/VCP-12V
- (265) CODES/STANDARDS-CSA/CMVSS
- (B1) CODES/STANDARDS USA

TITLE: WIRING INSTL-TV/VCR,SIDE	
DO NOT SCALE DRAWING	SIZE DWG NO 133318
SHEET 2 OF 6	



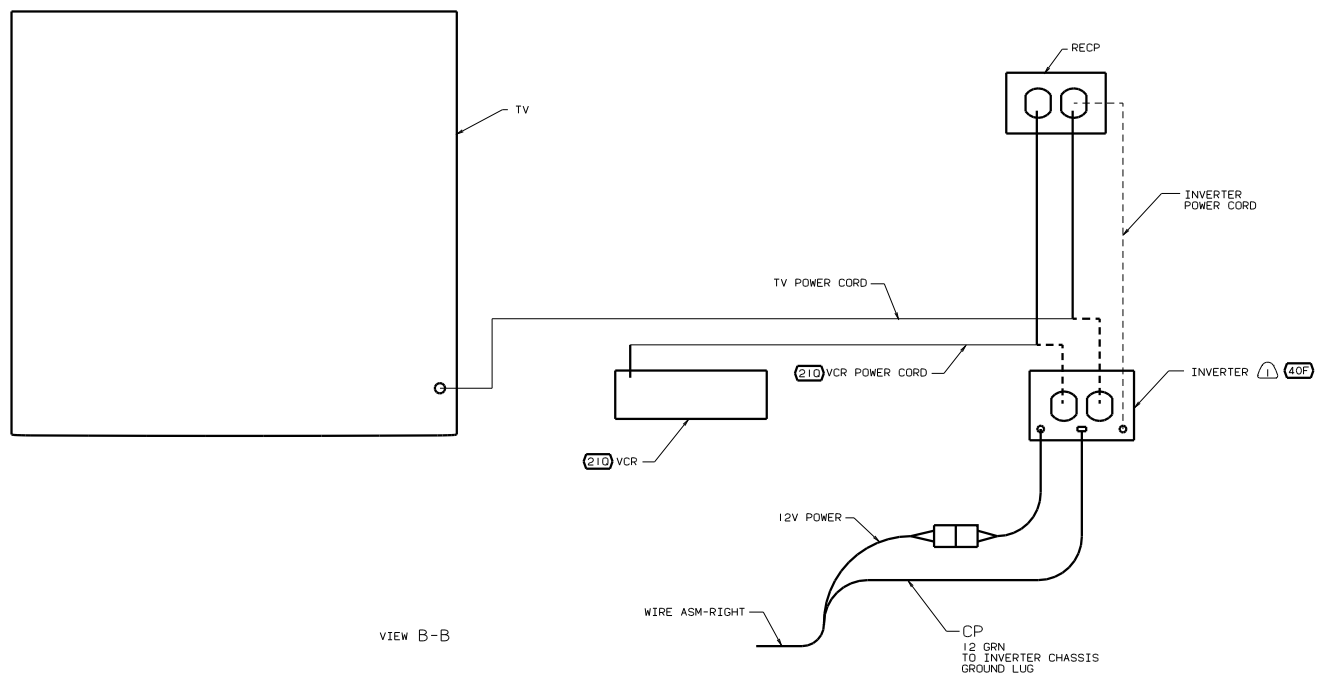
(2) SEE CABINET ASM-SHELF-TV FOR TIEDOWNS.
 (1) SEE WIRING INSTL-BODY FOR ADDITIONAL INFORMATION.

- 331C SIDE
 ENTERTAINMENT CENTER
- (421) TV-19" FRONT W/VIDEO SEL
 - (40F) INVERTER-DC/AC-130W
 - (265) CODES/STANDARDS-CSA/CMVSS
 - (210) TV-19" W/VCR/VIDEO SELECTION
 - (181) CODES/STANDARDS USA



SEE WIRING INSTL-BODY FOR ADDITIONAL INFORMATION.

- 331T SIDE ENTERTAINMENT CENTER
- (421) TV-19" FRONT W/VIDEO SEL
 - (40F) INVERTER-DC/AC-130W
 - (265) CODES/STANDARDS-CSA/CMVSS
 - (210) TV-19" W/VCR/VIDEO SELECTION
 - (181) CODES/STANDARDS USA



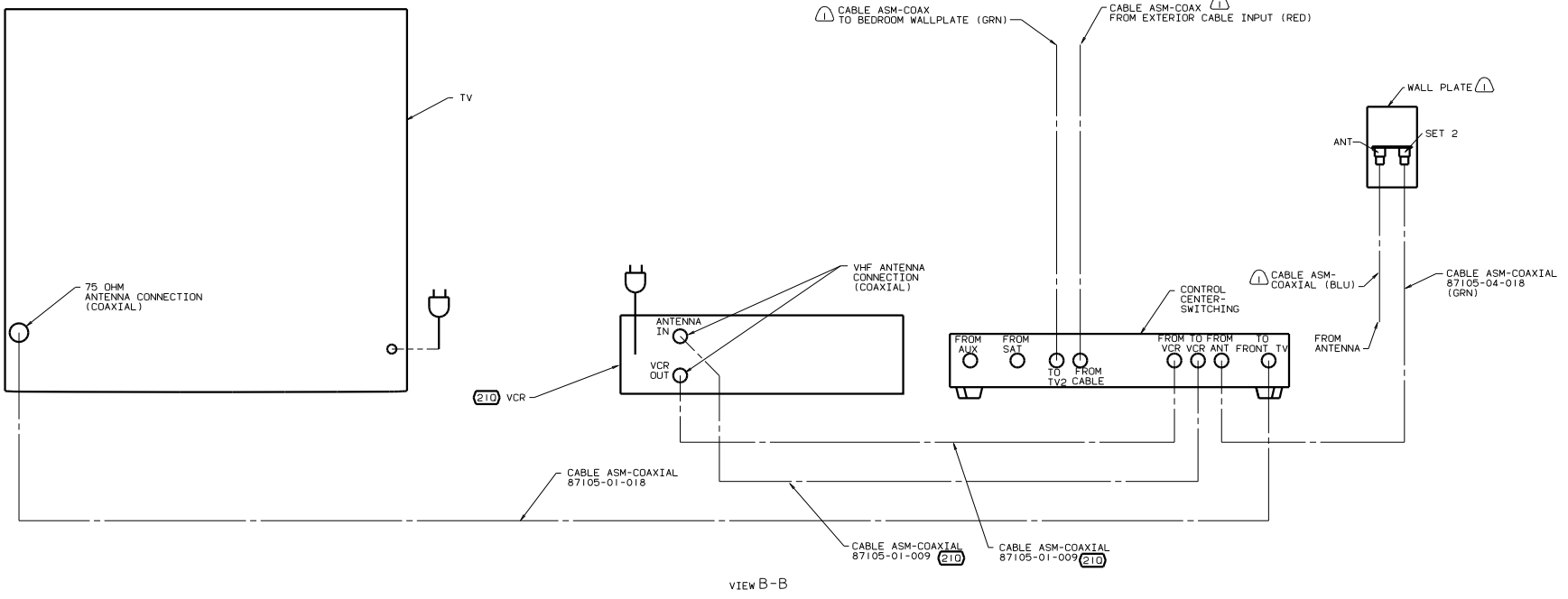
VIEW B-B

- 331C & 331T 110V AND 12V
- (42T) TV-19" FRONT W/VIDEO SEL
- (40F) INVERTER-DC/AC-130W
- (26S) CODES/STANDARDS-CSA/CMVSS
- (21D) TV-19" W/VCR/VIDEO SELECTION
- (1B1) CODES/STANDARDS USA

NOTES:

1 WITH (40F) PLUG TV OR (TV AND VCR) INTO INVERTER. PLUG INVERTER INTO RECP-ENTERTAINMENT CTR.

TITLE: WIRE INSTL - TV/VCR SIDE	
NO. OF SHEETS: 6	SHEET NO: 5
DATE: 11/81	DESIGNER: J.E.
133318	



VIEW B-B

- 00 331C & 331T
COAX CONNECTION
- (42T) TV-19" FRONT W/VIDEO SEL
 - (26S) CODES/STANDARDS-CSA/CMVSS
 - (210) TV-19" W/VCR/VIDEO SELECTION
 - (18T) CODES/STANDARDS USA

SEE WIRING INSTL-BODY FOR ADDITIONAL INFORMATION.

NOTES:

TITLE: WIRE INSTL-TV/VCR SIDE	
DATE: 11/84	REV: 1
SHEET: 6 OF 6	FIG NO: 133318