



DANGER

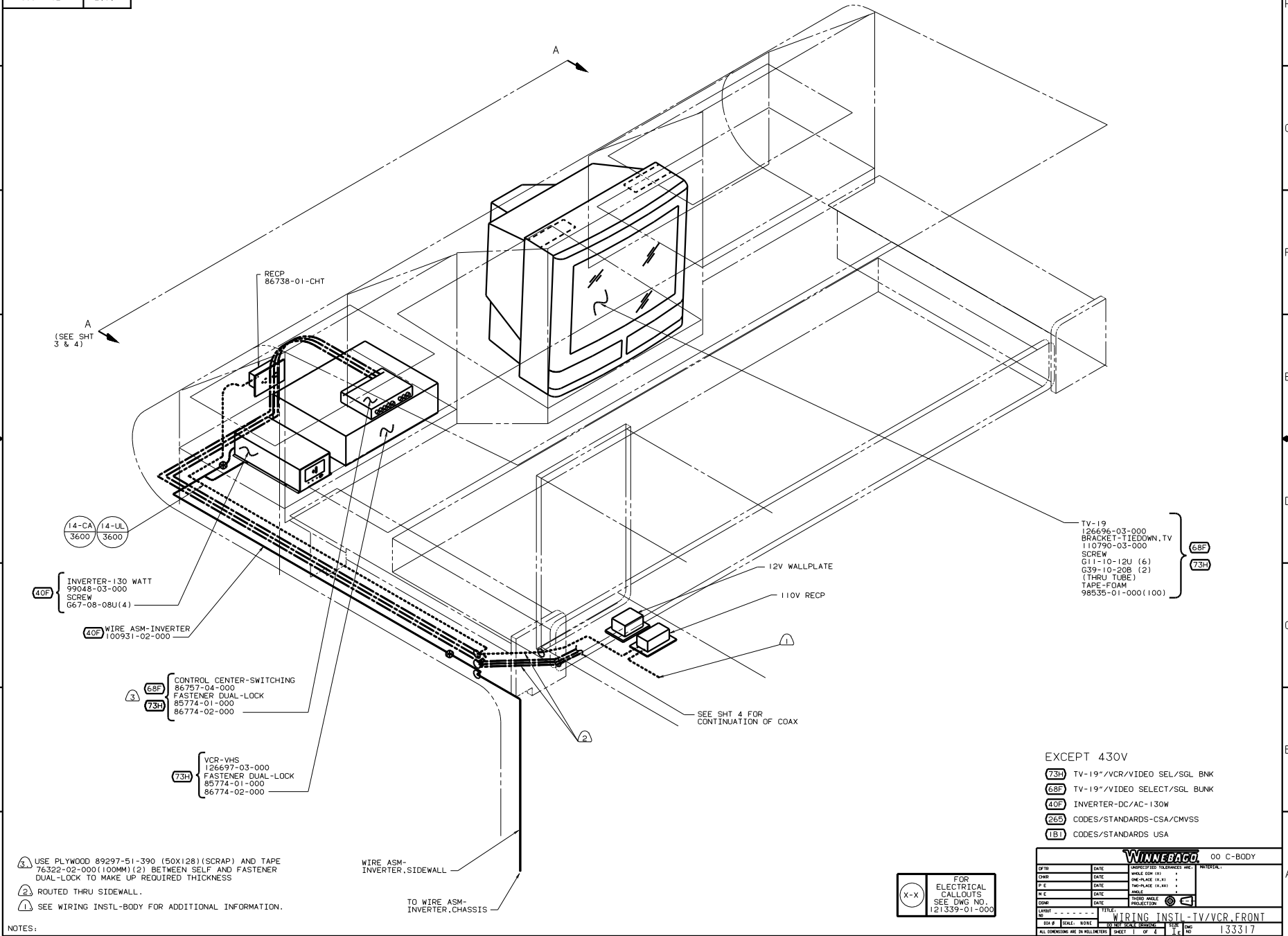
Danger of electrical shock, burns or death. Always remove all power sources before attempting any repair, service or diagnostic work. Power can be present from shore power, generator, inverter or battery. All power sources must be disabled and secured before performing any service.



CAUTION

If you lack the skills, tools or equipment to perform diagnostic or repair work leave such work to an authorized Winnebago Industries dealer or other qualified shop.

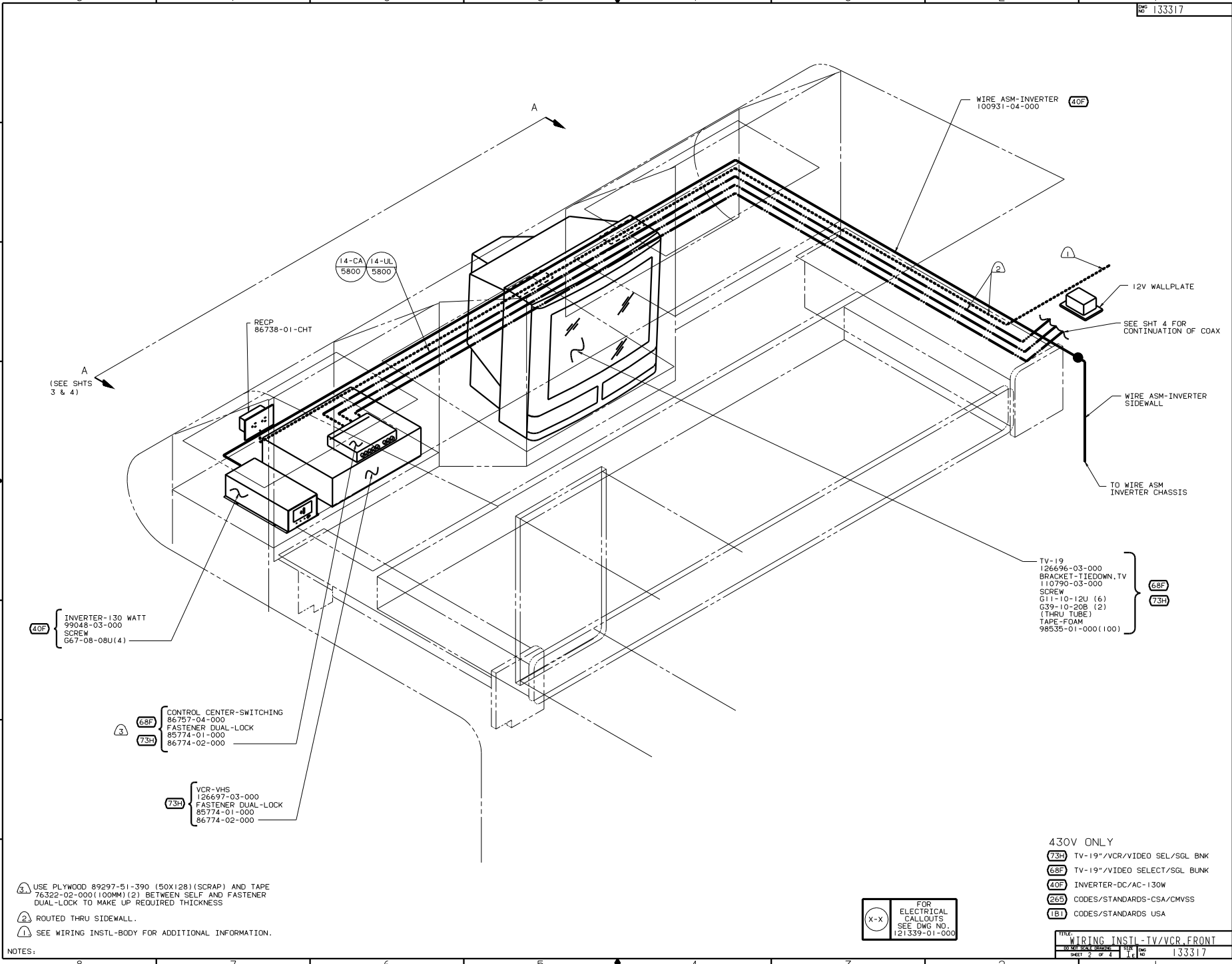
DWG NO.	SHEET
133317-01	1, 3, 4
133317-02	2, 3, 4



- 1 USE PLYWOOD 89297-51-390 (50X128) (SCRAP) AND TAPE 76322-02-000(100MM) (2) BETWEEN SELF AND FASTENER DUAL-LOCK TO MAKE UP REQUIRED THICKNESS
- 2 ROUTED THRU SIDEWALL.
- 3 SEE WIRING INSTL-BODY FOR ADDITIONAL INFORMATION.

FOR ELECTRICAL CALLOUTS SEE DWG NO. 121339-01-000

DATE		UNDESIGNED TOLERANCES ARE:	MATERIAL
OF IN	DATE	WHOLE DIM IN	
CHP	DATE	ONE-PLACE IN .01	
DR	DATE	TWO-PLACE IN .005	
FILE	DATE	MILL	
CON	DATE	THIRD-PLACE IN .001	
		PROJECTION	
TITLE: WIRING INSTL-TV/VCR FRONT			
REV #	SCALE	NO. OF SHEETS	SHEET NO
		1 OF 4	133317



WIRE ASM-INVERTER
100931-04-000 (40F)

14-CA 5800
14-UL 5800

RECP
86738-01-CHT

12V WALLPLATE
SEE SHT 4 FOR CONTINUATION OF COAX

WIRE ASM-INVERTER SIDEWALL
TO WIRE ASM INVERTER CHASSIS

A
(SEE SHTS 3 & 4)

(40F) INVERTER-130 WATT
99048-03-000
SCREW
667-06-08U(4)

TV-19
126696-03-000
BRACKET-TIEDOWN, TV
110790-03-000
SCREW
G11-10-12U (6)
G39-10-20B (2)
(THRU TUBE)
TAPE-FOAM
98535-01-000(100)

(68F)
(73H)

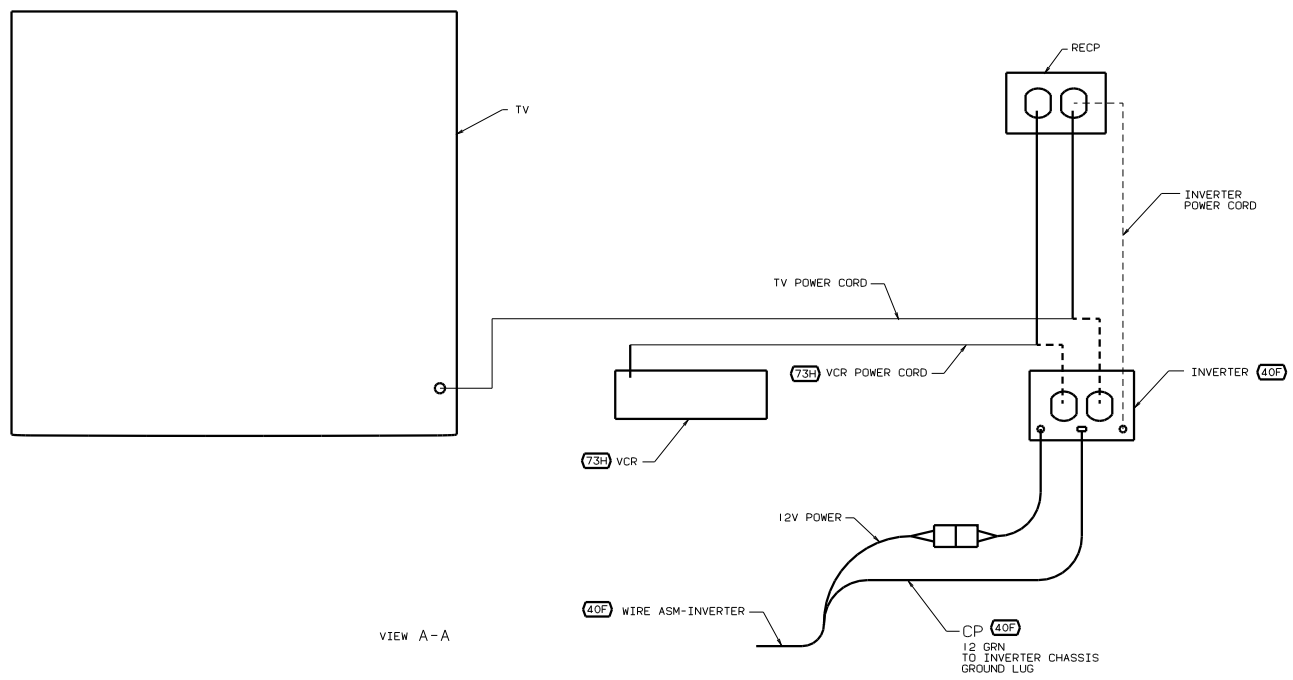
(3) (68F) CONTROL CENTER-SWITCHING
86757-04-000
FASTENER DUAL-LOCK
(73H) 85774-01-000
86774-02-000

(73H) VCR-VHS
126697-03-000
FASTENER DUAL-LOCK
85774-01-000
86774-02-000

430V ONLY
(73H) TV-19"/VCR/VIDEO SEL/SGL BNK
(68F) TV-19"/VIDEO SELECT/SGL BNK
(40F) INVERTER-DC/AC-130W
(265) CODES/STANDARDS-CSA/CMVSS
(1B1) CODES/STANDARDS USA

- 1 USE PLYWOOD 89297-51-390 (50X128) (SCRAP) AND TAPE 76322-02-000(100MM)(2) BETWEEN SELF AND FASTENER DUAL-LOCK TO MAKE UP REQUIRED THICKNESS
- 2 ROUTED THRU SIDEWALL.
- 3 SEE WIRING INSTL-BODY FOR ADDITIONAL INFORMATION.

(X-X)
FOR ELECTRICAL CALLOUTS
SEE DWG NO.
121339-01-000

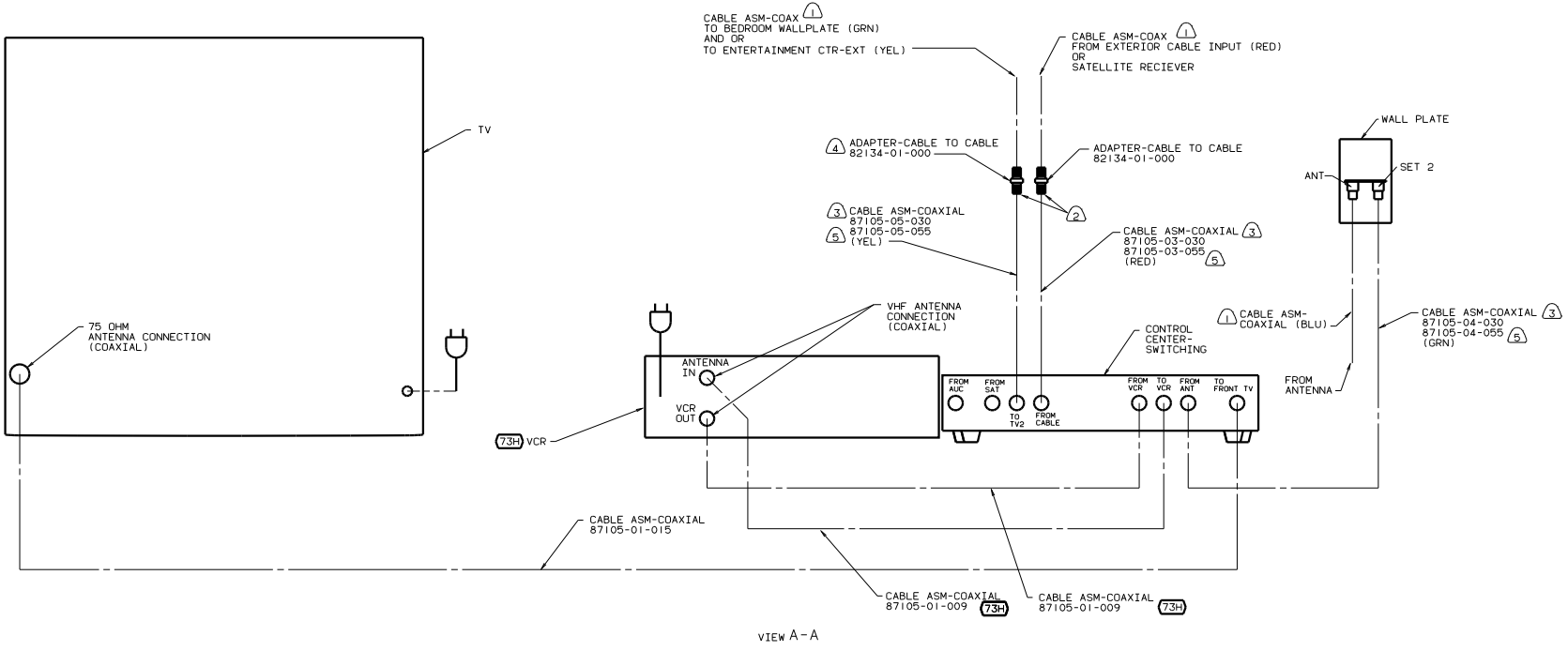


VIEW A-A

- 110V AND 12V
- (73H) TV-19"/VCR/VIDEO SEL/SGL BNK
 - (68F) TV-19"/VIDEO SELECT/SGL BNK
 - (40F) INVERTER-DC/AC-130W
 - (26S) CODES/STANDARDS-CSA/CMVSS
 - (1B1) CODES/STANDARDS USA

WITH (40F) PLUG TV OR (TV AND VCR) INTO INVERTER.
 PLUG INVERTER INTO OVHD RECP.

NOTES:



VIEW A-A

- ⑤ 430V ONLY.
- ④ SOME MODELS MAY REQUIRE REPLACING THE ADAPTER WITH A SPLITTER. SEE THE COAX CONNECTION DETAILS ON THE WIRING INSTL-BODY FOR SPECIFIC INFORMATION.
- ③ ROUTE THRU SIDEWALL.
- ② CONNECTION LOCATED NEAR 12V WALLPLATE.
- ① SEE WIRING INSTL-BODY FOR ADDITIONAL INFORMATION.

- COAX
- ⑦③H TV-19"/VCR/VIDEO SEL/SGL BNK
 - ⑥8F TV-19"/VIDEO SELECT/SGL BUNK
 - ②6S CODES/STANDARDS-CSA/CMVSS
 - ①B1 CODES/STANDARDS USA

NOTES: