



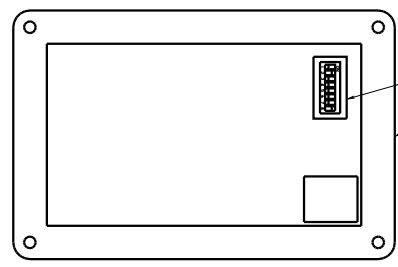
DANGER

Danger of electrical shock, burns or death. Always remove all power sources before attempting any repair, service or diagnostic work. Power can be present from shore power, generator, inverter or battery. All power sources must be disabled and secured before performing any service.



CAUTION

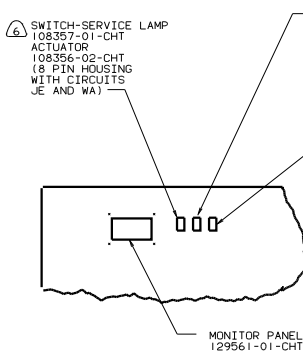
If you lack the skills, tools or equipment to perform diagnostic or repair work leave such work to an authorized Winnebago Industries dealer or other qualified shop.



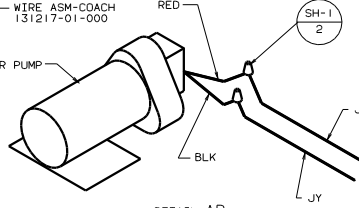
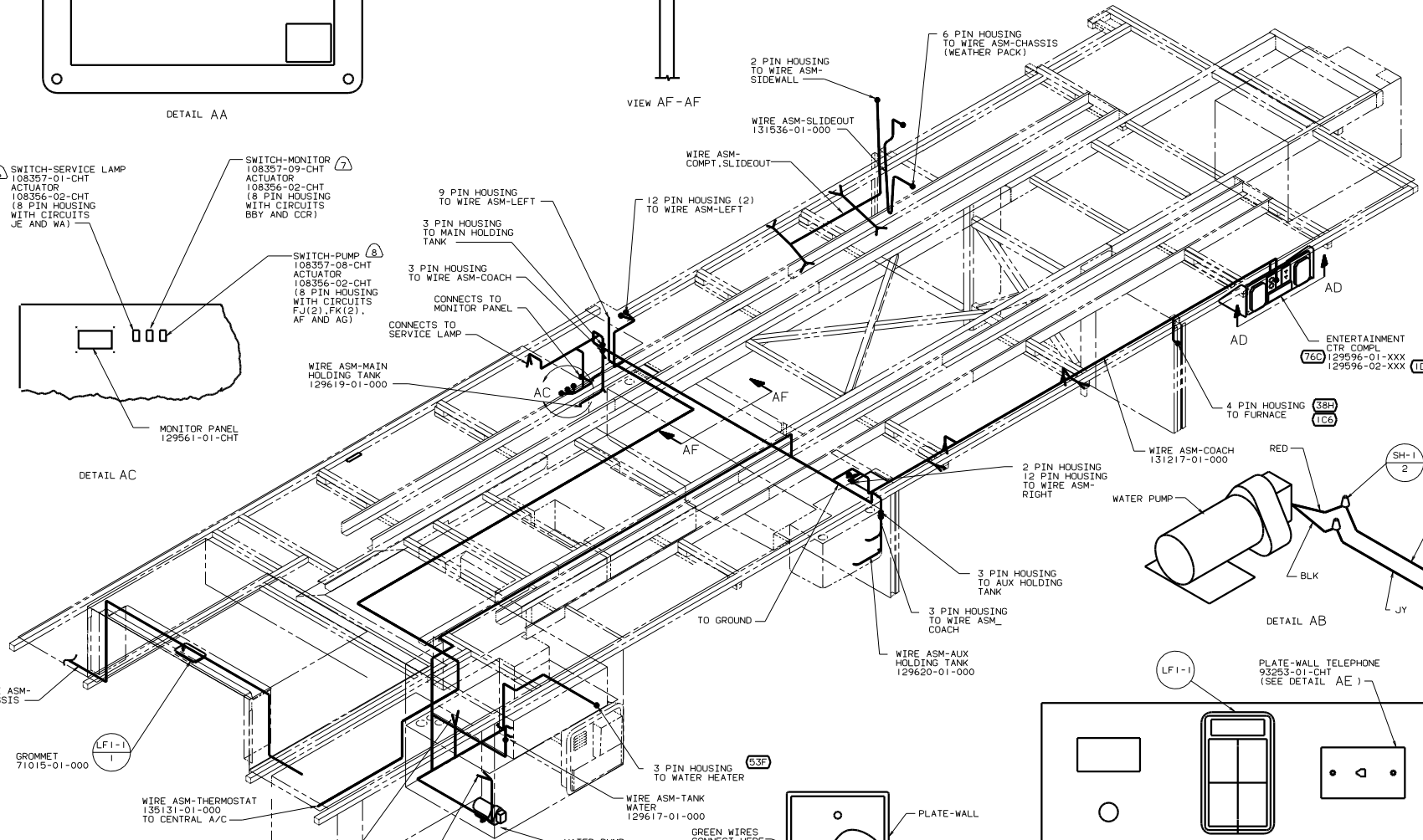
DETAIL AA



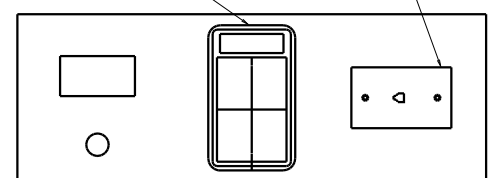
VIEW AF-AF



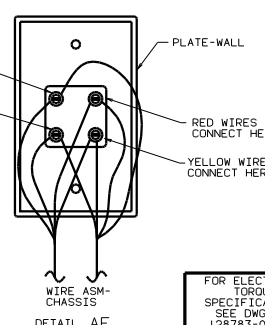
DETAIL AC



DETAIL AB



VIEW AD-AD



DETAIL AE

- (38H) FURNACE-35,000 BTU
- (1C6) FURNACE-25,000 BTU
- (76C) ENTERTAINMENT CTR/EXT CASSETTE
- (53J) WATER HEATER BY-PASS-VALVE
- (53F) WATER HEATER-ELEC. IGNITION
- (265) CODES/STANDARDS-CSA/CMVSS
- (1D5) ENTERTAINMENT CENTR/EXT W/CD
- (1B1) CODES/STANDARDS USA
- (1B1) (265)

- (A) CONNECT 8 PIN HOUSING TO SWITCH WITH WIRES FJ(2), FK(2), AF & AG.
- (B) CONNECT 8 PIN HOUSING TO SWITCH WITH WIRES JE & WA.
- (C) CONNECT 8 PIN HOUSING TO SWITCH WITH WIRES CCR & BBY.
- (D) DIP SWITCHES MUST BE SET AS FOLLOWS
 1 OFF, 2 OFF, 3 OFF, 4 OFF, 5 OFF, 6 OFF, 7 OFF, 8 ON.
- 4. SEE WIRING DIAGRAM-BODY FOR ADDITIONAL INFORMATION.
- 3. ALL GROUND WIRES ARE TO BE COVERED WITH TUBING 8041-02-000.
- 2. ALL WIRES ARE TO BE CLAMPED WITH CLAMP 10497-05-000 WITHIN 200 OF OUTLET BOXES AND SPLICES. USE SCREW G67-10-12B OR G39-10-12B.
- 1. ALL WIRE TO BE CLAMPED WITH CLAMP 10495-01-000 OR CLIP 80734-02-000 EVERY 600. USE SCREW G67-10-12B UNLESS OTHERWISE SPECIFIED.

FOR ELECTRICAL TORQUE SPECIFICATIONS SEE DWG NO. 128783-01-000

X-X FOR ELECTRICAL CALLOUTS SEE DWG NO. 121339-01-000

WINNEBAGO 00 G36C

DATE	UNDESIGNED TOLERANCES ARE:	MATERIAL
DATE	WHOLE DIM (IN)	
DATE	ONE-PLACE (IN, .01)	
DATE	TWO-PLACE (IN, .001)	
DATE	THREE-PLACE (IN, .0001)	
DATE	FOUR-PLACE (IN, .00001)	
DATE	FIVE-PLACE (IN, .000001)	
DATE	SIX-PLACE (IN, .0000001)	
DATE	SEVEN-PLACE (IN, .00000001)	
DATE	EIGHT-PLACE (IN, .000000001)	
DATE	NINE-PLACE (IN, .0000000001)	
DATE	TEN-PLACE (IN, .00000000001)	

WIRING INSTL - BODY, 12V(12 BF)

REV # SCALE: NONE 100% (SEE SCALE CHANGES)

ALL DIMENSIONS ARE IN MILLIMETERS SHEET 1 OF 8

133246

WIRE ASM-ROOF
SPEAKER-CUBE
124883-02-000 (2) (21V)
SCREW
G11-08-12U (6) (21V)

WIRE ASM-DVHD
131480-01-000
LIGHTS-READING
132427-01-CHT (2)
SCREW
G13-06-16U (4)
CONNECTOR
58028-01-000 (4)

LIGHT-HALOGEN,ROUND
123775-01-CHT
SCREW
G13-06-16U (3)
CONNECTOR
58028-01-000 (2)

SWITCH
89308-01-CHT
SWITCH-PLATE
98351-01-CHT
SCREW
G11-06-10U (2)

CONNECTS TO
WIRE ASM-SLIDEOUT EXTEND
SEE SHIT 2 FOR
ADDITIONAL INFORMATION

CONNECTS TO
WIRE ASM-SLIDEOUT COMPT

MONITOR PANEL
121148-05-CHT (67D)
121148-06-CHT (39R)
SCREW
G67-08-12U (4)

THERMOSTAT A/C FURNACE
105620-14-000 (29C)
SCREW
G13-08-08U(2) (29H) (9L1)
(SEE DETAIL MD)

POWER VENT THERMOSTAT
SCREW
(SUPPLIED W/VENT)

SWITCH
(SEE DETAIL BB)

4 & 8 PIN HOUSING
TO LOAD SHEDDER
CONTROL BOARD
(SEE DETAIL BA)

DETECTOR-LP GAS
103613-05-000
SCREW
G68-06-10U (2)

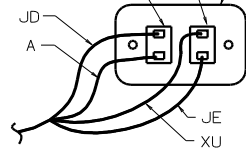
6 PIN HOUSING
TO WIRE ASM-CHASSIS

12 & 15 PIN HOUSING
TO WIRE ASM-COACH

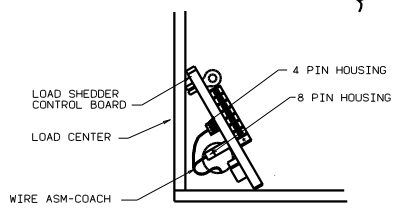
9 PIN HOUSING
TO A/C CORD
(SEE DETAIL BD)

2 PIN HOUSING
TO WIRE ASM-SIDEWALL

DINETTE DVHD
LAMP SWITCH
SWITCH
132180-01-CHT(2)
SWITCH-PLATE
98351-02-CHT
SCREW
G11-06-10U (2)



DETAIL BB



DETAIL BA 1E3

LAMP
93575-15-CHT
BULB
117806-01-000 (2)
SCREW
(SUPPLIED W/LAMP)
CONNECTOR
58028-01-000 (2)

WIRE ASM-ROOF

9 PIN HOUSING
TO WIRE ASM-ROOF

WIRE ASM-LEFT
131215-01-000

RADIO-SPEAKER (26L)
94097-01-000
GRILLE
90026-01-CHT
SCREW
G11-08-08B (4)

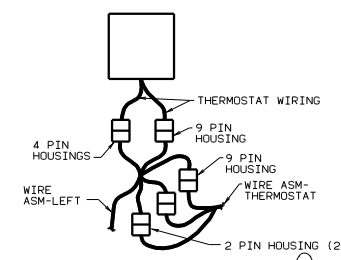
LAMP-WALL
119258-15-CHT
SHADE-LAMP
65201-09-000
BULB
67479-01-000 (2)
SCREW
G67-10-24J (2)
CONNECTOR
58028-01-000 (2)

TV-SPEAKER (10W)
98819-01-000
GRILLE
93214-01-CHT
SCREW
G12-08-08U (4)

LIGHT-READING
132427-01-CHT
SCREW
G13-06-16U (2)
CONNECTOR
58028-01-000 (2)

FROM RIGHT SIDE

49X 09L 1D2



DETAIL BG

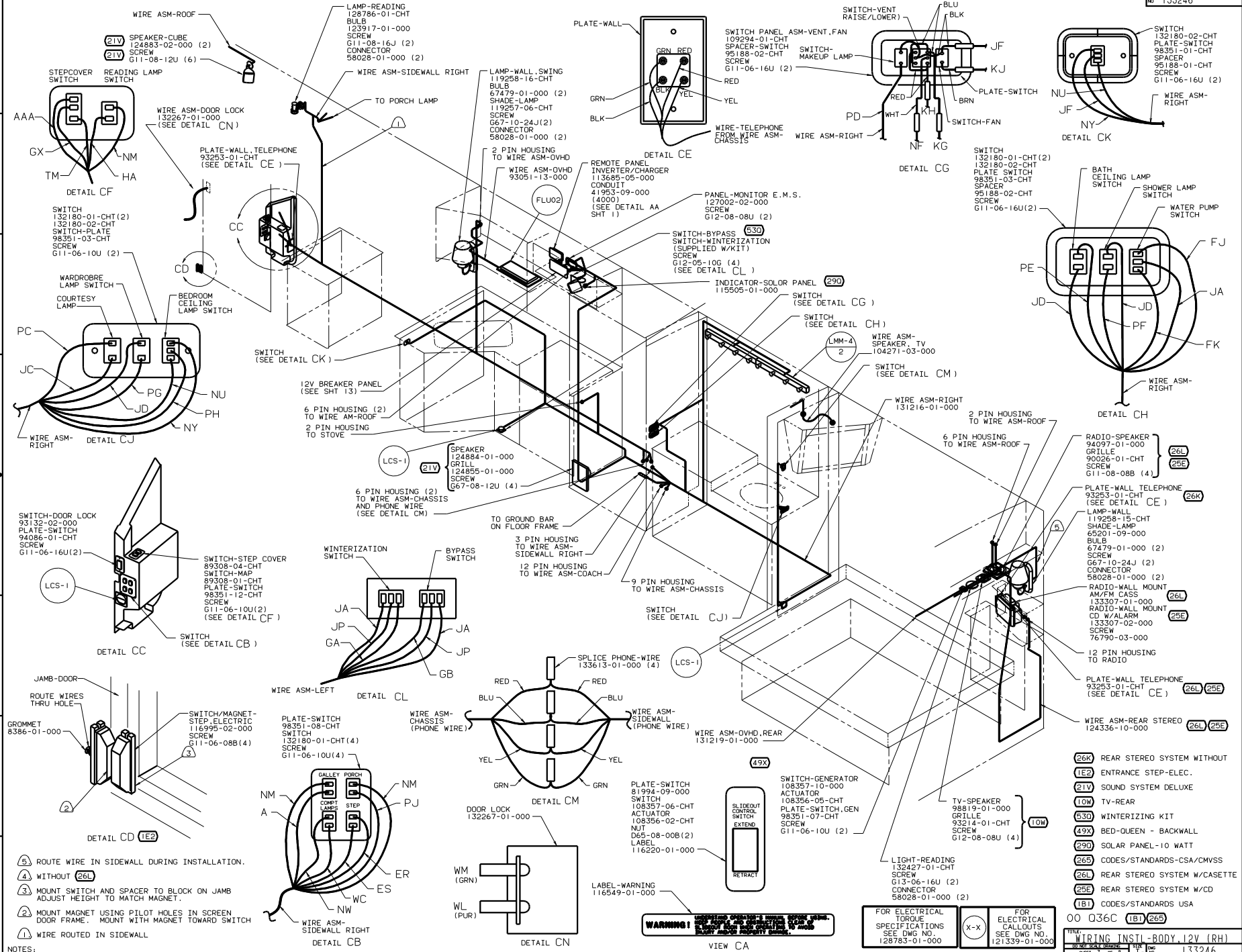
WITHOUT (29H) PLUG THE TWO, TWO PIN HOUSINGS TOGETHER ON WIRE ASM-LEFT.

FOR ELECTRICAL TORQUE SPECIFICATIONS SEE DWG NO. 128783-01-000

FOR ELECTRICAL CALLOUTS SEE DWG NO. 121339-01-000

- (9L1) HOME COMFORT PLUS PACKAGE
- (29H) HEAT PUMP-A/C CENTRAL
- (29C) A/C CENTRAL
- (21V) SOUND SYSTEM DELUXE
- (10W) TV-REAR
- (1D2) SLIDEOUT ROOM-REAR LEFTHAND
- (09L) SLIDEOUT ROOM FRONT LEFT
- (49X) BED-QUEEN - BACKWALL
- (26S) CODES/STANDARDS-CSA/CMVSS
- (26L) REAR STEREO SYSTEM W/CASSETTE
- (1E3) ENERGY MANAGEMENT SYSTEM
- (1B1) CODES/STANDARDS USA

00 Q36C (1B1) (26S)
WIRING INSTL-BODY,12V (LH)
SHEET 2 OF 8
133246

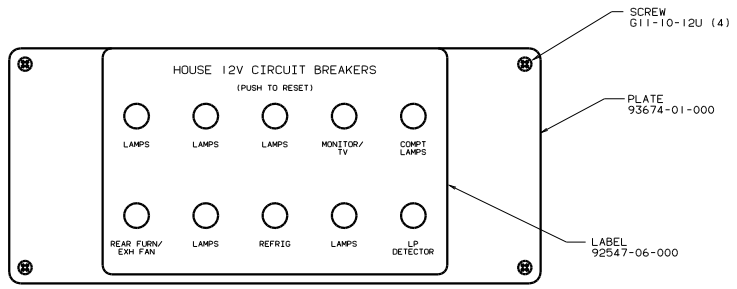


- NOTES:
- ① WIRE ROUTED IN SIDEWALL
 - ② MOUNT MAGNET USING PILOT HOLES IN SCREEN DOOR FRAME. MOUNT WITH MAGNET TOWARD SWITCH
 - ③ MOUNT SWITCH AND SPACER TO BLOCK ON JAMB ADJUST HEIGHT TO MATCH MAGNET.
 - ④ WITHOUT (26L)
 - ⑤ ROUTE WIRE IN SIDEWALL DURING INSTALLATION.

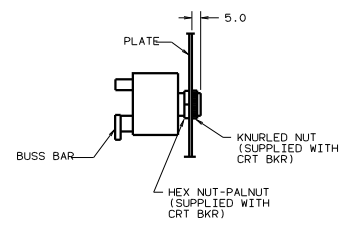
WARNING! DO NOT TOUCH THESE ELECTRICAL PARTS OR WIRING WHILE THE ENGINE IS RUNNING. ALWAYS USE PROPER WIRING TECHNIQUES.

FOR ELECTRICAL TROUBLE SPECIFICATIONS SEE DWG NO. 128783-01-000	FOR ELECTRICAL CALLOUTS SEE DWG NO. 121339-01-000
---	---

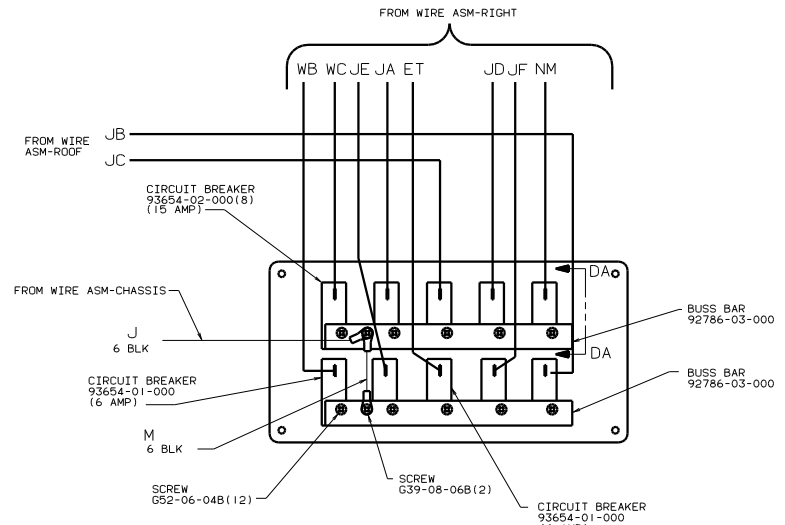
(26K)	REAR STEREO SYSTEM WITHOUT
(1E2)	ENTRANCE STEP-ELEC.
(21V)	SOUND SYSTEM DELUXE
(10W)	TV-REAR
(530)	WINTERIZING KIT
(492)	BED-QUEEN - BACKWALL
(290)	SOLAR PANEL-10 WATT
(26S)	CODES/STANDARDS-CSA/CMVSS
(26L)	REAR STEREO SYSTEM W/CASSETTE
(26E)	REAR STEREO SYSTEM W/CD
(1B1)	CODES/STANDARDS USA



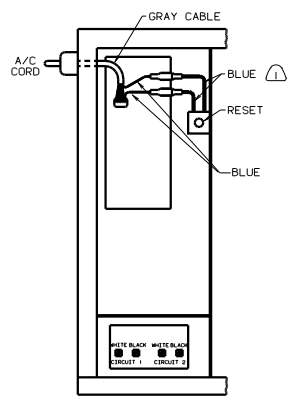
CIRCUIT BREAKER
(FRONT VIEW)



SECTION DA-DA



CIRCUIT BREAKER
(BACK VIEW)



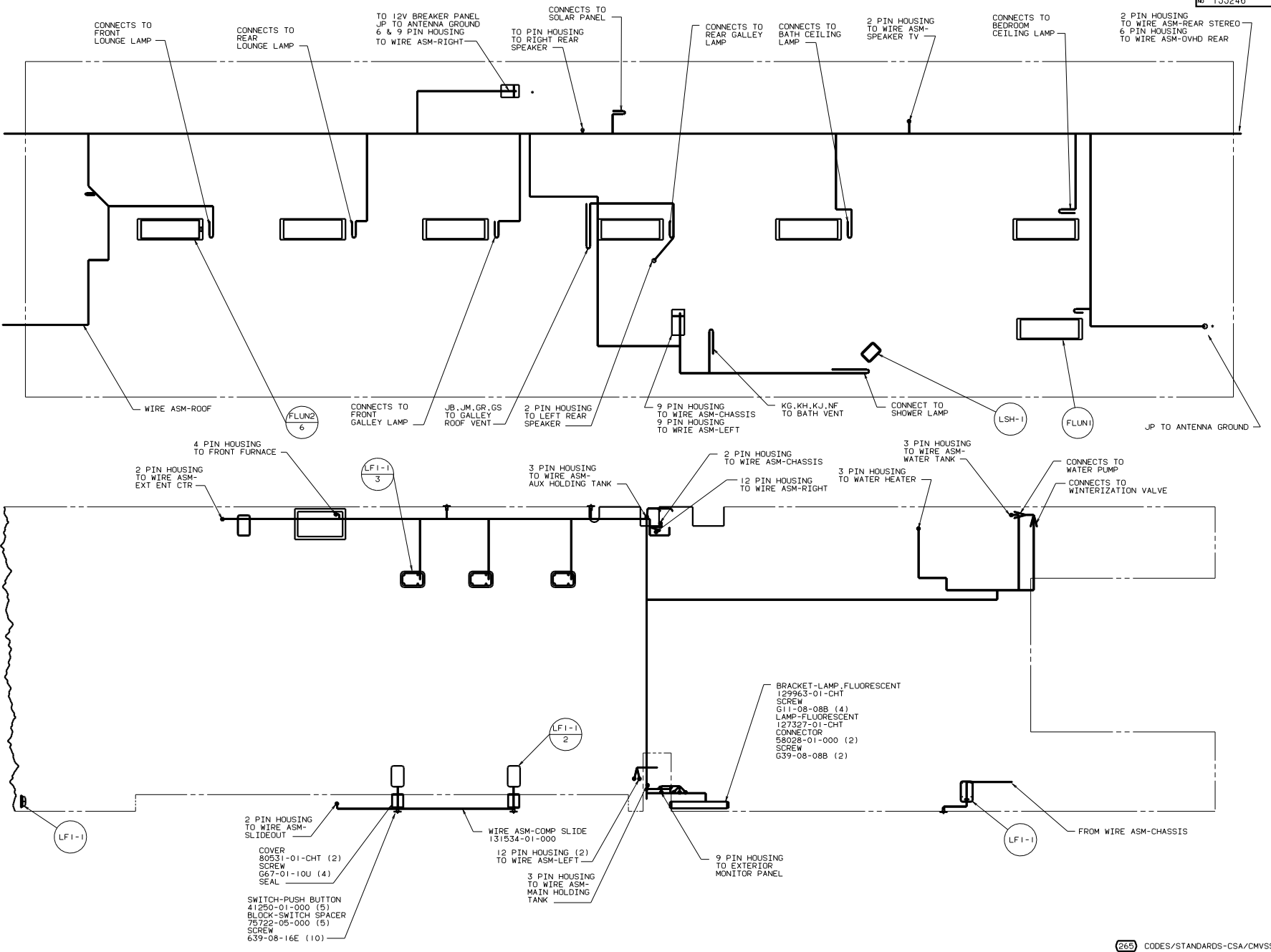
VIEW DD-DD

CONNECT BLUE WIRES FROM RESET TO THE BLUE WIRES WITH SPRADE TERMINALS ON A/C CORD WITH 29H 9LI FEATURES.

FOR ELECTRICAL TORQUE SPECIFICATIONS SEE DWG NO. 128783-01-000

265 CODES/STANDARDS-CSA/CMVSS
181 CODES/STANDARDS USA
00 Q36C 181 265

WIRING INSTL-BODY,12V (BP)
SHEET 4 OF 8



NOTES:

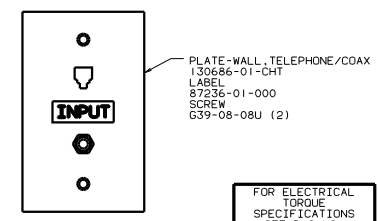
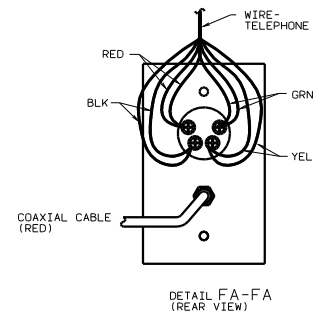
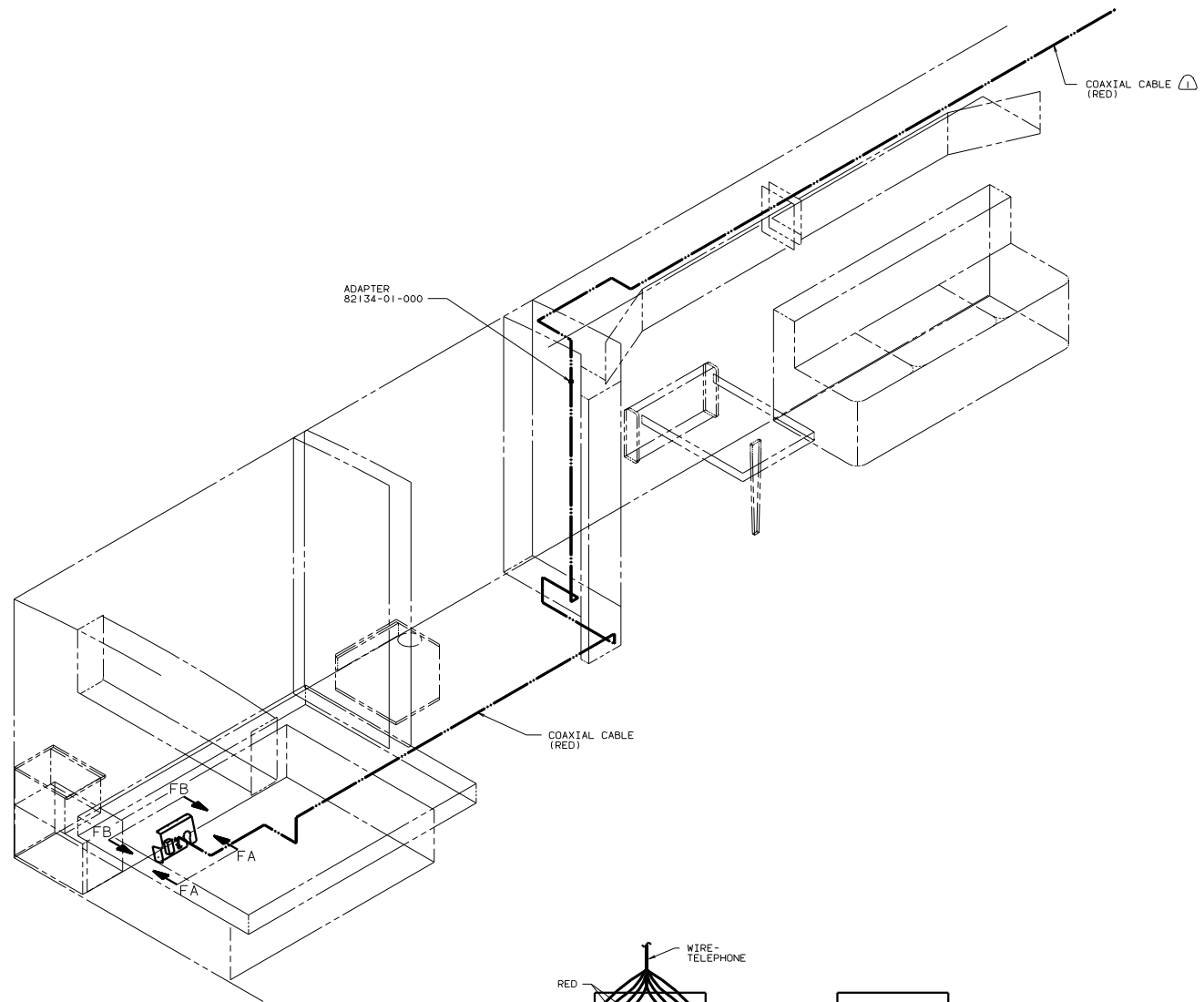
FOR ELECTRICAL TORQUE SPECIFICATIONS SEE DWG NO. 128783-01-000

FOR ELECTRICAL CALLOUTS SEE DWG NO. 121339-01-000

(265) CODES/STANDARDS-CSA/CMVSS
 (1B1) CODES/STANDARDS USA

00 Q36C (1B1) (265)

WIRING INSTL-RDGY.12V (LAMPS)
 SHEET 5 OF 8



2. COAX CABLE (RED) IS ASSEMBLED IN WIRE ASM-COACH.

⚠ COAX ROUTED IN ROOF.

NOTES:

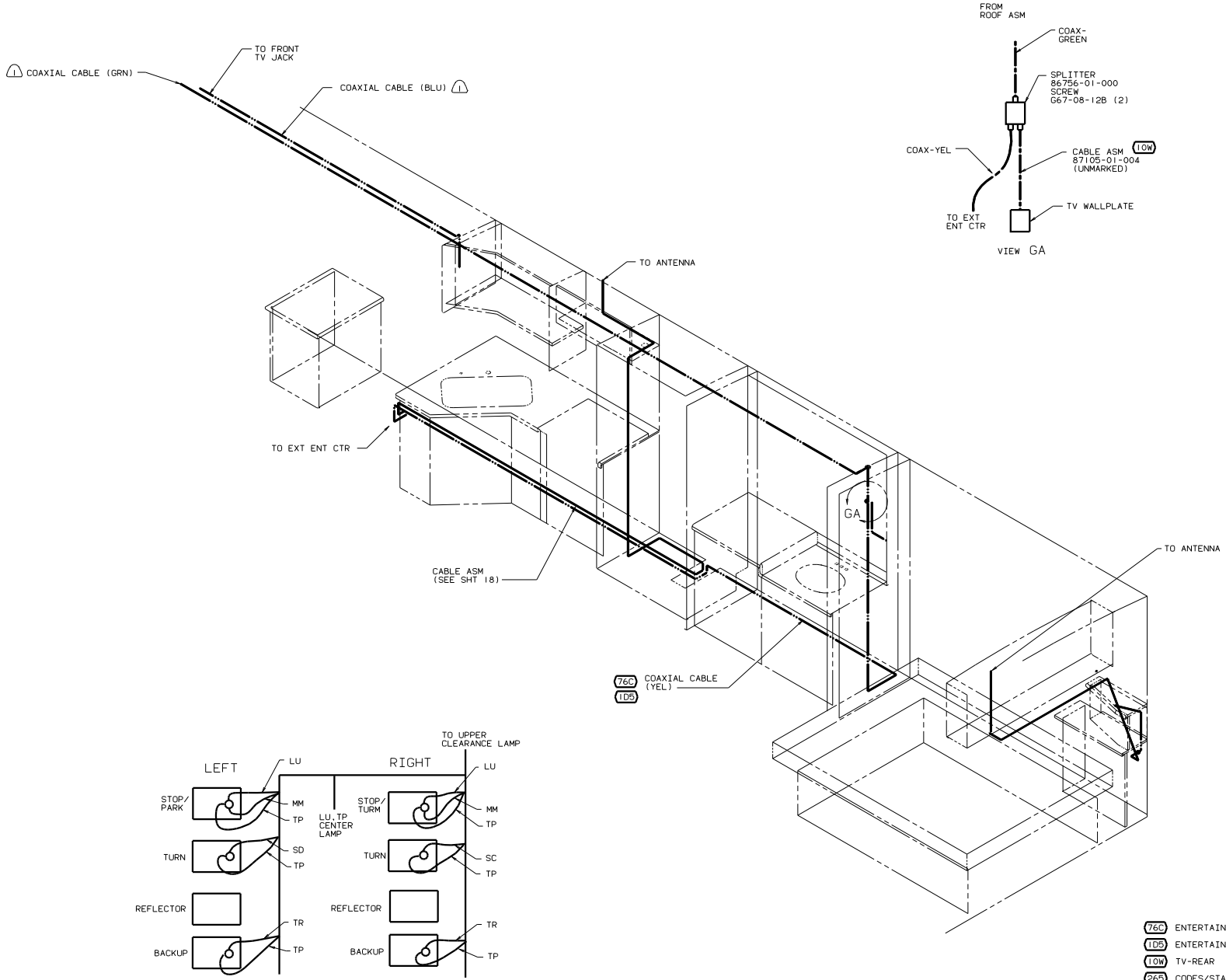
FOR ELECTRICAL TORQUE SPECIFICATIONS SEE DWG NO. 128783-01-000

FOR ELECTRICAL CALLOUTS SEE DWG NO. 121339-01-000

265 CODES/STANDARDS-CSA/CMVSS
 (B1) CODES/STANDARDS USA

00 Q36C (B1) 265

WIRING INSTL-BODY, 12V (COAX L)	133246
SHEET 6 OF 8	1 E



2. COAX CABLE (YEL) IS ASSEMBLED IN WIRE ASM-COACH.

COAX ROUTED IN ROOF.

NOTES:

- (76C) ENTERTAINMNT CTR/EXT CASSETTE
- (1D5) ENTERTAINMENT CENTR/EXT W/CD
- (10W) TV-REAR
- (265) CODES/STANDARDS-CSA/CWSS
- (1B1) CODES/STANDARDS USA

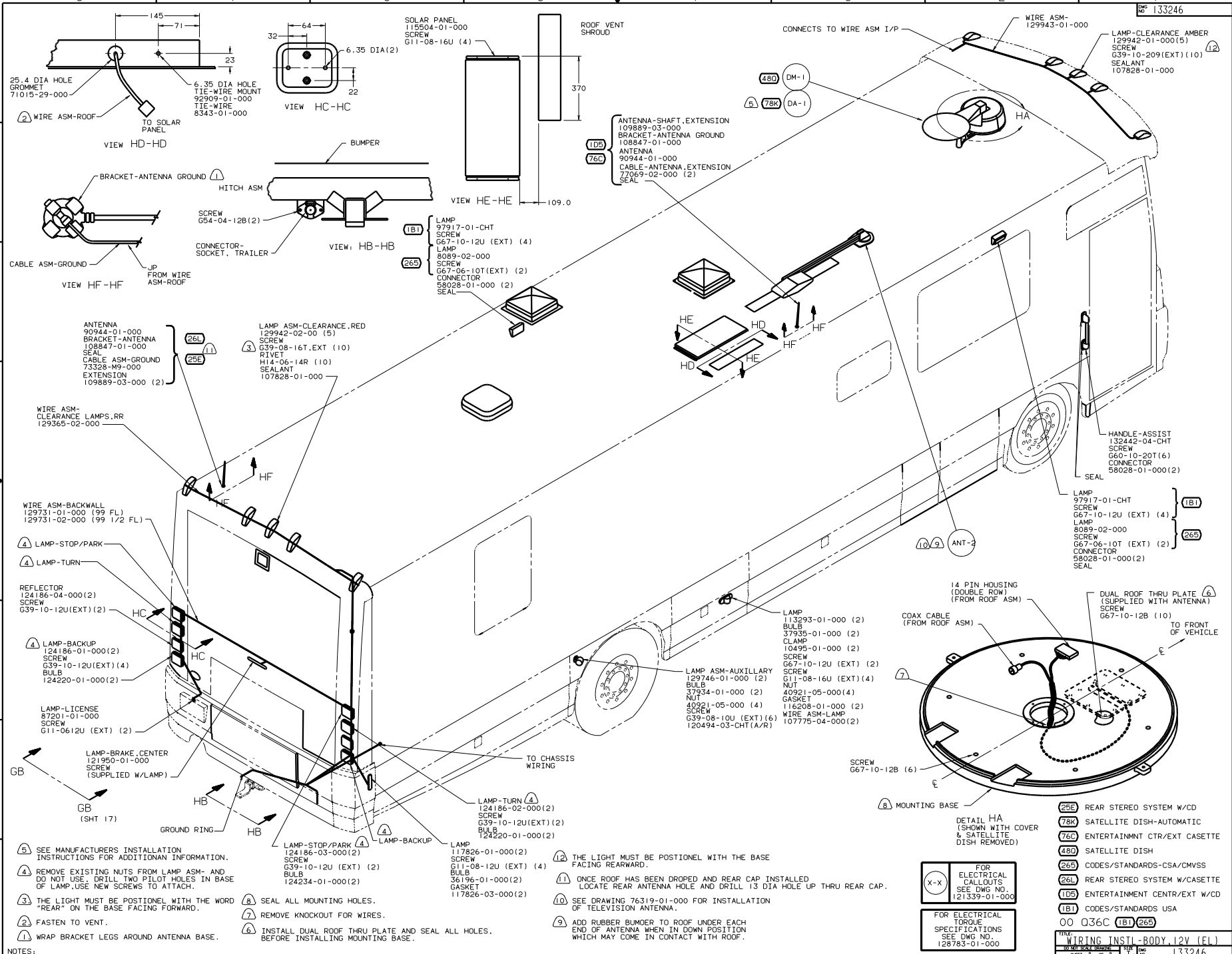
FOR ELECTRICAL TORQUE SPECIFICATIONS SEE DWG NO. 128783-01-000

FOR ELECTRICAL CALLOUTS SEE DWG NO. 121339-01-000

00 Q36C (1B1) (265)

WIRING INSTL-BODY,12V (COAX R)

133246



- NOTES:
- 1 WRAP BRACKET LEGS AROUND ANTENNA BASE.
 - 2 FASTEN TO VENT.
 - 3 THE LIGHT MUST BE POSITIONEL WITH THE WORD "REAR" ON THE BASE FACING FORWARD.
 - 4 REMOVE EXISTING NUTS FROM LAMP ASM- AND DO NOT USE. DRILL TWO PILOT HOLES IN BASE OF LAMP. USE NEW SCREWS TO ATTACH.
 - 5 SEE MANUFACTURERS INSTALLATION INSTRUCTIONS FOR ADDITIONAL INFORMATION.

- 6 INSTALL DUAL ROOF THRU PLATE AND SEAL ALL HOLES. BEFORE INSTALLING MOUNTING BASE.
- 7 REMOVE KNOCKOUT FOR WIRES.
- 8 SEAL ALL MOUNTING HOLES.
- 9 ADD RUBBER BUMPER TO ROOF UNDER EACH END OF ANTENNA WHEN IN DOWN POSITION WHICH MAY COME IN CONTACT WITH ROOF.

- 10 SEE DRAWING 76319-01-000 FOR INSTALLATION OF TELEVISION ANTENNA.
- 11 ONCE ROOF HAS BEEN DROPPED AND REAR CAP INSTALLED LOCATE REAR ANTENNA HOLE AND DRILL 13 DIA HOLE UP THRU REAR CAP.
- 12 THE LIGHT MUST BE POSITIONEL WITH THE BASE FACING REARWARD.

FOR ELECTRICAL CALLOUTS SEE DWG NO. 121339-01-000

FOR ELECTRICAL TORQUE SPECIFICATIONS SEE DWG NO. 128783-01-000

- 00 Q36C (1B1) (265)
- 01 CODES/STANDARDS USA
- 06 CODES/STANDARDS-CSA/CMVSS
- 26L REAR STEREO SYSTEM W/CASSETTE
- 26L REAR STEREO SYSTEM W/CASSETTE
- 76C ENTERTAINMNT CTR/EXT CASSETTE
- 78A SATELLITE DISH-AUTOMATIC
- 80 SATELLITE DISH
- 80 CODES/STANDARDS-CSA/CMVSS
- 80 Q36C (1B1) (265)