



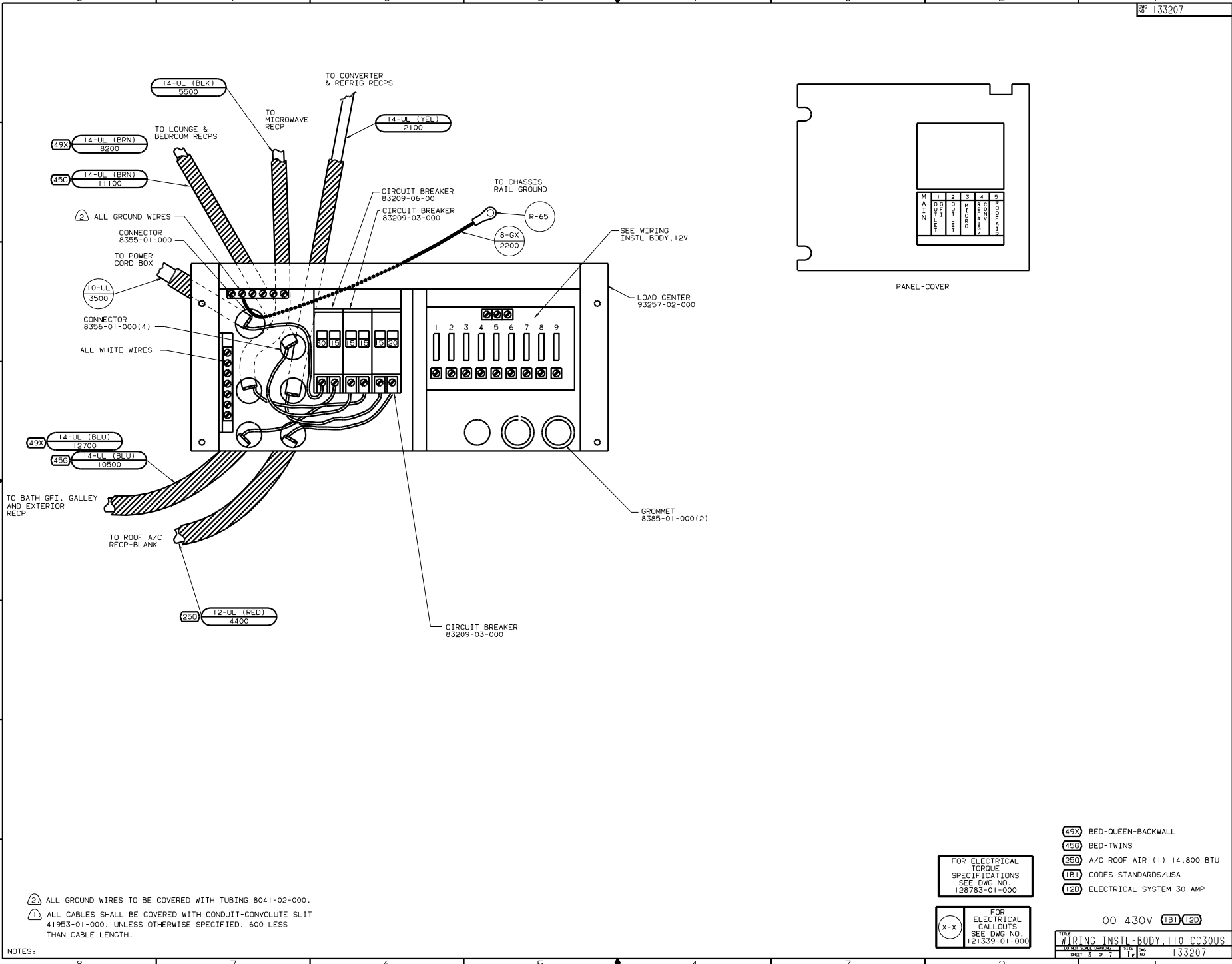
DANGER

Danger of electrical shock, burns or death. Always remove all power sources before attempting any repair, service or diagnostic work. Power can be present from shore power, generator, inverter or battery. All power sources must be disabled and secured before performing any service.



CAUTION

If you lack the skills, tools or equipment to perform diagnostic or repair work leave such work to an authorized Winnebago Industries dealer or other qualified shop.



2 ALL GROUND WIRES TO BE COVERED WITH TUBING 8041-02-000.

1 ALL CABLES SHALL BE COVERED WITH CONDUIT-CONVOLUTE SLIT 41953-01-000, UNLESS OTHERWISE SPECIFIED. 600 LESS THAN CABLE LENGTH.

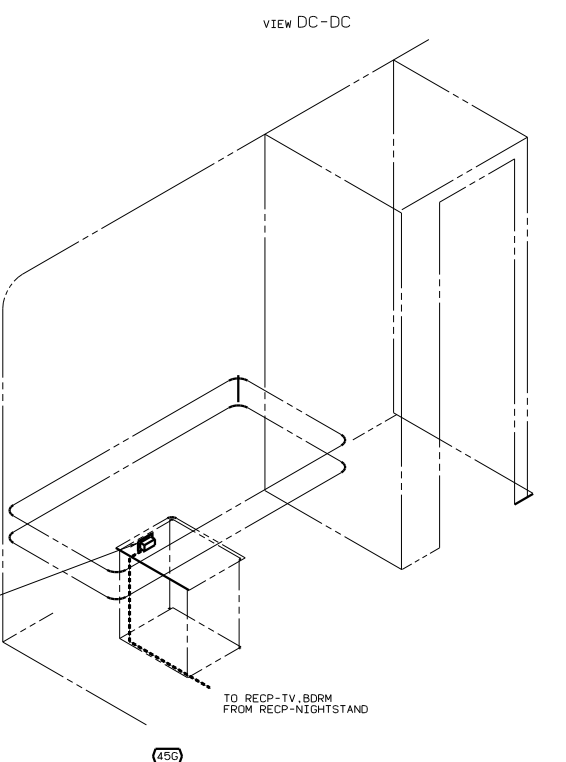
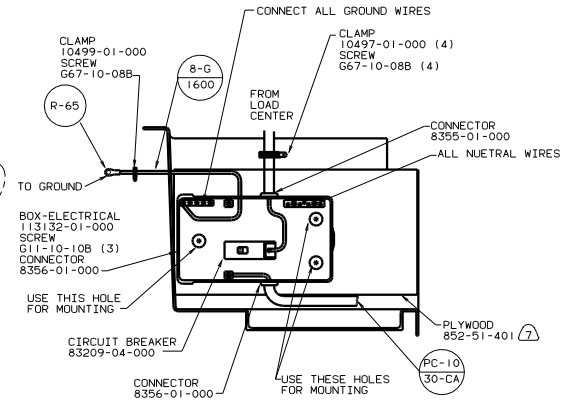
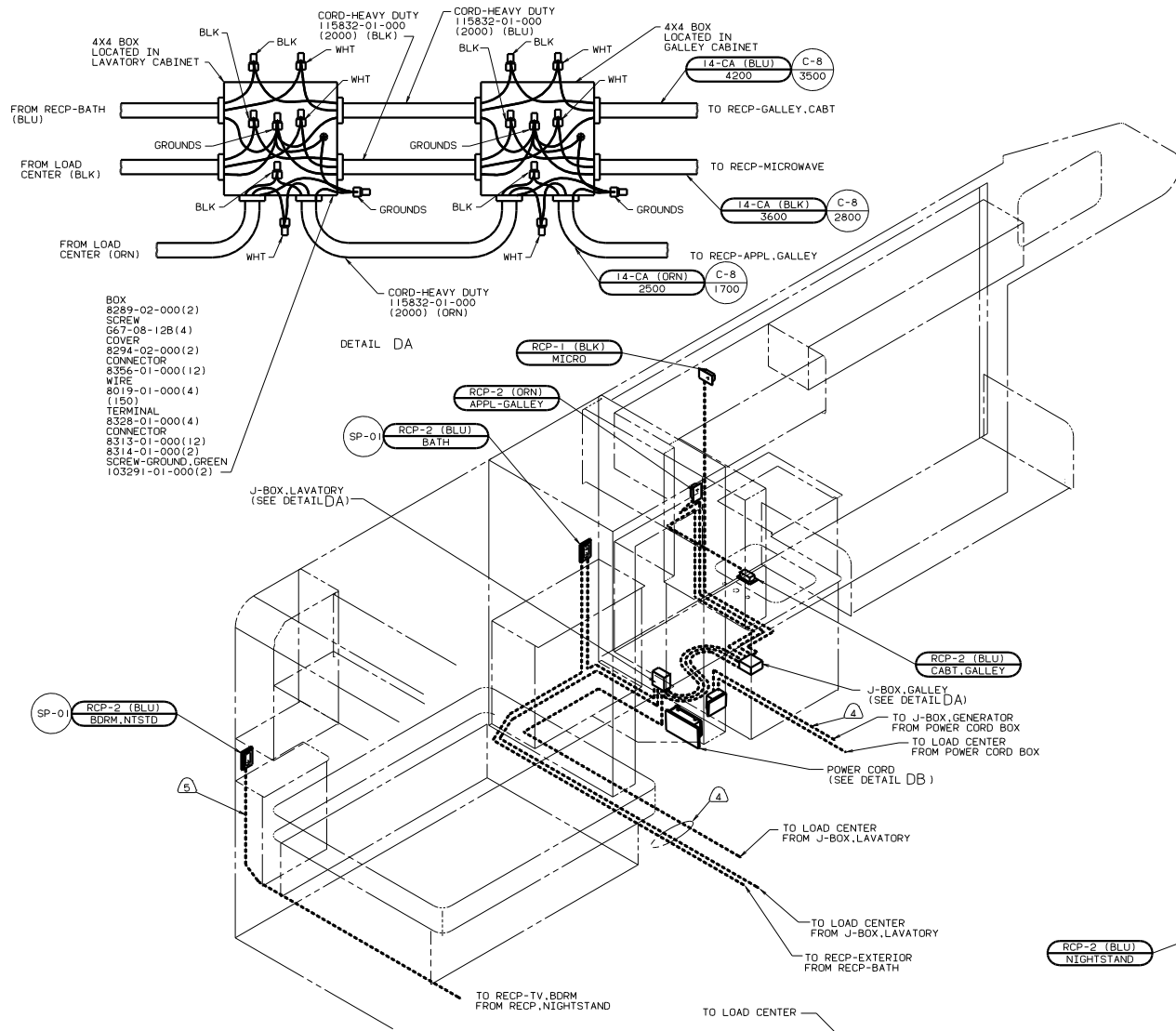
FOR ELECTRICAL TORQUE SPECIFICATIONS SEE DWG NO. 128783-01-000

FOR ELECTRICAL CALLOUTS SEE DWG NO. 121339-01-000

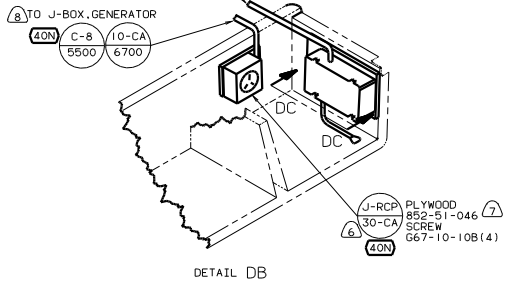
- 49X BED-QUEEN-BACKWALL
- 45B BED-TWINS
- 25D A/C ROOF AIR (1) 14,800 BTU
- 1B1 CODES STANDARDS/USA
- 12D ELECTRICAL SYSTEM 30 AMP

00 430V 1B1 12D

TITLE		DRAWING NO.	
WIRING INSTL-BODY.110 CC30US		133207	
SHEET 3 OF 7		REV 1.0	



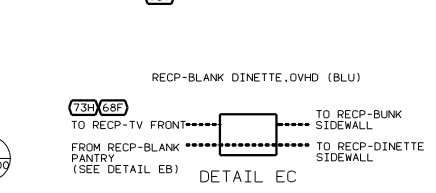
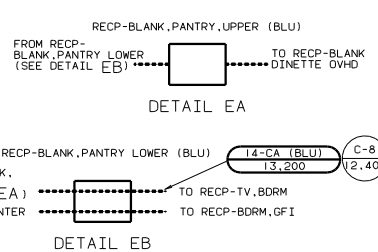
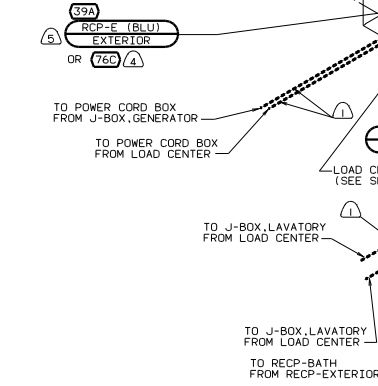
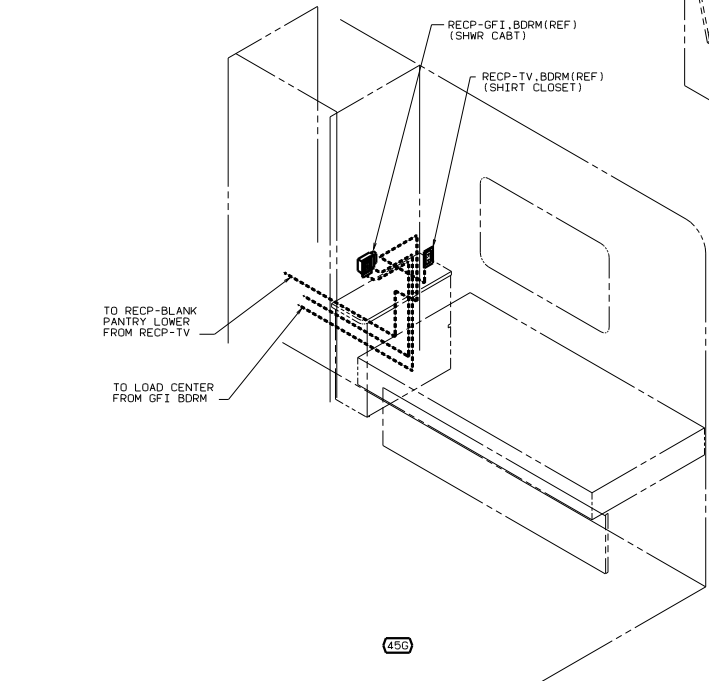
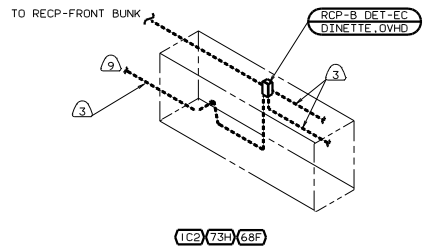
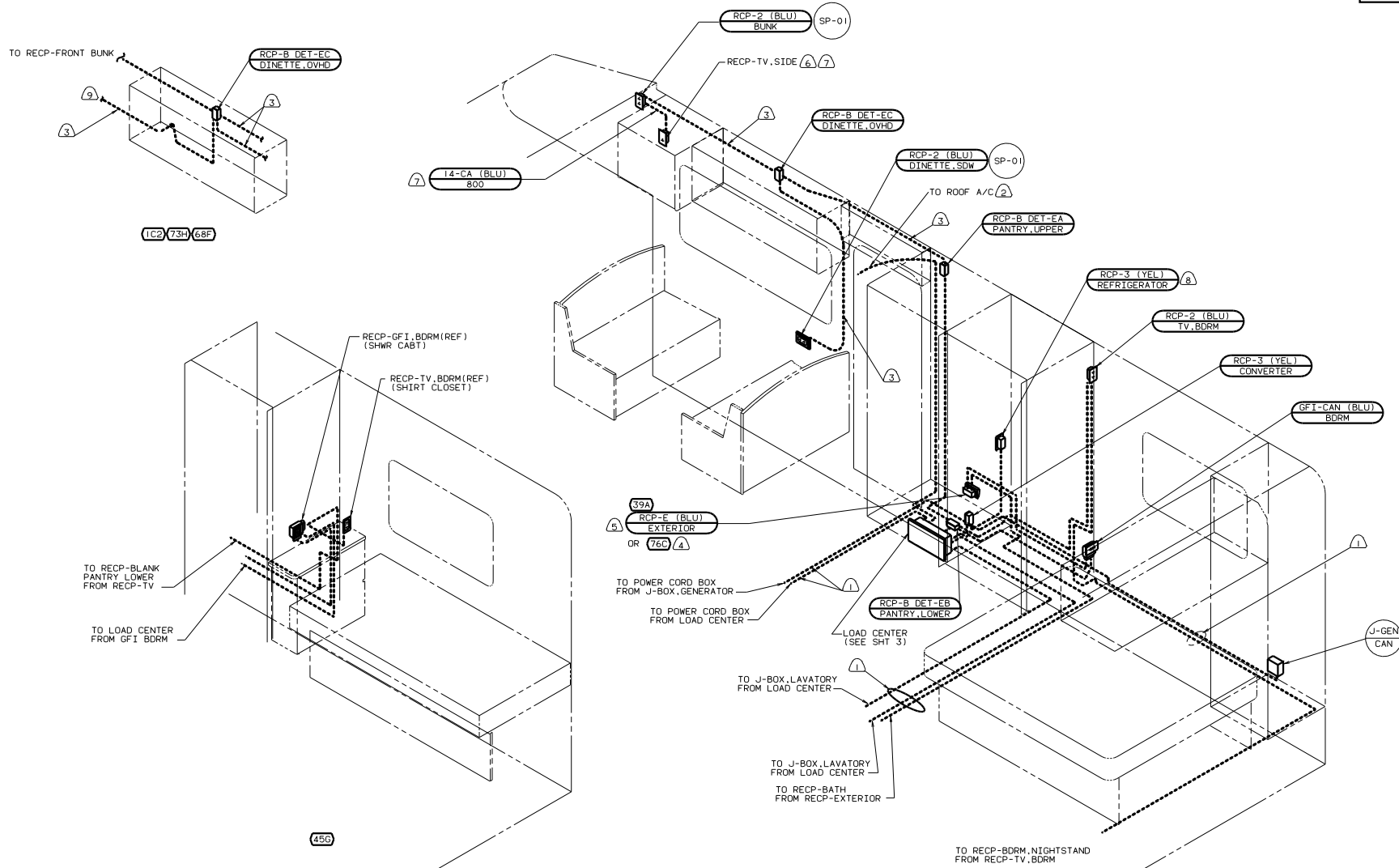
- NOTES:
1. ALL WIRES TO BE CLAMPED WITH CLAMP 10495-01-000 OR CLIP 80734-01-000 EVERY 600. USE SCREW 667-10-12B UNLESS OTHERWISE SPECIFIED.
 2. ALL 110V WIRES ARE TO BE CLAMPED WITH CLAMP 10497-01-000 WITHIN 200 OF OUTLET BOXES. USE SCREW 667-10-12B.
 3. ALL GROUND WIRES TO BE COVERED WITH TUBING 8041-02-000.
- (A) SEE GENERATOR INSTL- FOR ADDITIONAL INFORMATION.
 (7) PAINT EXPOSED SURFACES BLACK WITH 106112-01-000.
 (A) INSTALL RECEPTACLE WITH GROUND TOWARD FRONT OF VEHICLE.
 (S) ROUTE WIRE THRU SIDEWALL.
 (A) ROUTE WIRE THRU FLOOR.



FOR ELECTRICAL TORQUE SPECIFICATIONS SEE DWG NO. 128783-01-000

FOR ELECTRICAL CALLOUTS SEE DWG NO. 121339-01-000

- (49X) BED-QUEEN-BACKWALL
- (45G) BED-TWINS
- (40N) GEN-4.0KW-ONAN-GAS-MICROLITE
- (26B) CODES/STANDARDS-CSA/CMVSS
- (12D) ELECTRICAL SYSTEM 30 AMP

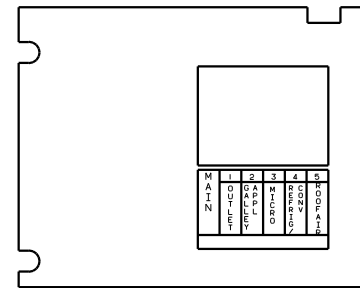
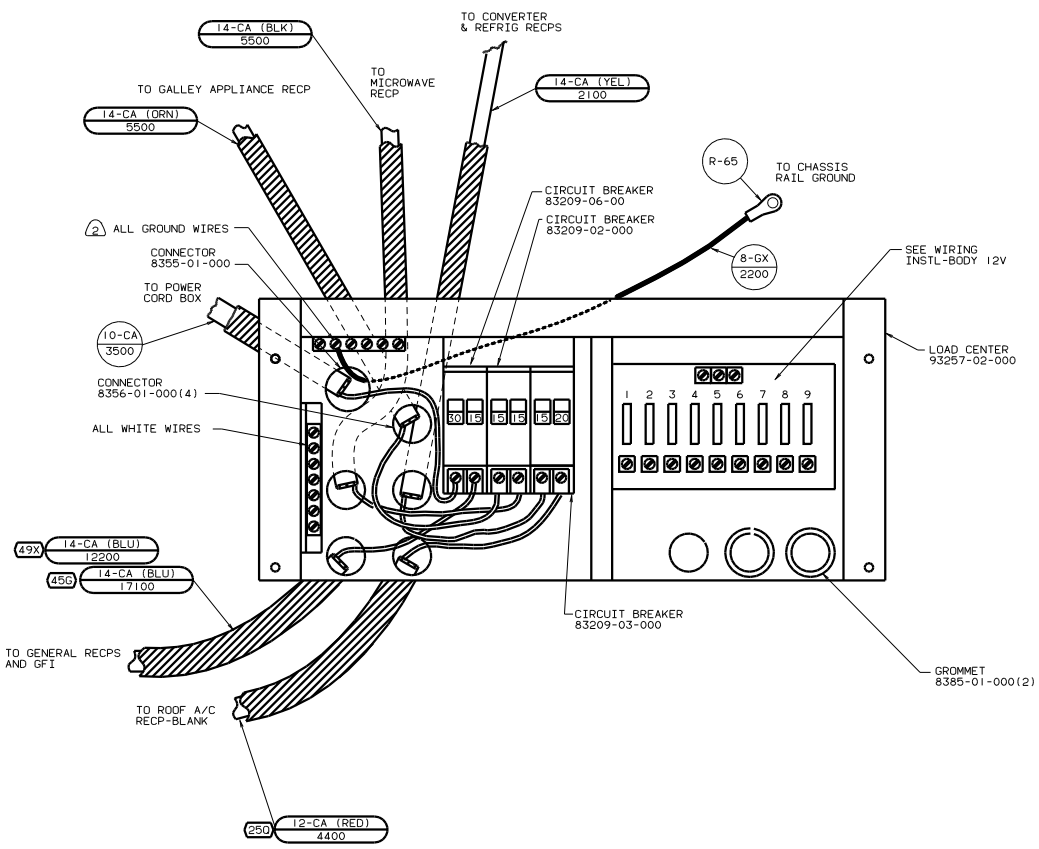


- 39A EXT RECEPTACLE DPLX 120VAC
- 78A TV-13" WITH VCP 12V
- 76C ENTERTAINMENT CTR/EXT CSETTE
- 49X BED-QUEEN-BACKWALL
- 45G BED-TWINS
- 26B CODES/STANDARDS-CSA/CMVSS
- 26D A/C ROOF AIR (1) 14,800 BTU
- 73H TV-19"/VCR/VIDEO SEL/SGL BNK
- 68F TV-19"/VIDEO SELECT/SGL BUNK
- 12E CABT-SIDE-CAB OVHD W/O TV ST
- 12D CABINET-SIDE W/O TV STORAGE
- 120 ELECTRICAL SYSTEM 30 AMP

- 9 SEE WIRING INSTL-TV/VCR FRONT FOR ADDITIONAL INFORMATION.
- 8 LOCATE RECP ON REFRIGERATOR TIE DOWN BRACKET.
- 7 NOT USED WITH 73H 78A 68F
- 6 SEE WIRING INSTL-TV/VCR, SIDE FOR ADDITIONAL INFORMATION.
- 5 NOT USED WITH 76C
- 4 SEE ENT CTR INSTL-EXT FOR ADDITIONAL INFORMATION.
- 3 WIRE ROUTED IN SIDEWALL.
- 2 ROUTE WIRE THRU ROOF.
- 1 ROUTE WIRE THRU FLOOR.

FOR ELECTRICAL TORQUE SPECIFICATIONS SEE DWG NO. 128783-01-000

X-X FOR ELECTRICAL CALLOUTS SEE DWG NO. 121339-01-000



2 ALL GROUND WIRES TO BE COVERED WITH TUBING 8041-02-000.

1 ALL CABLES SHALL BE COVERED WITH CONDUIT-CONVOLUTE SLIT 41953-01-000, UNLESS OTHERWISE SPECIFIED, 600 LESS THAN CABLE LENGTH.

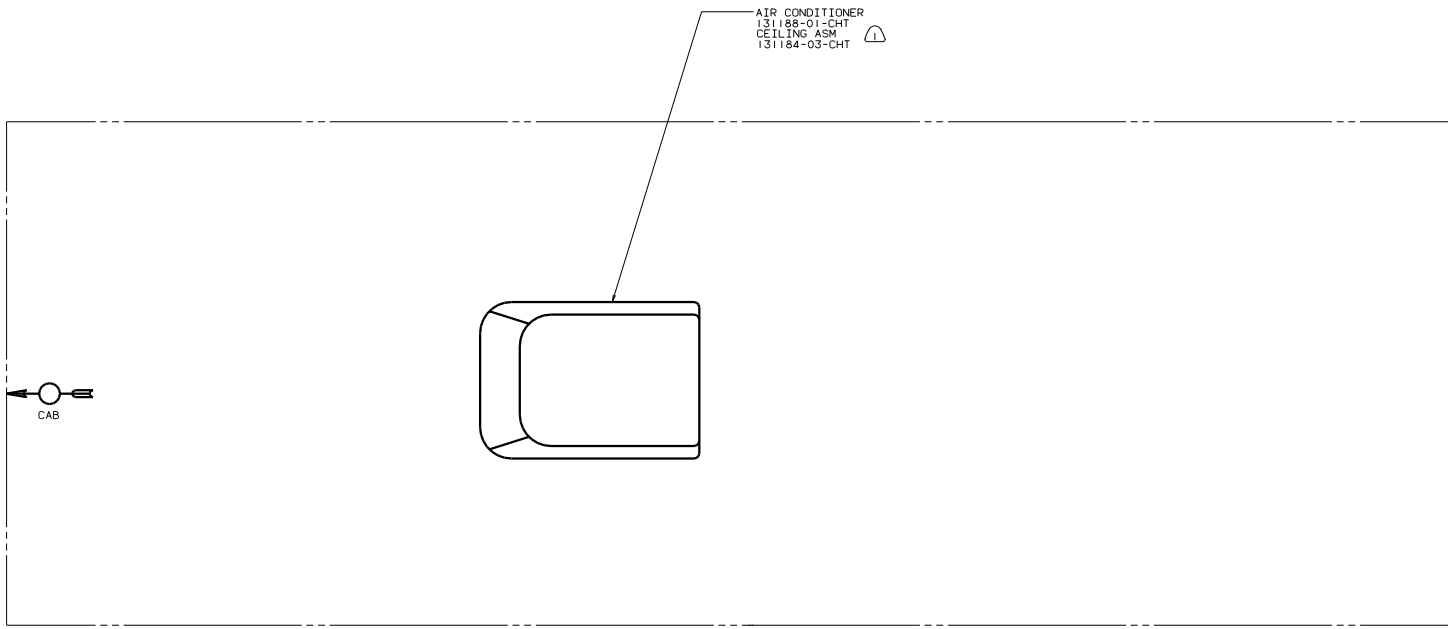
FOR ELECTRICAL TORQUE SPECIFICATIONS SEE DWG NO. 128783-01-000

FOR ELECTRICAL CALLOUTS SEE DWG NO. 121339-01-000

- 49X BED-QUEEN-BACKWALL
- 45G BED-TWINS
- 265 CODES/STANDARDS-CSA/CMVSS
- 250 A/C ROOF AIR (1) 14,800 BTU
- 120 ELECTRICAL SYSTEM 30 AMP

00 430V 120 265

FILE: WIRING INSTL-BODY.110 CC30CA
SHEET 6 OF 7



AIR CONDITIONER
 131188-01-CHT
 CEILING ASM
 131184-03-CHT

CAB

- (250) A/C ROOF AIR (1) 14,800 BTU
- (265) CODES/STANDARDS-CSA/CMVSS
- (1B1) CODES/STANDARDS USA

00 430V (1B1) (265) (250)

SEE WIRING INSTL-BODY, 12V FOR ADDITIONAL INFORMATION.