



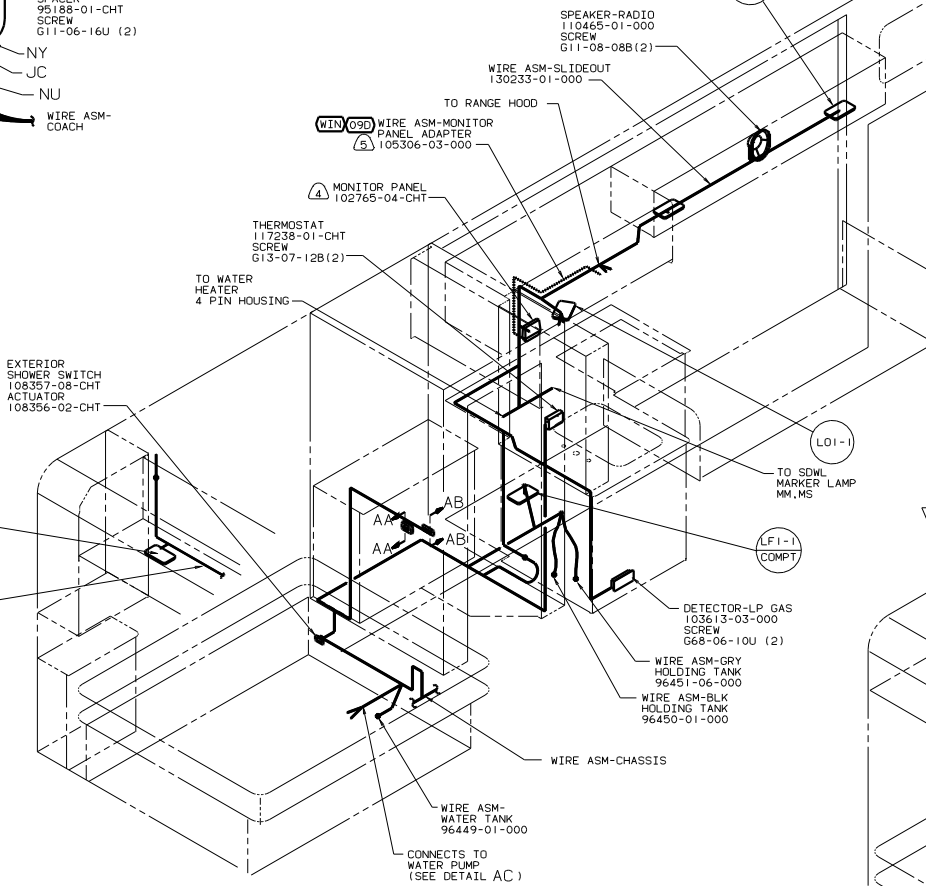
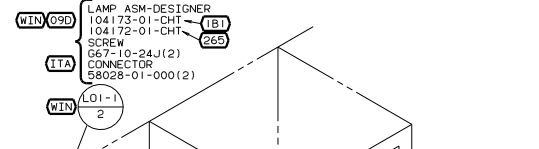
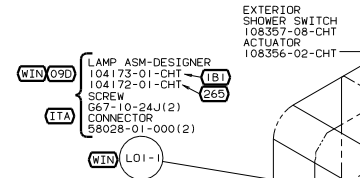
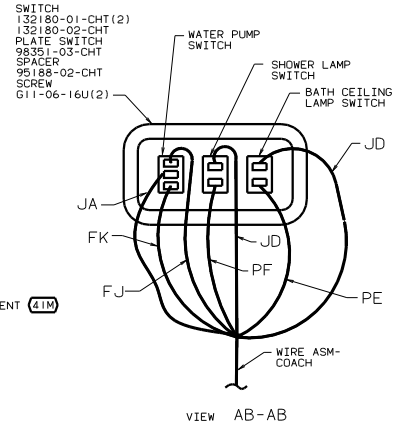
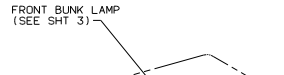
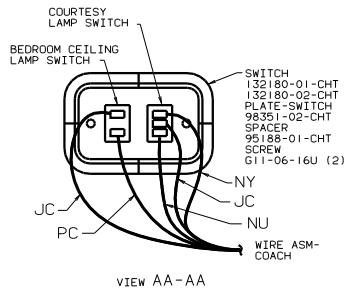
DANGER

Danger of electrical shock, burns or death. Always remove all power sources before attempting any repair, service or diagnostic work. Power can be present from shore power, generator, inverter or battery. All power sources must be disabled and secured before performing any service.



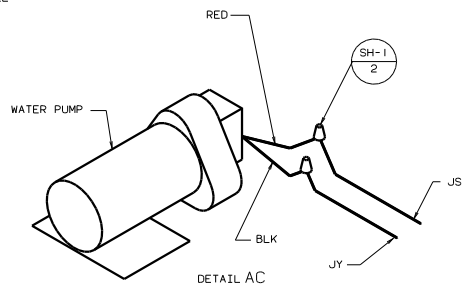
CAUTION

If you lack the skills, tools or equipment to perform diagnostic or repair work leave such work to an authorized Winnebago Industries dealer or other qualified shop.



(49X) BED-QUEEN-BACKWALL

(45G) BED-TWINS



- (5) DASHED LINES REPRESENT ROUTING FOR ADAPTER.
 (4) NOT USED WITH (09D)
 3. ALL GROUND WIRES TO BE COVERED WITH TUBING 8041-02-000.
 2. ALL 110V WIRES ARE TO BE CLAMPED WITH CLAMP 10497-01-000 WITHIN 200 OF OUTLET BOXES. USE SCREW G67-10-12B.
 1. ALL WIRES TO BE CLAMPED WITH CLAMP 10495-01-000 OR CLIP 80734-01-000 EVERY 600. USE SCREW G67-10-12B UNLESS OTHERWISE SPECIFIED.

- (WIN) WINNEBAGO ONLY
 (ITA) ITASCA ONLY
 (41M) VENT-PWR VENTILATOR
 (09D) DELUXE UPGRADE PACKAGE
 (265) CODES/STANDARDS-CSA/CMVSS
 (IB1) CODES STANDARDS/USA

(IB1)(265)

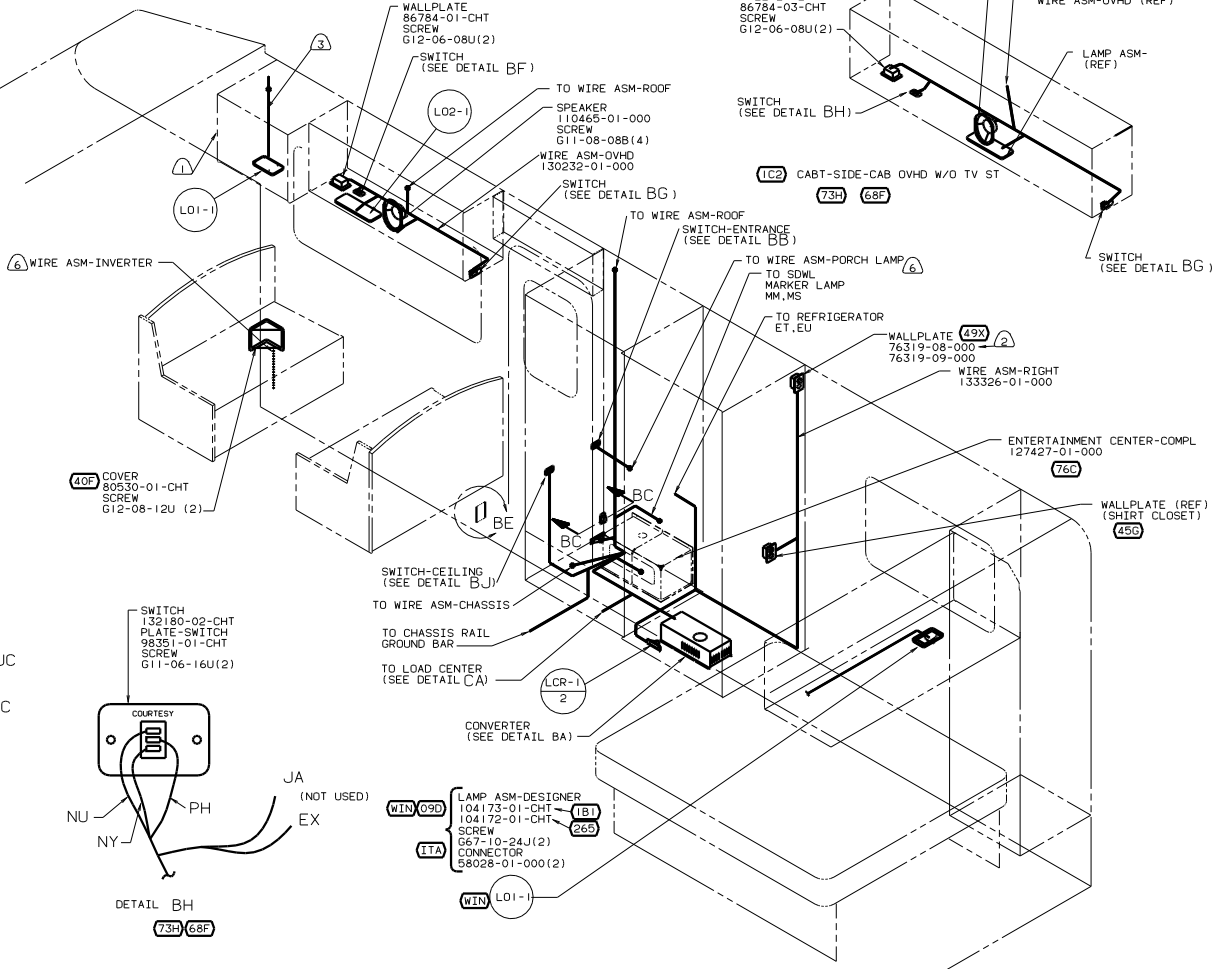
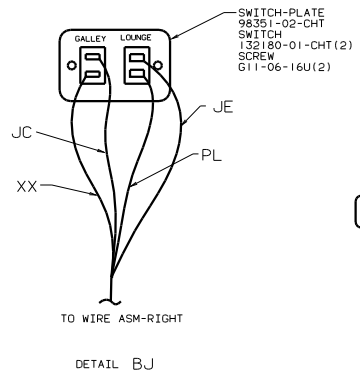
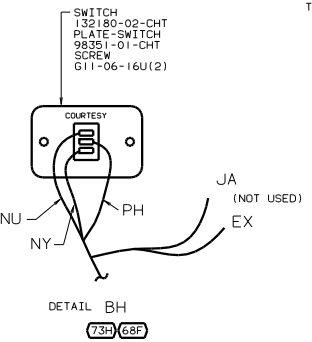
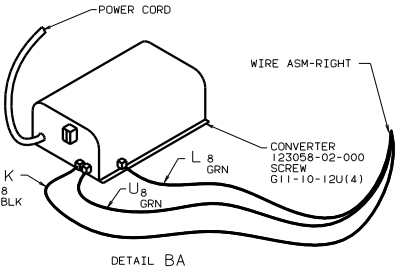
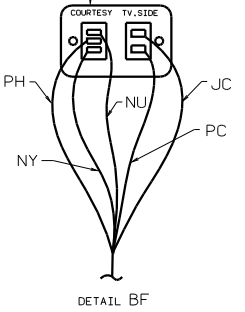
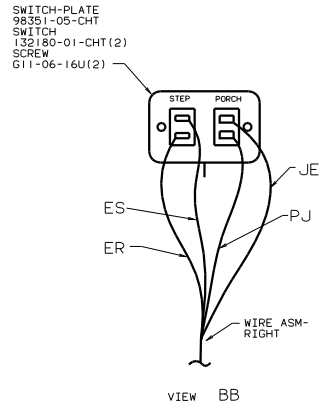
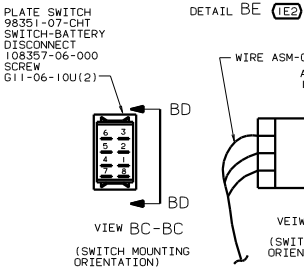
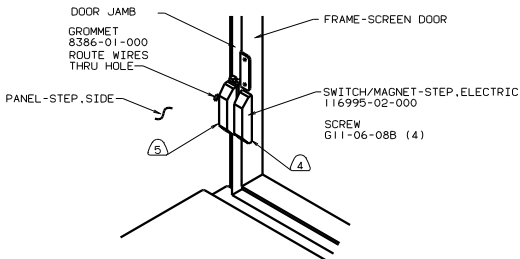
Winnebago 00 430V

DATE	DATE	DATE	DATE	DATE	DATE
DATE	DATE	DATE	DATE	DATE	DATE
DATE	DATE	DATE	DATE	DATE	DATE
DATE	DATE	DATE	DATE	DATE	DATE
DATE	DATE	DATE	DATE	DATE	DATE

WINNERS: 133206

133206

REF-130225



- ⑥ WIRE ROUTED IN SIDEWALL.
- ⑤ MOUNT SWITCH AND SPACER TO BLOCK ON JAMB. ADJUST HEIGHT TO MATCH MAGNET.
- ④ MOUNT MAGNET USING PILOT HOLES IN SCREW DOOR FRAME. MOUNT WITH MAGNET TOWARD SWITCH.
- ③ SEE CABT ASM-TV FOR ADDITIONAL INFORMATION.
- ② DECORATIVE PANELING.
- ① SEE WIRING INSTL-TV/VCR, SIDE FOR ADDITIONAL INFORMATION.

WARNING! ~~WARNING! THIS PRODUCT IS NOT TO BE USED IN A BATHROOM OR OTHER WET AREA. ALWAYS USE PROPER GROUNDING.~~

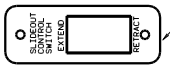
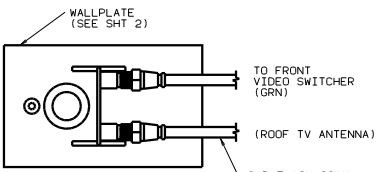


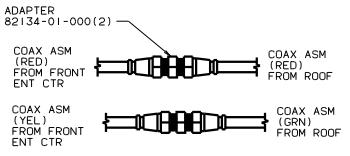
PLATE-SWITCH 81994-10-000 SWITCH 108357-06-CHT ACTUATOR 108356-02-CHT NUT D65-08-00B(2) LABEL 116220-01-000

- (WIN) WINNEBAGO ONLY
- (ITA) ITASCA ONLY
- (1E2) ENTRANCE STEP-ELEC.
- (40F) INVERTER-DC/AC 130W
- (09D) DELUXE UPGRADE PACKAGE
- (1C2) CABT-SIDE-CAB OVHD W/O TV ST
- (1C1) CABINET-SIDE W/O TV STORAGE
- (1B1) CODES STANDARDS/USA
- (265) CODES/STANDARDS-CSA/CMVSS
- (73H) TV-19"/VCR/VIDEO SEL/SSL BNK
- (68F) TV-19"/VIDEO SELECT/SSL BUNK
- (76C) ENTERTAINMENT CTR/EXT CSETTE
- (250) A/C ROOF AIR (1) 14,800 BTU

00 430V (1B1) (265)

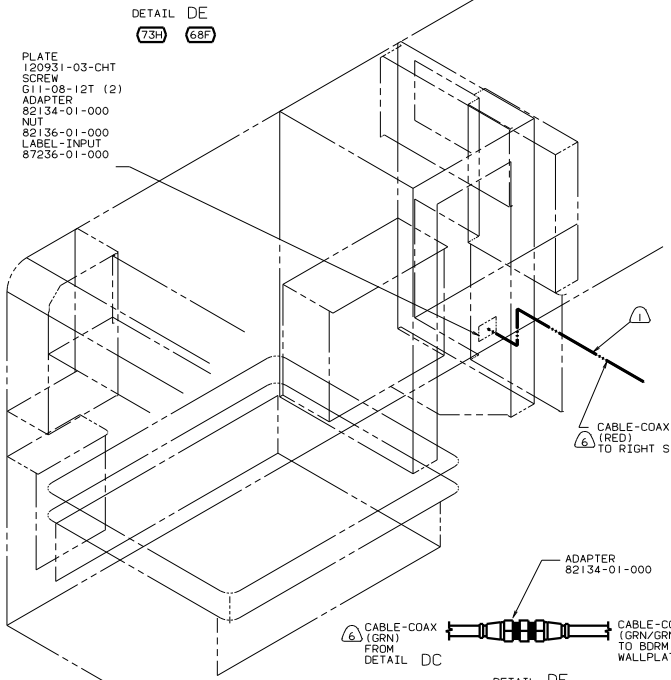


VIEW DD-DD (73H) (68F)

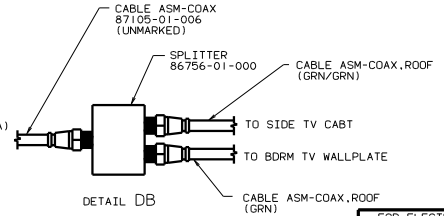
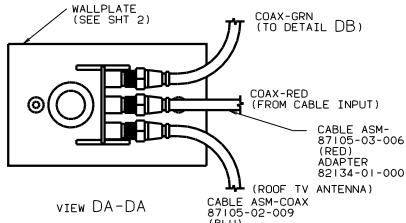


DETAIL DE (73H) (68F)

- PLATE 120931-03-CHT
- SCREW G1-08-12T (2)
- ADAPTER 82134-01-000
- NUT 82136-01-000
- LABEL-INPUT 87236-01-000



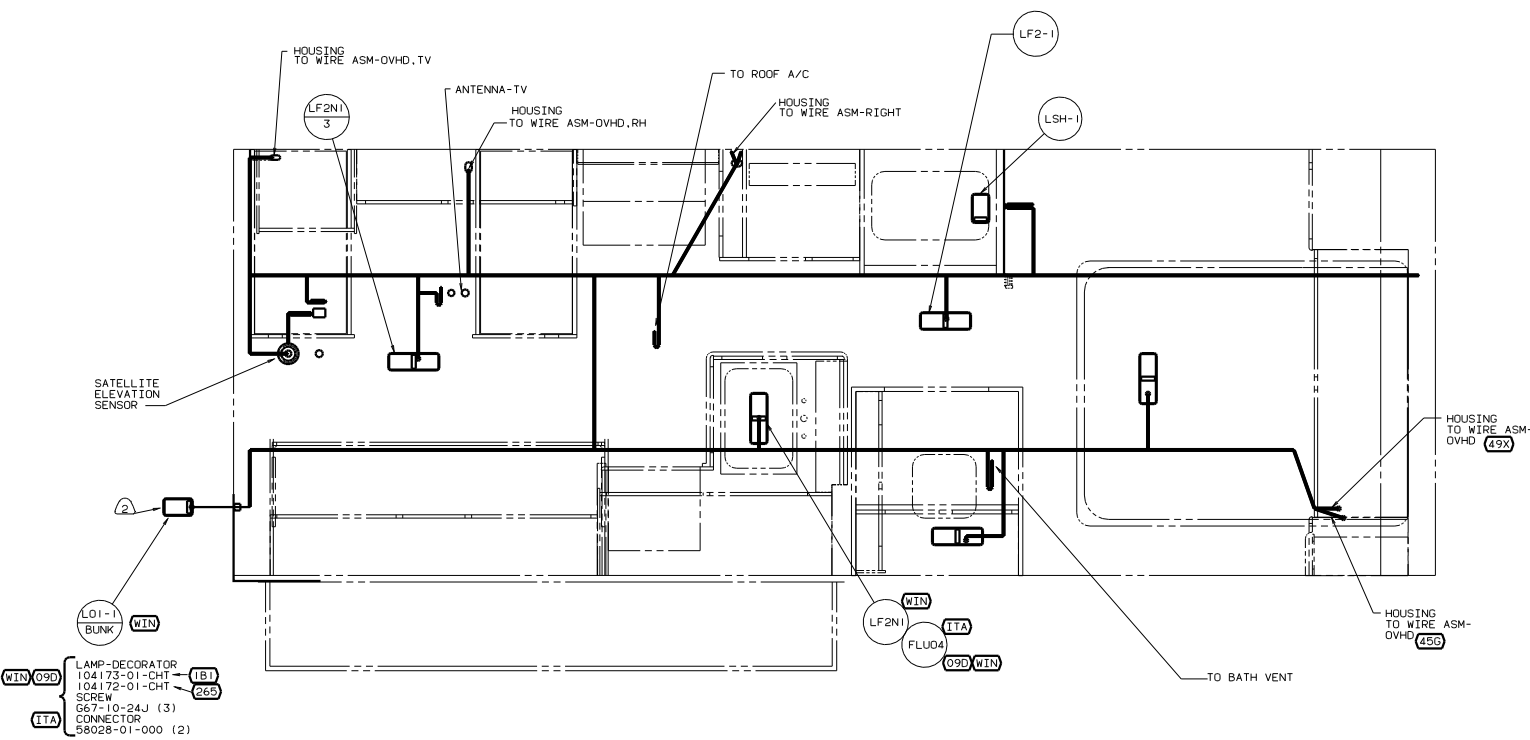
- NOTES:
- (7) SENSOR ASM SUPPLIED WITH (48D)
 - (6) COAX IS AN INTEGRAL PART OF WIRE ASM-RIGHT.
 - (5) SEE WIRING INSTL-TV/VCR,SIDE FOR ADDITIONAL INFORMATION.
 - (4) SEE ENT CTR INSTL-EXT FOR ADDITIONAL INFORMATION.
 - (3) SEE WIRING INSTL-TV/VCR FRONT FOR ADDITIONAL INFORMATION.
 - (2) WIRE ROUTED IN ROOF.
 - (1) ROUTE WIRE THRU FLOOR.



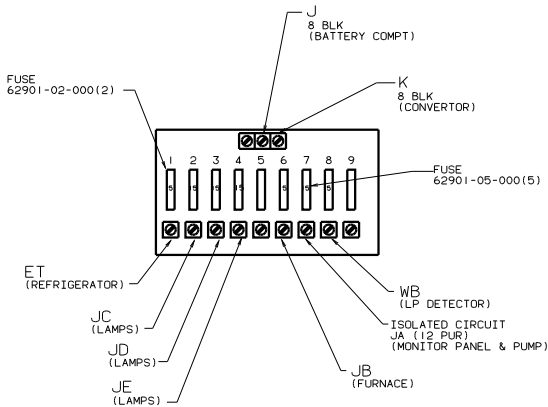
FOR ELECTRICAL TORQUE SPECIFICATIONS SEE DWG NO. 128783-01-000

- (48D) SATELLITE DISH
- (1C2) CABT-SIDE-CAB OVHD W/O TV ST
- (1C1) CABINET-SIDE W/O TV STORAGE
- (76C) ENTERTAINMENT CTR/EXT CSETTE
- (49X) BED-QUEEN-BACKWALL
- (45G) BED-TWINS
- (73H) TV-19"/VCR/VIDEO SEL/SGL BNK
- (68F) TV-19"/VIDEO SELECT/SGL BUNK
- (26S) CODES/STANDARDS-CSA/CMVSS
- (1B1) CODES STANDARDS/USA

00 430V (1B1) (26S)



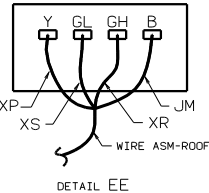
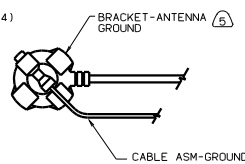
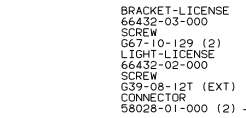
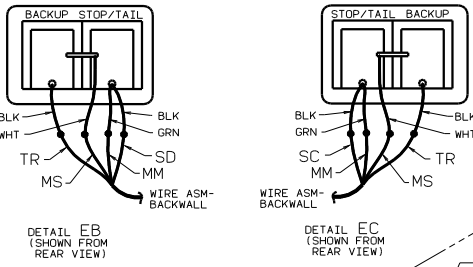
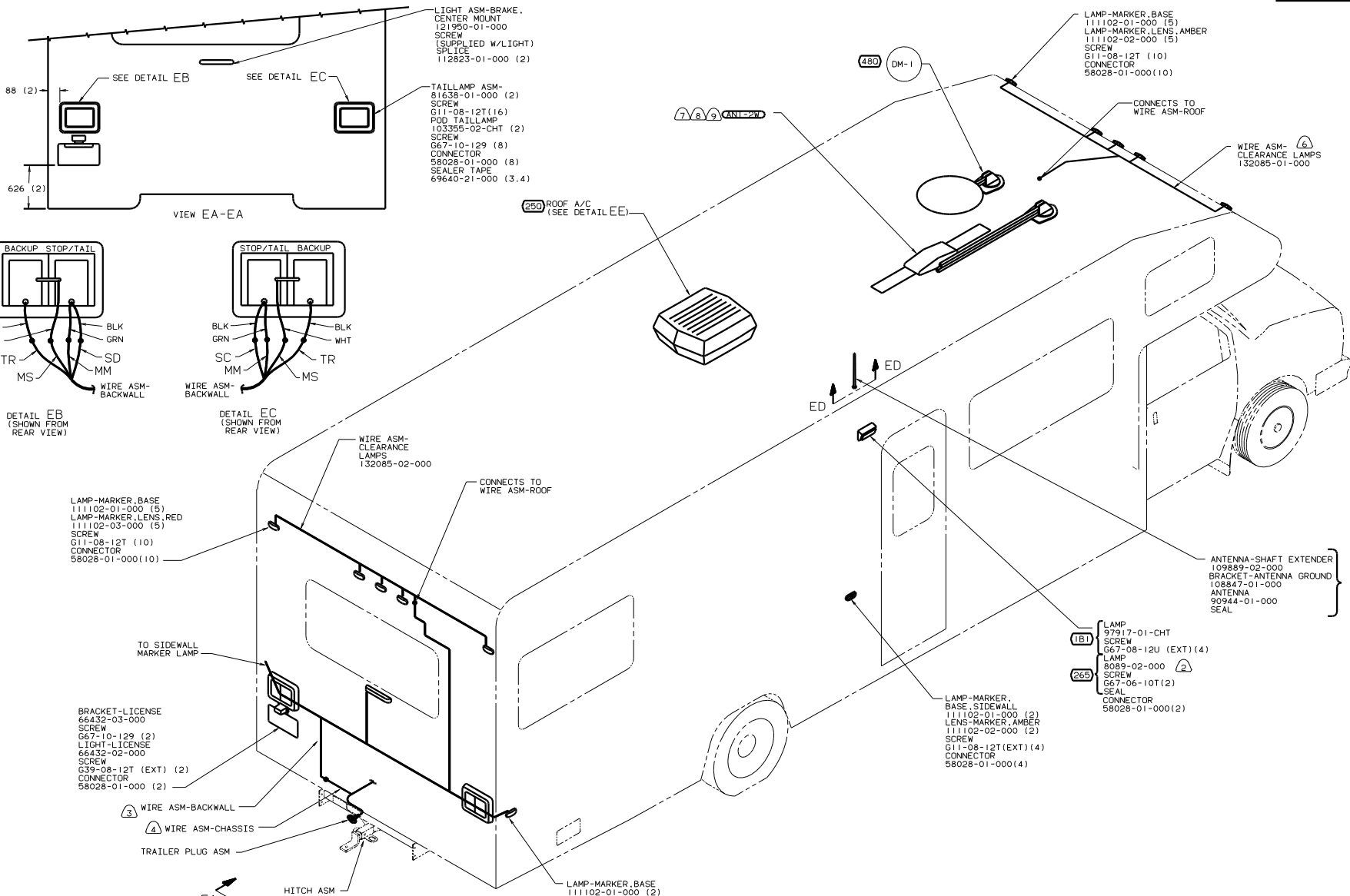
- LO1-1 BUNK (WIN)
- LAMP-DECORATOR 104173-01-CHT (IB1)
- LAMP-DECORATOR 104172-01-CHT (265)
- SCREW G67-10-24J (3)
- CONNECTOR 58028-01-000 (2) (ITA)



- (WIN) WINNEBAGO ONLY
- (ITA) ITASCA ONLY
- (49X) BED-QUEEN-BACKWALL
- (45X) BED-TWINS
- (265) CODES/STANDARDS-CSA/CMVSS
- (IB1) CODES STANDARDS/USA
- (09D) DELUXE UPGRADE PACKAGE

00 430V (IB1)(265)

2 CONNECTION FOR THE WIRE ASM CLEARANCE LAMPS IS MADE UNDER LAMP ASM.
 1. SEE ROOF ASM FOR ADDITIONAL INFORMATION.



- ③ LOCATED IN FRONT ROOF ASM.
- ⑤ WRAP BRACKET LEGS AROUND ANTENNA BASE.
- ④ SECURE WIRE BELOW COACH WITH CLAMP 10495-01-000 AND SCREW G67-10-12B.
- ③ LOCATED IN BACKWALL ASM.
- ② INSTALL WITH WIRES TOWARDS ROOF.

- ⑨ SEE DRAWING 76319-01-000 FOR INSTALLATION OF TV ANTENNA.
- ⑧ LOCATE CLAMP TO RETAIN CABLE BUT NOT TO RESTRICT ANTENNA TRAVEL.
- ⑦ ADD RUBBER BUMPER TO ROOF UNDER EACH END OF ANTENNA IN DOWN POSITION WHICH MAY COME INTO CONTACT WITH ROOF.

FOR ELECTRICAL TORQUE SPECIFICATIONS SEE DWG NO. 128753-01-000

- ⑦⑥ ENTERTAINMENT CTR/EXT CSETTE
- ④⑧ SATELLITE DISH
- ②⑤ A/C ROOF AIR (1) 14,800 BTU
- ②⑥ CODES/STANDARDS-CSA/CMVSS
- ①① CODES STANDARDS/USA

00 430V ①①②⑥
 TITLE: WIRING INSTL-BODY, 12V EXT
 SHEET 5 OF 5