



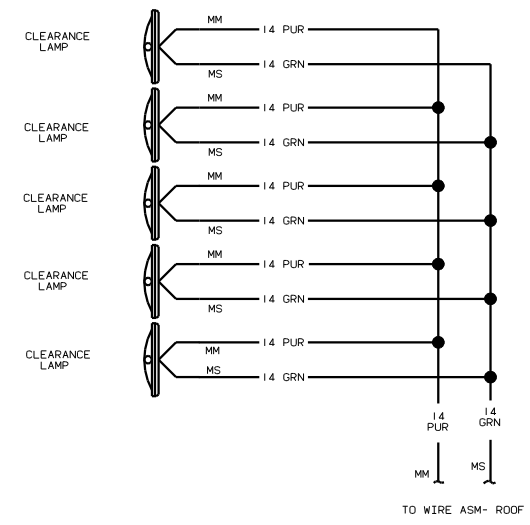
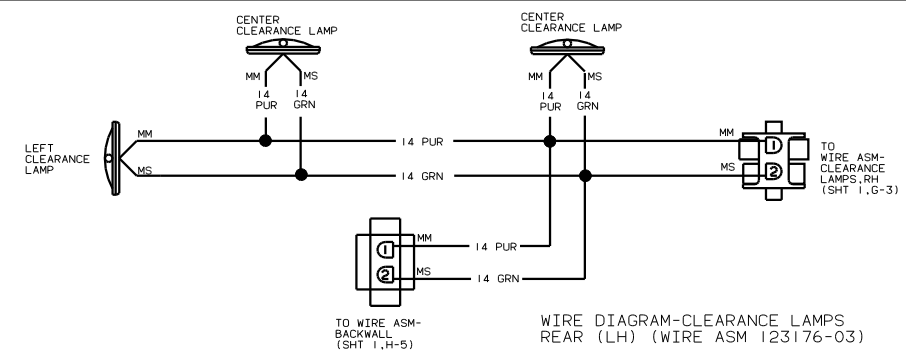
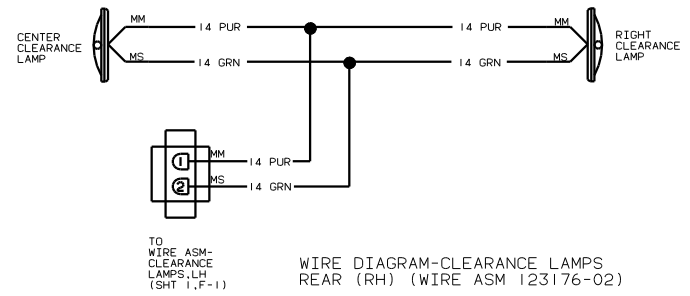
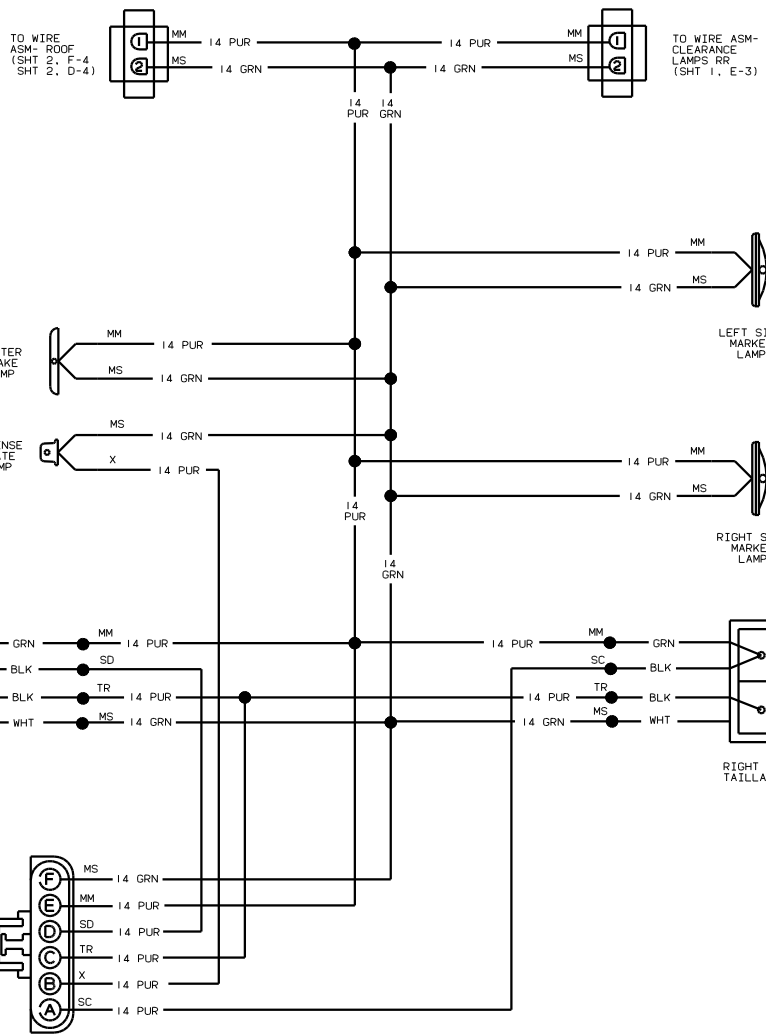
DANGER

Danger of electrical shock, burns or death. Always remove all power sources before attempting any repair, service or diagnostic work. Power can be present from shore power, generator, inverter or battery. All power sources must be disabled and secured before performing any service.



CAUTION

If you lack the skills, tools or equipment to perform diagnostic or repair work leave such work to an authorized Winnebago Industries dealer or other qualified shop.



FRONT WIRING DIAGRAM CLEARANCE LIGHTS
 (WIRE ASM 132085-01/02)

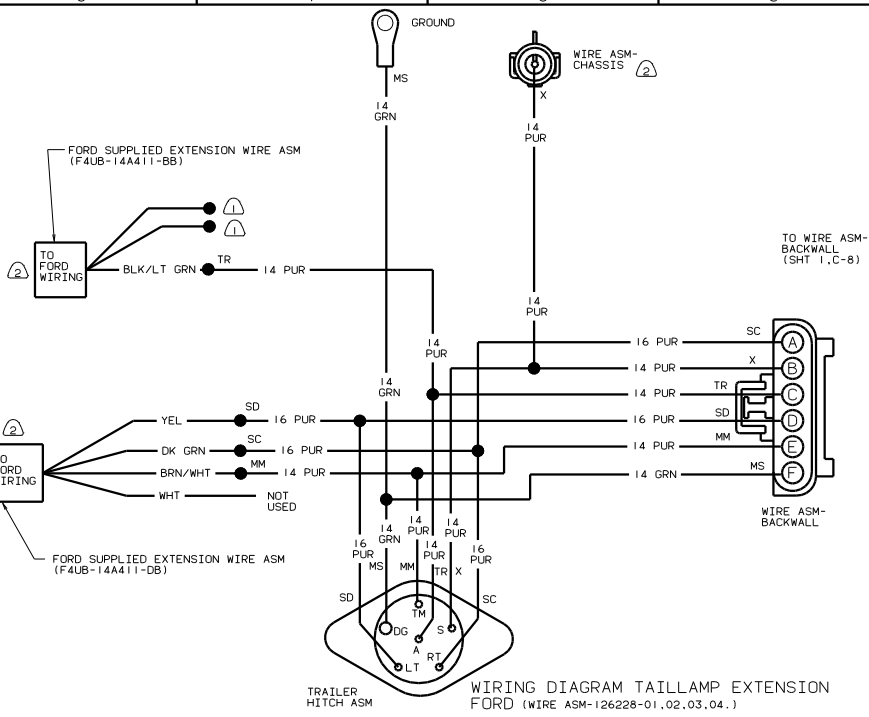
NOTES: SEE MANUFACTURER'S DIAGRAM FOR ADDITIONAL INFORMATION.

WINNEBAGO 00 300/400

OF 10	DATE	UNSPECIFIED TOLERANCES ARE:	INVERTAL
CHP	DATE	WHOLE OR .01	
DFE	DATE	ONE-PLACE (0.01)	
D/E	DATE	TWO-PLACE (0.001)	
MM	DATE	MILS	
COMP	DATE	THRU WHOLE PRODUCTION	

LANE# - - - - - TITLE: WIRING DIAGRAM-AUTO LAMPS
 REV # SCALE: NONE TO THE SCALE SHOWN THE ENG NO
 ALL DIMENSIONS ARE IN MILLIMETERS SHEET 1 OF 2 132847

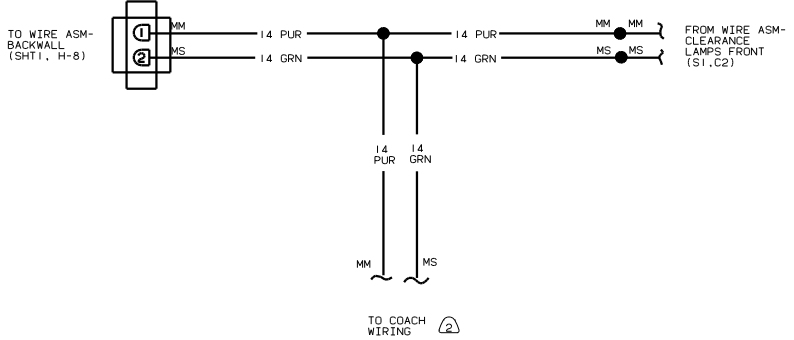
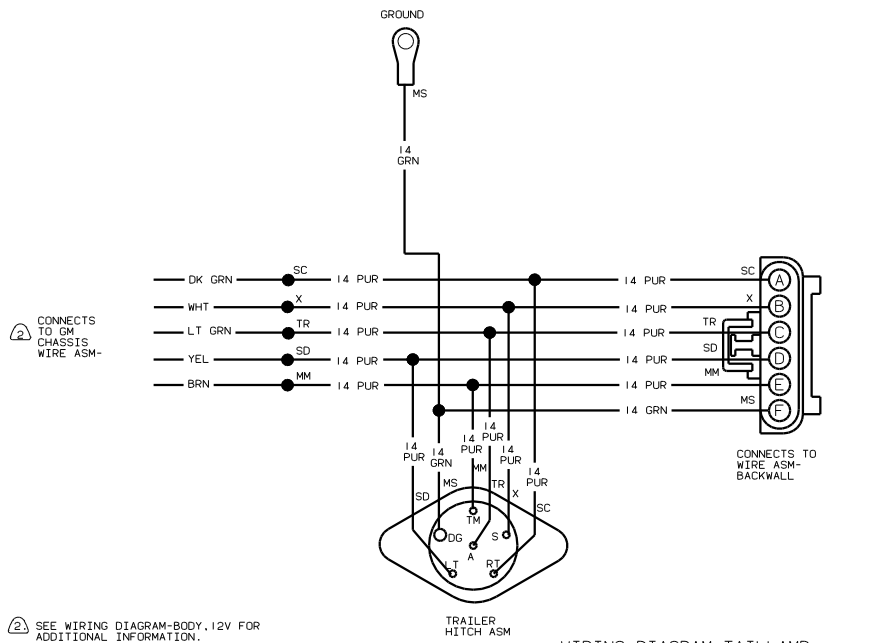
REF: 127169



WIRING DIAGRAM-COACH, MARKER LAMPS 331C, 331T, 430V, 431A



WIRE DIAGRAM-ROOF 322E, 322R, 324V, 327P, 329N, 429U



WIRE DIAGRAM-ROOF 331C, 331T, 430V, 431A

NOTES:
 ② SEE WIRING DIAGRAM-BODY, 12V FOR ADDITIONAL INFORMATION.
 ① SEE MANUFACTURER'S DIAGRAM FOR ADDITIONAL INFORMATION.