



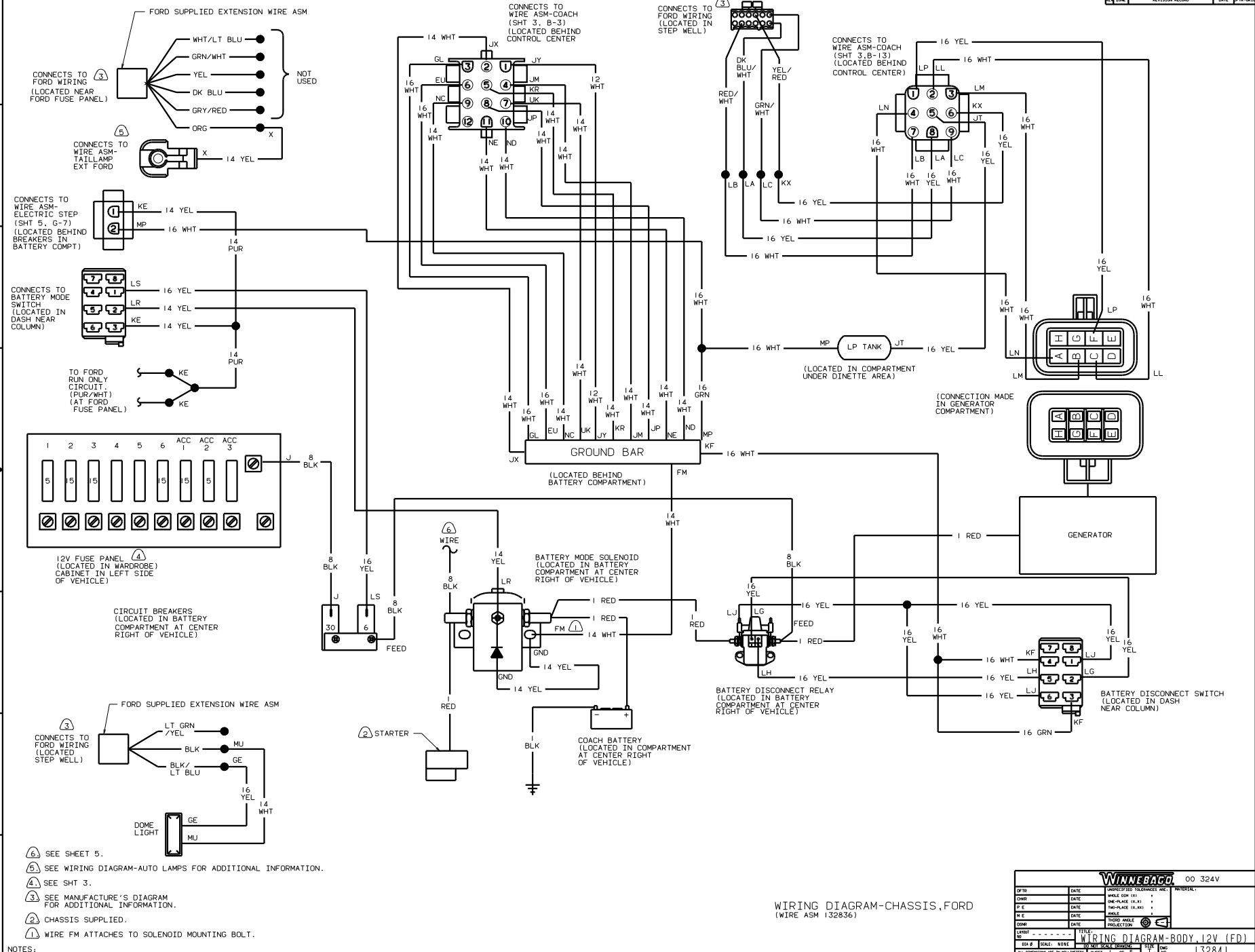
DANGER

Danger of electrical shock, burns or death. Always remove all power sources before attempting any repair, service or diagnostic work. Power can be present from shore power, generator, inverter or battery. All power sources must be disabled and secured before performing any service.



CAUTION

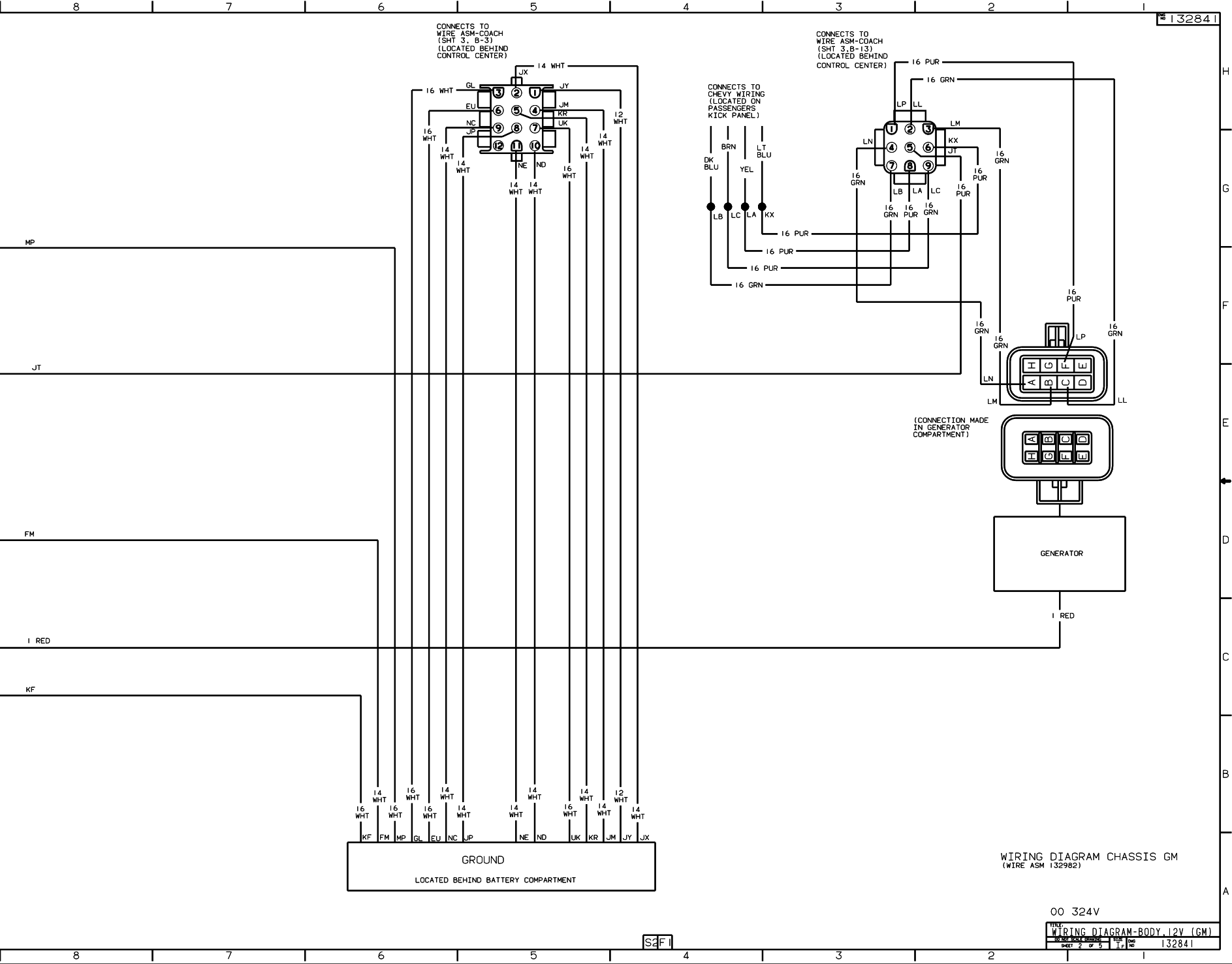
If you lack the skills, tools or equipment to perform diagnostic or repair work leave such work to an authorized Winnebago Industries dealer or other qualified shop.



- ③ SEE SHEET 5.
- ② SEE WIRING DIAGRAM-AUTO LAMPS FOR ADDITIONAL INFORMATION.
- ④ SEE SHT 3.
- ③ SEE MANUFACTURER'S DIAGRAM FOR ADDITIONAL INFORMATION.
- ② CHASSIS SUPPLIED.
- ① WIRE FM ATTACHES TO SOLENOID MOUNTING BOLT.

WIRING DIAGRAM-CHASSIS,FORD
(WIRE ASM 132836)

WINNEBAGO		00 324V	
DATE	UNDESIGNED TOLERANCES ARE:	MATERIAL:	
DATE	HALF DIM (H)		
DATE	ONE-PLACE (H, H)		
DATE	TWO-PLACE (H, H)		
DATE	ANGLE		
DATE	INDUS. W/ANGLE		
DATE	PROJECTION		
LAYOUT		TITLE	
BY #		WIRING DIAGRAM-BODY, 12V (FD)	
SCALE		NO. THIS SCALE	
ALL DIMENSIONS ARE IN MILLIMETERS		SHEET 1 OF 5	
REF: 129156		132841	



CONNECTS TO WIRE ASM-COACH (SHT 3, B-3) (LOCATED BEHIND CONTROL CENTER)

CONNECTS TO WIRE ASM-COACH (SHT 3, B-13) (LOCATED BEHIND CONTROL CENTER)

CONNECTS TO CHEVY WIRING (LOCATED ON PASSENGERS KICK PANEL)

(CONNECTION MADE IN GENERATOR COMPARTMENT)

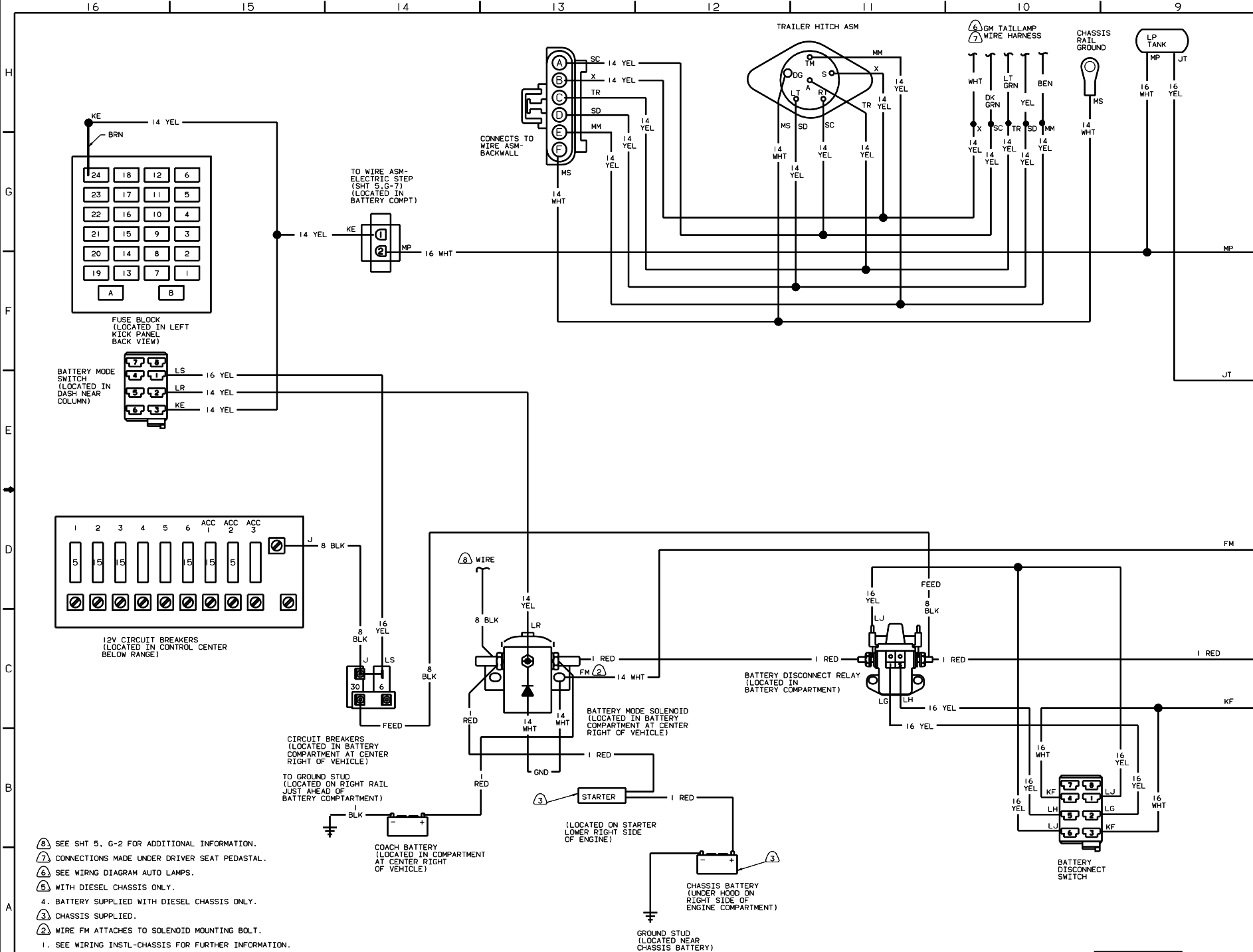
GROUND
LOCATED BEHIND BATTERY COMPARTMENT

WIRING DIAGRAM CHASSIS GM
(WIRE ASM 132982)

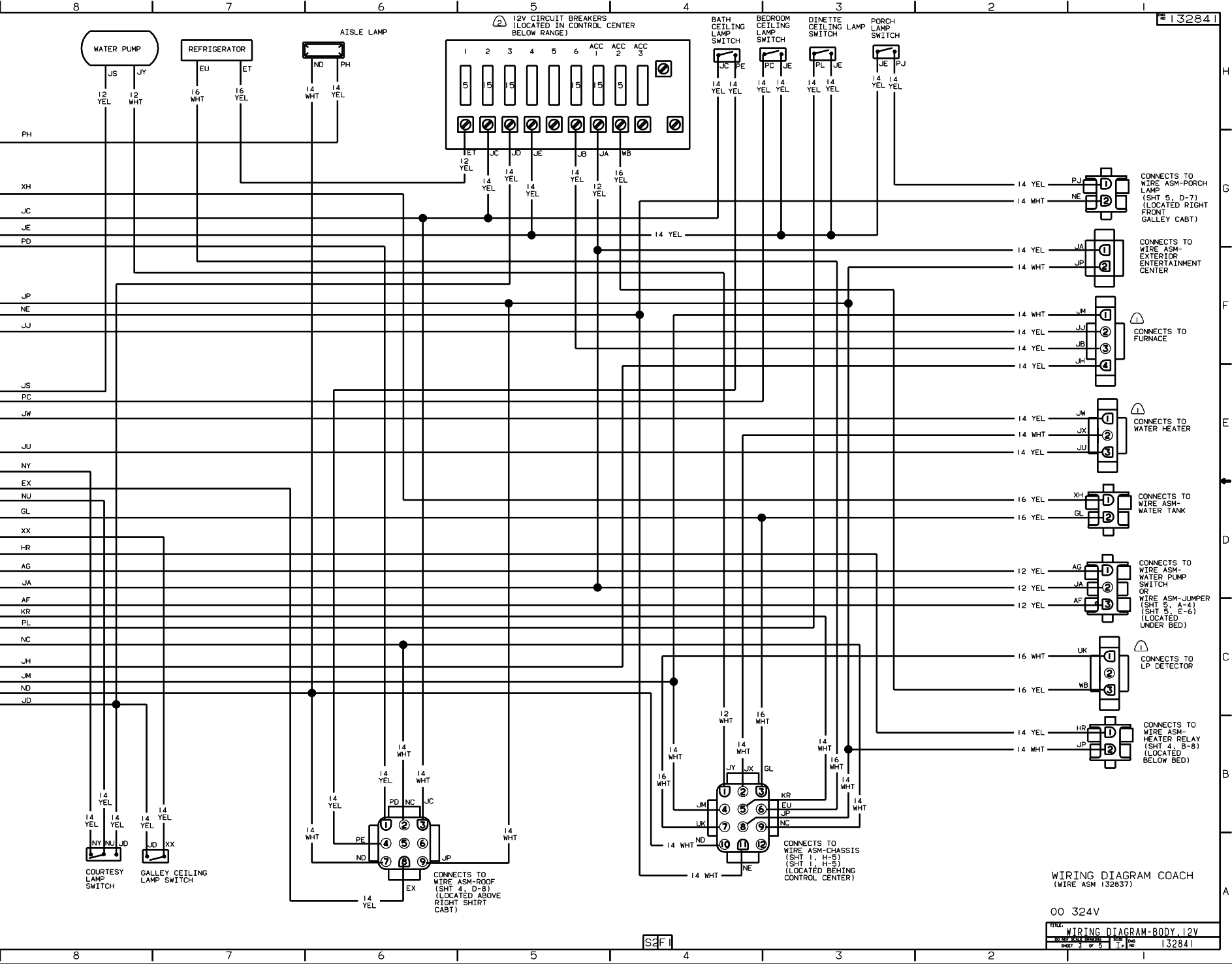
00 324V

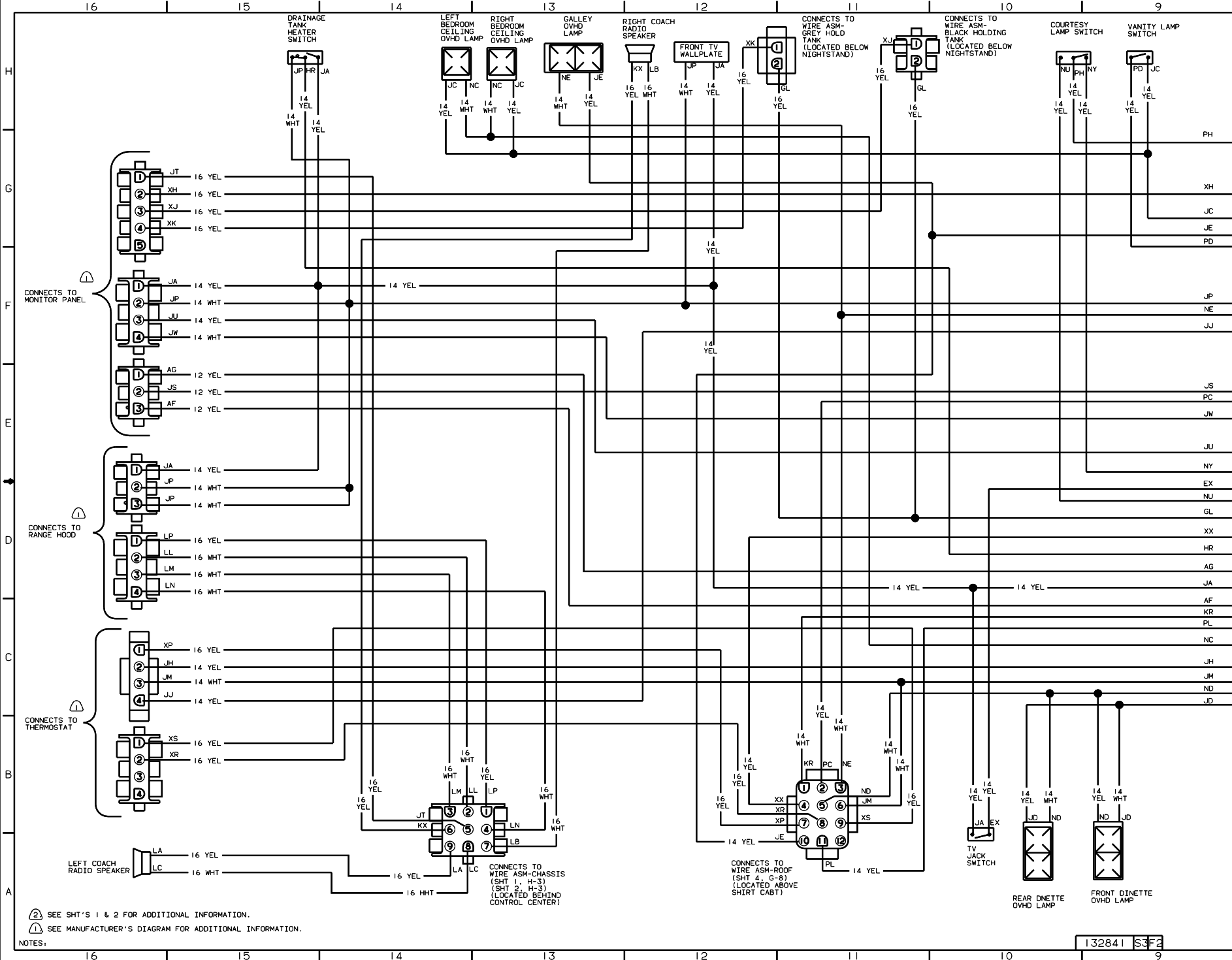
FILE: WIRING DIAGRAM-BODY 12V (GM)
SHEET 2 OF 5





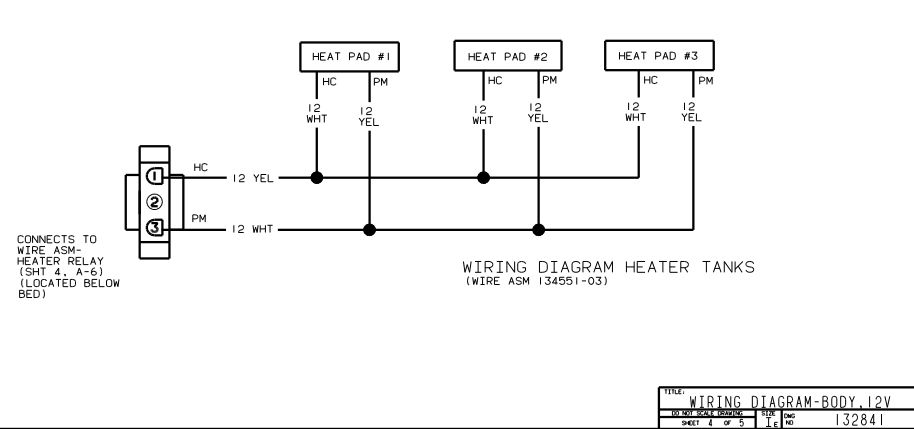
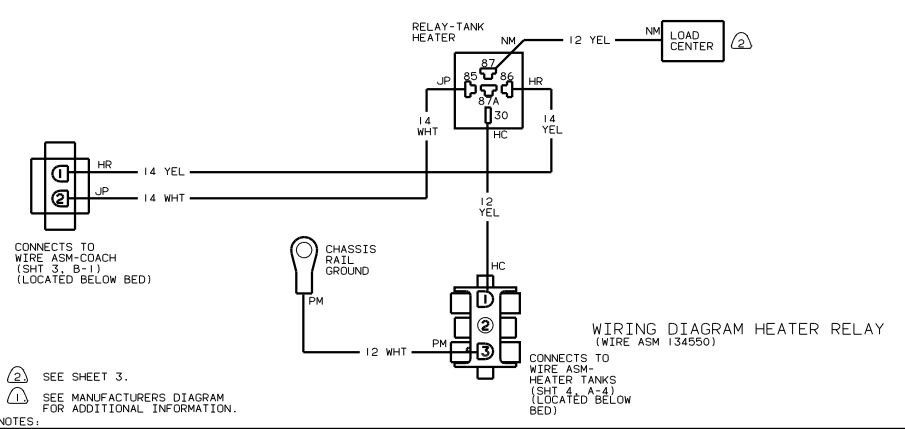
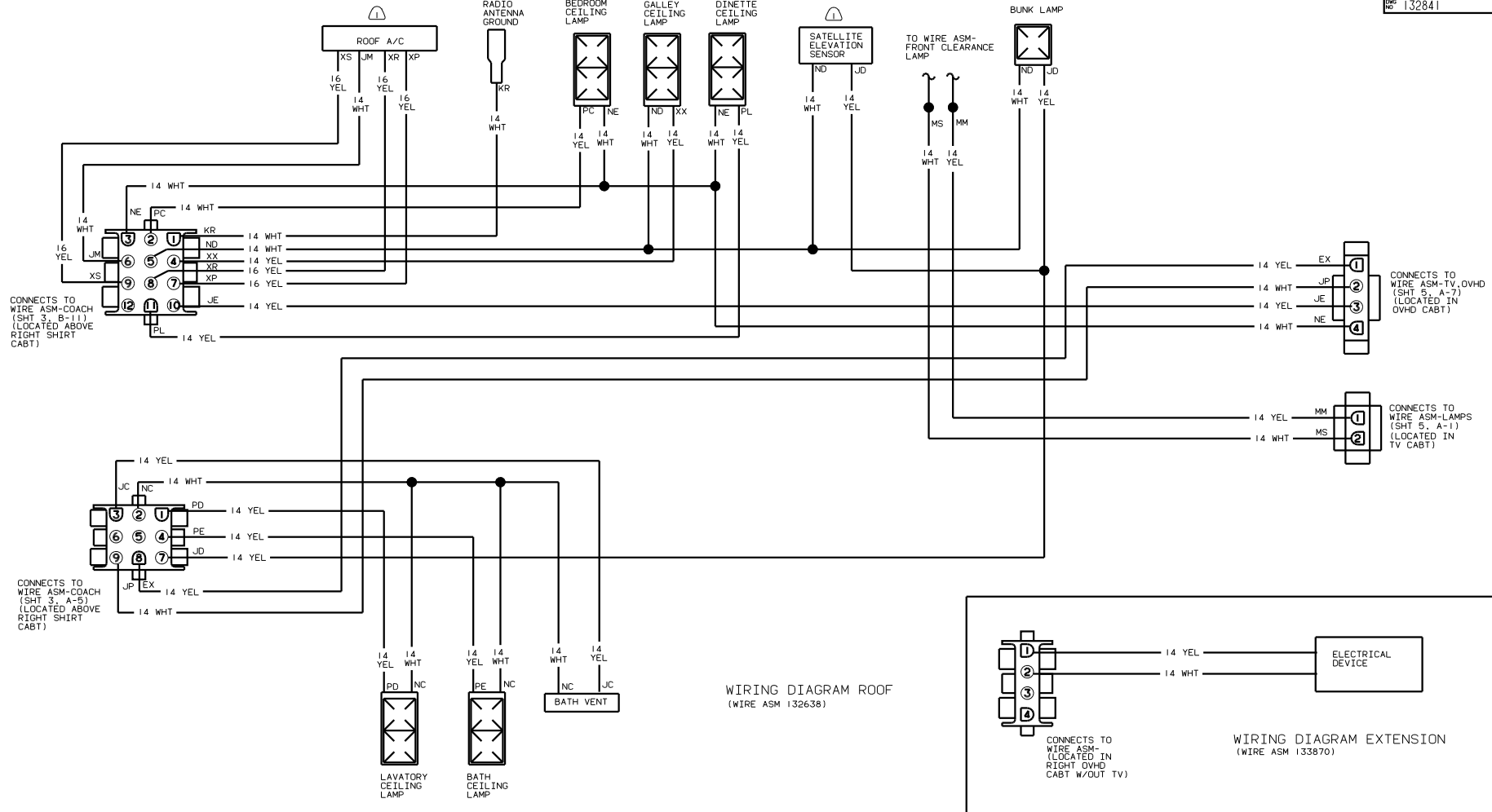
- NOTES:
- ① SEE SHT 5, G-2 FOR ADDITIONAL INFORMATION.
 - ② CONNECTIONS MADE UNDER DRIVER SEAT PEDASTAL.
 - ③ SEE WIRING DIAGRAM AUTO LAMPS.
 - ④ WITH DIESEL CHASSIS ONLY.
 4. BATTERY SUPPLIED WITH DIESEL CHASSIS ONLY.
 - ③ CHASSIS SUPPLIED.
 - ② WIRE FM ATTACHES TO SOLENOID MOUNTING BOLT.
 1. SEE WIRING INSTL-CHASSIS FOR FURTHER INFORMATION.



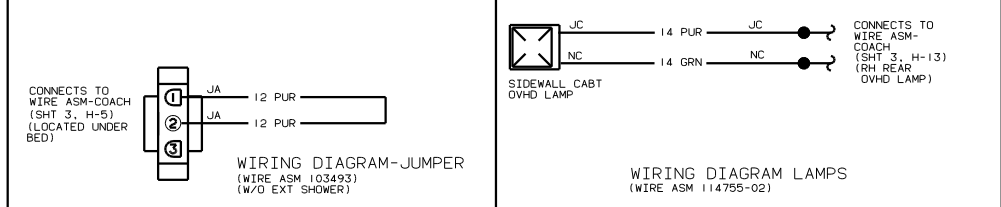
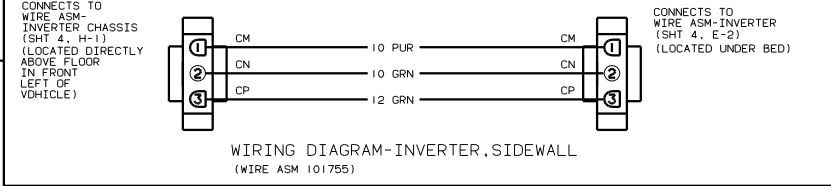
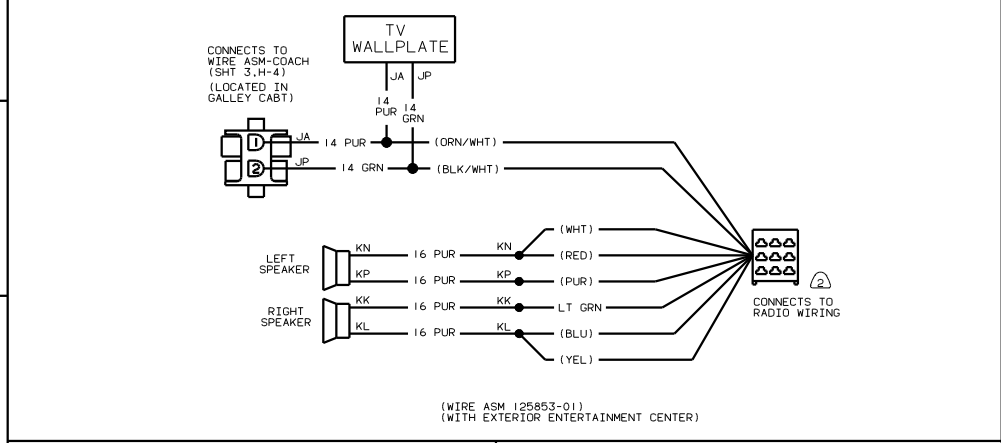
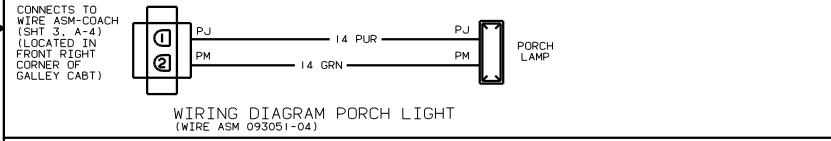
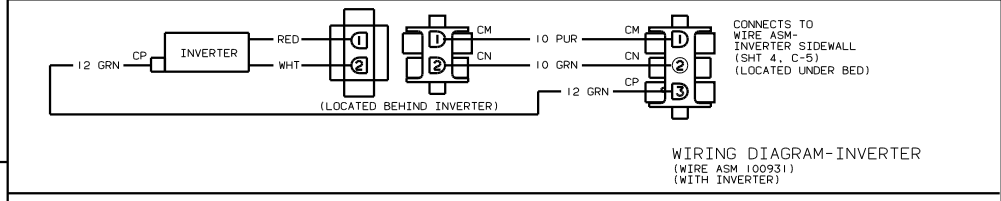
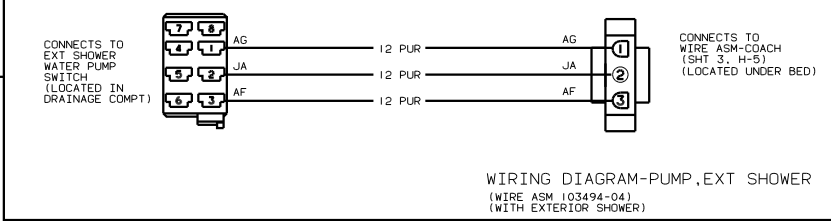
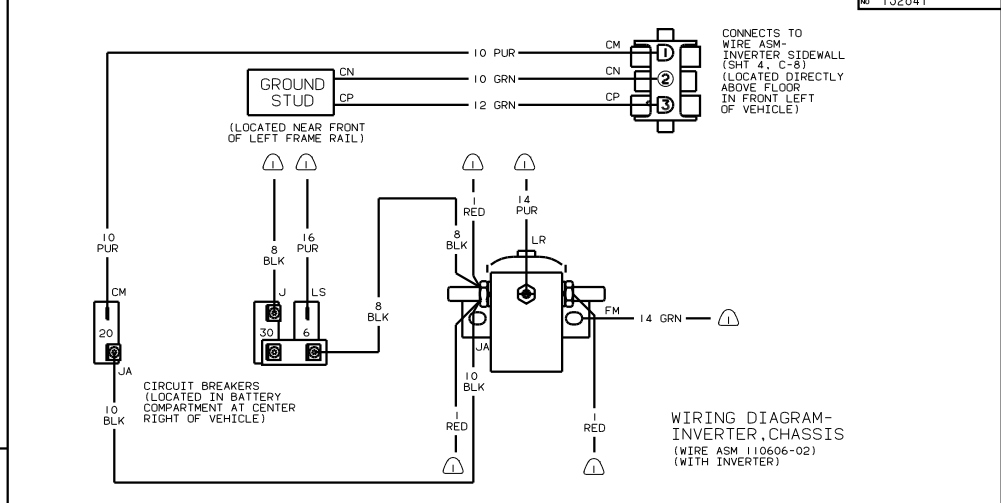
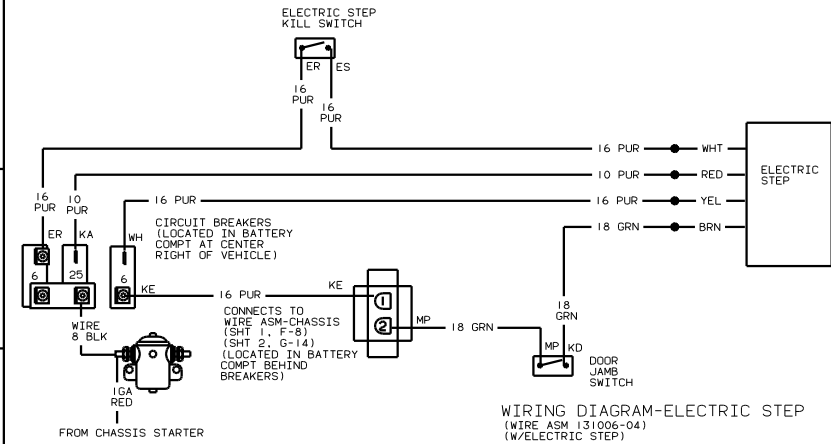


(2) SEE SHT'S 1 & 2 FOR ADDITIONAL INFORMATION.
 (1) SEE MANUFACTURER'S DIAGRAM FOR ADDITIONAL INFORMATION.

NOTES:



NOTES:
 (2) SEE SHEET 3.
 (1) SEE MANUFACTURER'S DIAGRAM FOR ADDITIONAL INFORMATION.



NOTES:
② SEE MANUFACTURER'S DIAGRAM FOR ADDITIONAL INFORMATION.
① SEE SHT 1 FOR ADDITIONAL INFORMATION.