



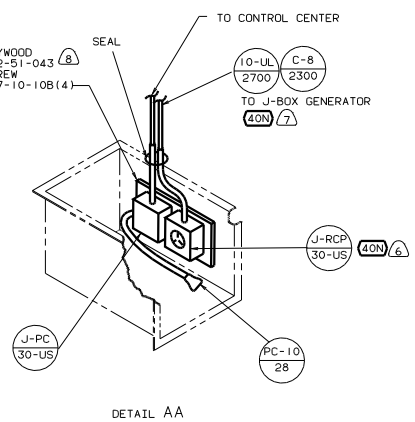
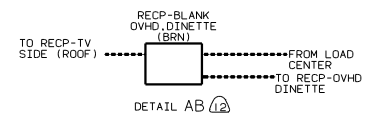
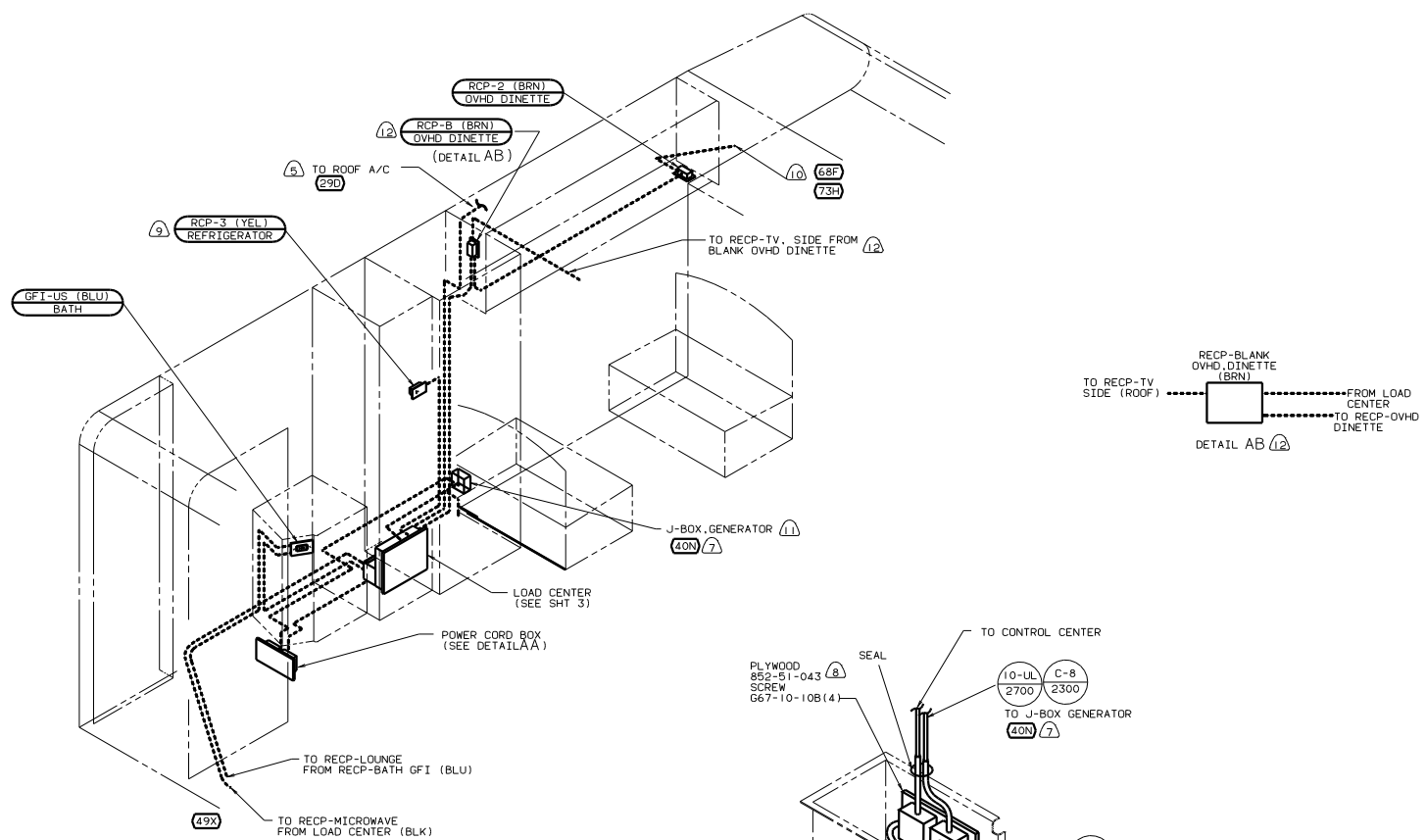
**DANGER**

**Danger of electrical shock, burns or death.** Always remove all power sources before attempting any repair, service or diagnostic work. Power can be present from shore power, generator, inverter or battery. All power sources must be disabled and secured before performing any service.



**CAUTION**

If you lack the skills, tools or equipment to perform diagnostic or repair work leave such work to an authorized Winnebago Industries dealer or other qualified shop.



- 78A TV-13" W/VCP-12V
- 49X BED-QUEEN - BACKWALL
- 40N GEN-4.0KW-ONAN-GAS-MICROLITE
- 29D A/C ROOF-ONE 13,500 BTU
- 12D ELECTRICAL SYSTEM 30 AMP
- 1B1 CODES/STANDARDS USA
- 73H TV-19"/VCR/VIDEO SEL/SGL BNK
- 68F TV-19"/VIDEO SELECT/SGL BUNK

- 12 NOT USED WITH 68F 73H 78A
  - 1 JUNCTION BOX TO BE MOUNTED AS HIGH AS IS PRACTICALLY POSSIBLE WITHIN THE DINETTE SEAT COMPARTMENT, ON THE REFRIGERATOR WALL.
  - 10 WITH FRONT ENTERTAINMENT CENTER, SEE WIRING INSTL-TV/VCR, FRONT FOR ADDITIONAL INFORMATION.
  - 9 LOCATE REFRIGERATOR RECEPT ON TIEDOWN BRACKET.
  - 8 PAINT ALL EXPOSED SURFACES BLACK WITH 106112-01-000.
  - 7 SEE GENERATOR INSTALLATION FOR ADDITIONAL INFORMATION.
  - 6 INSTALL RECP WITH GROUND TOWARD OUTBOARD SIDE OF VEHICLE.
  - 5 ROUTE WIRE THRU ROOF.
  - 4 ROUTE WIRE THRU FLOOR.
3. ALL GROUND WIRES TO BE COVERED WITH TUBING 8041-02-000.
2. ALL 110V WIRES ARE TO BE CLAMPED WITH CLAMP 10497-05-000 WITHIN 200 OF OUTLET BOXES. USE SCREW G67-10-12B.
1. ALL WIRES TO BE CLAMPED WITH CLAMP 10495-01-000 OR CLIP 80734-01-000 EVERY 1200. USE SCREW G67-10-12B UNLESS OTHERWISE SPECIFIED.

FOR ELECTRICAL TORQUE SPECIFICATIONS SEE DWG NO. 128783-01-000

X-X

FOR ELECTRICAL CALLOUTS SEE DWG NO. 121339-01-000

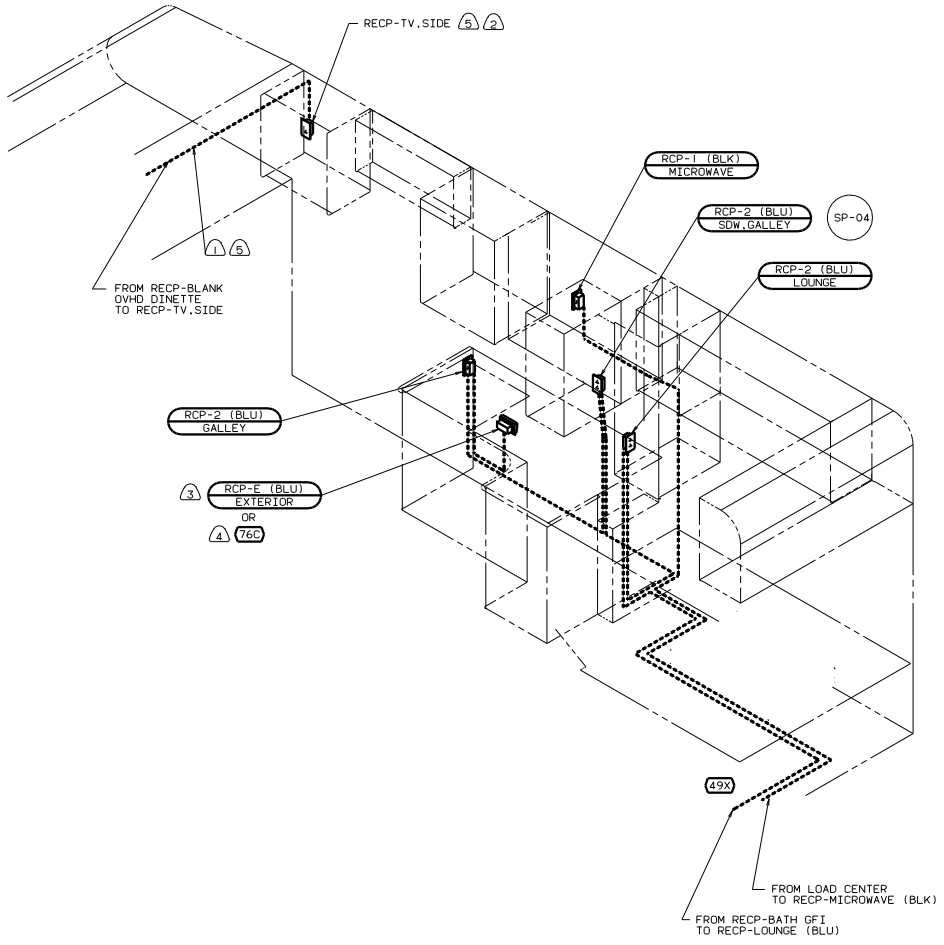
WINNEBAGO 00 324V

DATE	BY	REVISION

WIRING INSTL - BODY 110V (130US)

SHEET 1 OF 7

REF: 129155E



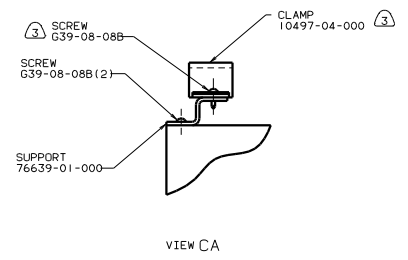
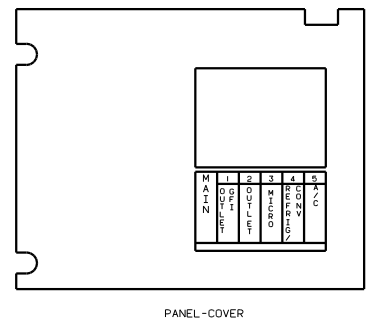
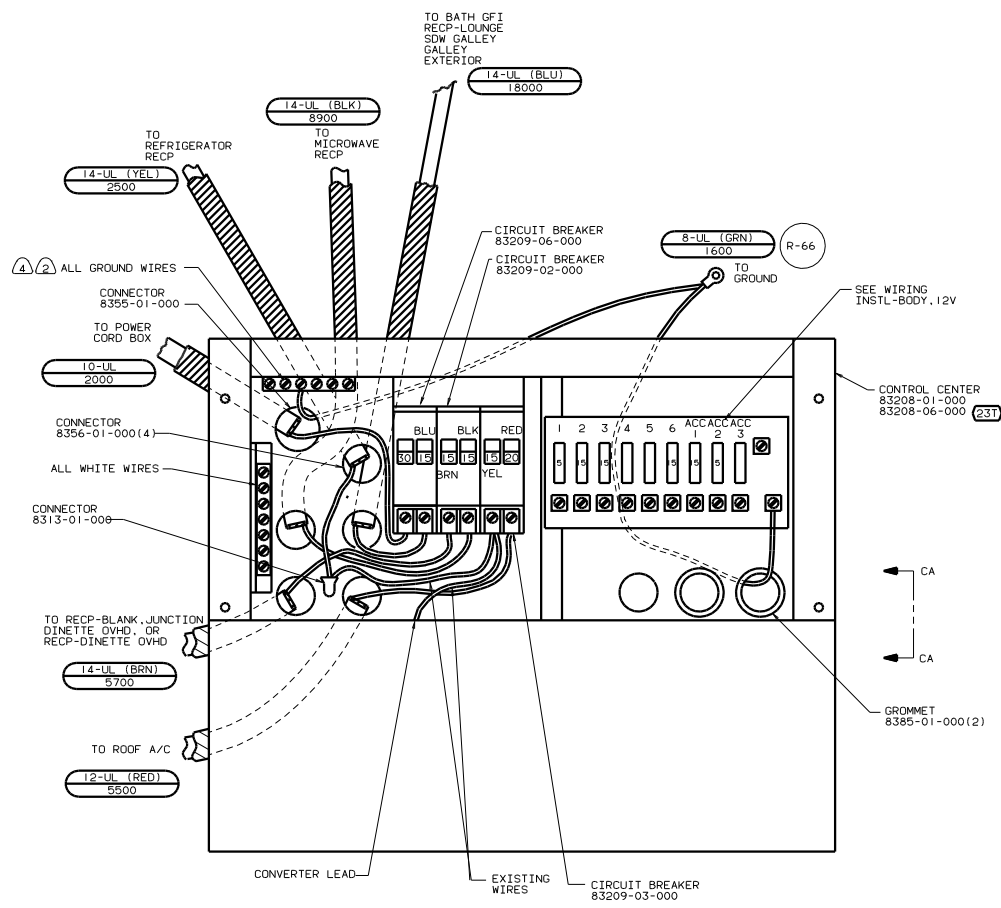
- NOTES:
- 5. NOT USED WITH 68F 73H 78A
  - 4. SEE ENTERTAINMENT CENTER COMPL FOR ADDITIONAL INFORMATION.
  - 3. NOT USED WITH 76C
  - 2. SEE WIRING INSTL-SIDE TV FOR ADDITIONAL INFORMATION.
  - 1. WIRE ROUTED IN ROOF.

- 78A TV-13" W/VCP-12V
- 76C ENTERTAINMNT CTR/EXT CASSETTE
- 49X BED-QUEEN - BACKWALL
- 12D ELECTRICAL SYSTEM 30 AMP
- 1B1 CODES/STANDARDS USA
- 73H TV-19"/VCR/VIDEO SEL/SGL BNK
- 68F TV-19"/VIDEO SELECT/SGL BNK

FOR ELECTRICAL TORQUE SPECIFICATIONS SEE DWG NO. 128783-01-000

FOR ELECTRICAL CALLOUTS SEE DWG NO. 121339-01-000

00 324V RIGHT SIDE  
 WIRING INSTL-BODY 110V (R30US)  
 SHEET 2 OF 7



- (4) WIRES W/O TERMINALS TO BE STRIPPED 10 AND SOLDER DIPPED.
  - (3) FASTEN ALL WIRES TO SUPPORT, USE ONE SCREW PER CLAMP.
  - (2) ALL GROUND WIRES TO BE COVERED WITH TUBING 8041-02-000.
1. ALL CABLES SHALL BE COVERED WITH CONDUIT-CONVOLUTE, SLIT 41953-01-000, UNLESS OTHERWISE SPECIFIED, 600 LESS THAN CABLE LENGTH
- NOTES:

FOR ELECTRICAL TORQUE SPECIFICATIONS SEE DWG NO. 128783-01-000



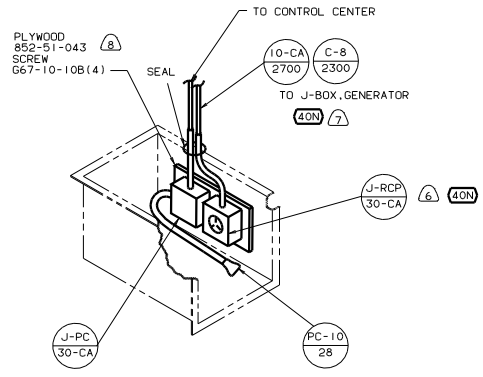
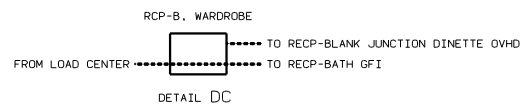
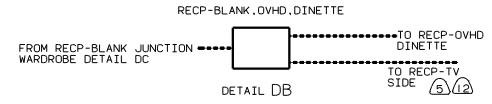
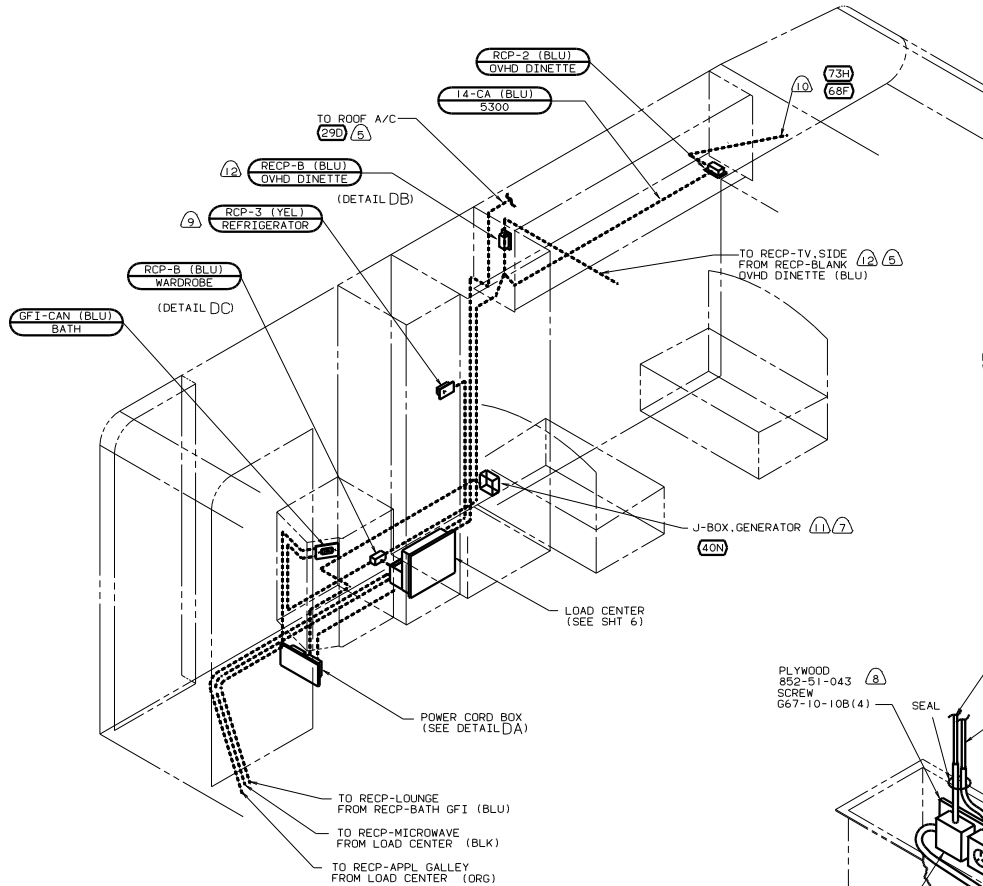
FOR ELECTRICAL CALLOUTS SEE DWG NO. 121339-01-000

- (23T) HEATED HOLDING TANKS-PACKAGE
- (29D) A/C ROOF-ONE 13,500 BTU
- (12B) ELECTRICAL SYSTEM 30 AMP
- (1B1) CODES/STANDARDS USA

00 324V LOAD CENTER

WIRING INSTL-BODY, 110V(CC300S)

132839



- (12) NOT USED WITH (68F) (73A) (78A)
- (1) JUNCTION BOX TO BE MOUNTED AS HIGH AS PRACTICALLY POSSIBLE WITHIN DINETTE COMPARTMENT, ON REFRIGERATOR WALL.
- (10) WITH FRONT ENTERTAINMENT CENTER, SEE WIRING INSTL-TV/VCR, FRONT FOR ADDITIONAL INFORMATION.
- (9) LOCATE REFRIGERATOR RECEPTACLE ON TIEDOWN BRACKET.
- (8) PAINT ALL EXPOSED SURFACES BLACK WITH 106112-01-000.
- (7) SEE GENERATOR INSTL-FOR ADDITIONAL INFORMATION.
- (6) INSTALL RECP WITH GROUND TOWARD OUTBOARD SIDE OF VEHICLE.
- (5) ROUTE WIRE THRU ROOF.
- (4) ROUTE WIRE THRU FLOOR.

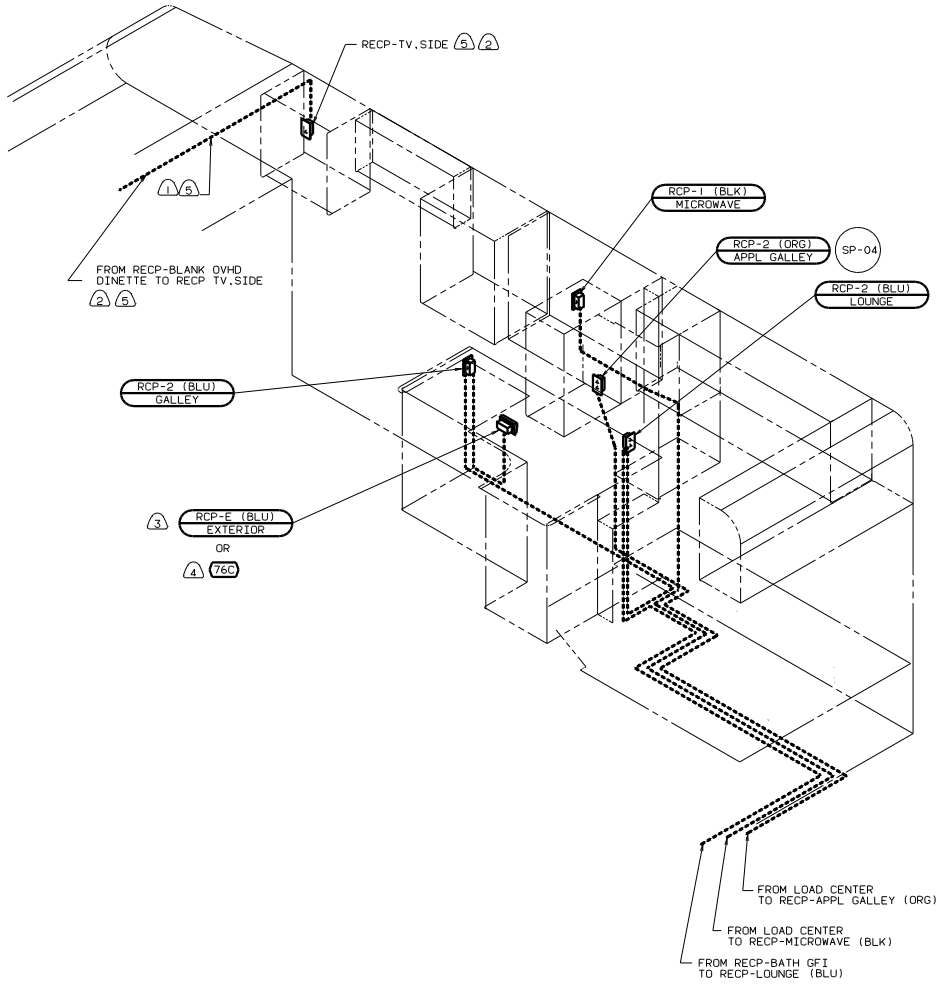
3. ALL GROUND WIRES TO BE COVERED WITH TUBING 8041-02-000.
2. ALL 110V WIRES ARE TO BE CLAMPED WITH CLAMP 10495-01-000 OR CLIP 80734-01-000 EVERY 1200. USE SCREW 667-10-12B.
1. ALL WIRES TO BE CLAMPED WITH CLAM 10495-01-000 OR CLIP 80734-01-000 EVERY 1200. USE SCREW 667-10-12B UNLESS OTHERWISE SPECIFIED.

- (40N) GEN-4.0KW-DNAN-GAS-MICROLITE
- (78A) TV-13" W/VCP-12V
- (29D) A/C ROOF-ONE 13,500 BTU
- (265) CODES/STANDARDS-CSA/CMVSS
- (12D) ELECTRICAL SYSTEM 30 AMP
- (73A) TV-19"/VCR/VIDEO SEL/SGL BUNK
- (68F) TV-19"/VIDEO SELECT/SGL BUNK

00 324V LEFT SIDE  
 WIRING INSTL-BODY 110V(130CA)  
 SHEET 4 OF 7  
 132839

FOR ELECTRICAL TORQUE SPECIFICATIONS SEE DWG NO. 128783-01-000

FOR ELECTRICAL CALLOUTS SEE DWG NO. 121339-01-000



- NOTES:
- ⑤ NOT USED WITH 68F 73H 78A
  - ④ SEE ENTERTAINMENT CENTER COMPL FOR ADDITIONAL INFORMATION.
  - ③ NOT USED WITH 76C
  - ② SEE WIRING INSTL-SIDE TV FOR ADDITIONAL INFORMATION.
  - ① WIRE ROUTED IN ROOF.

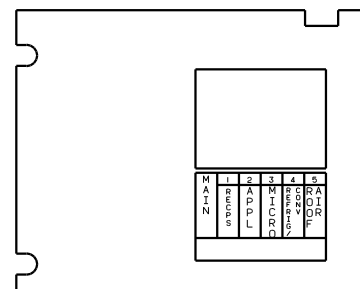
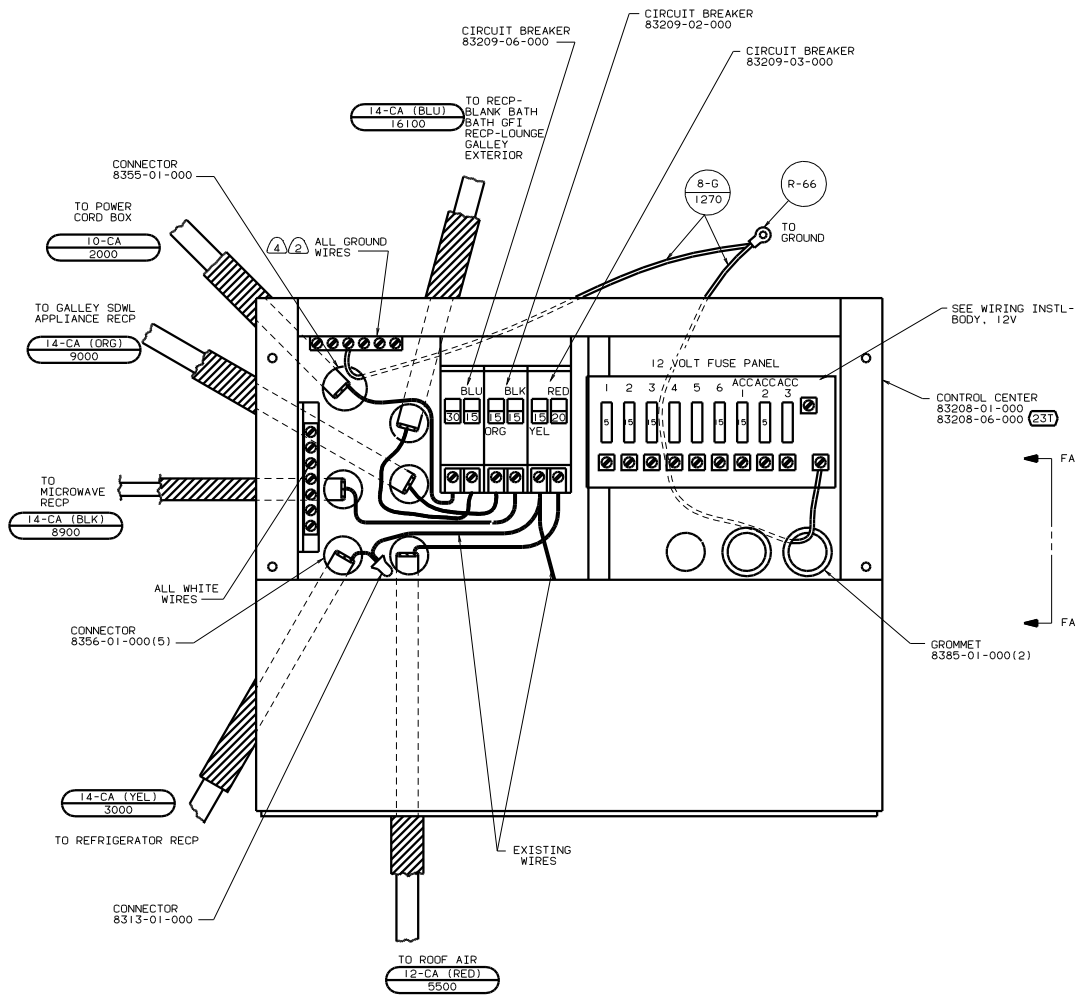
- 78A TV-13" W/VCP-12V
- 76C ENTERTAINMNT CTR/EXT CASSETTE
- 26B CODES/STANDARDS-CSA/CMVSS
- 12D ELECTRICAL SYSTEM 30 AMP
- 73H TV-19"/VCR/VIDEO SEL/SGL BNK
- 68F TV-19"/VIDEO SELECT/SGL BUNK

FOR ELECTRICAL TORQUE SPECIFICATIONS SEE DWG NO. 128783-01-000

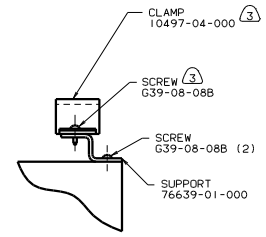
FOR ELECTRICAL CALLOUTS SEE DWG NO. 121339-01-000



00 324V RIGHT SIDE  
 WIRING INSTL-BODY, L10V R30CA  
 SHEET 5 OF 7



PANEL-COVER



VIEW FB-FB

- ④ WIRES W/O TERMINALS TO BE STRIPPED 10 AND SOLDER DIPPED.
- ③ FASTEN ALL WIRES TO SUPPORT, USE ONE SCREW PER CLAMP.
- ② ALL GROUND WIRES TO BE COVERED WITH TUBING 8041-02-000.

1. ALL CABLES SHALL BE COVERED WITH CONDUIT-CONVOLUTE SLIT 41953-01-000, UNLESS OTHERWISE SPECIFIED. 600 LESS THAN CABLE LENGTH.


NOTES:

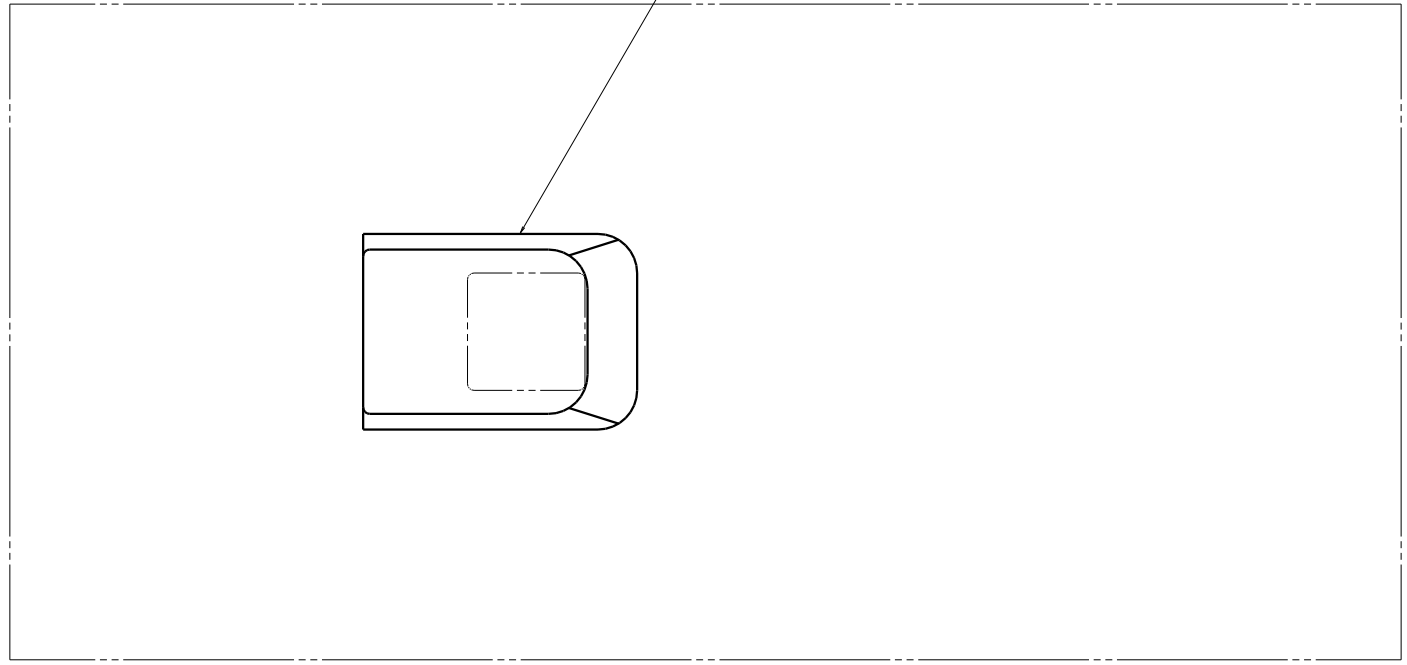
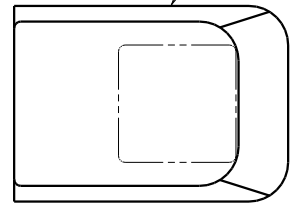
- ②31 HEATED HOLDING TANKS-PACKAGE
- ②9D A/C ROOF-ONE 13,500 BTU
- ②65 CODES/STANDARDS-CSA/CMVSS
- ①20 ELECTRICAL SYSTEM 30 AMP


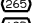


FOR ELECTRICAL TORQUE SPECIFICATIONS SEE DWG NO. 128783-01-000

FOR ELECTRICAL CALLOUTS SEE DWG NO. 121339-01-000

00 324V LOAD CENTER  
 WIRING INSTL-BODY, 110V(CC30CA)  
 SHEET 6 OF 7


AIR CONDITIONER   
131185-01-CHT  
CEILING ASM-A/C DUCTED  
131184-03-CHT



-  A/C ROOF-ONE 13,500 BTU
-  CODES/STANDARDS-CSA/CMVSS
-  ELECTRICAL SYSTEM 30 AMP
-  CODES/STANDARDS USA

00 324V A/C

 SEE 12 VOLT DRAWING FOR MORE INFORMATION.

NOTES:

TITLE: WIRING INSTL-BODY, 110V (EXT)	
NO. OF SHEETS	TOTAL SHEETS
7 of 7	7
PROJECT NO: 132839	