



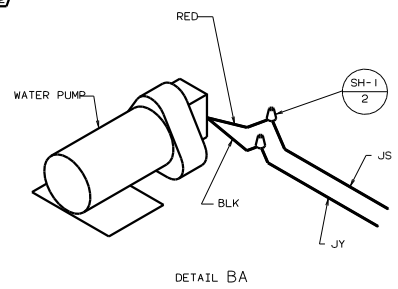
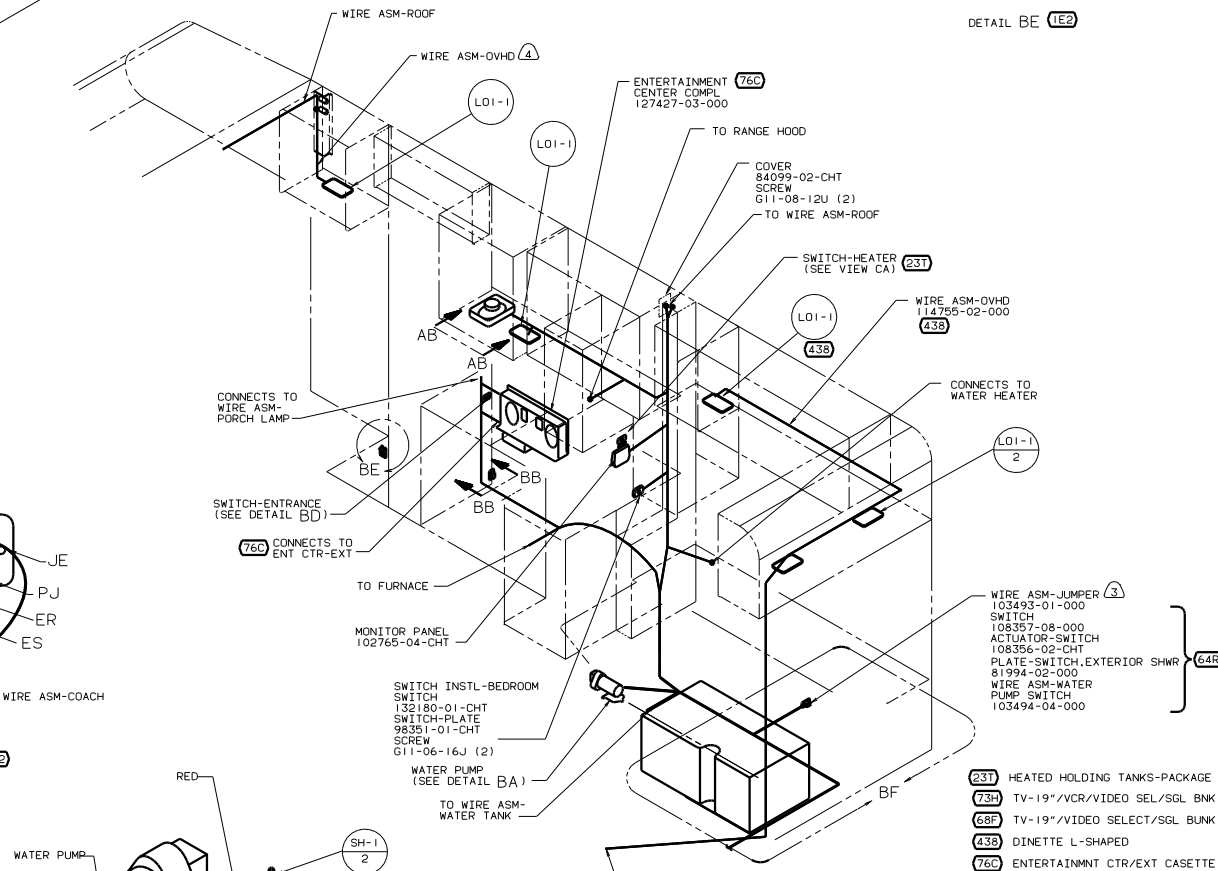
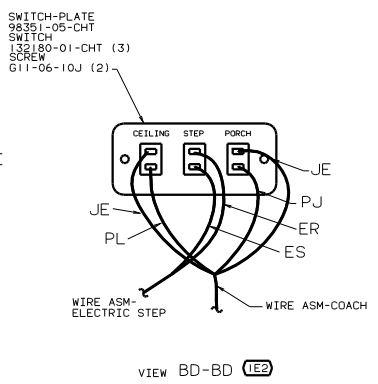
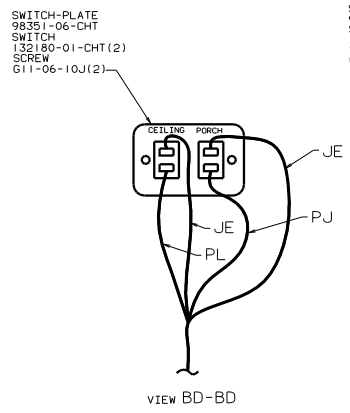
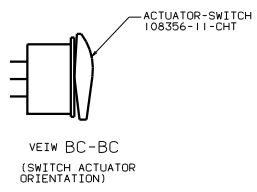
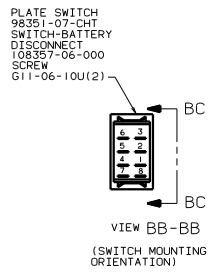
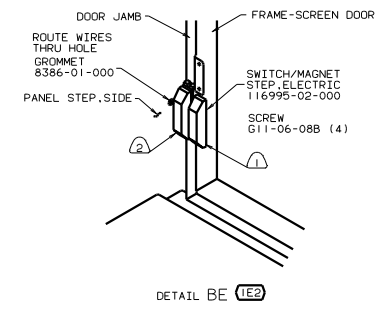
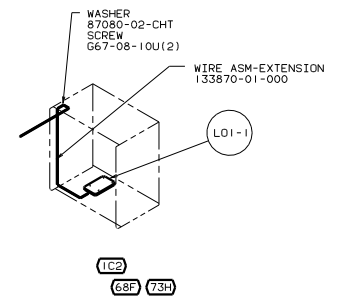
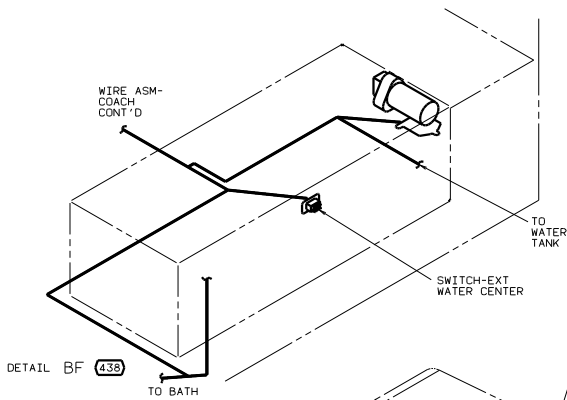
DANGER

Danger of electrical shock, burns or death. Always remove all power sources before attempting any repair, service or diagnostic work. Power can be present from shore power, generator, inverter or battery. All power sources must be disabled and secured before performing any service.



CAUTION

If you lack the skills, tools or equipment to perform diagnostic or repair work leave such work to an authorized Winnebago Industries dealer or other qualified shop.

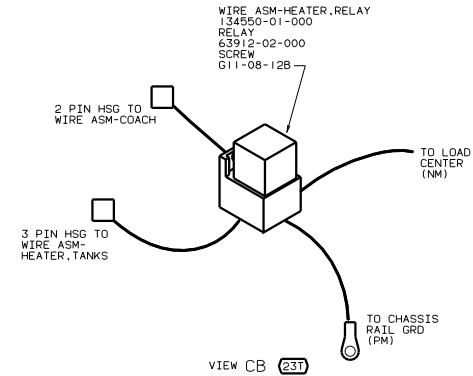
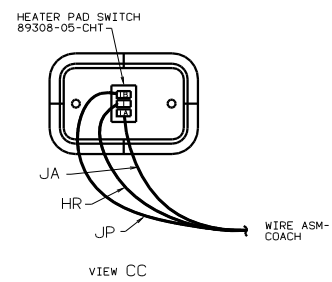
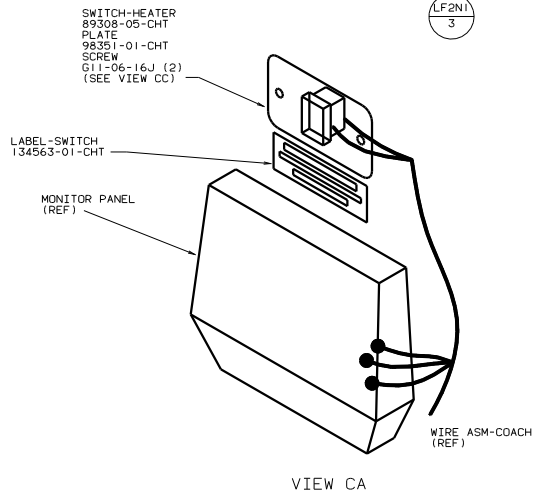
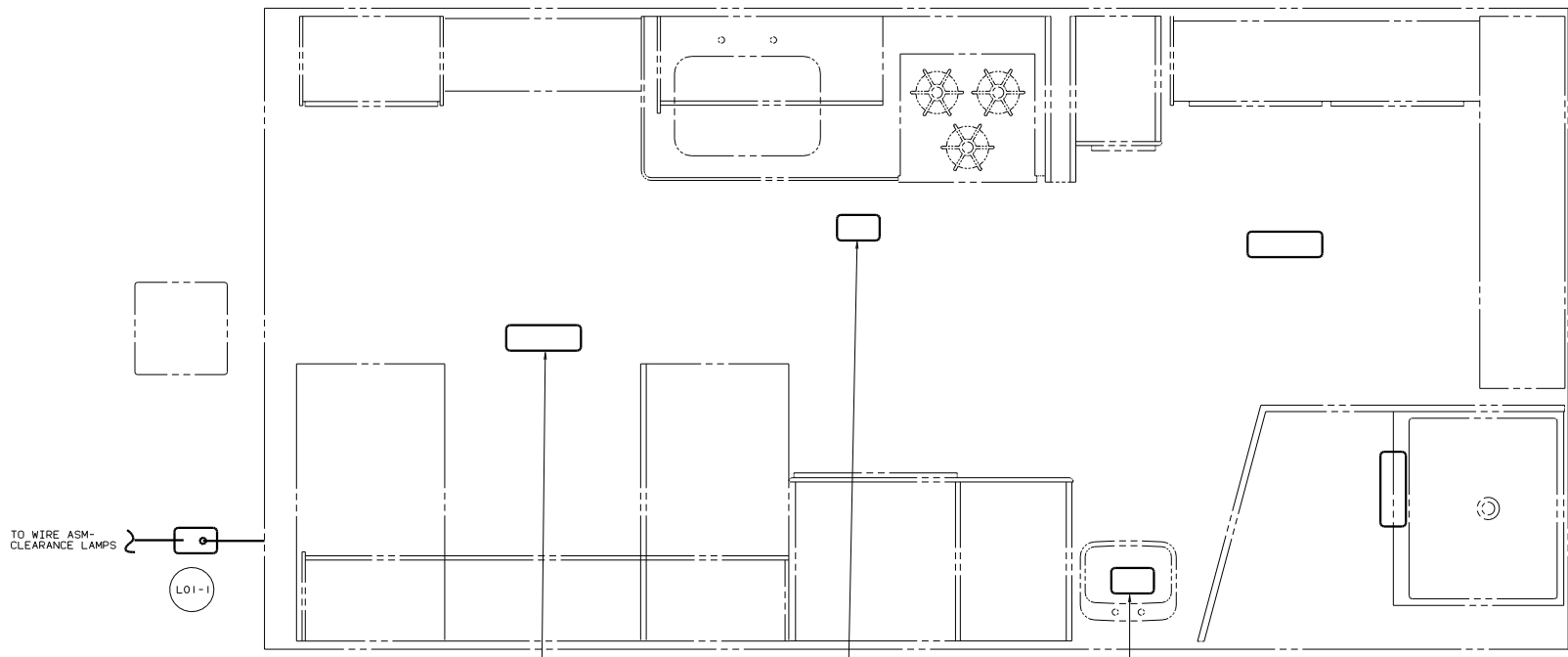


- (231) HEATED HOLDING TANKS-PACKAGE
- (73H) TV-19"/VCR/VIDEO SEL/SGL BNK
- (68F) TV-19"/VIDEO SELECT/SGL BNK
- (438) DINETTE L-SHAPED
- (76C) ENTERTAINMNT CTR/EXT CASSETTE
- (64R) EXTERIOR WASH STATION
- (49X) BED-QUEEN - BACKWALL
- (265) CODES/STANDARDS-CSA/CMVSS
- (IE2) ENTRANCE STEP-ELEC.
- (1C2) CABT-SIDE-CAB OVHD W/O TV ST
- (1B1) CODES/STANDARDS USA

- (4) SEE CABT ASM-OVHD FOR ADDITIONAL INFORMATION.
- (3) NOT USED WITH (64R)
- (2) MOUNT SWITCH AND SPACER TO BLOCK ON JAMB. ADJUST HEIGHT TO MATCH MAGNET.
- (1) MOUNT MAGNET USING PILOT HOLES IN SCREEN DOOR FRAME. MOUNT WITH MAGNET TOWARD SWITCH.

FOR ELECTRICAL CALLOUTS SEE DWG NO. 121339-01-000

00 324V
 WIRING INSTL-BODY, 12V(R)
 SHEET 2 OF 5
 132838



- (23T) HEATED HOLDING TANKS-PACKAGE
- (48M) LIGHTS-INCANDESCENT
- (265) CODES/STANDARDS-CSA/CMVSS
- (1B1) CODES/STANDARDS USA

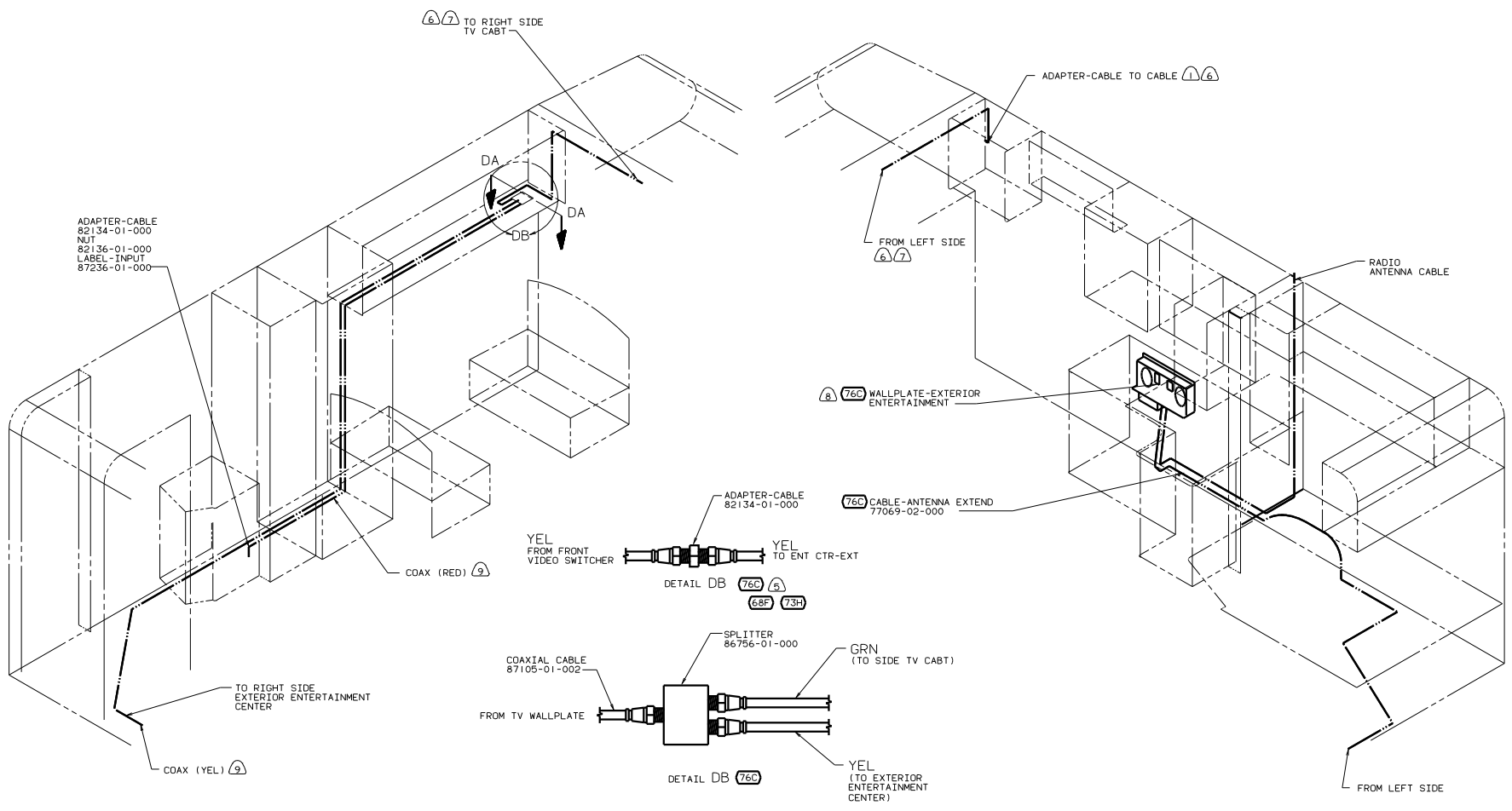
3 SEE DRAINAGE SYSTEM INSTL. FOR HEATER PAD PART NUMBERS AND LOCATION.

2 CONNECTION FOR CLEARANCE LAMPS MADE UNDER BUNK LAMPS.

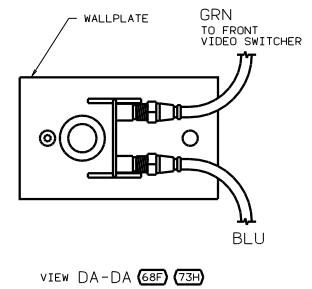
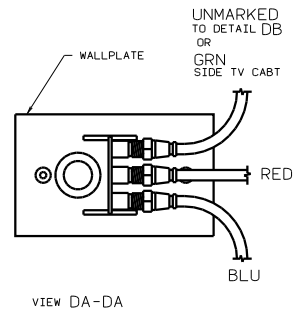
1. SEE ROOF ASM FOR ADDITIONAL INFORMATION.

FOR ELECTRICAL CALLOUTS SEE DWG NO. 121339-01-000

00 324V
WIRING INSTL-BODY, L2V(LAMPS)
SHEET 3 OF 5

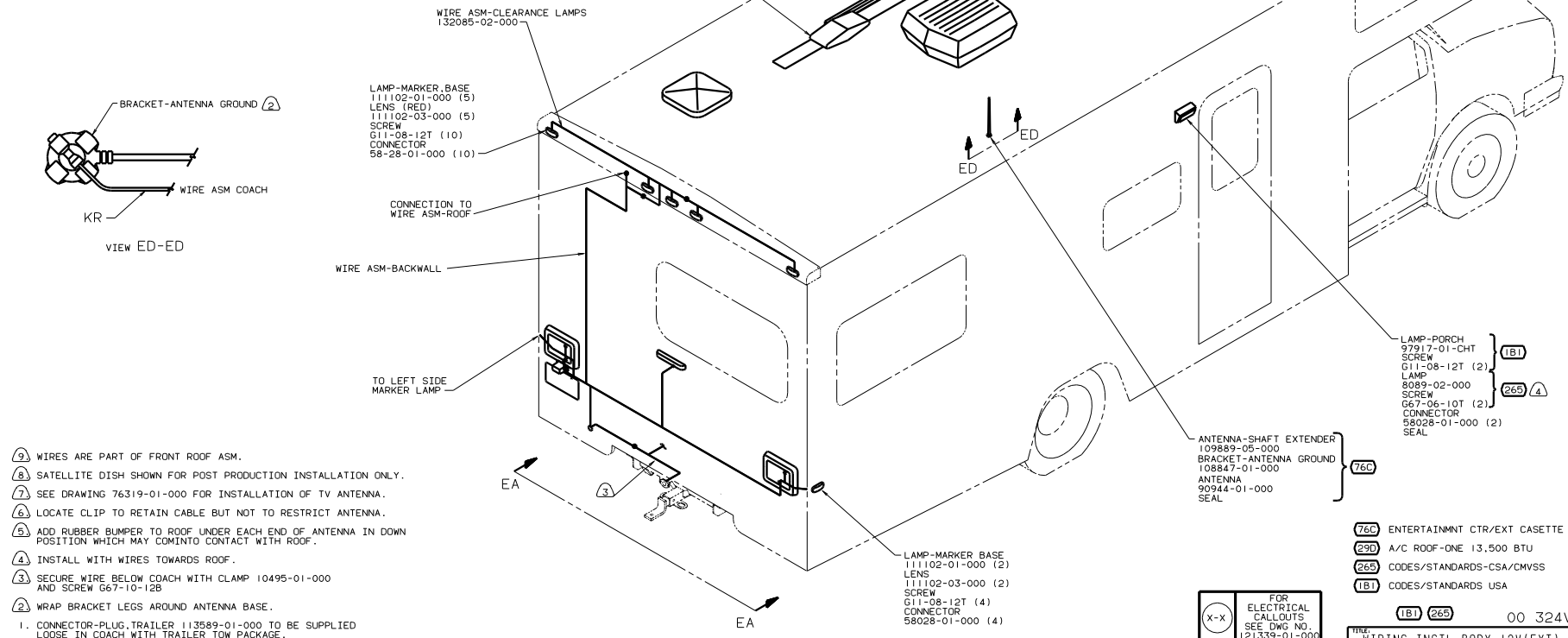
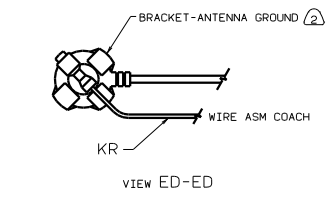
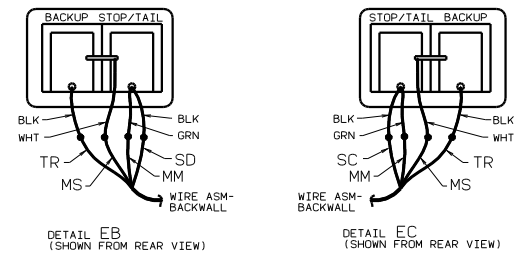
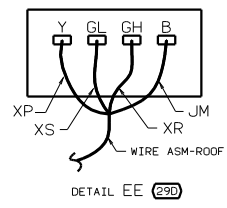
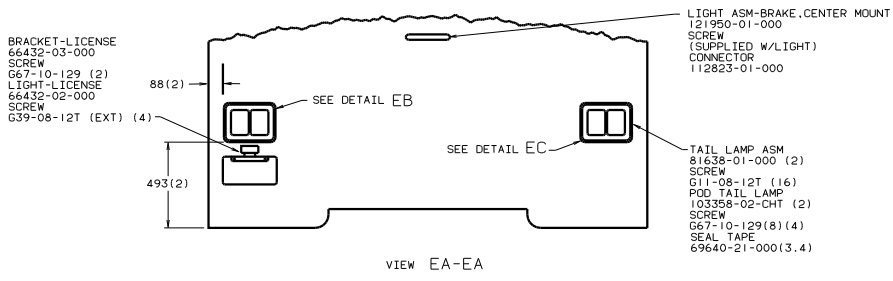


- 9 INTEGRAL PART OF WIRE ASM-COACH.
 8 SEE ENTERTAINMENT CENTER-COMPL FOR ADDITIONAL INFORMATION.
 7 CABLE ROUTED IN ROOF.
 6 NOT USED WITH 68F OR 73H
 5 WITH FRONT ENTERTAINMENT CENTER, SEE WIRING INSTL-TV/VCR,FRONT FOR ADDITIONAL INFORMATION.
 4 LOCATE TO RETAIN CABLE BUT NOT TO RESTRICT ANTENNA.
 3 SEE DRAWING 76319-01-000 FOR INSTALLATION OF TV ANTENNA.
 2 ADD RUBBER BUMPER TO ROOF UNDER EACH END OF ANTENNA IN DOWN POSITION WHICH MAY COME INTO CONTACT WITH ROOF.
 1 WITH SIDE TV, SEE WIRING INSTL-TV/VCR SIDE FOR ADDITIONAL INFORMATION.



- 76C ENTERTAINMENT CTR/EXT CASSETTE
 73H TV-19"/VCR/VIDEO SEL/SSL BNK
 265 CODES/STANDARDS-CSA/CMVSS
 68F TV-19"/VIDEO SELECT/SSL BUNK
 193 TV ANTENNA
 181 CODES/STANDARDS USA
 181 193 265 00 324V

FOR ELECTRICAL CALLOUTS SEE DWG NO. 121339-01-000



- (9) WIRES ARE PART OF FRONT ROOF ASM.
 - (8) SATELLITE DISH SHOWN FOR POST PRODUCTION INSTALLATION ONLY.
 - (7) SEE DRAWING 76319-01-000 FOR INSTALLATION OF TV ANTENNA.
 - (6) LOCATE CLIP TO RETAIN CABLE BUT NOT TO RESTRICT ANTENNA.
 - (5) ADD RUBBER BUMPER TO ROOF UNDER EACH END OF ANTENNA IN DOWN POSITION WHICH MAY COMINTO CONTACT WITH ROOF.
 - (4) INSTALL WITH WIRES TOWARDS ROOF.
 - (3) SECURE WIRE BELOW COACH WITH CLAMP 10495-01-000 AND SCREW G67-10-12B
 - (2) WRAP BRACKET LEGS AROUND ANTENNA BASE.
1. CONNECTOR-PLUG, TRAILER 113589-01-000 TO BE SUPPLIED LOOSE IN COACH WITH TRAILER TOW PACKAGE.

(X-X) FOR ELECTRICAL CALLOUTS SEE DWG NO. 121339-01-000

- (76C) ENTERTAINMNT CTR/EXT CASSETE
- (29D) A/C ROOF-ONE 13,500 BTU
- (265) CODES/STANDARDS-CSA/CMVSS
- (1B1) CODES/STANDARDS USA

(1B1) (265) 00 324V

WIRING INSTL - BODY, 12V (EXT)

132838