



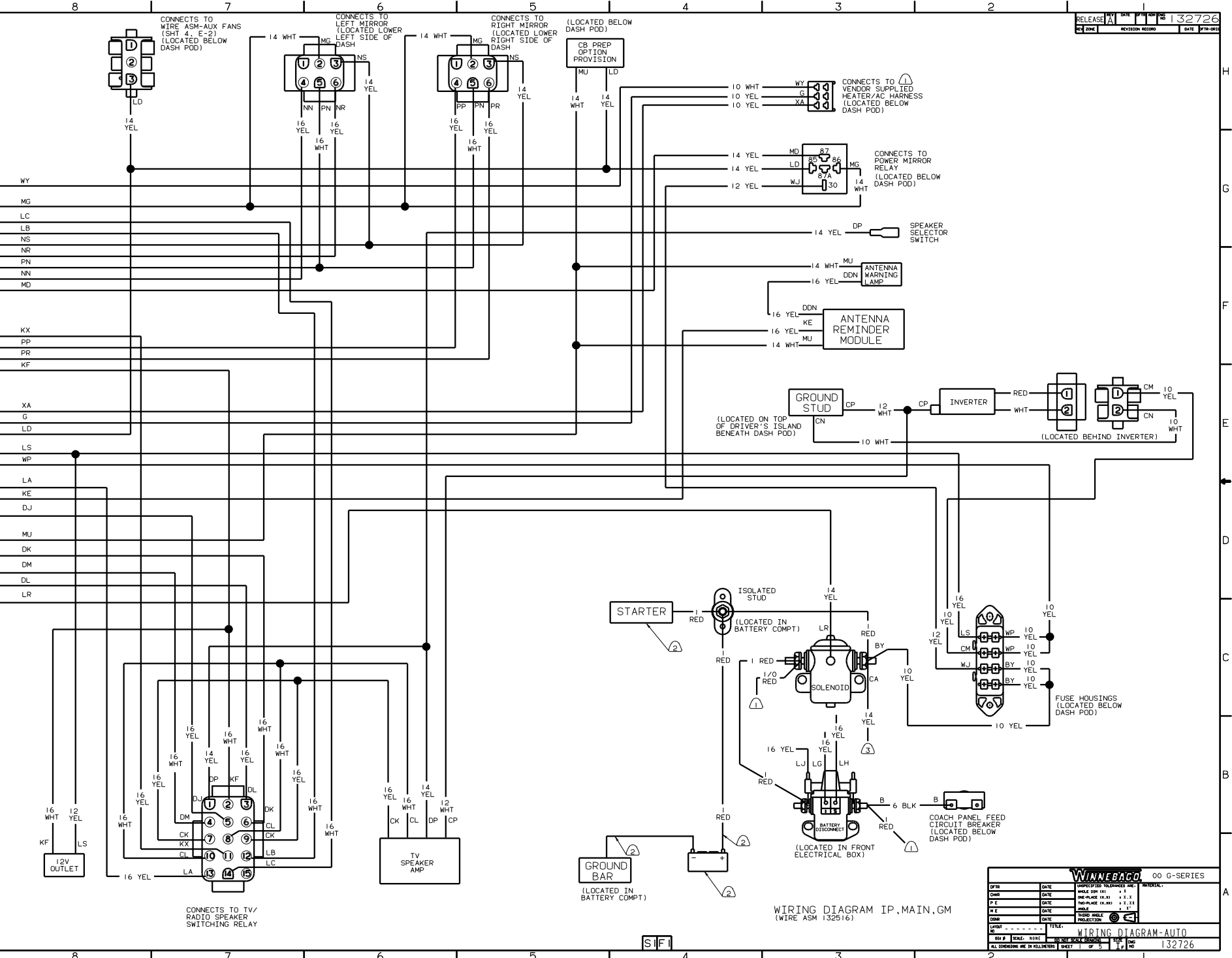
DANGER

Danger of electrical shock, burns or death. Always remove all power sources before attempting any repair, service or diagnostic work. Power can be present from shore power, generator, inverter or battery. All power sources must be disabled and secured before performing any service.



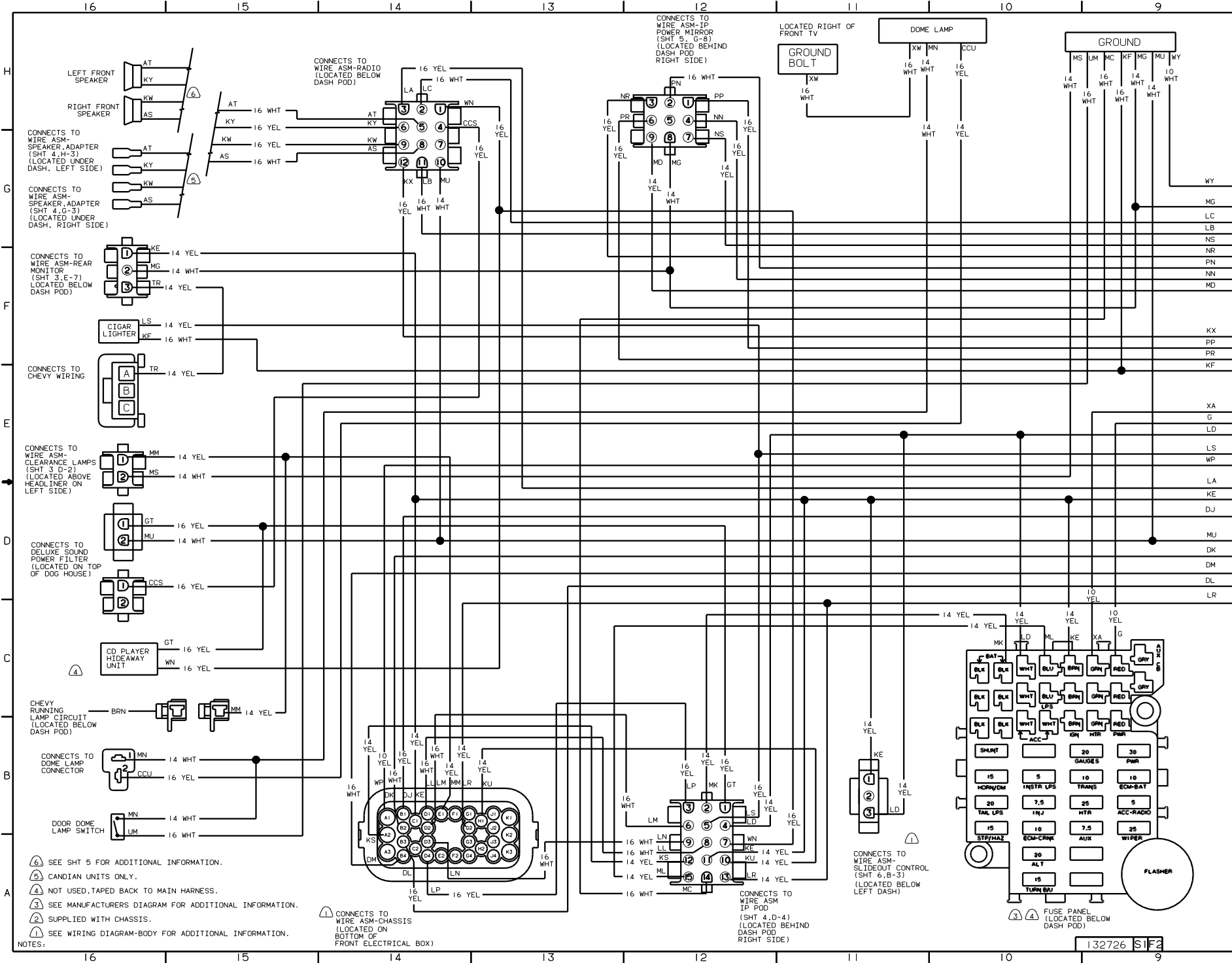
CAUTION

If you lack the skills, tools or equipment to perform diagnostic or repair work leave such work to an authorized Winnebago Industries dealer or other qualified shop.



WINNEBAGO 00 G-SERIES		
C/P/R	DATE	UNAPPROVED REVISIONS ARE PROHIBITED
C/M/R	DATE	SINGLE DOT (.) = 1/8"
P/E	DATE	NO PLACE (N.P.) = N.E.C.
P/E	DATE	NO PLACE (N.P.) = N.E.C.
P/E	DATE	NO PLACE (N.P.) = N.E.C.
COMP	DATE	ISSUED ANGLE PROTECTORS

LAYOUT ----- TITLE: WIRING DIAGRAM-AUTO
REV # SCALE NONE TO THE SCALE PROVIDED FOR THE ALL DIMENSIONS ARE IN MILLIMETERS SHEET 1 OF 5 132726



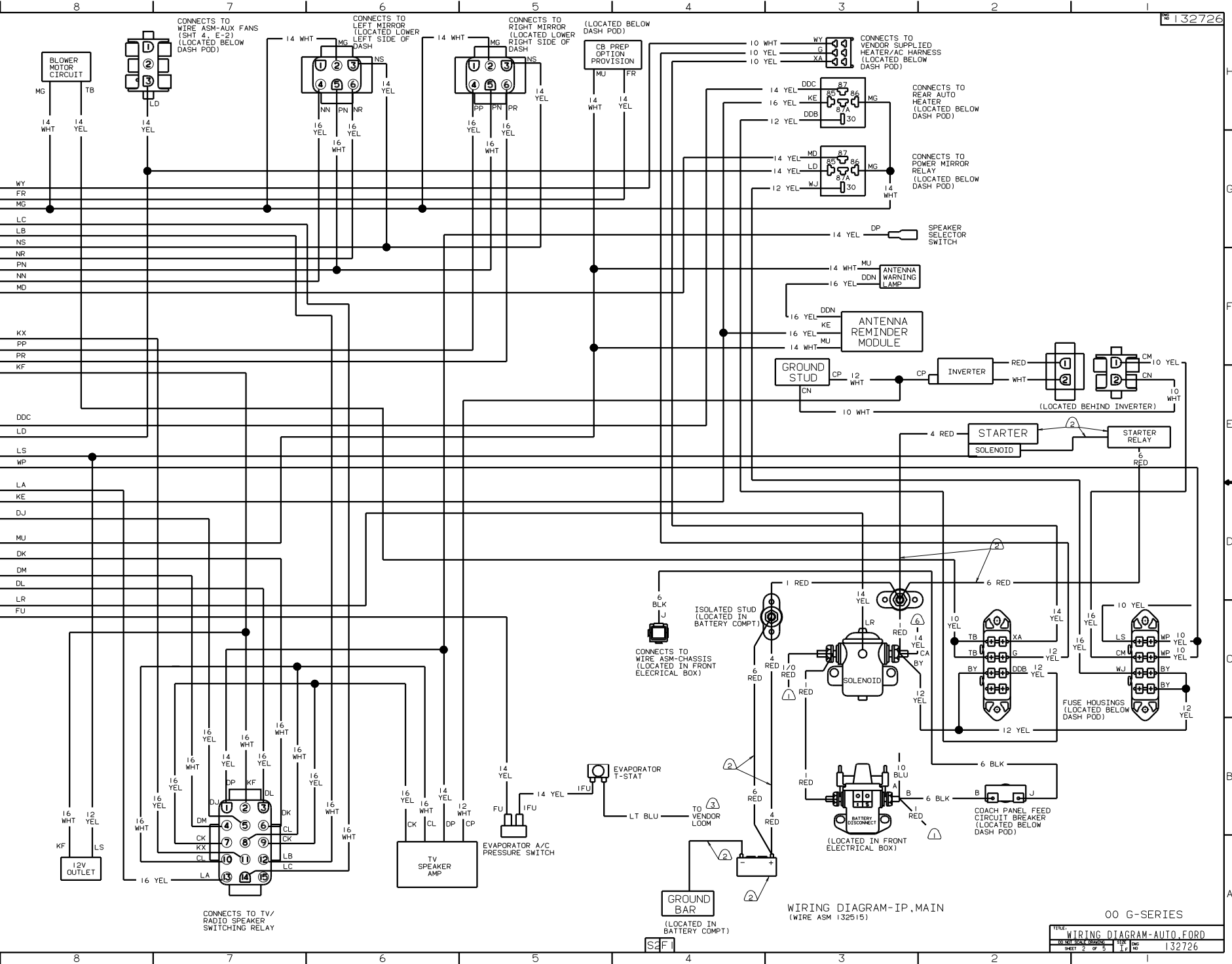
- ⑥ SEE SHT 5 FOR ADDITIONAL INFORMATION.
- ⑤ CANDIAN UNITS ONLY.
- ④ NOT USED, TAPED BACK TO MAIN HARNESS.
- ③ SEE MANUFACTURERS DIAGRAM FOR ADDITIONAL INFORMATION.
- ② SUPPLIED WITH CHASSIS.
- ① SEE WIRING DIAGRAM-BODY FOR ADDITIONAL INFORMATION.

① CONNECTS TO WIRE ASM-CHASSIS (LOCATED ON BOTTOM OF FRONT ELECTRICAL BOX)

CONNECTS TO WIRE ASM-IP POWER MIRROR (SHT 5, G-8) (LOCATED BEHIND DASH POD RIGHT SIDE)

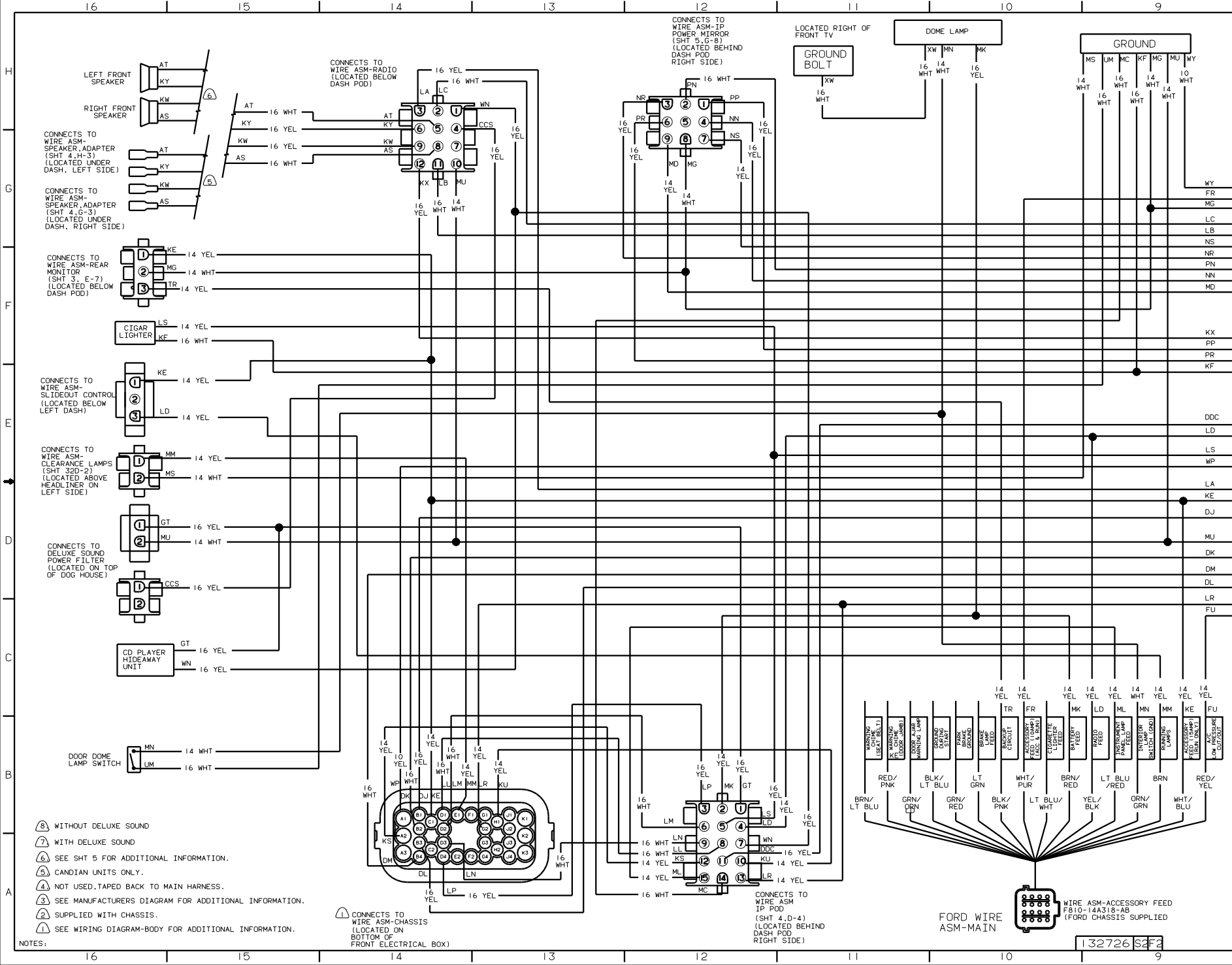
CONNECTS TO WIRE ASM-SLIDEOUT CONTROL (SHT 6, B-3) (LOCATED BELOW LEFT DASH)

③ ④ FUSE PANEL (LOCATED BELOW DASH POD)



WIRING DIAGRAM-IP, MAIN (WIRE ASM 132515)

00 G-SERIES



CONNECTS TO WIRE ASM-SPEAKER, ADAPTER (SHT 4, H-3) (LOCATED UNDER DASH, LEFT SIDE)

CONNECTS TO WIRE ASM-SPEAKER, ADAPTER (SHT 4, G-3) (LOCATED UNDER DASH, RIGHT SIDE)

CONNECTS TO WIRE ASM-REAR MONITOR (SHT 3, E-7) (LOCATED BELOW DASH POD)

CONNECTS TO WIRE ASM-SLIDEOUT CONTROL (LOCATED BELOW LEFT DASH)

CONNECTS TO WIRE ASM-CLEARANCE LAMPS (SHT 320-2) (LOCATED ABOVE HEADLINER ON LEFT SIDE)

CONNECTS TO DELUXE SOUND POWER FILTER (LOCATED ON TOP OF DOG HOUSE)

CD PLAYER HIDEAWAY UNIT

DOOR DOME LAMP SWITCH

CONNECTS TO WIRE ASM-RADIO (LOCATED BEHIND DASH POD)

CONNECTS TO WIRE ASM-IP POWER MIRROR (SHT 5, G-8) (LOCATED BEHIND DASH POD RIGHT SIDE)

LOCATED RIGHT OF FRONT TV

DOME LAMP

GROUND

- NOTES:
- ⓑ WITHOUT DELUXE SOUND
 - ⓓ WITH DELUXE SOUND
 - Ⓐ SEE SHT 5 FOR ADDITIONAL INFORMATION.
 - ⓐ CANDIAN UNITS ONLY.
 - Ⓓ NOT USED, TAPED BACK TO MAIN HARNESS.
 - Ⓒ SEE MANUFACTURERS DIAGRAM FOR ADDITIONAL INFORMATION.
 - Ⓗ SUPPLIED WITH CHASSIS.
 - Ⓘ SEE WIRING DIAGRAM-BODY FOR ADDITIONAL INFORMATION.

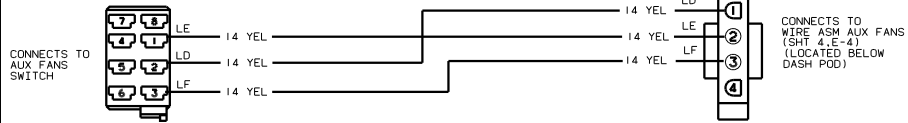
CONNECTS TO WIRE ASM-CHASSIS (LOCATED ON BOTTOM OF FRONT ELECTRICAL BOX)

CONNECTS TO WIRE ASM-IP POD (SHT 4, D-4) (LOCATED BEHIND DASH POD RIGHT SIDE)

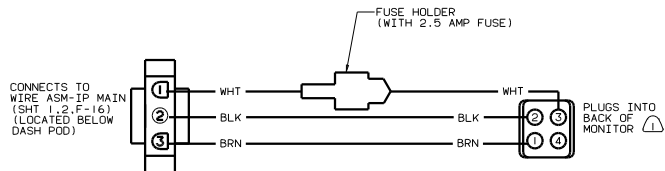
FORD WIRE ASM-MAIN

WIRE ASM-ACCESSORY FEED F810-14A318-AB (FORD CHASSIS SUPPLIED)

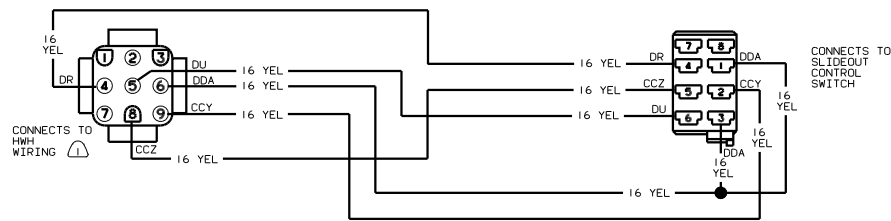
132726 S2F2



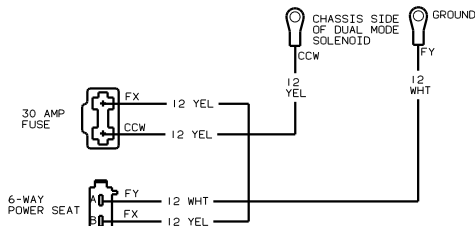
WIRING DIAGRAM IP, AUX FANS
(WIRE ASM 132669)



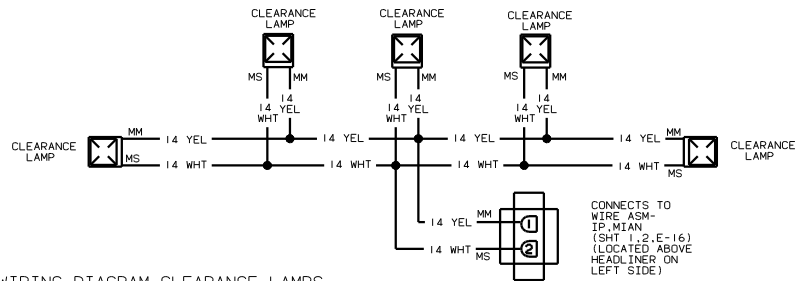
WIRING DIAGRAM-REAR MONITOR, UPPER
(WITH REAR MONITOR)
(WIRE ASM 96717-03)



WIRING DIAGRAM SLIDEOUT CONTROL
(WIRE ASM 131386)

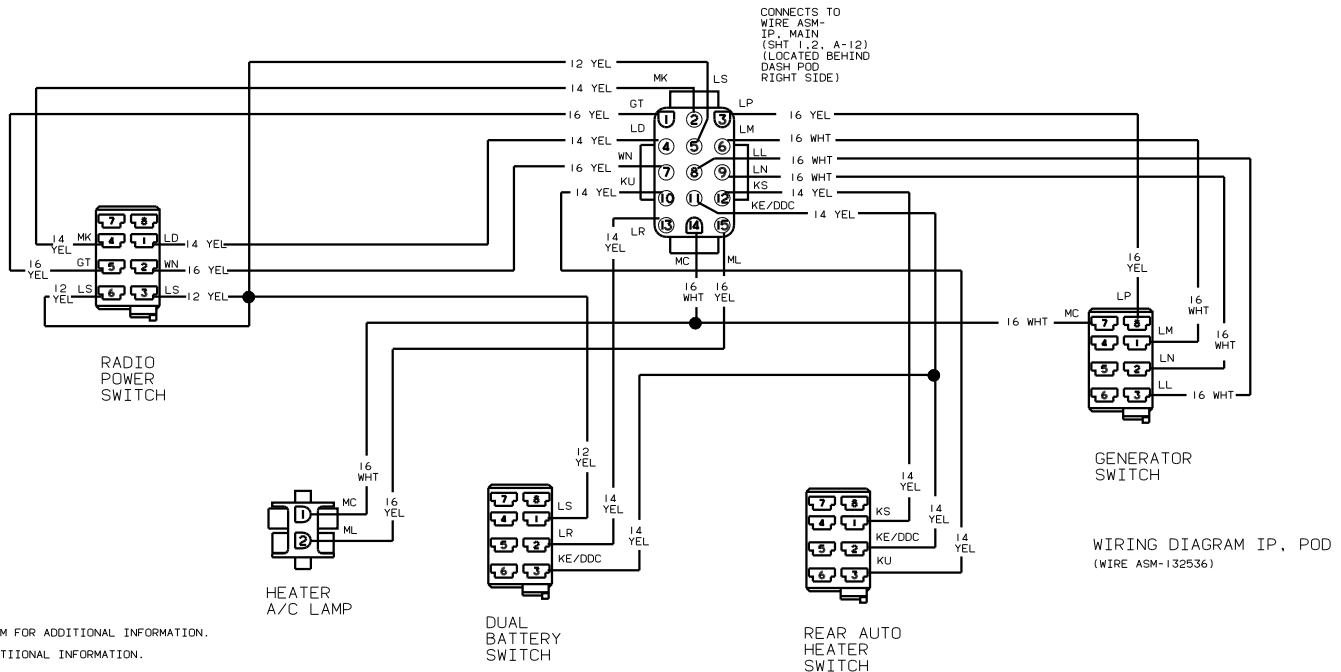
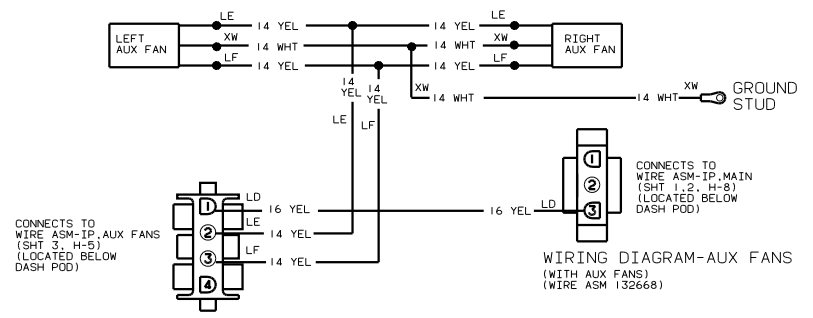
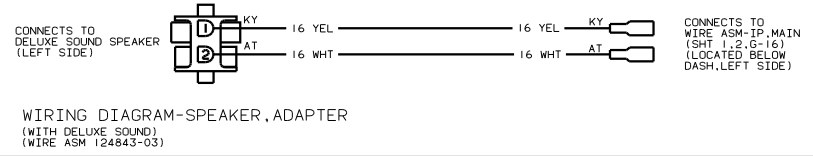
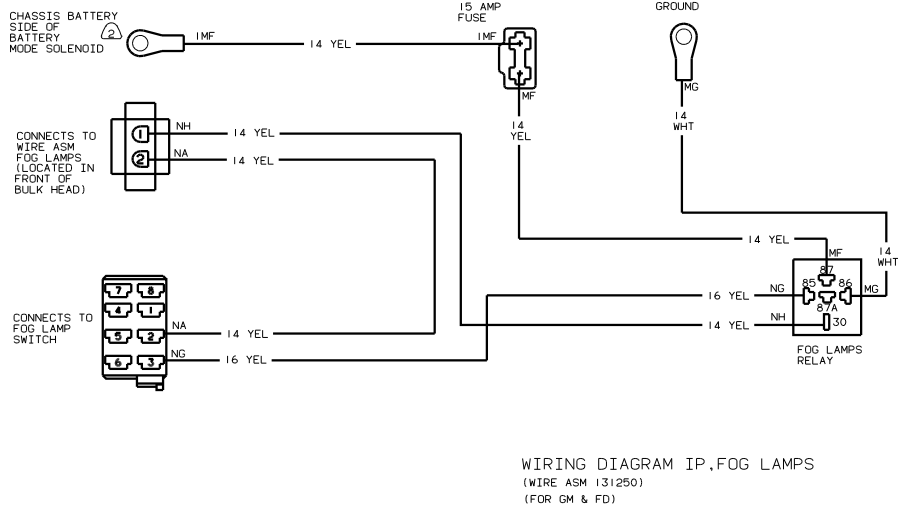


WIRING DIAGRAM POWER DRIVER SEAT
(WIRE ASM 131279)



WIRING DIAGRAM-CLEARANCE LAMPS
(WIRE ASM 126486)

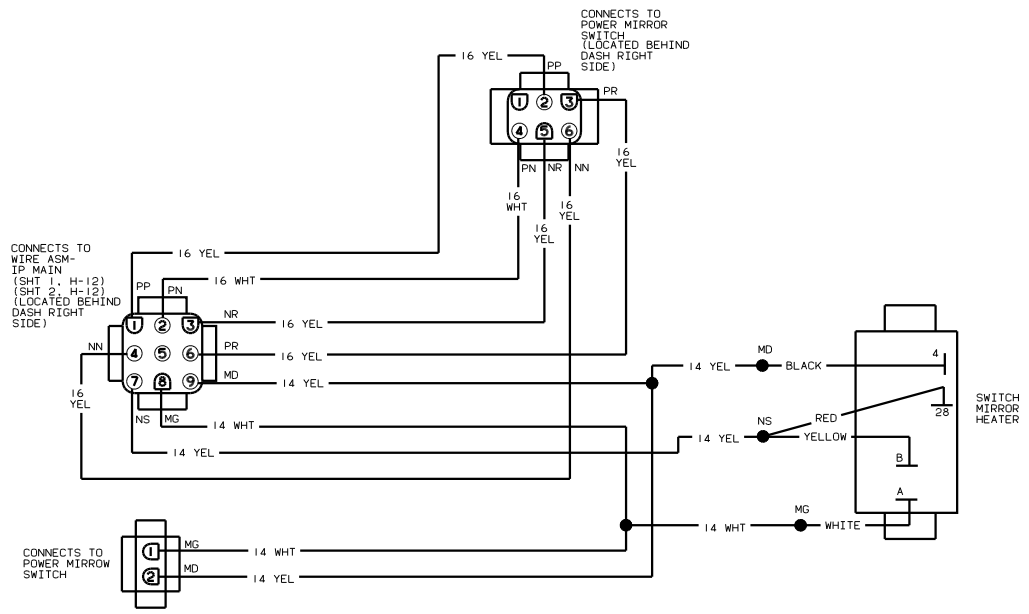
SEE MANUFACTURER'S DIAGRAM FOR ADDITIONAL INFORMATION.



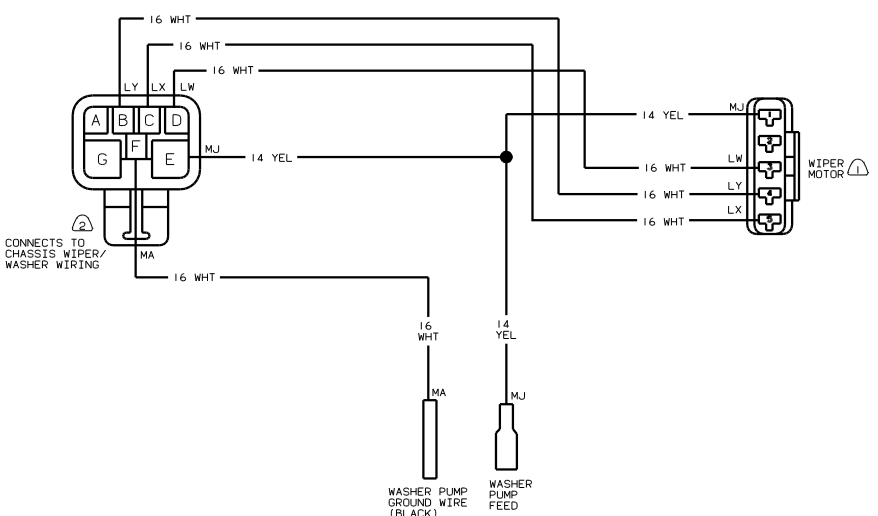
NOTES:

(2) SEE MANUFACTURER'S DIAGRAM FOR ADDITIONAL INFORMATION.

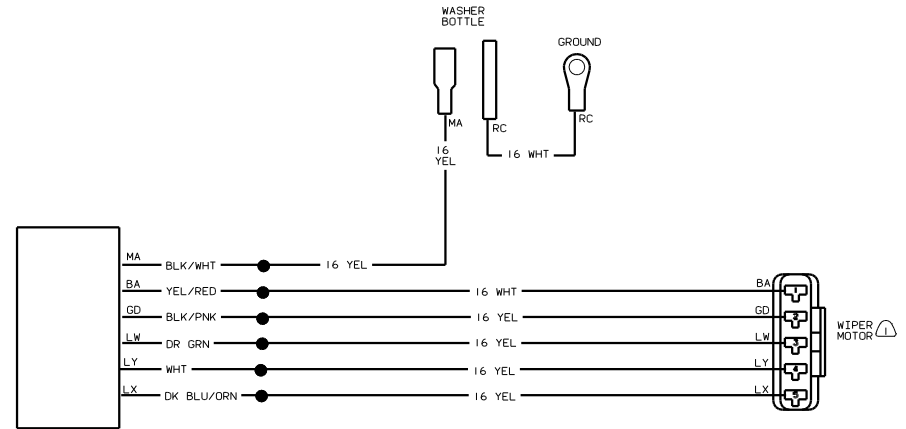
(1) SEE SHT'S 8, 9, 10 FOR ADDITIONAL INFORMATION.



WIRING DIAGRAM IP POWER MIRROR
(WIRE ASM 129436-03)



WIRING DIAGRAM WIPER/WASHER
(WIRE ASM 113134)



WIRING DIAGRAM WIPER/WASHER
(WIRE ASM 111096)

② SEE WIRING DIAGRAM-BODY FOR ADDITIONAL INFORMATION.
 ⚠ SEE MANUFACTURER'S DIAGRAM FOR ADDITIONAL INFORMATION.