



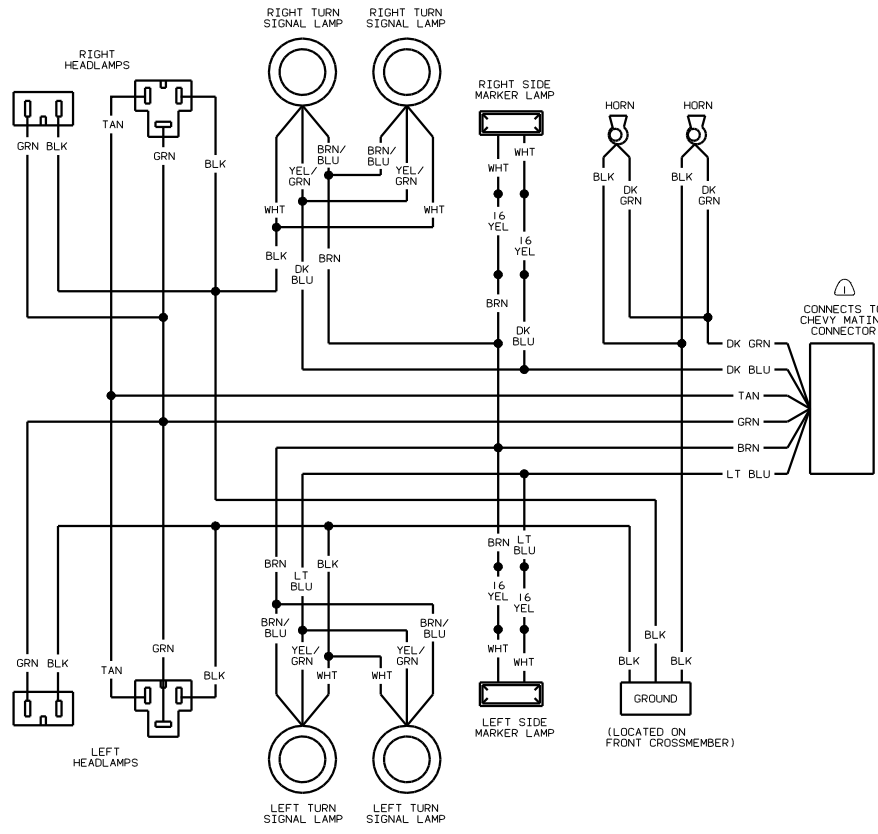
DANGER

Danger of electrical shock, burns or death. Always remove all power sources before attempting any repair, service or diagnostic work. Power can be present from shore power, generator, inverter or battery. All power sources must be disabled and secured before performing any service.

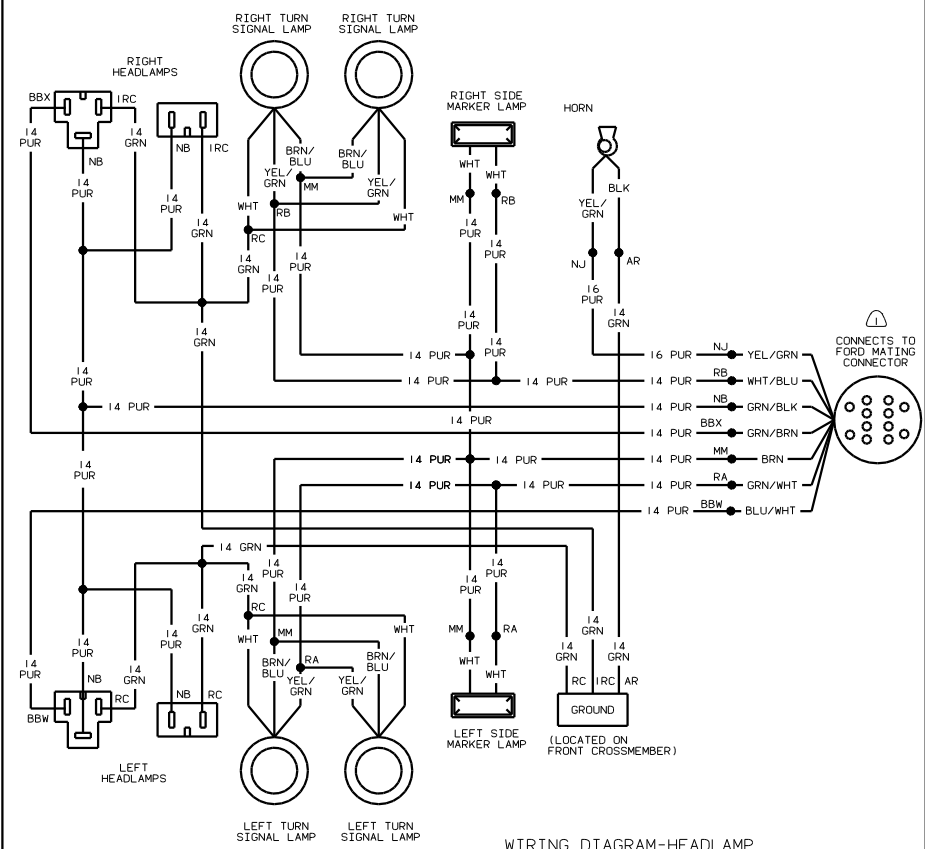


CAUTION

If you lack the skills, tools or equipment to perform diagnostic or repair work leave such work to an authorized Winnebago Industries dealer or other qualified shop.



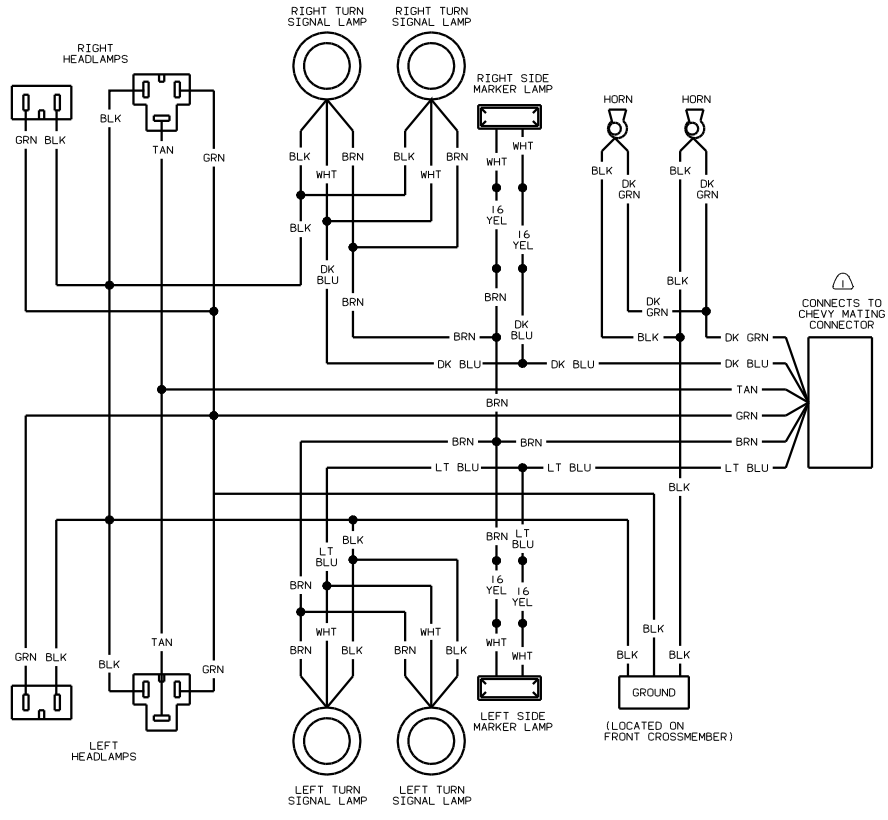
WIRING DIAGRAM-HEADLAMP
 (WORKHORSE CHASSIS)
 (WIRE ASM 103784-30)



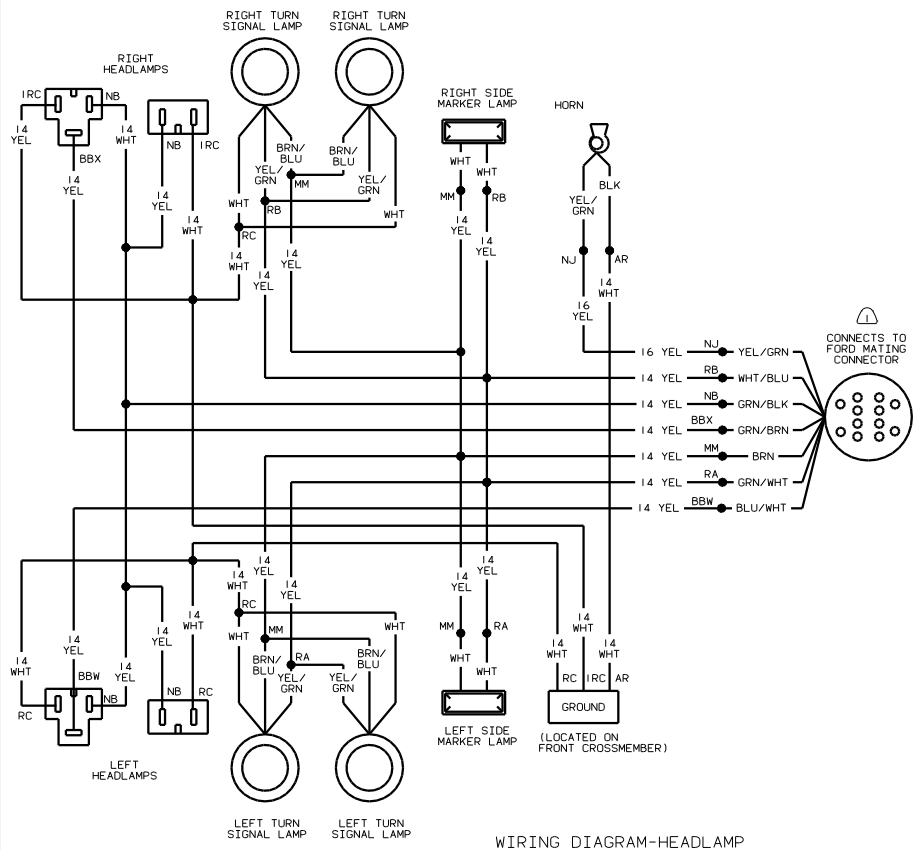
WIRING DIAGRAM-HEADLAMP
 (FORD CHASSIS)
 (WIRE ASM 103784-26)

G-SERIES WINNEBAGO
 01 G-SERIES
 00 G-SERIES

OF IN		DATE	UNSPECIFIED TOLERANCES ARE:	MATERIAL
CHP	DATE	ONE-PLACE (16.81)		
DFE	DATE	TWO-PLACE (16.80)		
D/E	DATE	ANGLE		
CDR	DATE	INDIC. W/ANGLE		
LANT		DATE	INDIC. W/ANGLE	
REV #		SCALE	NOTE	TO THE SCALE SHOWN
ALL DIMENSIONS ARE IN MILLIMETERS		SHEET	1 OF 4	FIG NO



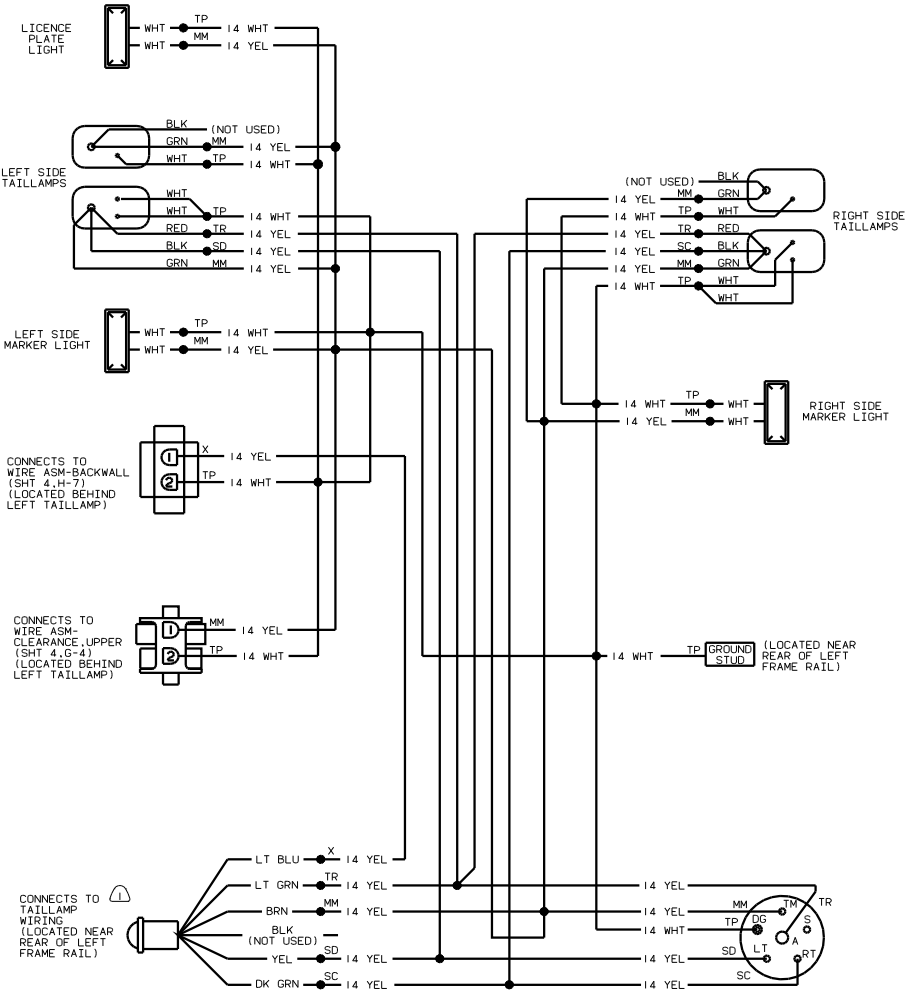
WIRING DIAGRAM-HEADLAMP
(WORKHORSE CHASSIS)
(WIRE ASM 103784-31)



WIRING DIAGRAM-HEADLAMP
(FORD CHASSIS)
(WIRE ASM 103784-29)

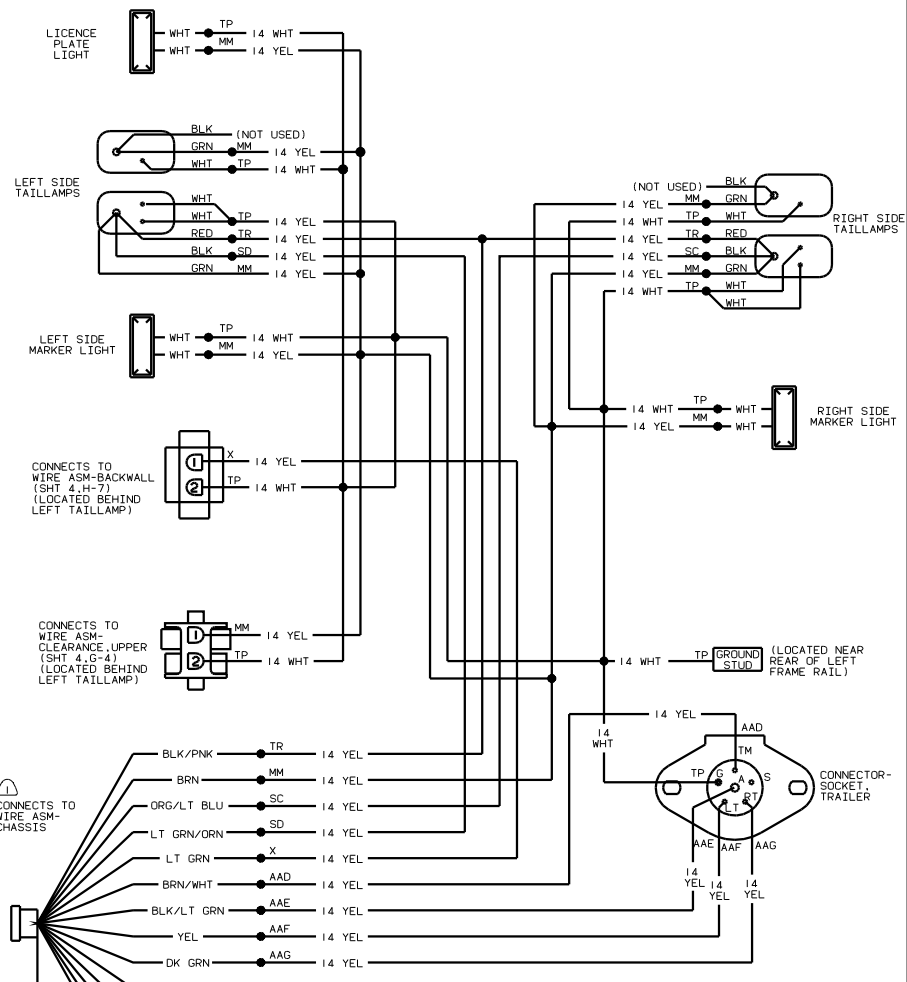
NOTES: SEE MANUFACTURERS DIAGRAM FOR ADDITIONAL INFORMATION.

01 G SERIES
00 G-SERIES
ITASCA



WIRING DIAGRAM-BACKWALL (WORKHORSE CHASSIS) (WIRE ASM 132730-02)

NOTES: SEE MANUFACTURERS DIAGRAM FOR ADDITIONAL INFORMATION.



WIRING DIAGRAM-BACKWALL (FORD CHASSIS) (WIRE ASM 132730-01)

01 G-SERIES 00 G-SERIES

CONNECTS TO
WIRE ASM-BACKWALL
(SHT 3,E-8 & E-4)
(LOCATED BEHIND
LEFT TAILLAMP)

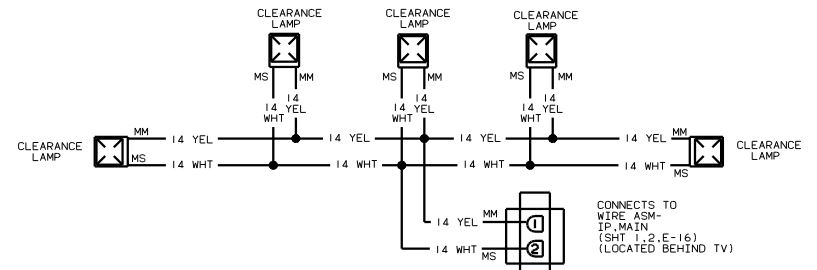


WIRING DIAGRAM-BACKWALL, DQ
(WIRE ASM-132731)

CONNECTS TO
WIRE ASM-BACKWALL
(SHT 3,D-8 & D-4)
LOCATED BEHIND
LEFT TAILLAMP)



WIRING DIAGRAM-CLEARANCE, UPPER
(WIRE ASM 132729)



WIRING DIAGRAM-CLEARANCE LAMPS
(WIRE ASM 126486)

(SEE WIRING DIAGRAM-AUTO
FOR ADDITIONAL INFORMATION)

01 G SERIES
00 G-SERIES