



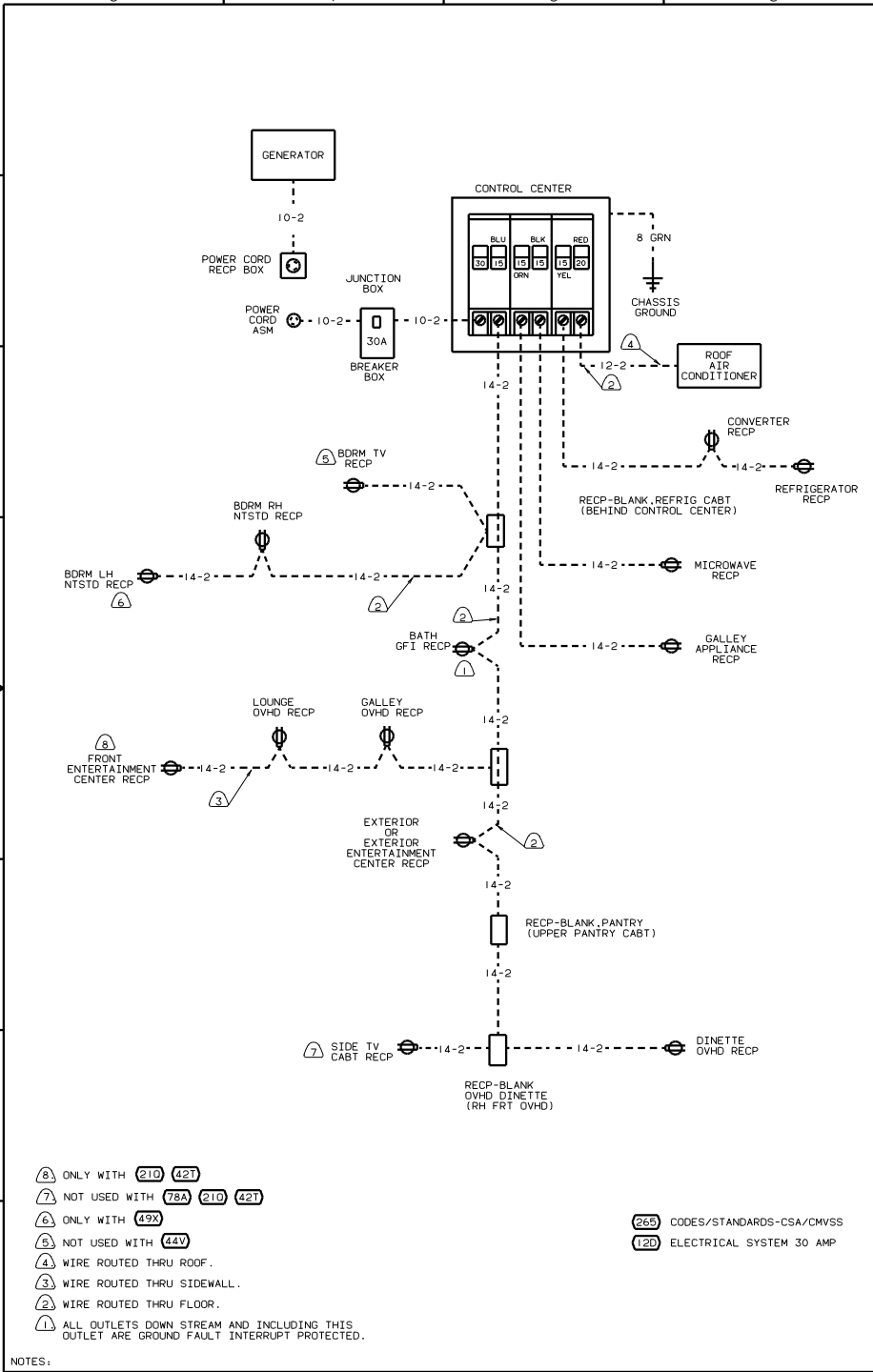
DANGER

Danger of electrical shock, burns or death. Always remove all power sources before attempting any repair, service or diagnostic work. Power can be present from shore power, generator, inverter or battery. All power sources must be disabled and secured before performing any service.



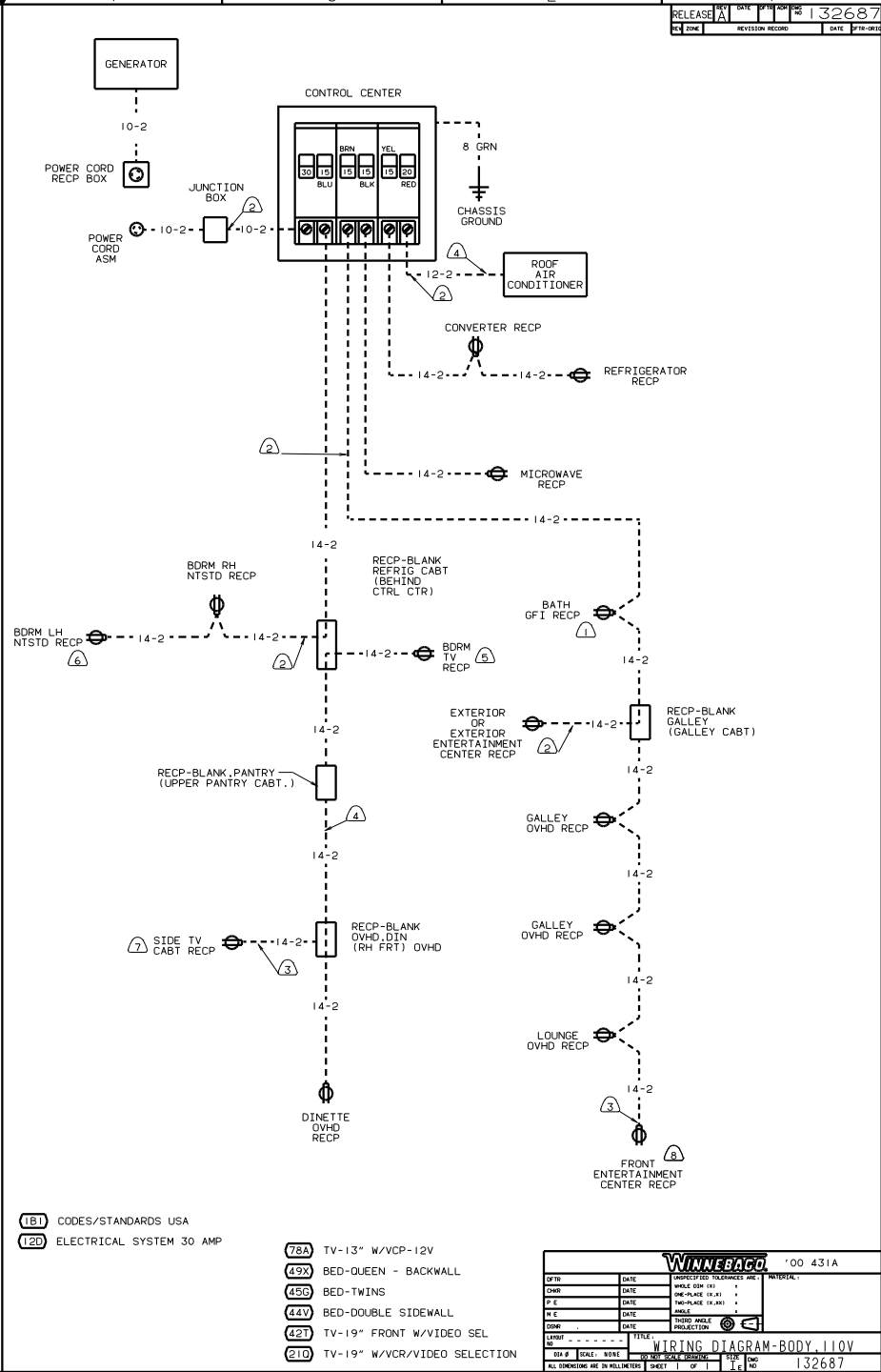
CAUTION

If you lack the skills, tools or equipment to perform diagnostic or repair work leave such work to an authorized Winnebago Industries dealer or other qualified shop.



- 8 ONLY WITH (210) (42T)
- 7 NOT USED WITH (78A) (210) (42T)
- 6 ONLY WITH (49X)
- 5 NOT USED WITH (44V)
- 4 WIRE ROUTED THRU ROOF.
- 3 WIRE ROUTED THRU SIDEWALL.
- 2 WIRE ROUTED THRU FLOOR.
- 1 ALL OUTLETS DOWN STREAM AND INCLUDING THIS OUTLET ARE GROUND FAULT INTERRUPT PROTECTED.

(265) CODES/STANDARDS-CSA/CMVSS
 (120) ELECTRICAL SYSTEM 30 AMP



(181) CODES/STANDARDS USA
 (120) ELECTRICAL SYSTEM 30 AMP

- (78A) TV-13" W/VCP-12V
- (49X) BED-QUEEN - BACKWALL
- (45G) BED-TWINS
- (44V) BED-DOUBLE SIDEWALL
- (42T) TV-19" FRONT W/VIDEO SEL
- (210) TV-19" W/VCR/VIDEO SELECTION

		'00 431A
QP IN DATE UNDESIGNED TOLERANCES ARE MATERIAL	DATE	DATE
CWP DATE ONE-PLACE (9.81)	DATE	DATE
P/E DATE TWO-PLACE (9.80)	DATE	DATE
COMR DATE	DATE	DATE
LAYOUT NO.	TITLE	SHEET NO.
101	WIRING DIAGRAM-BODY 110V	1 OF 1
1/8" = 1" SCALE NOTE: TO THE SCALE SHOWN	1.6	132687
ALL DIMENSIONS ARE IN MILLIMETERS	SHEET	REV 4A