



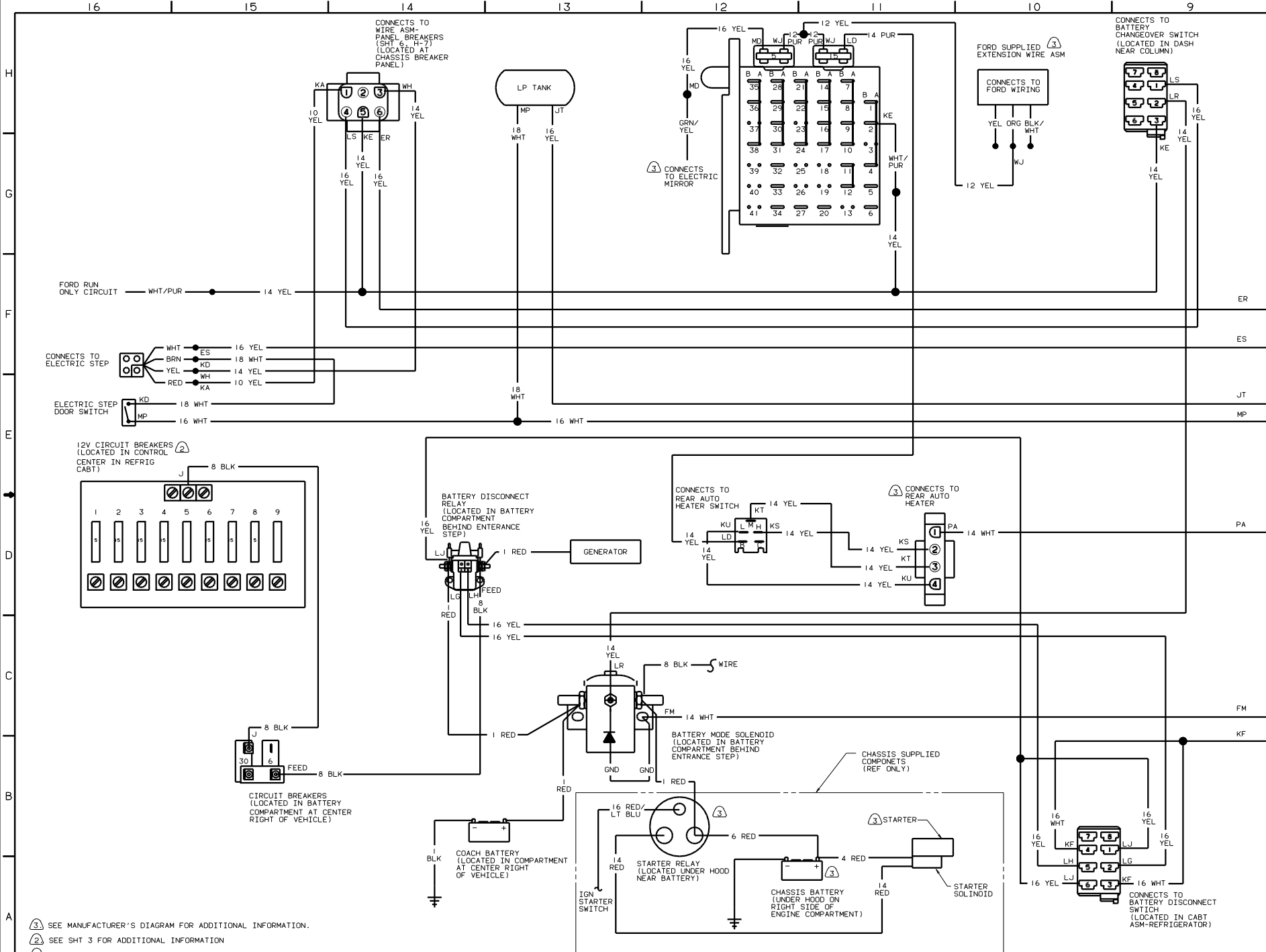
DANGER

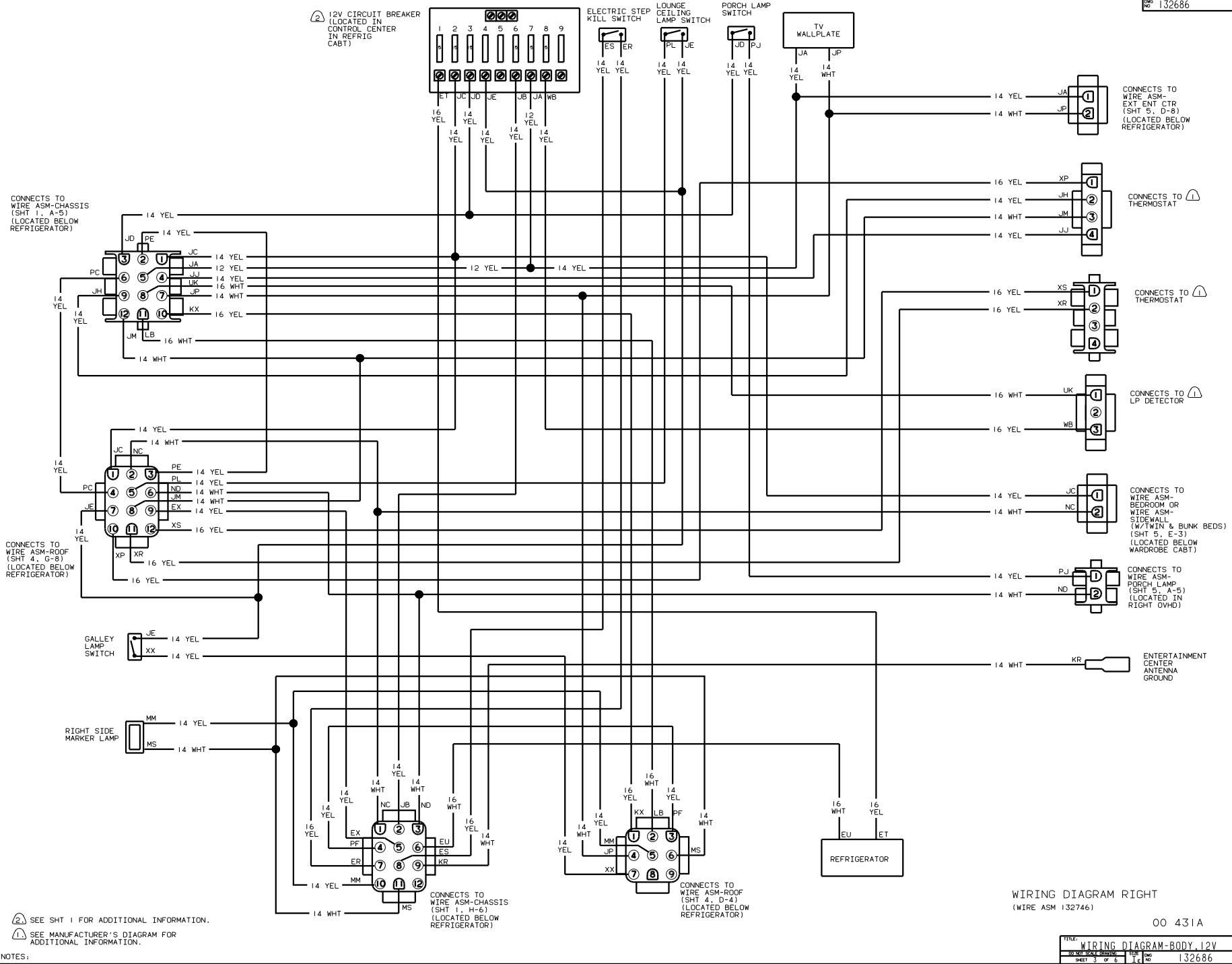
Danger of electrical shock, burns or death. Always remove all power sources before attempting any repair, service or diagnostic work. Power can be present from shore power, generator, inverter or battery. All power sources must be disabled and secured before performing any service.



CAUTION

If you lack the skills, tools or equipment to perform diagnostic or repair work leave such work to an authorized Winnebago Industries dealer or other qualified shop.





CONNECTS TO WIRE ASM-CHASSIS (SHT 1, A-5) (LOCATED BELOW REFRIGERATOR)

CONNECTS TO WIRE ASM-ROOF (SHT 4, G-8) (LOCATED BELOW REFRIGERATOR)

CONNECTS TO WIRE ASM-CHASSIS (SHT 1, H-6) (LOCATED BELOW REFRIGERATOR)

CONNECTS TO WIRE ASM-ROOF (SHT 4, D-4) (LOCATED BELOW REFRIGERATOR)

CONNECTS TO WIRE ASM-EXT ENT CTR (SHT 5, D-8) (LOCATED BELOW REFRIGERATOR)

CONNECTS TO THERMOSTAT

CONNECTS TO THERMOSTAT

CONNECTS TO LP DETECTOR

CONNECTS TO WIRE ASM-BEDROOM OR WIRE ASM-SIDEWALL (W/TWIN & BUNK BEDS) (SHT 5, E-3) (LOCATED BELOW WARDROBE CABT)

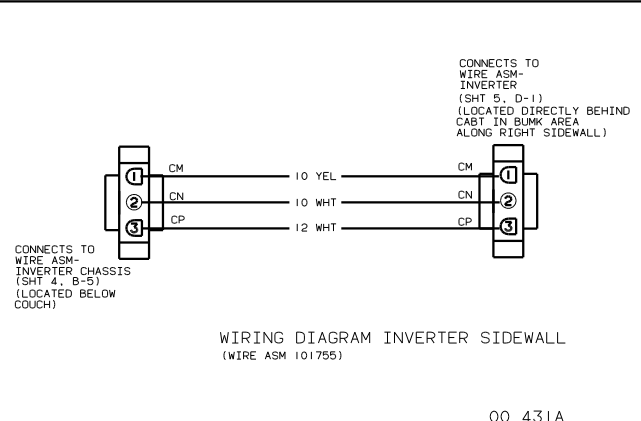
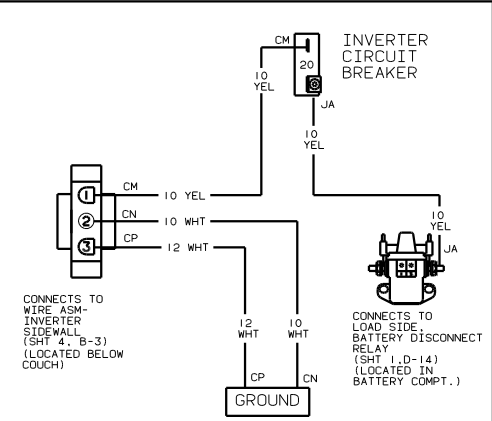
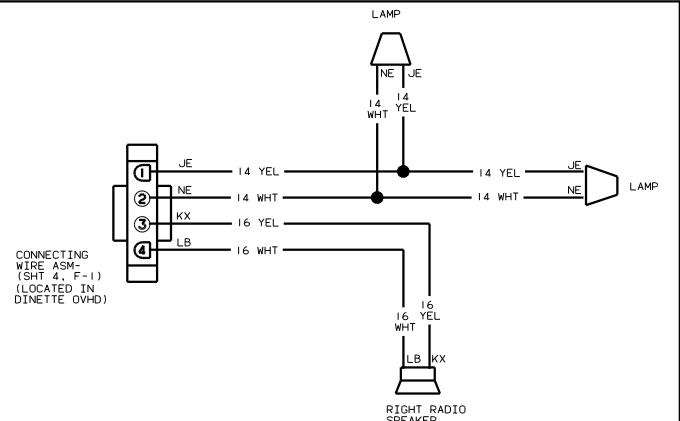
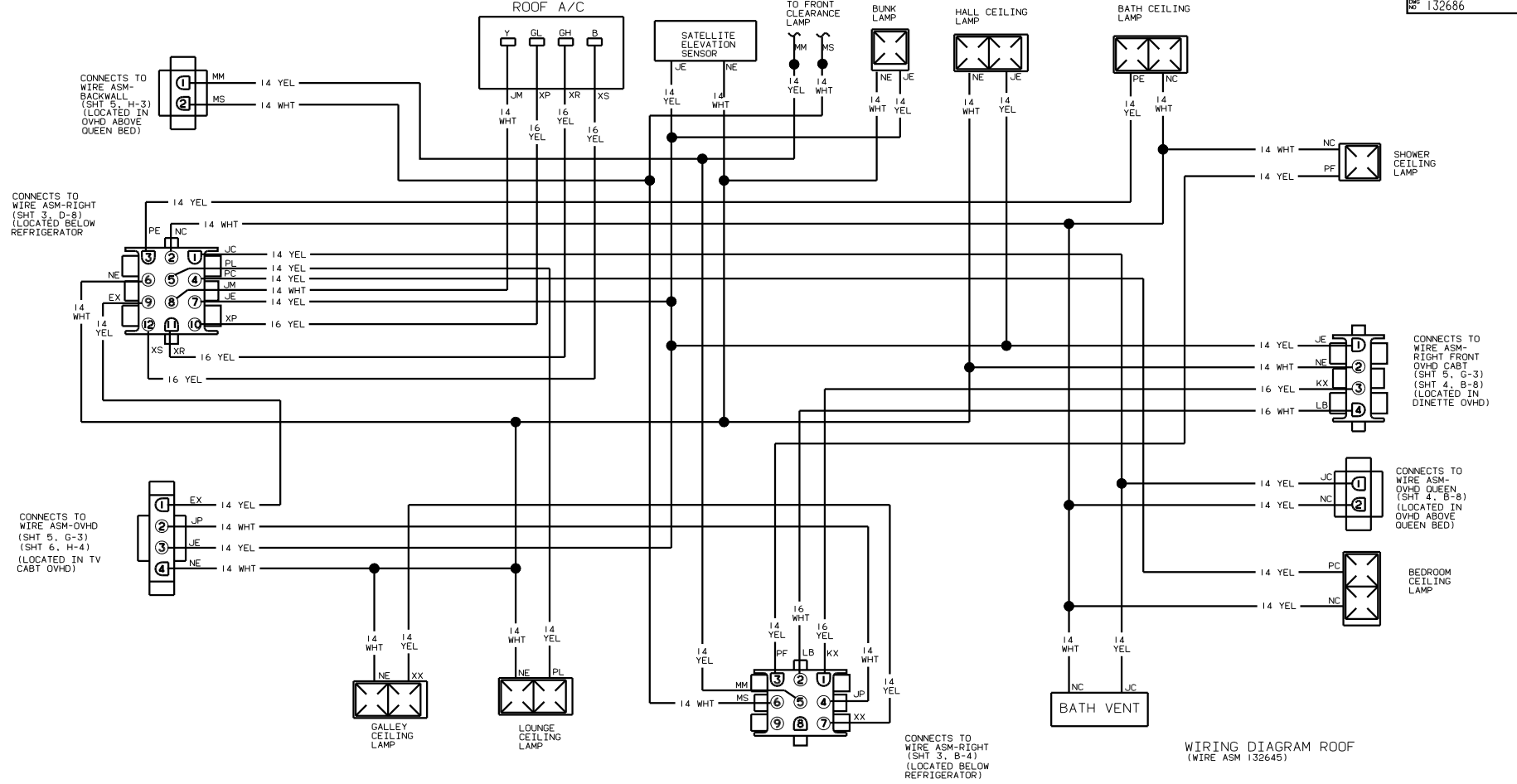
CONNECTS TO WIRE ASM-PORCH LAMP (SHT 5, A-5) (LOCATED IN RIGHT OVHD)

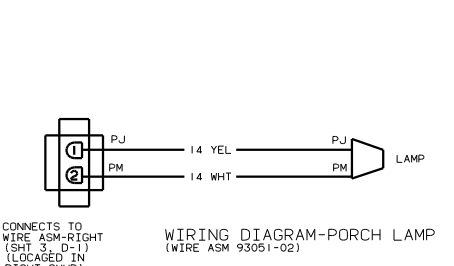
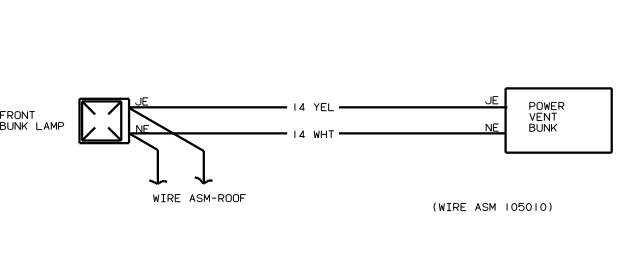
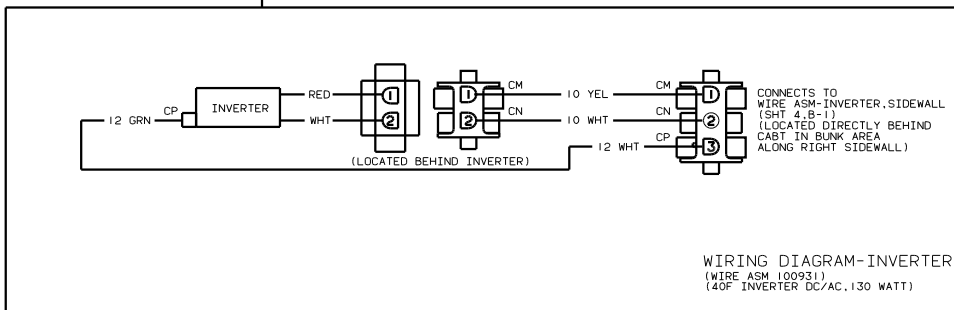
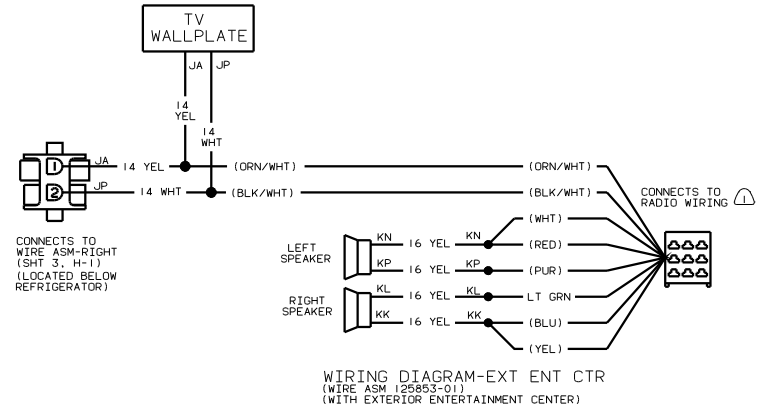
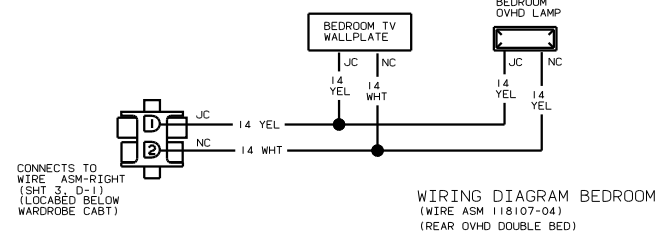
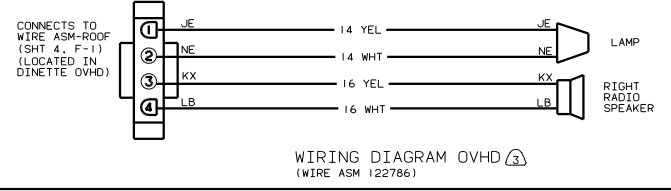
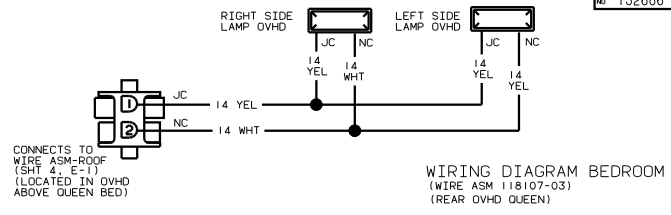
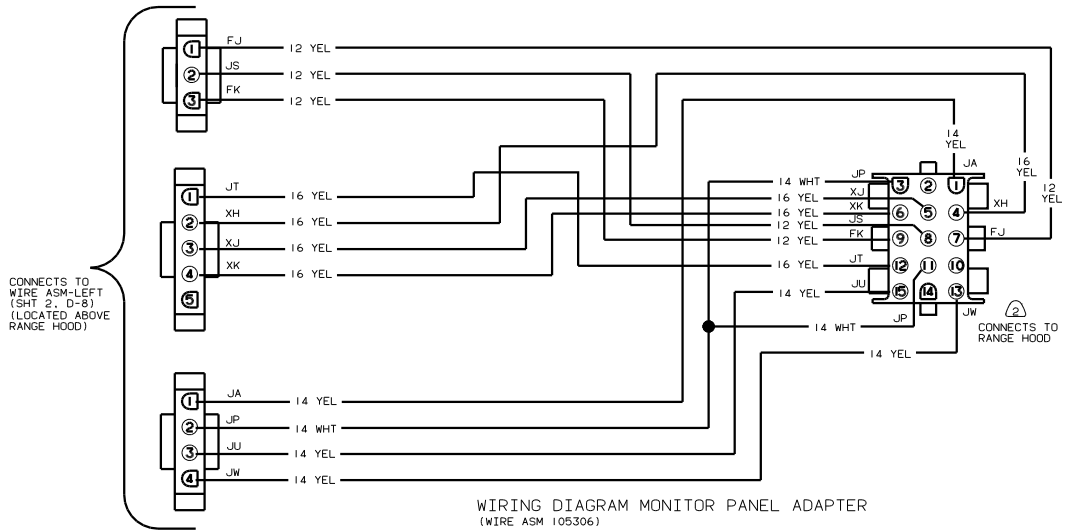
ENTERTAINMENT CENTER ANTENNA GROUND

WIRING DIAGRAM RIGHT (WIRE ASM 132746)

OO 431A

NOTES:
 (2) SEE SHT 1 FOR ADDITIONAL INFORMATION.
 (1) SEE MANUFACTURER'S DIAGRAM FOR ADDITIONAL INFORMATION.





NOTES:

(3) IC1 CABT-OVHD W/TV STORAGE.

(2) SEE MANUFACTURER'S DIAGRAM FOR ADDITIONAL INFORMATION.

(1) SEE WIRING DIAGRAM-AUTO FOR ADDITIONAL INFORMATION.

