



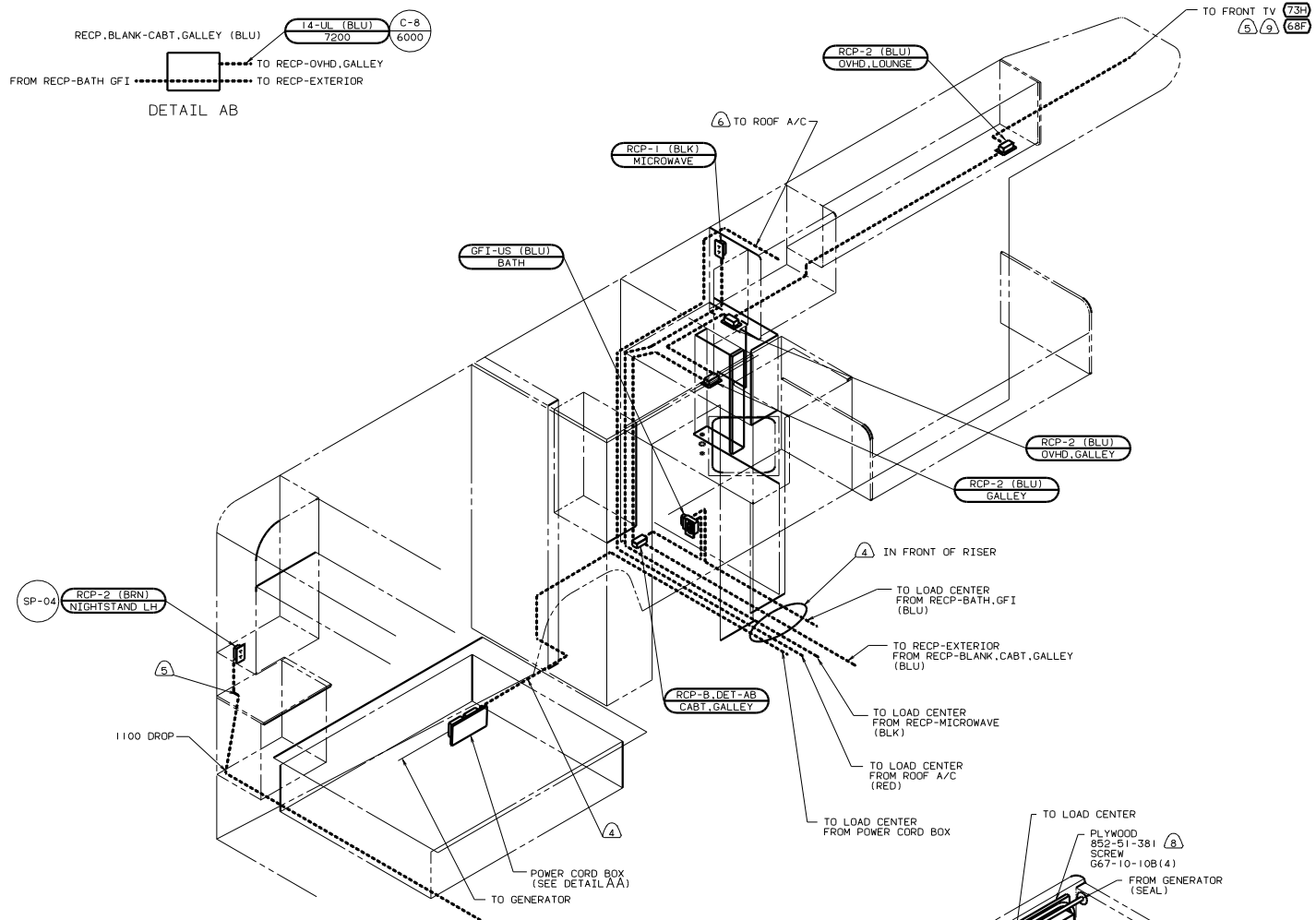
DANGER

Danger of electrical shock, burns or death. Always remove all power sources before attempting any repair, service or diagnostic work. Power can be present from shore power, generator, inverter or battery. All power sources must be disabled and secured before performing any service.



CAUTION

If you lack the skills, tools or equipment to perform diagnostic or repair work leave such work to an authorized Winnebago Industries dealer or other qualified shop.



DETAIL AB

DETAIL AA

- 9. SEE WIRING INSTL-TV/VCR,FRONT FOR ADDITIONAL INFORMATION.
 - 8. PAINT EXPOSED SURFACES BLACK WITH 106112-01-000.
 - 7. INSTALL RCP WITH GROUND LOCATED FORWARD IN VEHICLE SEE GENERATOR INSTL- FOR ADDITIONAL INFORMATION.
 - 6. ROUTE WIRE THRU ROOF.
 - 5. ROUTE WIRE THRU SIDEWALL.
 - 4. ROUTE WIRE THRU FLOOR.
3. ALL GROUND WIRES TO BE COVERED WITH TUBING 8041-02-000.
2. ALL 110V WIRES ARE TO BE CLAMPED WITH CLAMP 10495-05-000 WITHIN 200 OF OUTLET BOXES. USE SCREW G67-10-12B.
1. ALL WIRES TO BE CLAMPED WITH CLAMP 10495-01-000 OR CLIP 80734-02-000 EVERY 600. USE SCREW G67-10-12B UNLESS OTHERWISE SPECIFIED.

- 73H TV-19~/VCR/VIDEO SEL/SGL BNK
- 68F TV-19~/VIDEO SELECT/SGL BNK
- 49X BED-QUEEN - BACKWALL
- 40N GEN-4. OKW-ONAN-GAS-MICROLITE
- 12D ELECTRICAL SYSTEM 30 AMP
- 1B1 CODES/STANDARDS USA

FOR ELECTRICAL TORQUE SPECIFICATIONS SEE DWG NO. 128783-01-000

X-X FOR ELECTRICAL CALLOUTS SEE DWG NO. 121339-01-000

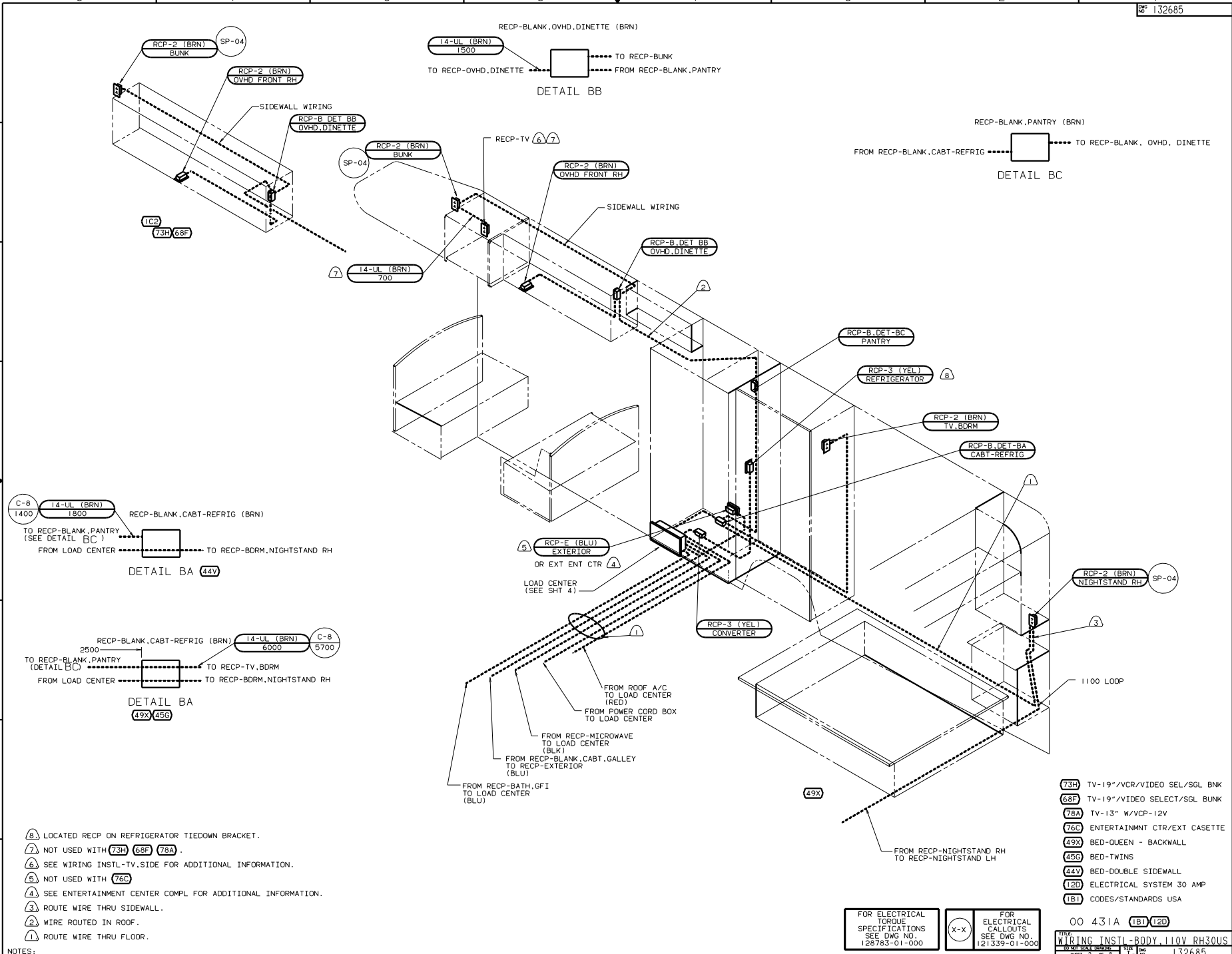
WINNEBAGO 00 431A

OF IN	DATE	UNSPECIFIED TOLERANCES ARE:	MATERIAL
OMP	DATE	WHOLE DIM (X)	
PIE	DATE	ONE-PLACE (X.X1)	
D/E	DATE	TWO-PLACE (X.XX)	
DATE	DATE	ANGLE	
DATE	DATE	THIRD WHOLE DIMENSION	

WIRING INSTL-BODY,110V LH30US

SHEET 1 OF 8

REF: 129228-1



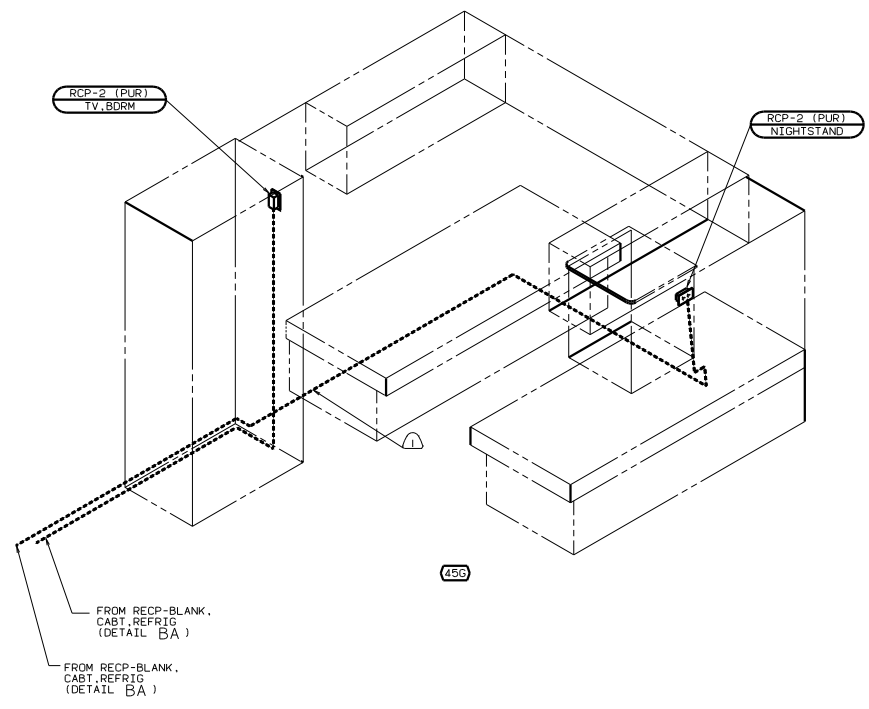
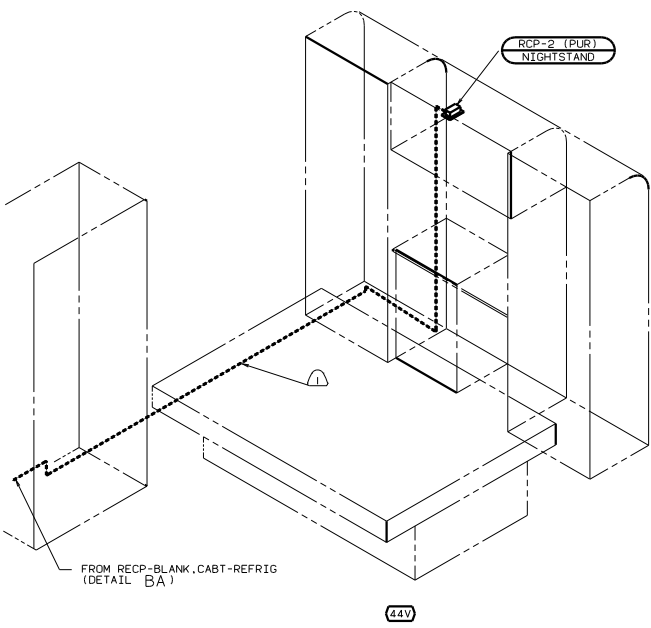
- Ⓐ LOCATED RECP ON REFRIGERATOR TIEDOWN BRACKET.
- Ⓙ NOT USED WITH 73H 68F 78A .
- Ⓚ SEE WIRING INSTL-TV, SIDE FOR ADDITIONAL INFORMATION.
- Ⓛ NOT USED WITH 76C
- Ⓜ SEE ENTERTAINMENT CENTER COMPL FOR ADDITIONAL INFORMATION.
- Ⓝ ROUTE WIRE THRU SIDEWALL.
- Ⓔ WIRE ROUTED IN ROOF.
- Ⓟ ROUTE WIRE THRU FLOOR.

- 73H TV-19"/VCR/VIDEO SEL/SGL BNK
- 68F TV-19"/VIDEO SELECT/SGL BNK
- 78A TV-13" W/VCP-12V
- 76C ENTERTAINMNT CTR/EXT CASSETTE
- 49X BED-QUEEN - BACKWALL
- 45G BED-TWINS
- 44V BED-DOUBLE SIDEWALL
- 12D ELECTRICAL SYSTEM 30 AMP
- 1B1 CODES/STANDARDS USA

FOR ELECTRICAL TORQUE SPECIFICATIONS SEE DWG NO. 128783-01-000

FOR ELECTRICAL CALLOUTS SEE DWG NO. 121339-01-000

00 431A 1B1 12D
 WIRING INSTL-RDGY, 110V RH30US
 SHEET 2 OF 8 132685



WIRE ROUTED THRU FLOOR.

NOTES:

- 45G BED-TWINS
- 44V BED-DOUBLE SIDEWALL
- 265 CODES/STANDARDS-CSA/CMVSS
- 12D ELECTRICAL SYSTEM 30 AMP
- 1B1 CODES/STANDARDS USA

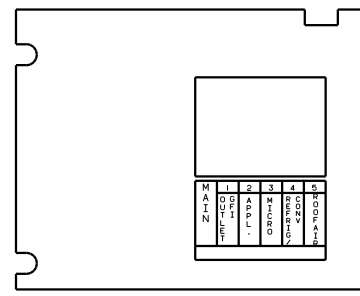
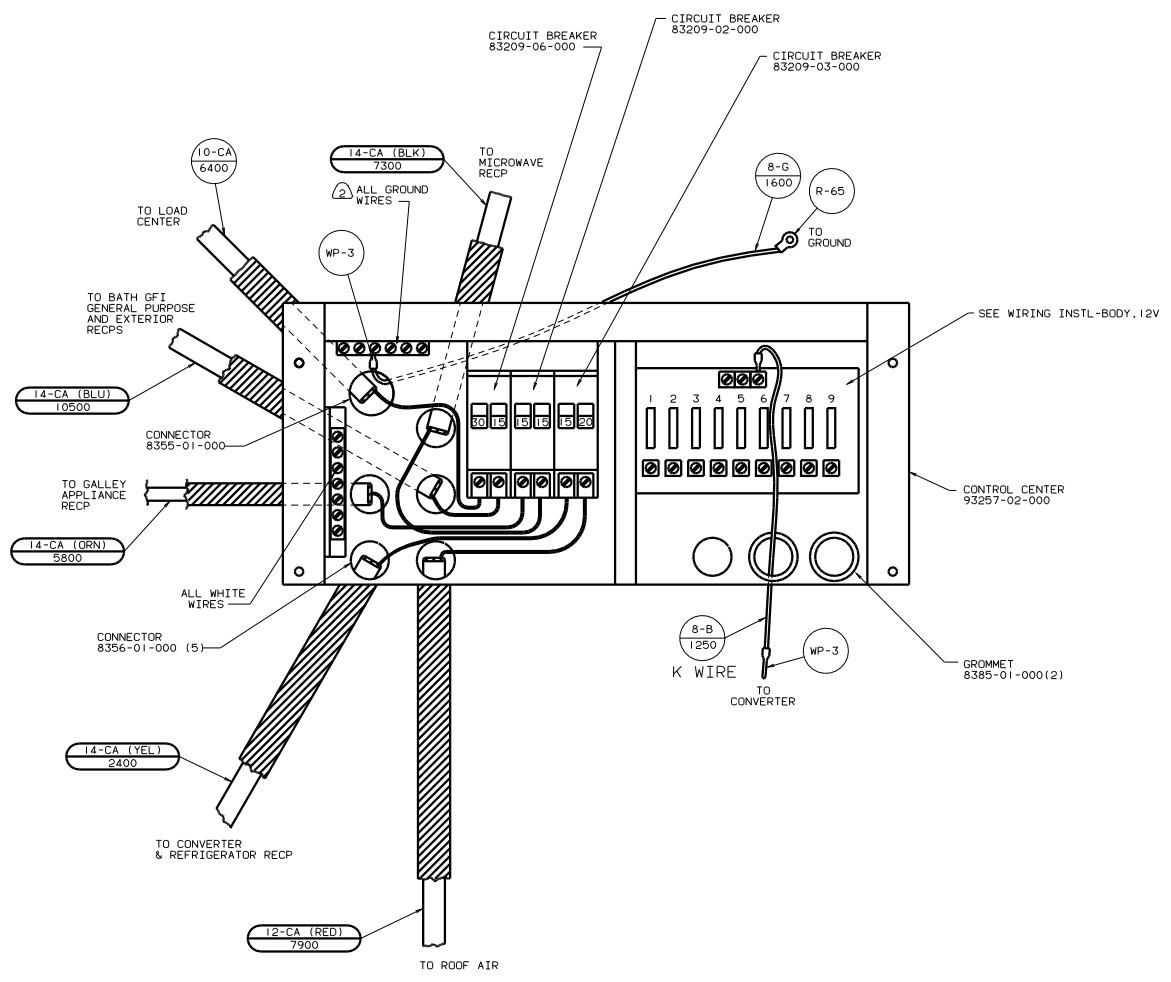
FOR ELECTRICAL
TORQUE
SPECIFICATIONS
SEE DWG NO.
128783-01-000

FOR
ELECTRICAL
CALLOUTS
SEE DWG NO.
121339-01-000



00 431A 1B1 265 12D

TITLE: WIRING INSTL-BODY, 110V (BDRM)
SHEET 3 OF 8



PANEL-COVER

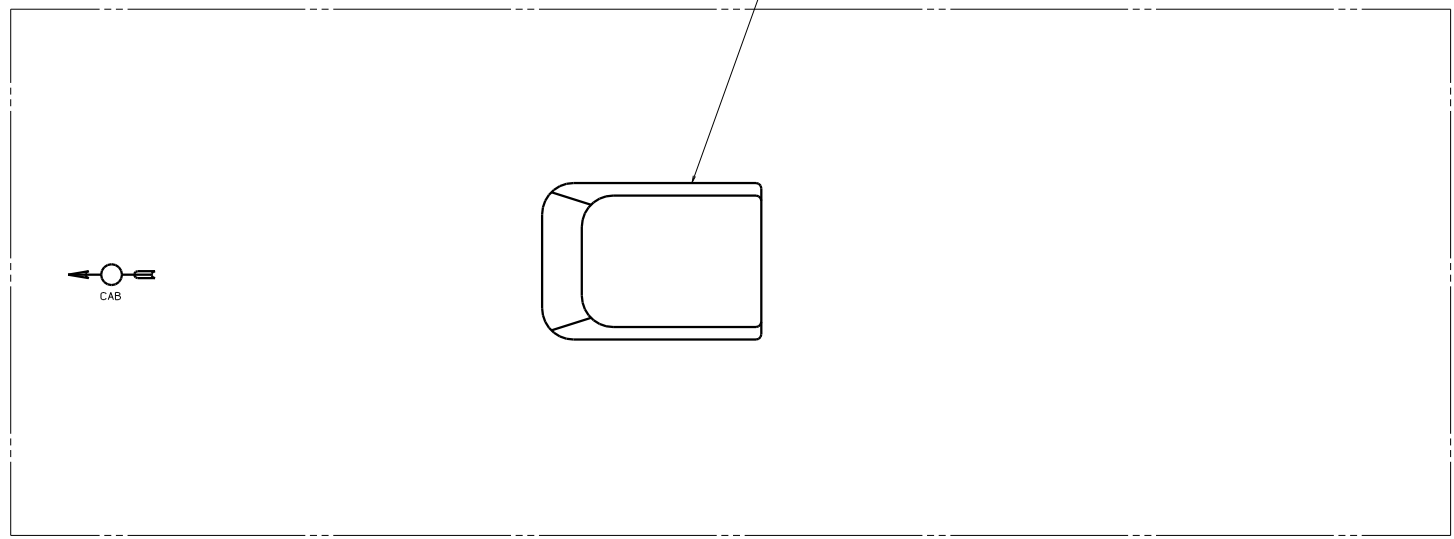
- NOTES:
- (2) ALL GROUND WIRES TO BE COVERED WITH TUBING 8041-02-000.
 - 1. ALL CABLES SHALL BE COVERED WITH CONDUIT-CONVOLUTE, SLIT 41953-01-000 UNLESS OTHERWISE SPECIFIED, 600 MM LESS THAN CABLE LENGTH.

(265) CODES/STANDARDS-CSA/CMVSS
 (120) ELECTRICAL SYSTEM 30 AMP

FOR ELECTRICAL TORQUE SPECIFICATIONS SEE DWG NO. 128783-01-000

FOR ELECTRICAL CALLOUTS SEE DWG NO. 121339-01-000

00 431A (265) (120)
 WIRING INSTL-BODY, 110V LC30CA
 SHEET 7 OF 8
 132685



AIR CONDITIONER
 131188-01-CHT
 CEILING ASM
 131184-03-CHT

CAB

- (250) A/C ROOF AIR (1) 14,800 BTU
- (265) CODES/STANDARDS-CSA/CMVSS
- (181) CODES/STANDARDS USA

00 431A (181) (265) (250)

SEE WIRING INSTL-BODY, 12V FOR ADDITIONAL INFORMATION.