



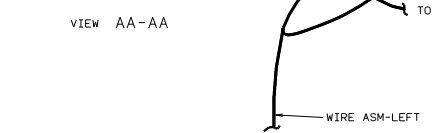
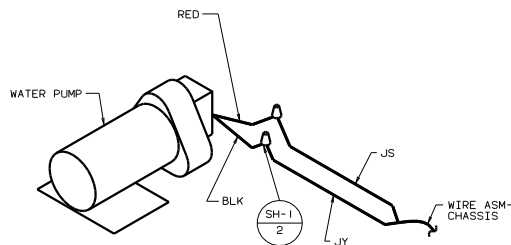
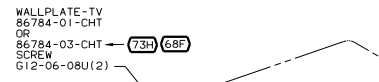
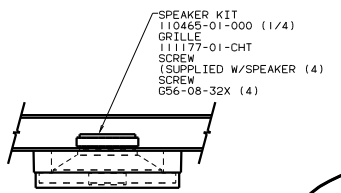
DANGER

Danger of electrical shock, burns or death. Always remove all power sources before attempting any repair, service or diagnostic work. Power can be present from shore power, generator, inverter or battery. All power sources must be disabled and secured before performing any service.

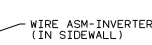
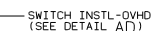
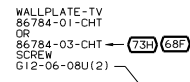
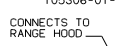
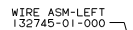
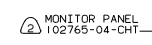


CAUTION

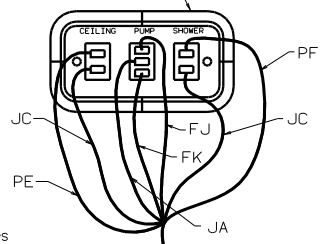
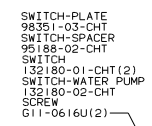
If you lack the skills, tools or equipment to perform diagnostic or repair work leave such work to an authorized Winnebago Industries dealer or other qualified shop.



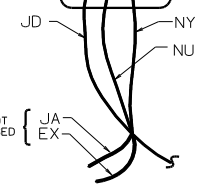
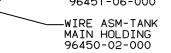
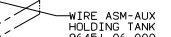
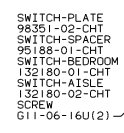
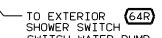
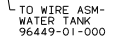
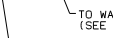
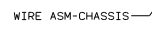
DETAIL AF



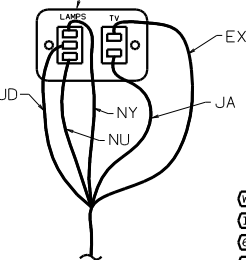
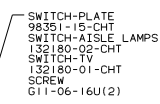
DETAIL AB



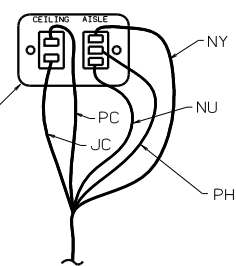
DETAIL AE



DETAIL AD 73H 68F



DETAIL AD 1C1



DETAIL AC

FOR ELECTRICAL TORQUE SPECIFICATIONS SEE DWG NO. 128783-01-000

FOR ELECTRICAL CALLOUTS SEE DWG NO. 121339-01-000

- (WIN) WINNEBAGO ONLY
- (ITA) ITASCA ONLY
- (64R) EXTERIOR WASH STATION
- (48M) LIGHTS-INCANDESCENT
- (68F) TV-19"/VIDEO SELECT/SGL BUNK
- (40F) INVERTER-DC/AC-130W
- (265) CODES/STANDARDS-CSA/CMVSS
- (73H) TV-19"/VCR/VIDEO SEL/SGL BUNK
- (1C1) CABINET-SIDE W/TV STORAGE
- (1B1) CODES/STANDARDS USA
- (09D) DELUXE UPGRADE PACKAGE

- (1B1) (265) (48M) (49X)

WINNEBAGO 00 431A

DATE	UNSPECIFIED TOLERANCES ARE:	MATERIAL
DATE	WHOLE DIM (X)	
DATE	ONE-PLACE (X.X)	
DATE	TWO-PLACE (X.XX)	
DATE	THREE-PLACE (X.XXX)	
DATE	THREE-PLACE (X.XXX)	
DATE	THREE-PLACE (X.XXX)	

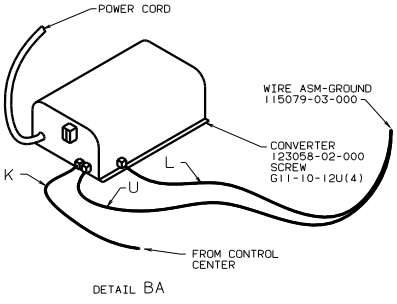
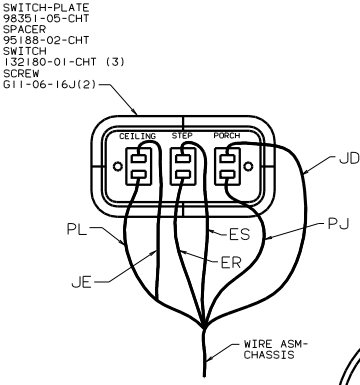
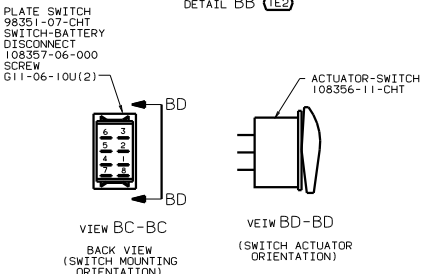
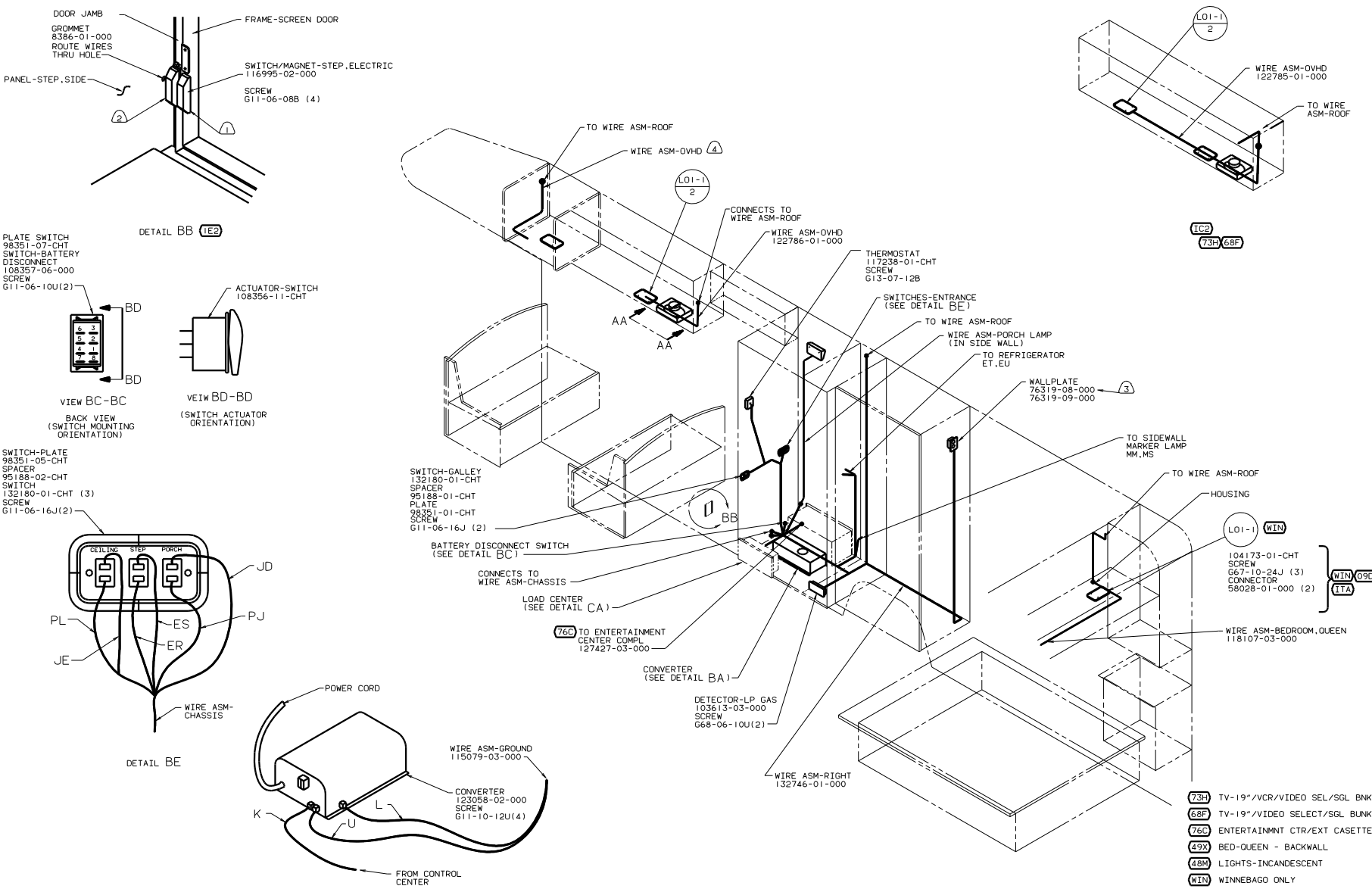
TITLE: WIRING INSTL-BODY 12V(L)

SCALE: NONE

SHEET 1 OF 7

132684

NOTES:
 4) DASH LINES SHOW ROUTING FOR 09D.
 3) ROUTE WIRES THROUGH FLOOR.
 2) NOT USED WITH 09D.
 1. SEAL ALL HOLES THROUGH FLOOR.



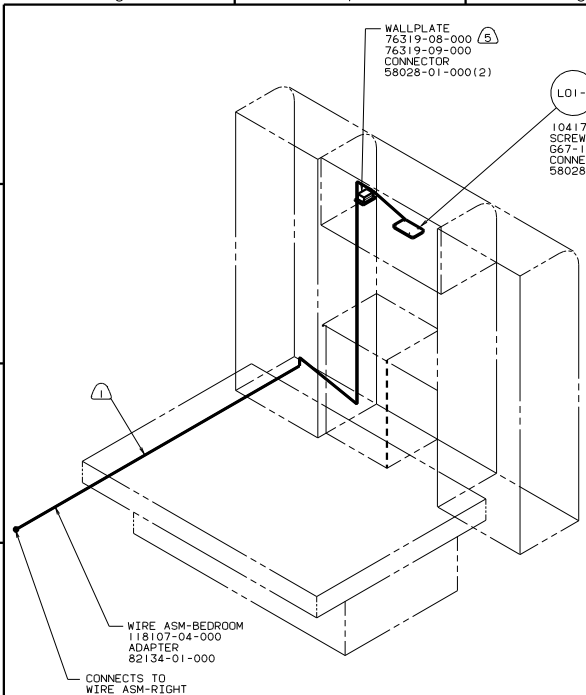
- ④ SEE CABT ASM-TV FOR ADDITIONAL INFORMATION.
- ③ WITH DECORATOR PANELING
- ② MOUNT SWITCH AND SPACER TO BLOCK ON JAMB. ADJUST HEIGHT TO MATCH MAGNET.
- ① MOUNT MAGNET USING PILOT HOLES IN SCREEN DOOR FRAME. MOUNT WITH MAGNET TOWARD SWITCH.

- (73H) TV-19"/VCR/VIDEO SEL/SGL BNK
- (68F) TV-19"/VIDEO SELECT/SGL BUNK
- (76C) ENTERTAINMNT CTR/EXT CASSETTE
- (49X) BED-QUEEN - BACKWALL
- (48M) LIGHTS-INCANDESCENT
- (WIN) WINNEBAGO ONLY
- (265) CODES/STANDARDS-CSA/CMVSS
- (ITA) ITASCA ONLY
- (IE2) ENTRANCE STEP-ELEC.
- (IC2) CABT-SIDE-CAB OVHD W/O TV ST
- (IB1) CODES/STANDARDS USA
- (O9D) DELUXE UPGRADE PACKAGE

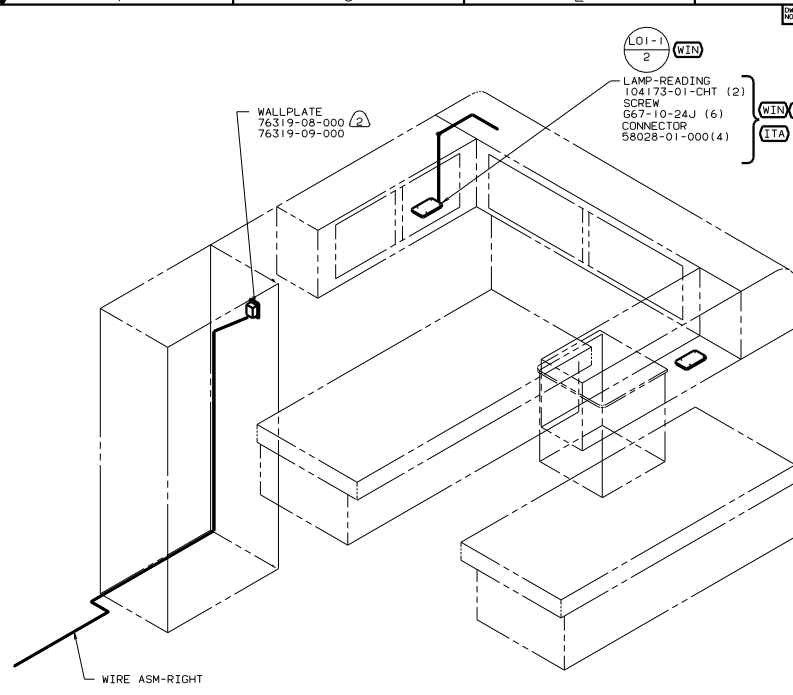
FOR ELECTRICAL TORQUE SPECIFICATIONS SEE DWG NO. 128783-01-000

(X-X)

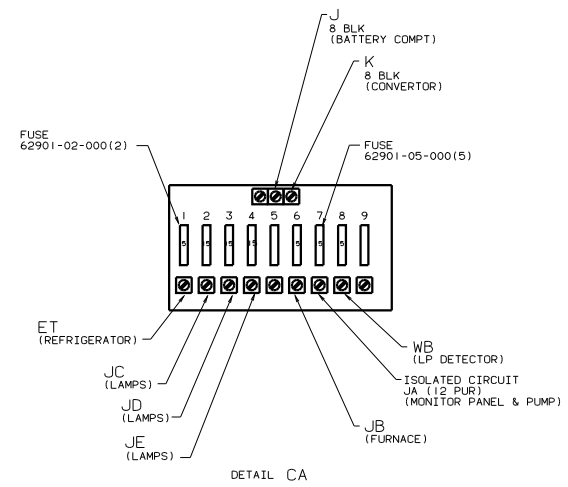
FOR ELECTRICAL CALLOUTS SEE DWG NO. 121339-01-000



44V



45G



DETAIL CA

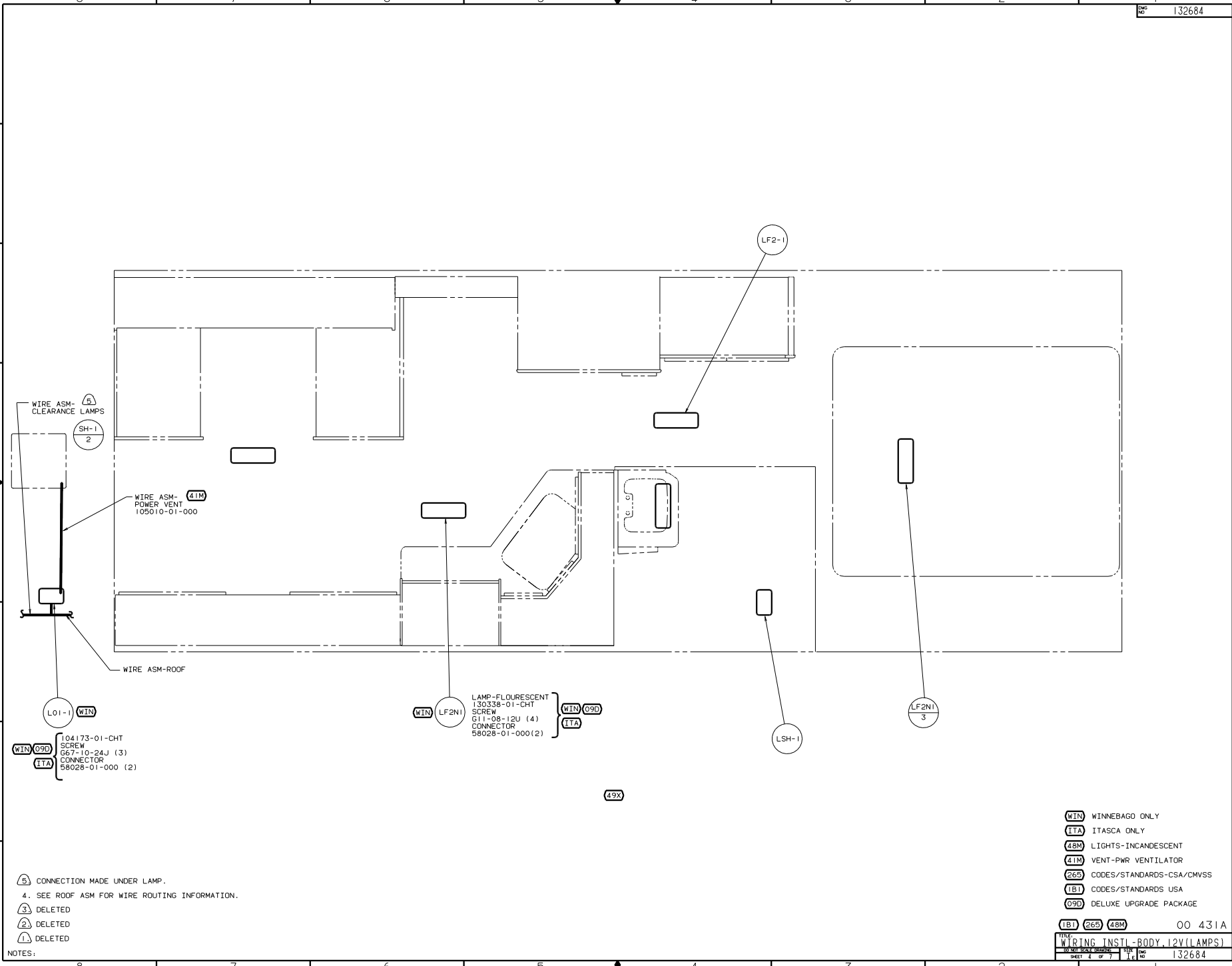
NOTES:
 (2) WITH DECORATOR PANELING.
 (1) WIRE ROUTED THRU FLOOR.

- (WIN) WINNEBAGO ONLY
- (ITA) ITASCA ONLY
- (48M) LIGHTS-INCANDESCENT
- (45G) BED-TWINS
- (44V) BED-DOUBLE SIDEWALL
- (265) CODES/STANDARDS-CSA/CMVSS
- (1B1) CODES/STANDARDS USA
- (09D) DELUXE UPGRADE PACKAGE

FOR ELECTRICAL TORQUE SPECIFICATIONS SEE DWG NO. 128783-01-000

FOR ELECTRICAL CALLOUTS SEE DWG NO. 121339-01-000

(1B1) (265) (48M) 00 431A
 TITLE: WIRING INSTL-BODY, 12V(BDRM)
 SHEET 3 OF 7



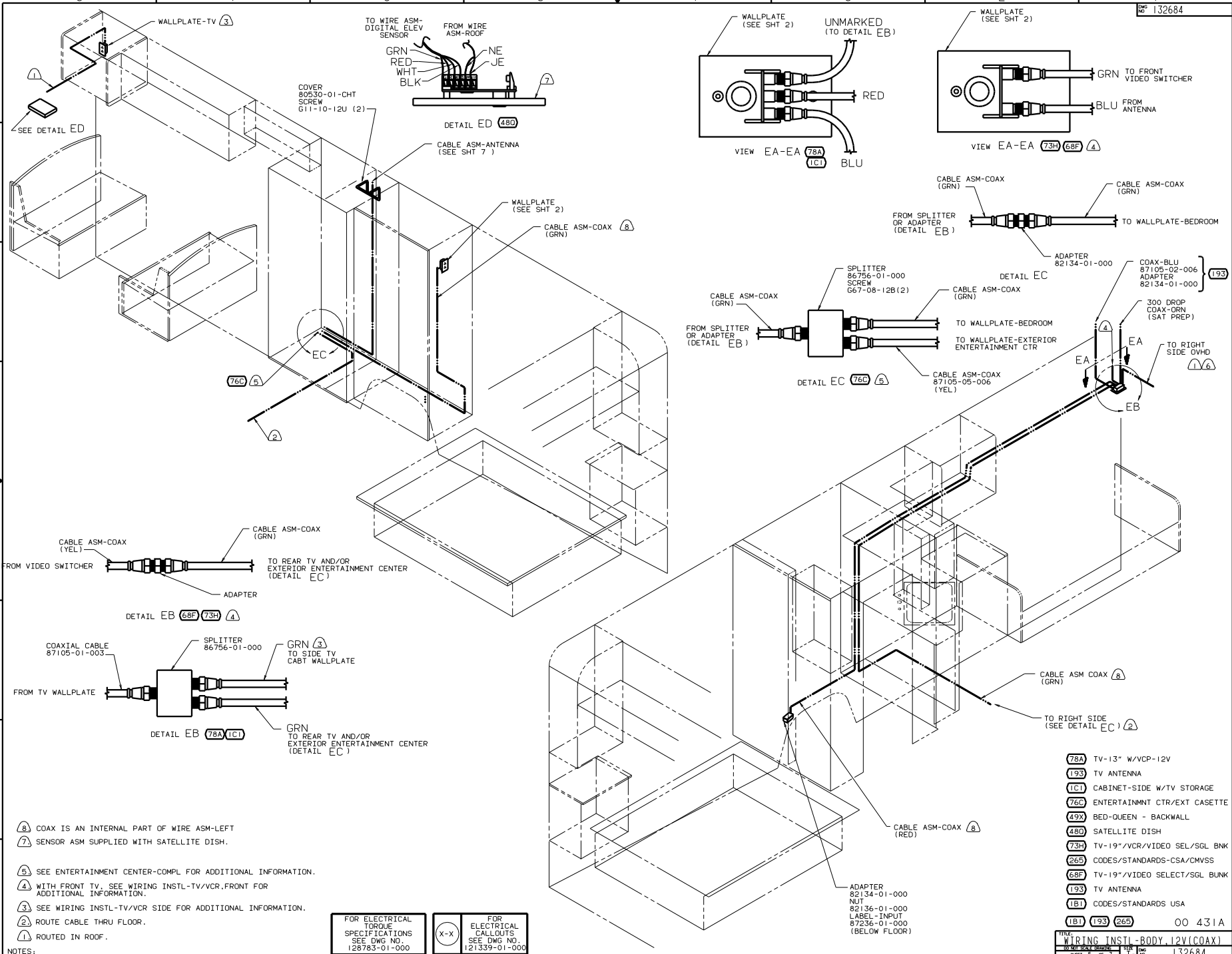
(WIN) (O9D) (ITA) 104173-01-CHT
SCREW
G67-10-24J (3)
CONNECTOR
58028-01-000 (2)

(WIN) (O9D) (ITA) LAMP-FLOURESCENT
I30338-01-CHT
SCREW
G11-08-12U (4)
CONNECTOR
58028-01-000 (2)

- (5) CONNECTION MADE UNDER LAMP.
- 4. SEE ROOF ASM FOR WIRE ROUTING INFORMATION.
- (3) DELETED
- (2) DELETED
- (1) DELETED

- (WIN) WINNEBAGO ONLY
- (ITA) ITASCA ONLY
- (48M) LIGHTS-INCANDESCENT
- (4IM) VENT-PWR VENTILATOR
- (265) CODES/STANDARDS-CSA/CMVSS
- (1B1) CODES/STANDARDS USA
- (O9D) DELUXE UPGRADE PACKAGE

(1B1)	(265)	(48M)	00 431A
FILE: WIRING INSTL-BODY, 12V(LAMPS)			
NO. OF SHEETS		SHEET NO.	
4 of 7		16	
132684			



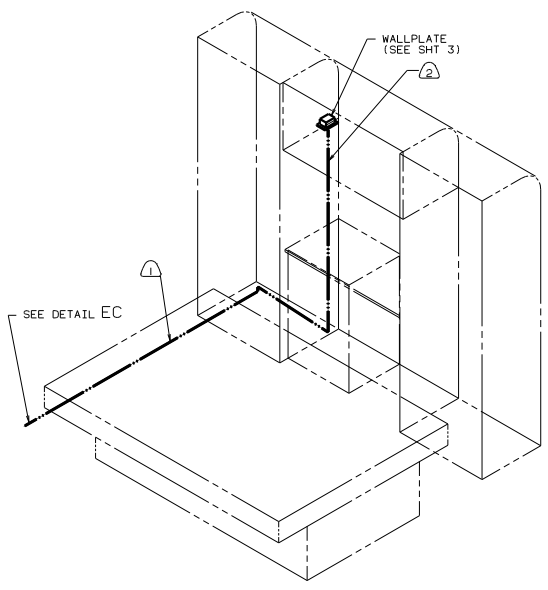
- (8) COAX IS AN INTERNAL PART OF WIRE ASM-LEFT
- (7) SENSOR ASM SUPPLIED WITH SATELLITE DISH.
- (5) SEE ENTERTAINMENT CENTER-COMPL FOR ADDITIONAL INFORMATION.
- (4) WITH FRONT TV, SEE WIRING INSTL-TV/VCR,FRONT FOR ADDITIONAL INFORMATION.
- (3) SEE WIRING INSTL-TV/VCR SIDE FOR ADDITIONAL INFORMATION.
- (2) ROUTE CABLE THRU FLOOR.
- (1) ROUTED IN ROOF.

FOR ELECTRICAL SPECIFICATIONS SEE DWG NO. 128783-01-000

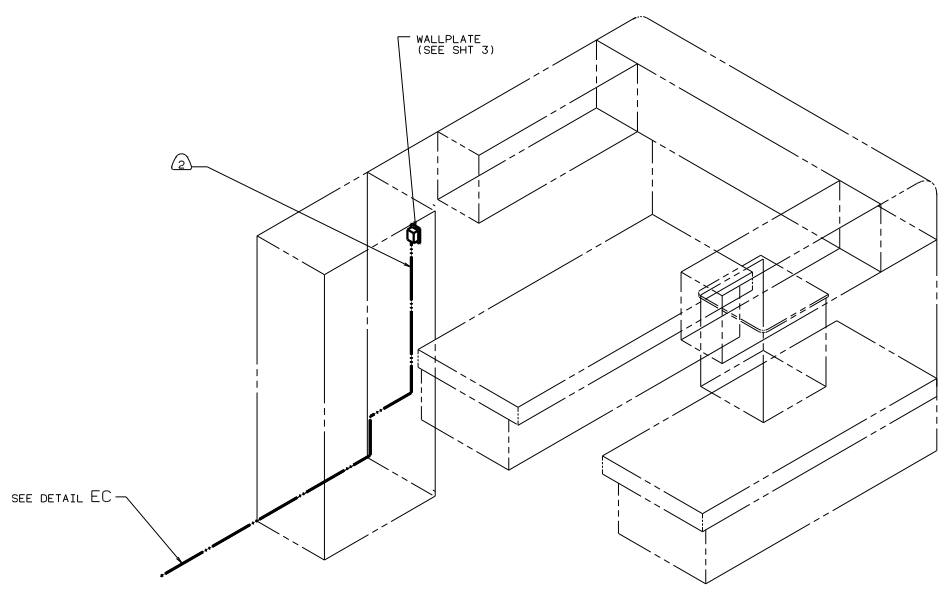
X-X

FOR ELECTRICAL CALLOUTS SEE DWG NO. 121339-01-000

- (78A) TV-13" W/VCP-12V
- (193) TV ANTENNA
- (1C1) CABINET-SIDE W/TV STORAGE
- (76C) ENTERTAINMNT CTR/EXT CASSETTE
- (49X) BED-QUEEN - BACKWALL
- (480) SATELLITE DISH
- (73H) TV-19"/VCR/VIDEO SEL/SGL BNK
- (265) CODES/STANDARDS-CSA/CMVSS
- (68F) TV-19"/VIDEO SELECT/SGL BUNK
- (193) TV ANTENNA
- (1B1) CODES/STANDARDS USA
- (1B1) (193) (265) 00 431A



44V



45G

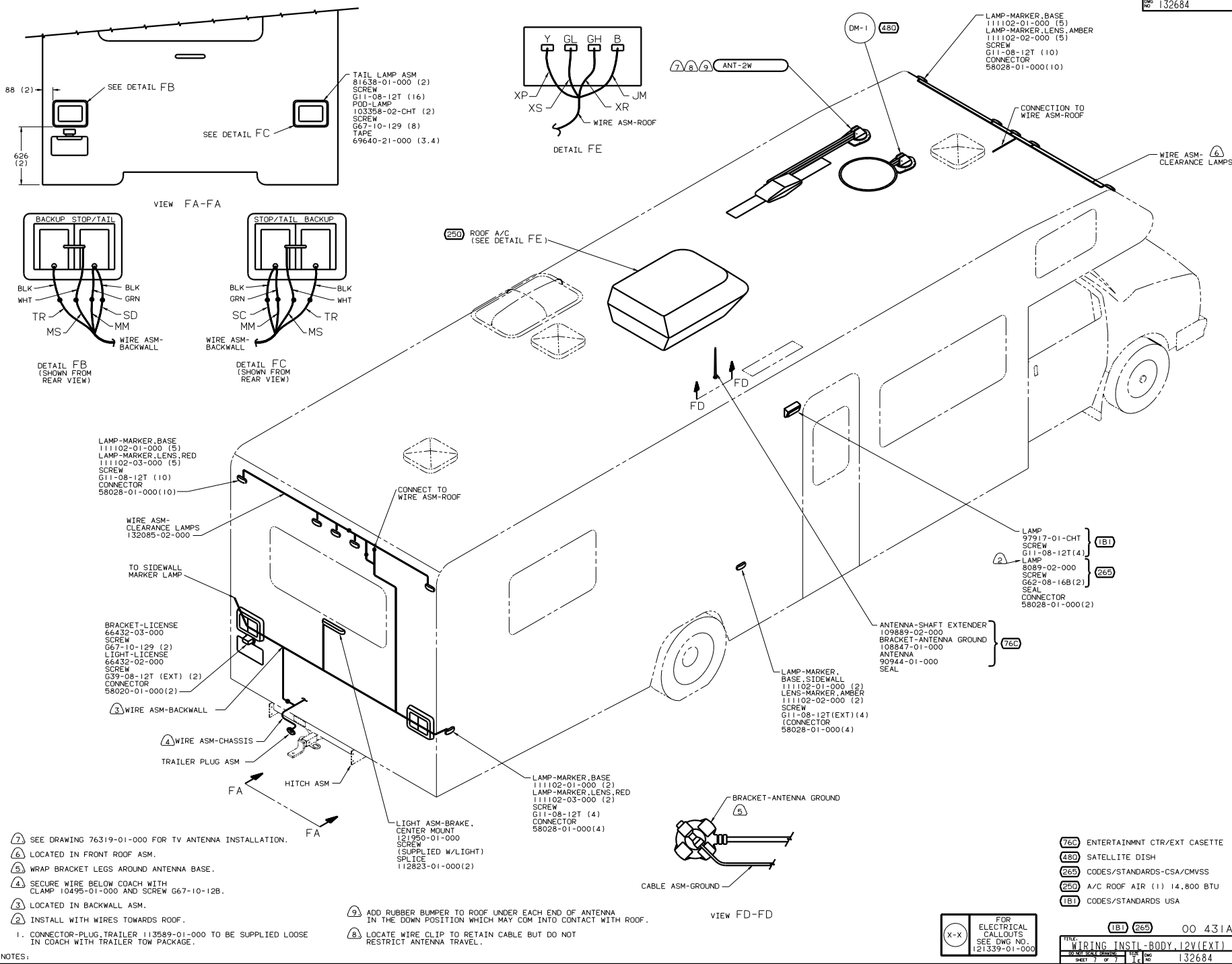
- NOTES:
- ② COAX IS AN INTERNAL PART OF WIRE ASM-RIGHT.
 - ① ROUTE CABLE THRU FLOOR.

FOR ELECTRICAL
TOLERANCE
SPECIFICATIONS
SEE DWG NO.
129783-01-000

FOR ELECTRICAL
CALLOUTS
SEE DWG NO.
121339-01-000

- ④5G BED-TWINS
- ④4V BED-DOUBLE SIDEWALL
- ②65 CODES/STANDARDS-CSA/CMVSS
- ①93 TV ANTENNA
- ①B1 CODES/STANDARDS USA
- ①B1 ①93 ②65 OO 431A

WIRING INSTL-BODY,12V(COAX RR)
SHEET 6 OF 7 I.E. NO 132684



- ⑦ SEE DRAWING 76319-01-000 FOR TV ANTENNA INSTALLATION.
- ⑧ LOCATED IN FRONT ROOF ASM.
- ⑨ WRAP BRACKET LEGS AROUND ANTENNA BASE.
- ④ SECURE WIRE BELOW COACH WITH CLAMP 10499-01-000 AND SCREW G67-10-12B.
- ③ LOCATED IN BACKWALL ASM.
- ② INSTALL WITH WIRES TOWARDS ROOF.
- 1. CONNECTOR-PLUG, TRAILER 113589-01-000 TO BE SUPPLIED LOOSE IN COACH WITH TRAILER TOW PACKAGE.

- ⑨ ADD RUBBER BUMPER TO ROOF UNDER EACH END OF ANTENNA IN THE DOWN POSITION WHICH MAY COM INTO CONTACT WITH ROOF.
- ⑧ LOCATE WIRE CLIP TO RETAIN CABLE BUT DO NOT RESTRICT ANTENNA TRAVEL.

- ⑦⑥ ENTERTAINMENT CTR/EXT CASSETTE
- ④⑧⑩ SATELLITE DISH
- ②⑥⑤ CODES/STANDARDS-CSA/CMVSS
- ②⑤⑩ A/C ROOF AIR (1) 14,800 BTU
- ①②① CODES/STANDARDS USA

FOR ELECTRICAL CALL-OUTS SEE DWG NO. 121339-01-000

①②① ②⑥⑤ 00 431A
 WIRING INSTL - BODY, I2V(EXT)
 SHEET 7 OF 7