



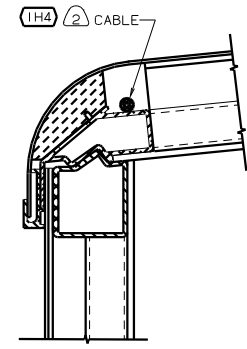
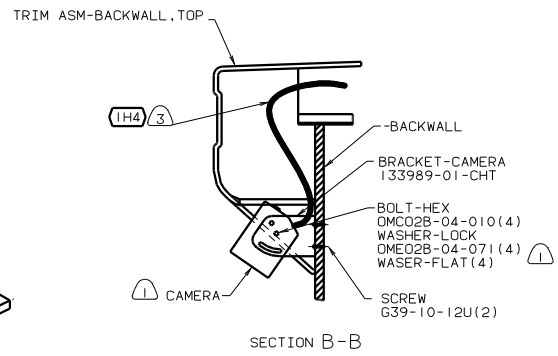
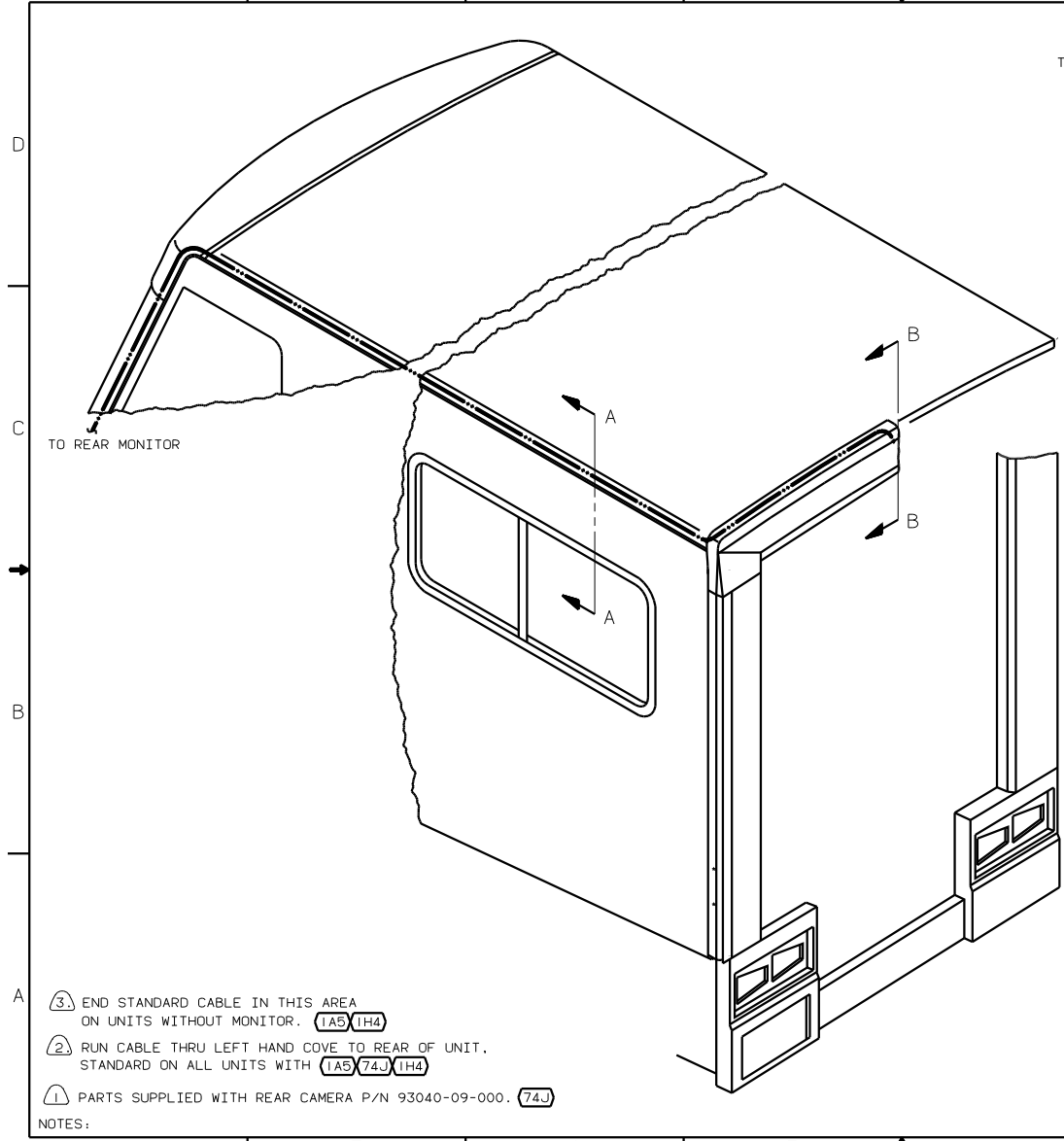
DANGER

Danger of electrical shock, burns or death. Always remove all power sources before attempting any repair, service or diagnostic work. Power can be present from shore power, generator, inverter or battery. All power sources must be disabled and secured before performing any service.



CAUTION

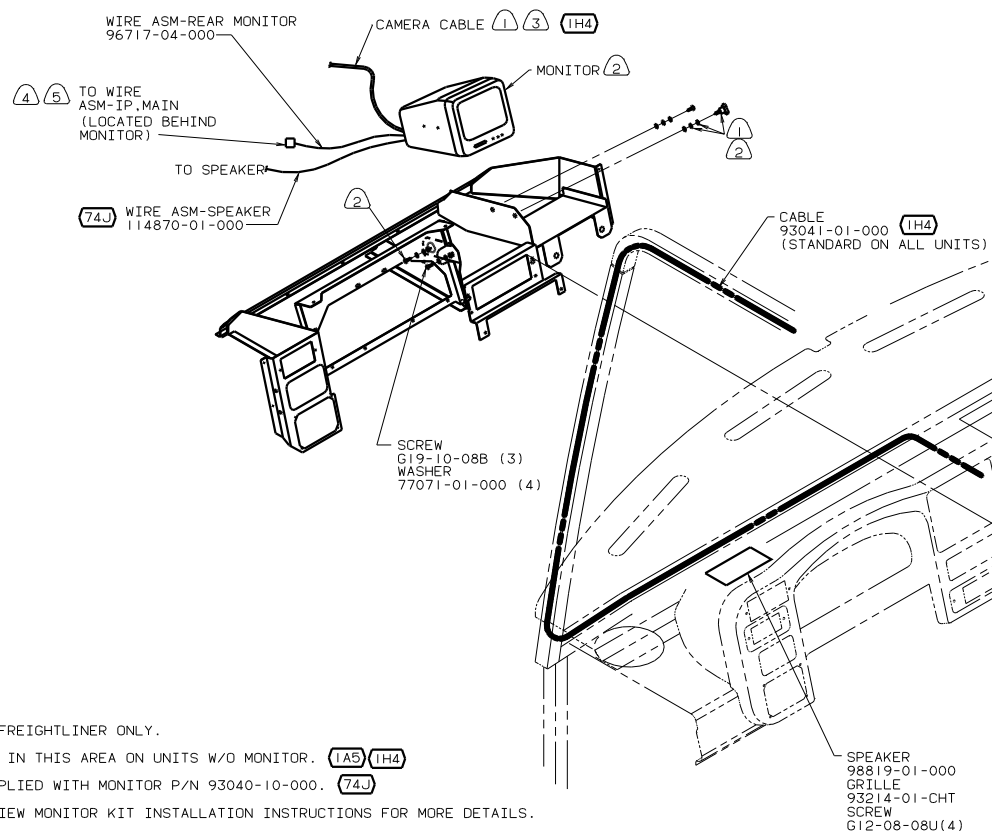
If you lack the skills, tools or equipment to perform diagnostic or repair work leave such work to an authorized Winnebago Industries dealer or other qualified shop.



- NOTES:
- (3) END STANDARD CABLE IN THIS AREA ON UNITS WITHOUT MONITOR. (1A5) (1H4)
 - (2) RUN CABLE THRU LEFT HAND COVE TO REAR OF UNIT. STANDARD ON ALL UNITS WITH (1A5) (74J) (1H4)
 - (1) PARTS SUPPLIED WITH REAR CAMERA P/N 93040-09-000. (74J)

- (1H4) REARVIEW MONITOR-WIRE PREP
- (74J) REARVIEW MONITOR SYSTEM
- (1A5) REARVIEW MONITOR SYSTEM W/O

WINNEBAGO		00 G-SERIES	
OFTR	DATE	UNSPECIFIED TOLERANCES ARE:	MATERIAL:
CHDR	DATE	WHOLE DIM (X.X)	
P E	DATE	ONE-PLACE (X.XX)	
M E	DATE	TWO-PLACE (X.XXX)	
DSNR	DATE	ANGLE	
		THIRD ANGLE PROJECTION	
LAYOUT NO. - - - - -	TITLE:		
	MONITOR INSTL		
DIA #	SCALE, NONE	TO FULL SCALE (CONTR.)	SIZE
ALL DIMENSIONS ARE IN MILLIMETERS		SHEET 1 OF 2	10
		REF: 129581	132639



- NOTES:
- (4) FORD AND FREIGHTLINER ONLY.
 - (3) END CABLE IN THIS AREA ON UNITS W/O MONITOR. (1A5) (IH4)
 - (2) PARTS SUPPLIED WITH MONITOR P/N 93040-10-000. (74J)
 - (1) SEE REARVIEW MONITOR KIT INSTALLATION INSTRUCTIONS FOR MORE DETAILS.

00 G-SERIES

TITLE:		MONITOR INSTL	
DO NOT SCALE DIMENSIONS	SCALE:	DWG NO	132639
SHEET 2 OF 2			