



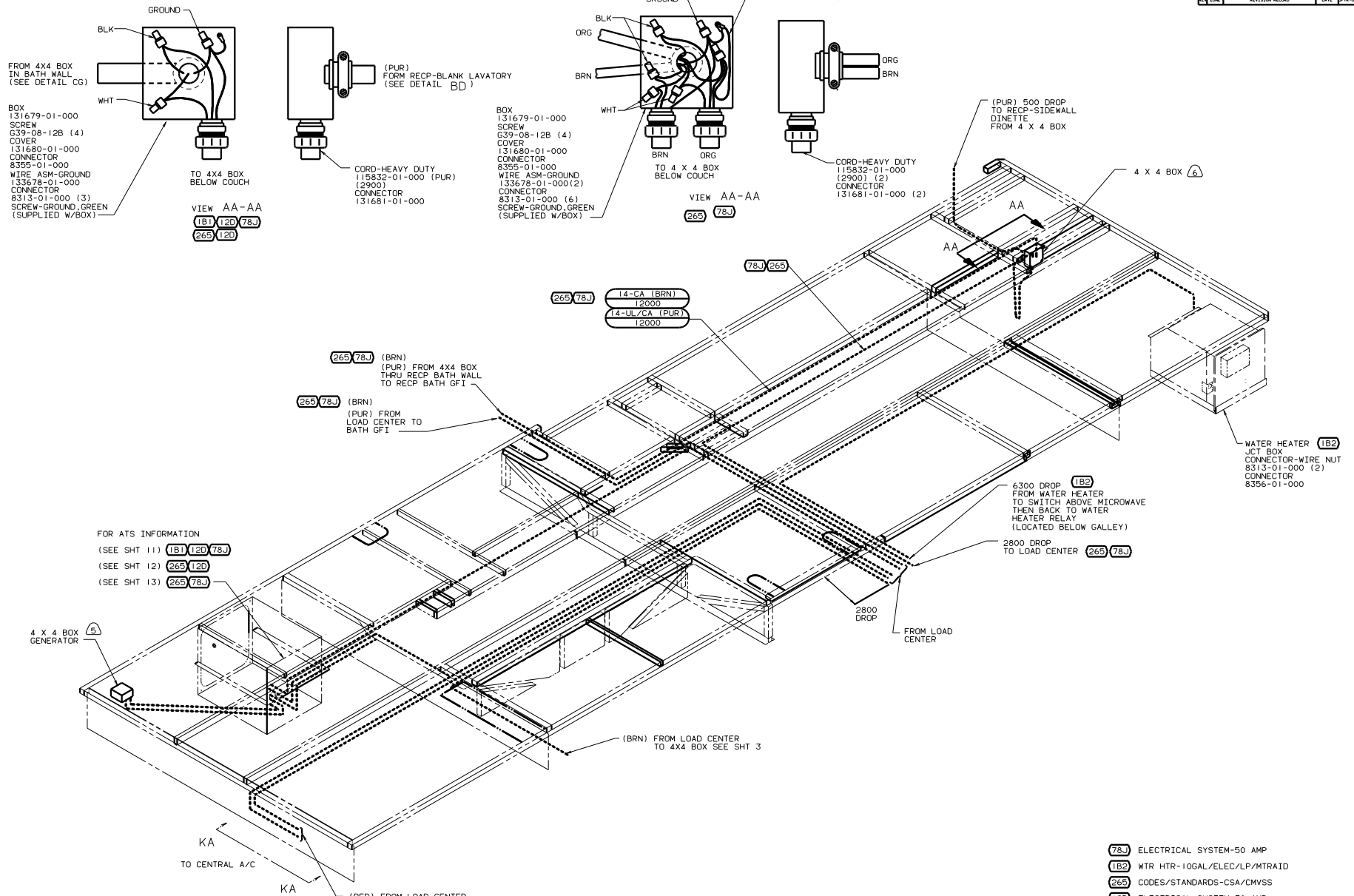
DANGER

Danger of electrical shock, burns or death. Always remove all power sources before attempting any repair, service or diagnostic work. Power can be present from shore power, generator, inverter or battery. All power sources must be disabled and secured before performing any service.



CAUTION

If you lack the skills, tools or equipment to perform diagnostic or repair work leave such work to an authorized Winnebago Industries dealer or other qualified shop.



6. MOUNT ON OUTER SIDE OF PANEL.
5. SEE GENERATOR INSTALLATION FOR ADDITIONAL INFORMATION.
4. SEE WIRING DIAGRAM-BODY FOR ADDITIONAL INFORMATION.
3. ALL GROUND WIRES ARE TO BE COVERED WITH TUBING 8041-02-000.
2. ALL WIRES ARE TO BE CLAMPED WITH CLAMP 10497-05-000 WITHIN 200 OF OUTLET BOXES AND SPLICES, USE SCREW G67-10-12B OR G39-10-12B.
1. ALL WIRE TO BE CLAMPED WITH CLAMP 10495-01-000 OR CLIP 80734-02-000 EVERY 600, USE SCREW G67-10-12B UNLESS OTHERWISE SPECIFIED.

78J ELECTRICAL SYSTEM-50 AMP
182 WTR HTR-10GAL/ELEC/LP-MTR/RAID
265 CODES/STANDARDS-CSA/CMVSS
120 ELECTRICAL SYSTEM 30 AMP
181 CODES/STANDARDS USA

181 120 78J 265

WINNEBAGO 00 G35U

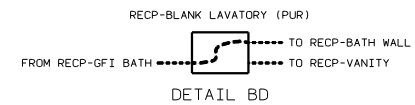
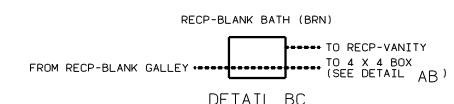
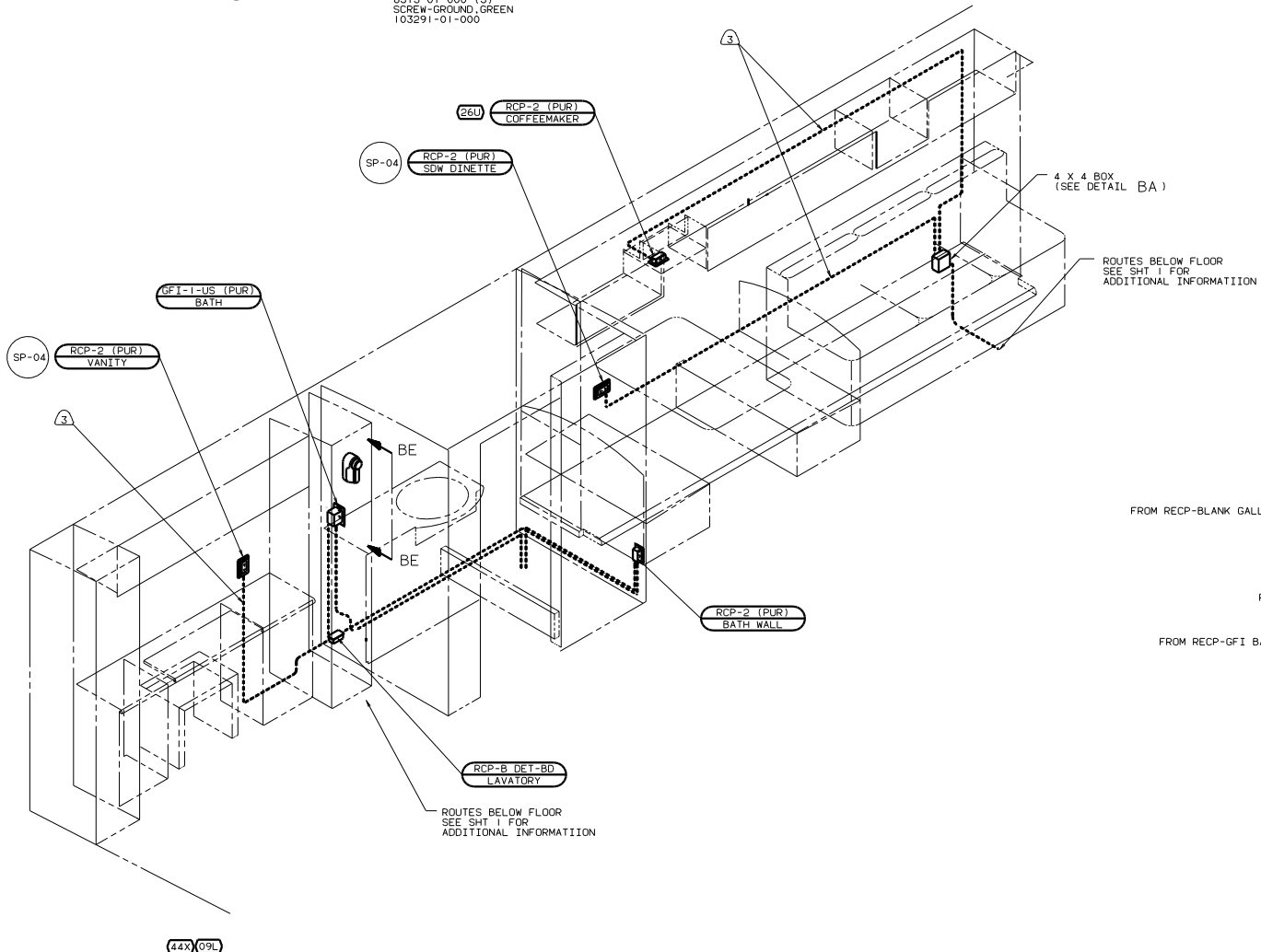
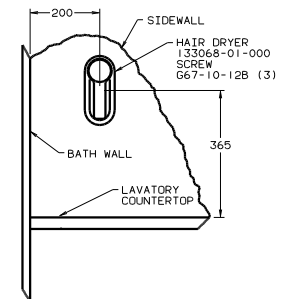
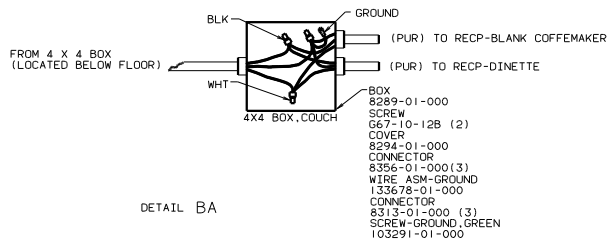
OF IN	DATE	UNSPECIFIED TOLERANCES ARE:	MATERIAL
CHP	DATE	WHOLE OR 1/16"	
FPE	DATE	ONE-PLACE (1/32)"	
FVE	DATE	TWO-PLACE (1/64)"	
DATE	DATE	ANGLE	
DATE	DATE	INDIC. W/ANGLE	
DATE	DATE	PRODUCTION	

FOR ELECTRICAL TORQUE SPECIFICATIONS SEE DWG NO. 128783-01-000

FOR ELECTRICAL CALLOUTS SEE DWG NO. 121339-01-000

WIRING INSTL-BODY, 110V(BL)

SHEET 1 OF 13



- (51B) HAIR DRYER
- (78J) ELECTRICAL SYSTEM-50 AMP
- (26U) COFFEE MAKER
- (44X) BED-QUEEN SIDEWALL
- (12D) ELECTRICAL SYSTEM 30 AMP
- (1E3) ENERGY MANAGEMENT SYSTEM
- (1B1) CODES/STANDARDS USA
- (09L) SLIDEOUT ROOM FRONT LEFT

- NOTES:
1. ALL WIRE ROUTED ABOVE FLOOR TO BE CLAMPED WITH CLAMP 10495 AND SCREW G67-10-12B OR TIED WITH WIRE TIE 8343 AS REQUIRED AT LEAST EVERY 700MM OR AS OTHERWISE SPECIFIED.
 2. ALL WIRES ARE TO BE CLAMPED WITH CLAMP 10495 WITHIN 200 OF OUTLET BOXES, USE SCREW G67-10-12B.
 3. WIRE IN SIDEWALL.

FOR ELECTRICAL TORQUE SPECIFICATIONS SEE DWG NO. 128763-01-000

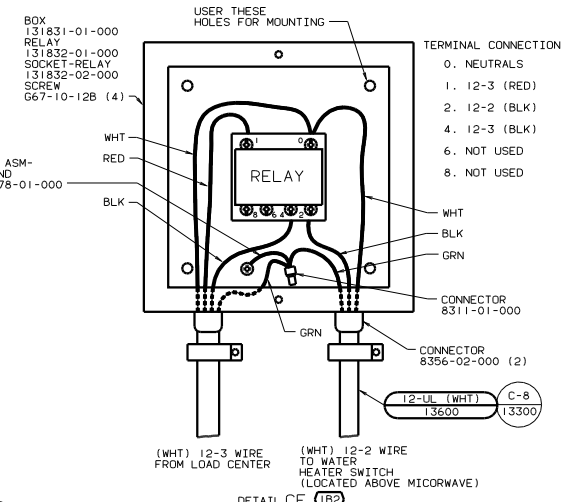
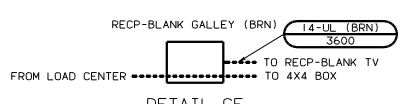
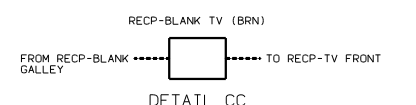
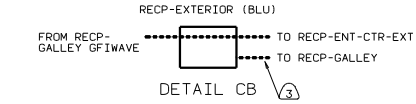
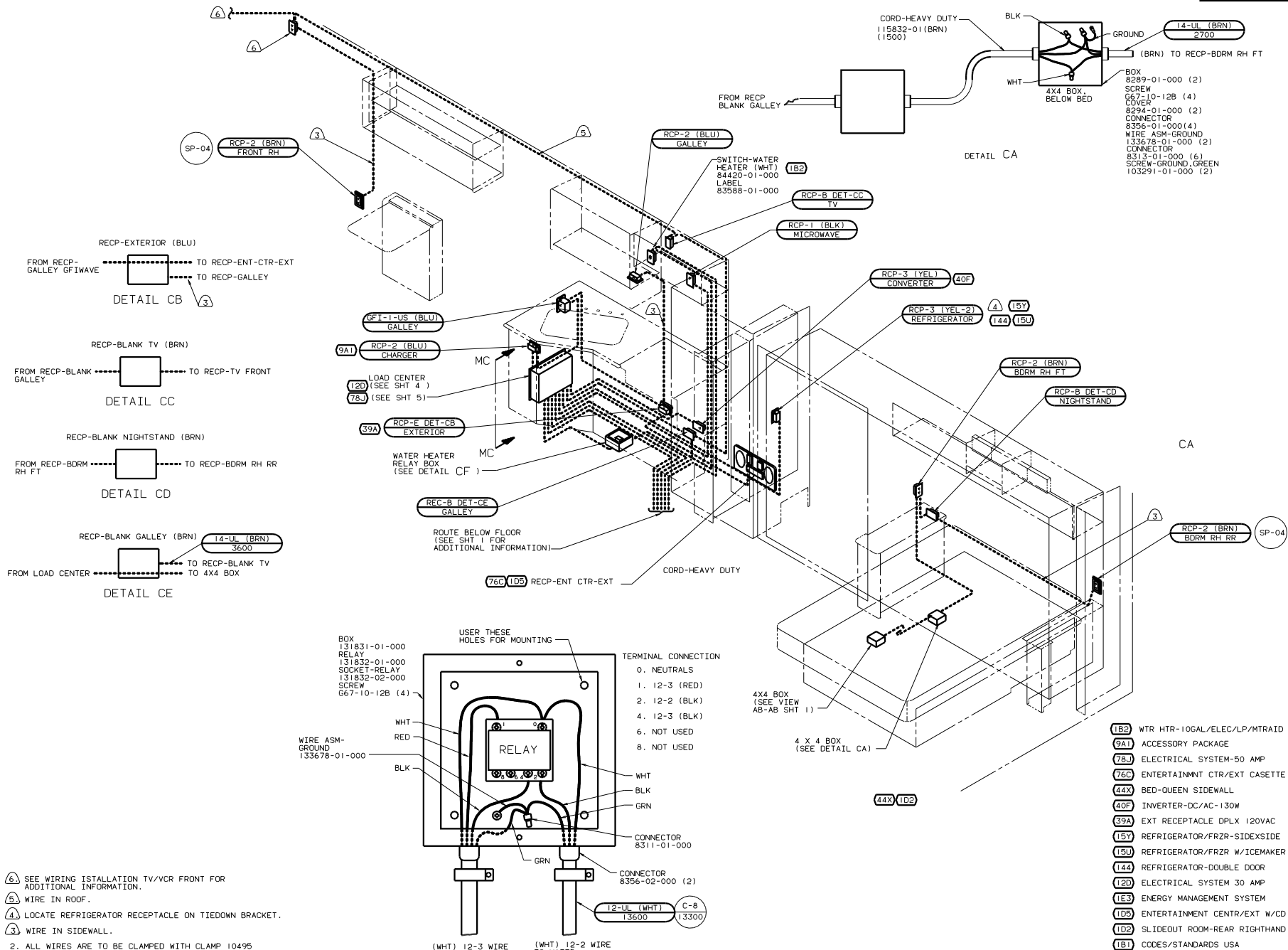
FOR ELECTRICAL CALLOUTS SEE DWG NO. 121339-01-000

00 G35U (1B1) (78J) (12D)

WIRING INSTL-RDY (L30/50US)

SHEET 2 OF 13

132293



- NOTES:
- ①. ALL WIRE ROUTED ABOVE FLOOR TO BE CLAMPED WITH CLAMP 10495 WITHIN 200 OF OUTLET BOXES. USE SCREW 667-10-12B.
 - ②. ALL WIRES ARE TO BE CLAMPED WITH CLAMP 10495 WITHIN 200 OF OUTLET BOXES. USE SCREW 667-10-12B.
 - ③. WIRE IN SIDEWALL.
 - ④. LOCATE REFRIGERATOR RECEPTACLE ON TIEDOWN BRACKET.
 - ⑤. WIRE IN ROOF.
 - ⑥. SEE WIRING INSTALLATION TV/VCR FRONT FOR ADDITIONAL INFORMATION.

FOR ELECTRICAL TORQUE SPECIFICATIONS SEE DWG NO. 128783-01-000

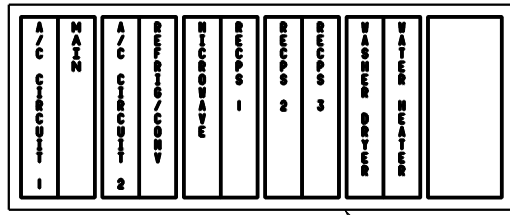
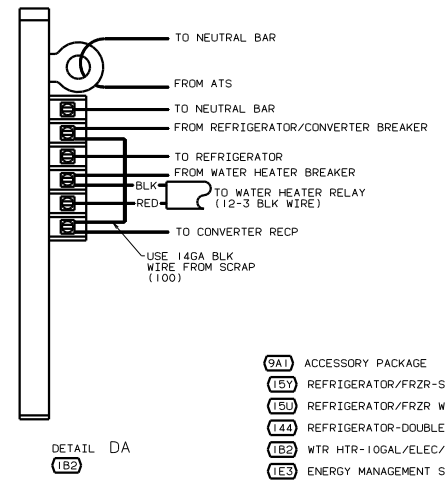
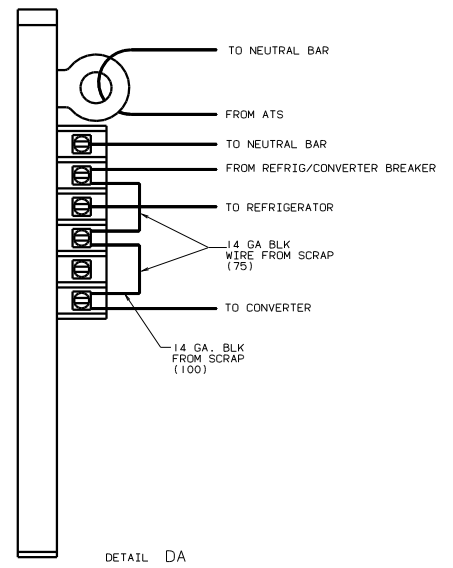
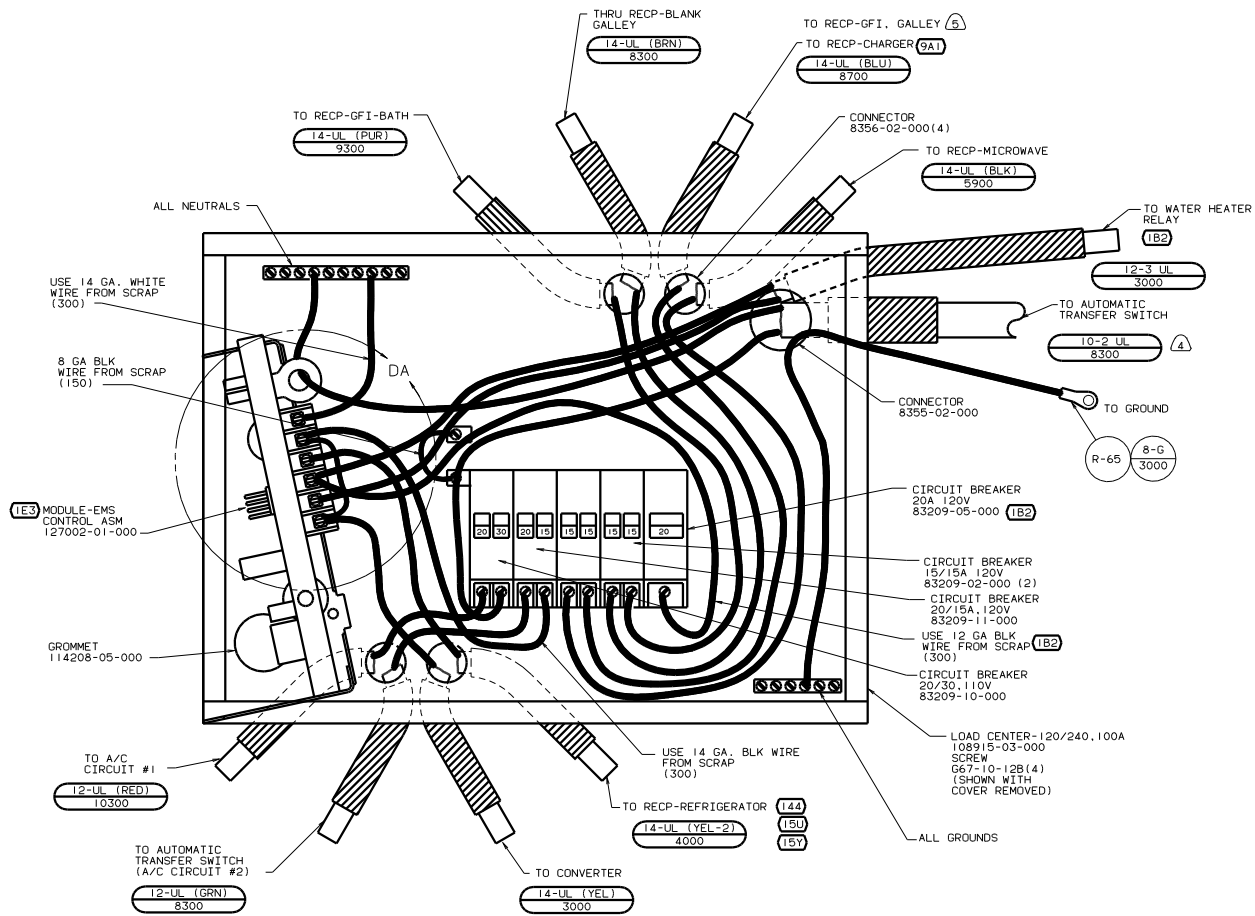
FOR ELECTRICAL CALLOUTS SEE DWG NO. 121339-01-000

- ①B2 WTR HTR-10GAL/ELEC/LP/MTR/IDA
- ⑨A1 ACCESSORY PACKAGE
- ⑦8J ELECTRICAL SYSTEM-50 AMP
- ⑦6C ENTERTAINMENT CTR/EXT CASSETTE
- ④4X BED-QUEEN SIDEWALL
- ④0F INVERTER-DC/AC-130W
- ③9A EXT RECEPTACLE DPLX 120VAC
- ①B3 REFRIGERATOR/FRZR-SIDEKSIDE
- ①B5 REFRIGERATOR/FRZR W/ICEMAKER
- ①44 REFRIGERATOR-DOUBLE DOOR
- ①2D ELECTRICAL SYSTEM 30 AMP
- ①E3 ENERGY MANAGEMENT SYSTEM
- ①D5 ENTERTAINMENT CTR/EXT W/CD
- ①D2 SLIDEOUT ROOM-REAR RIGHTHAND
- ①B1 CODES/STANDARDS USA

00 G35U ①B1 ①D2 ⑦8J

WIRING INSTL-BODY. (R30/50US)

132293



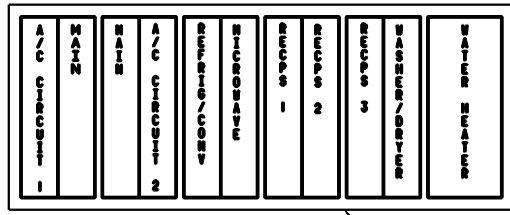
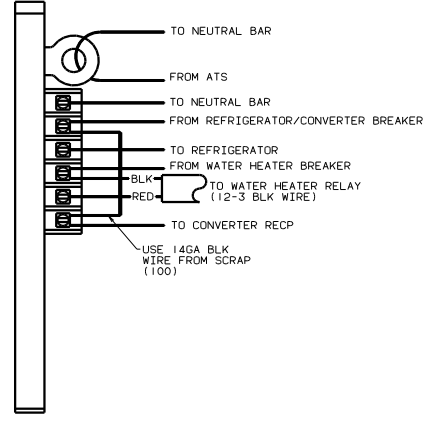
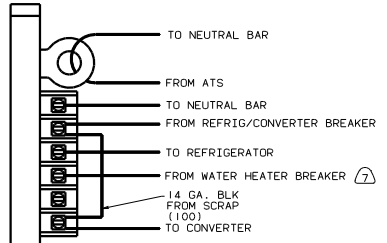
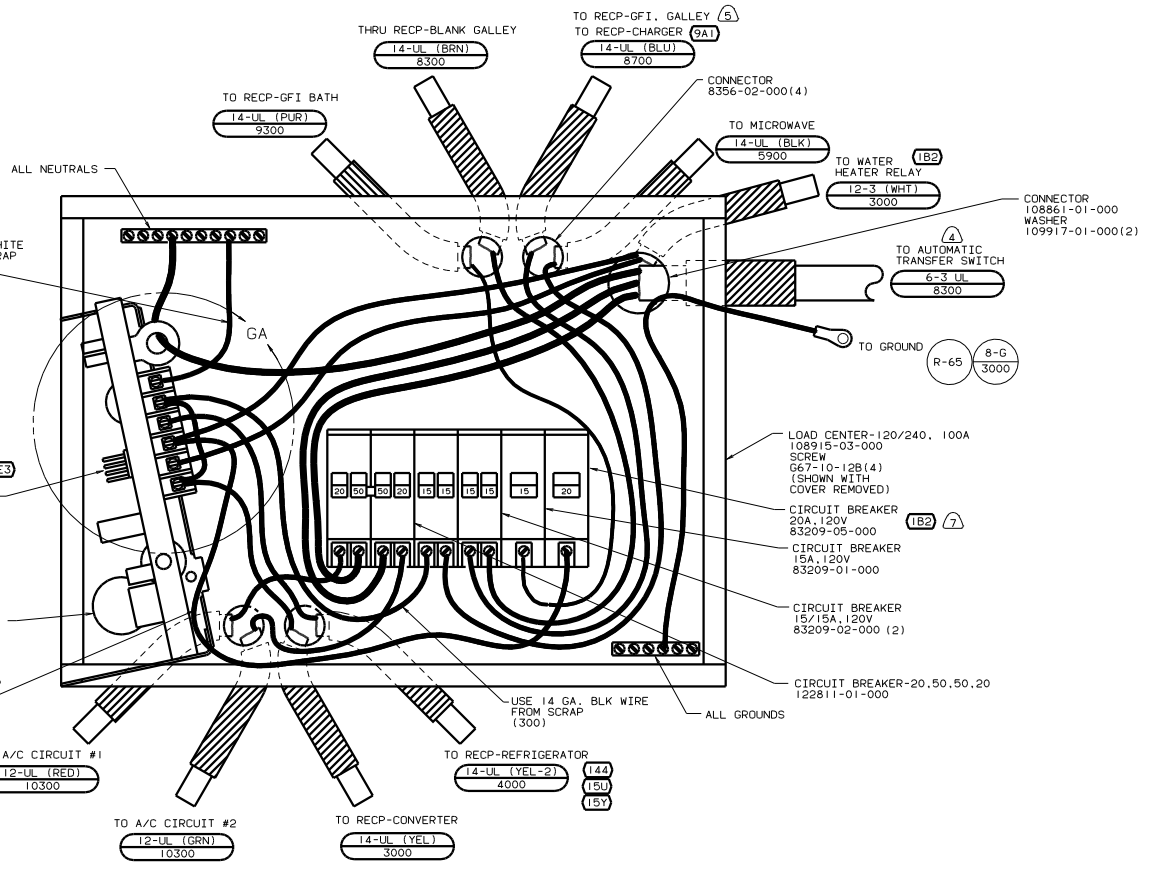
INSTALL LABEL ON FRONT PANEL BELOW BREAKERS BETWEEN MOUNTING HOLES

- (A) WIRE TIE THE FOLLOWING WIRES FOR THE FIRST 2000MM; RED, GREEN, PURPLE, BROWN, 10/2; BLACK, YELLOW, YELLOW-2, WHITE, BLUE. LEAVE A 2000 LOOP IN BLUE WIRE BEHIND LOAD CENTER.
- (B) WITHOUT (9A1)
- (4) WIRE MUST BE 600 LONG INSIDE BOX, ALL OTHERS TO BE 300.
3. ALL CABLES SHALL BE COVERED WITH CONDUIT-CONVOLUTE, SLIT 41953-01-000 UNLESS OTHERWISE SPECIFIED. 600 LESS THAN CABLE LENGTH.
2. ATTACH WIRES TO BACKSIDE OF LOAD CENTER. USE EXISTING HOLES AND TIE-WIRE 116673-01-000.
1. ALL GROUND WIRES TO BE COVERED WITH TUBING 8041-02-000.

- (9A1) ACCESSORY PACKAGE
- (15Y) REFRIGERATOR/FRZR-SIDEXSIDE
- (15U) REFRIGERATOR/FRZR W/ICEMAKER
- (144) REFRIGERATOR-DOUBLE DOOR
- (1B2) WTR HTR-10GAL/ELEC/LP/MTR/AID
- (1E3) ENERGY MANAGEMENT SYSTEM
- (120) ELECTRICAL SYSTEM 30 AMP
- (1B1) CODES/STANDARDS USA
- 00 G35U (1B1) (120)

FOR ELECTRICAL TORQUE SPECIFICATIONS SEE DWG NO. 128783-01-000

FOR ELECTRICAL CALLOUTS SEE DWG NO. 121339-01-000



INSTALL LABEL ON FRONT PANEL BELOW BREAKERS BETWEEN MOUNTING HOLES

LABEL 95721-33-000

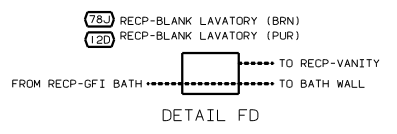
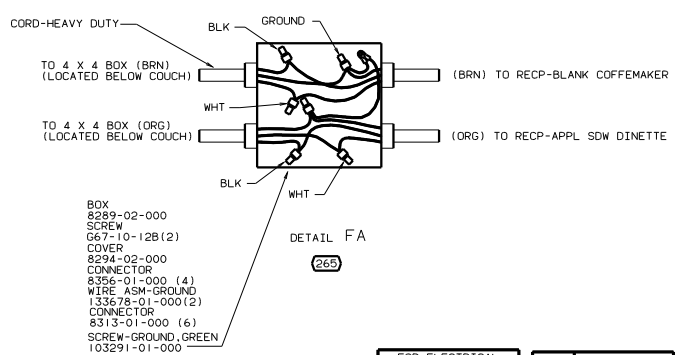
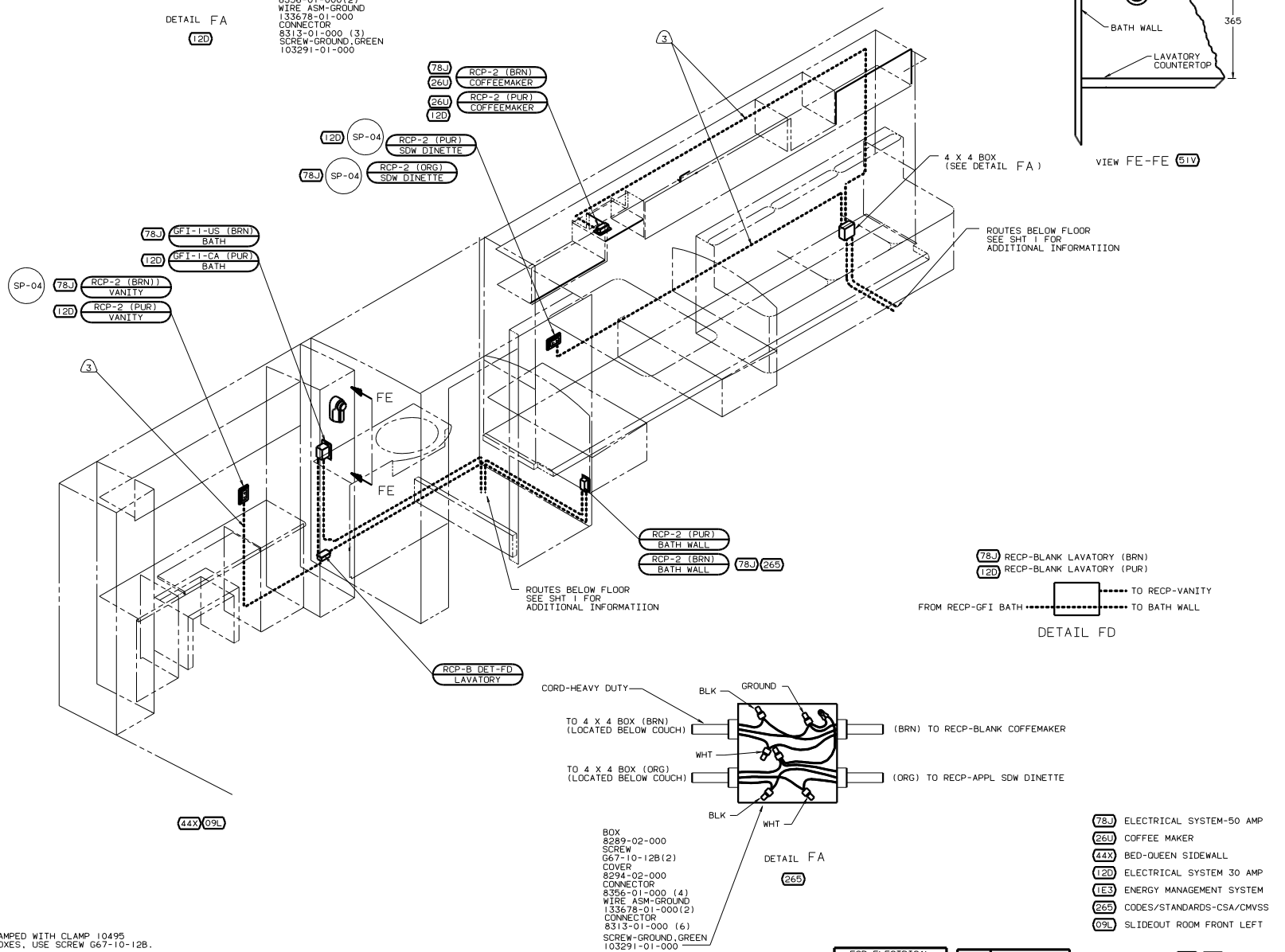
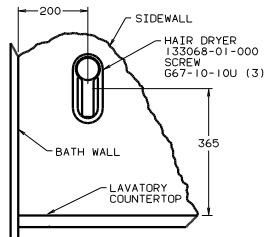
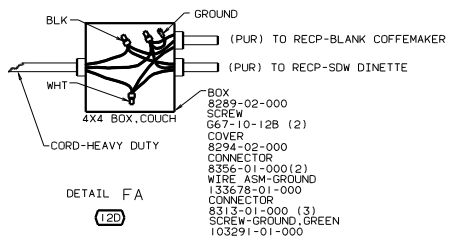
- ⑦ THIS BREAKER MUST BE INSTALLED AND WIRED TO EMS EVEN WITHOUT (IB2).
- ⑥ WIRE TIE THE FOLLOWING WIRES FOR THE FIRST 200MM: RED, GREEN, PURPLE, BROWN, 6/3; BLACK, YELLOW, YELLOW-2, WHITE, BLUE. LEAVE A 2200 LOOP IN BLUE WIRE BEHIND LOAD CENTER.
- ⑤ WITHOUT (9A1)
- ④ WIRE MUST BE 600 LONG INSIDE BOX, ALL OTHERS TO BE 300.
- 3. ALL CABLES SHALL BE COVERED WITH CONDUIT-CONVOLUTE, SLIT 41953-01-000 UNLESS OTHERWISE SPECIFIED. 600 LESS THAN CABLE LENGTH.
- 2. ATTACH WIRES TO BACKSIDE OF LOAD CENTER. USE EXISTING HOLES AND TIE-WIRE 116673-01-000.
- 1. ALL GROUND WIRES TO BE COVERED WITH TUBING 8041-02-000.

- (9A1) ACCESSORY PACKAGE
- (78J) ELECTRICAL SYSTEM-50 AMP
- (15Y) REFRIGERATOR/FRZR-SIDEXSIDE
- (15U) REFRIGERATOR/FRZR W/ICEMAKER
- (144) REFRIGERATOR-DOUBLE DOOR
- (1E3) ENERGY MANAGEMENT SYSTEM
- (1B2) WTR HTR-10GAL/ELEC/LP/MTRAIID
- (1B1) CODES/STANDARDS USA

FOR ELECTRICAL TORQUE SPECIFICATIONS SEE DWG NO. 128783-01-000

FOR ELECTRICAL CALLOUTS SEE DWG NO. 121339-01-000

00 G35U (1B1) (78J)
 WIRING INSTL-BODY, 110V (LC50US)
 SHEET 5 OF 13
 132293



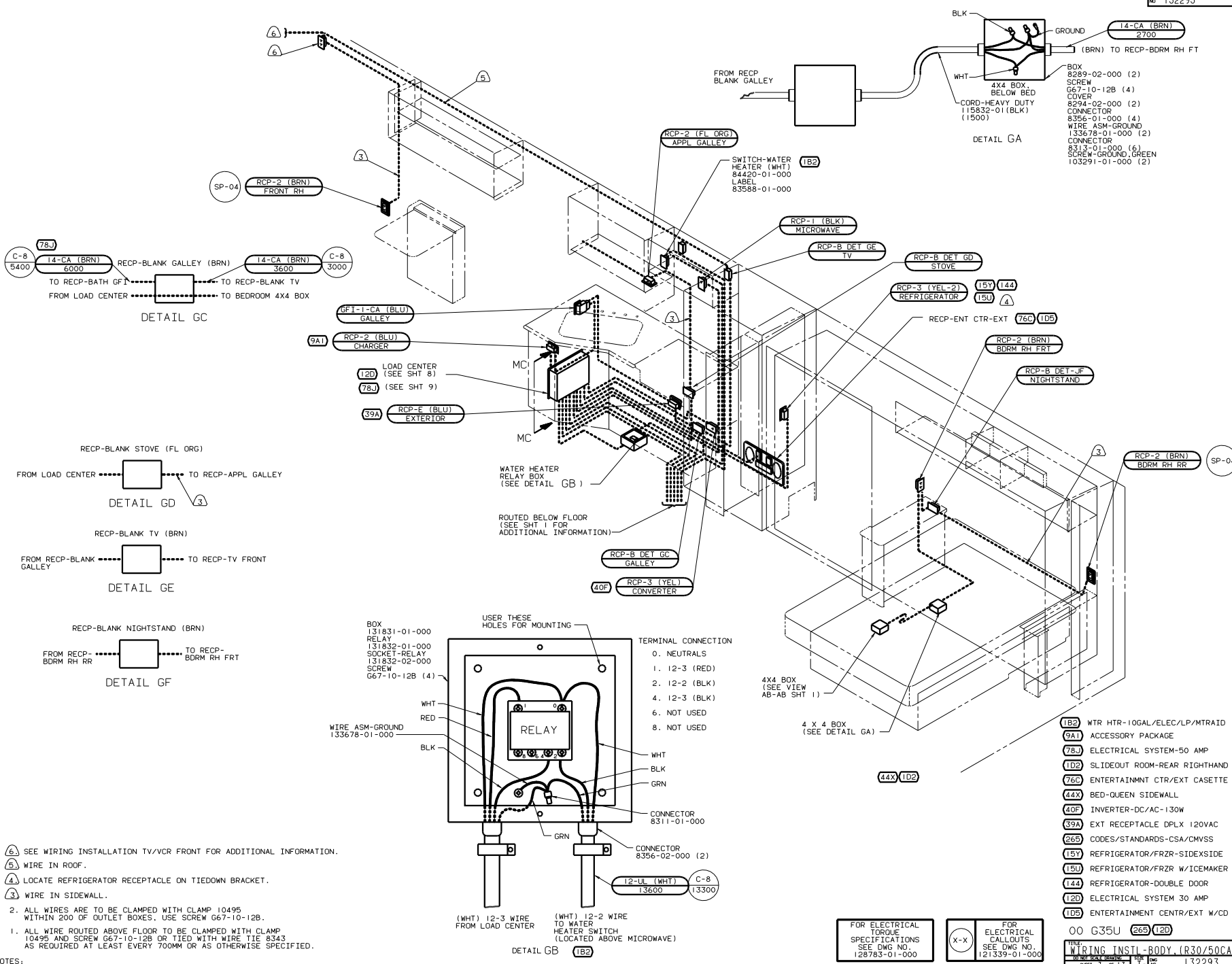
- 3 WIRE IN SIDEWALL.
2. ALL WIRES ARE TO BE CLAMPED WITH CLAMP 10495 WITHIN 200 OF OUTLET BOXES, USE SCREW 667-10-12B.
1. ALL WIRE ROUTED ABOVE FLOOR TO BE CLAMPED WITH CLAMP 10495 AND SCREW 667-10-12B OR TIED WITH WIRE TIE 8343 AS REQUIRED AT LEAST EVERY 700MM OR AS OTHERWISE SPECIFIED.

- (78J) ELECTRICAL SYSTEM-50 AMP
- (26U) COFFEE MAKER
- (44X) BED-QUEEN SIDEWALL
- (12D) ELECTRICAL SYSTEM 30 AMP
- (1E3) ENERGY MANAGEMENT SYSTEM
- (265) CODES/STANDARDS-CSA/CMVSS
- (09L) SLIDEOUT ROOM FRONT LEFT

FOR ELECTRICAL TORQUE SPECIFICATIONS SEE DWG NO. 128783-01-000

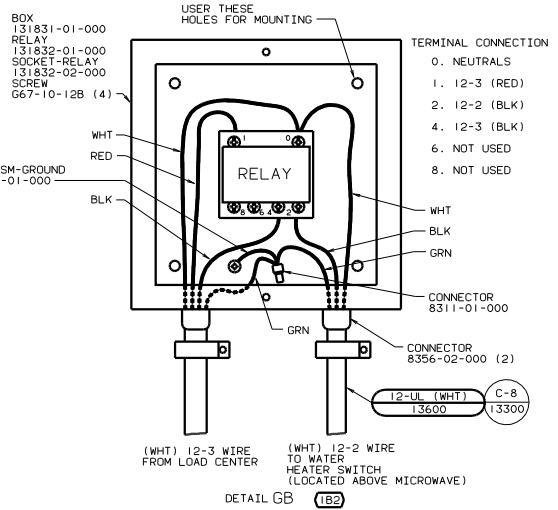
FOR ELECTRICAL CALLOUTS SEE DWG NO. 121339-01-000

00 G35U (265) (12D) (78J)
 WIRING INSTL-BODY (L30/50CA)
 SHEET 6 OF 13
 132293



- ⑥ SEE WIRING INSTALLATION TV/VCR FRONT FOR ADDITIONAL INFORMATION.
 - ⑤ WIRE IN ROOF.
 - ④ LOCATE REFRIGERATOR RECEPTACLE ON TIEDOWN BRACKET.
 - ③ WIRE IN SIDEWALL.
2. ALL WIRES ARE TO BE CLAMPED WITH CLAMP 10495 WITHIN 200 OF OUTLET BOXES. USE SCREW 667-10-12B.
1. ALL WIRE ROUTED ABOVE FLOOR TO BE CLAMPED WITH CLAMP 10495 AND SCREW 667-10-12B OR TIED WITH WIRE TIE 8343 AS REQUIRED AT LEAST EVERY 700MM OR AS OTHERWISE SPECIFIED.

NOTES:



DETAIL GB (1B2)

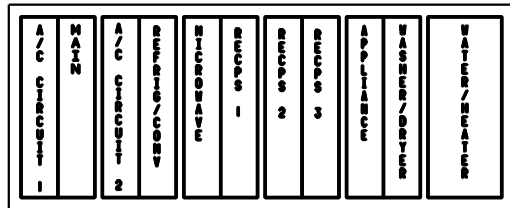
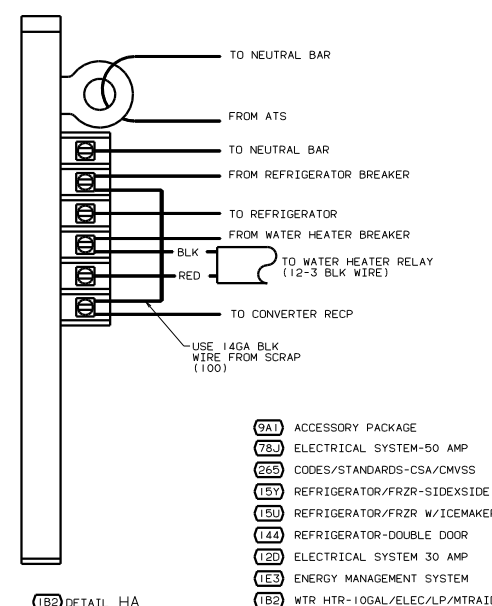
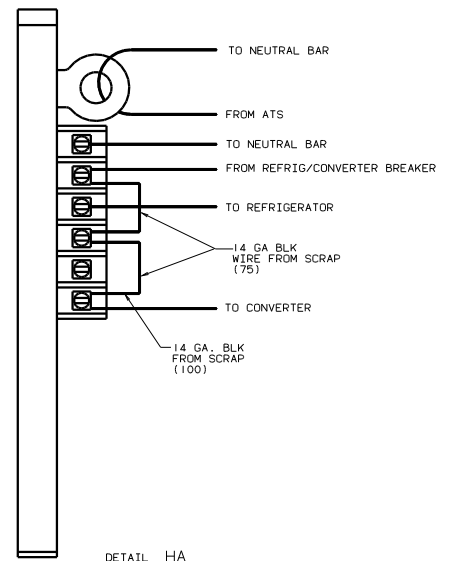
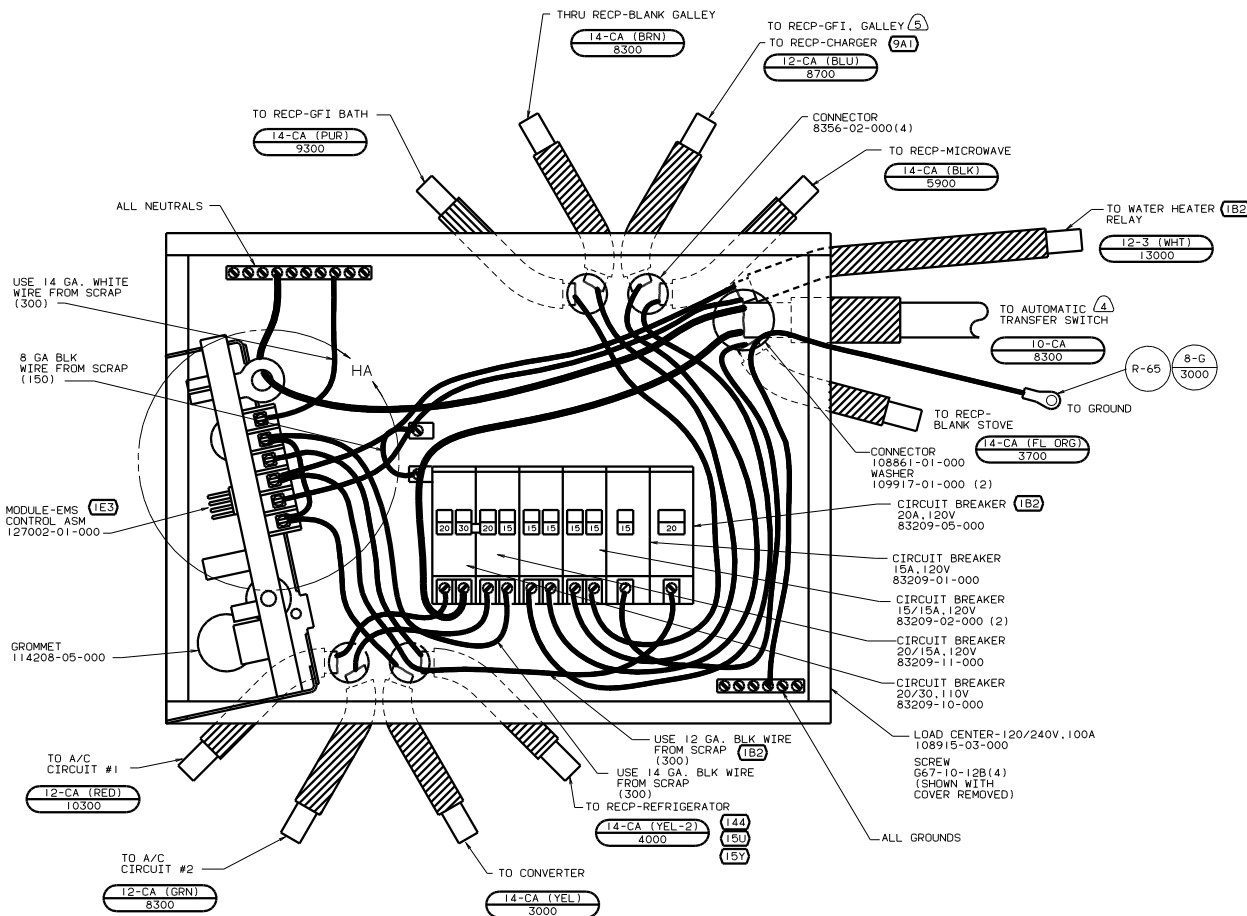
FOR ELECTRICAL TORQUE SPECIFICATIONS SEE DWG NO. 128783-01-000

FOR ELECTRICAL CALLOUTS SEE DWG NO. 121339-01-000

00 G35U (265) (120)

WIRING INSTL-BODY (R30/50CA)

132293



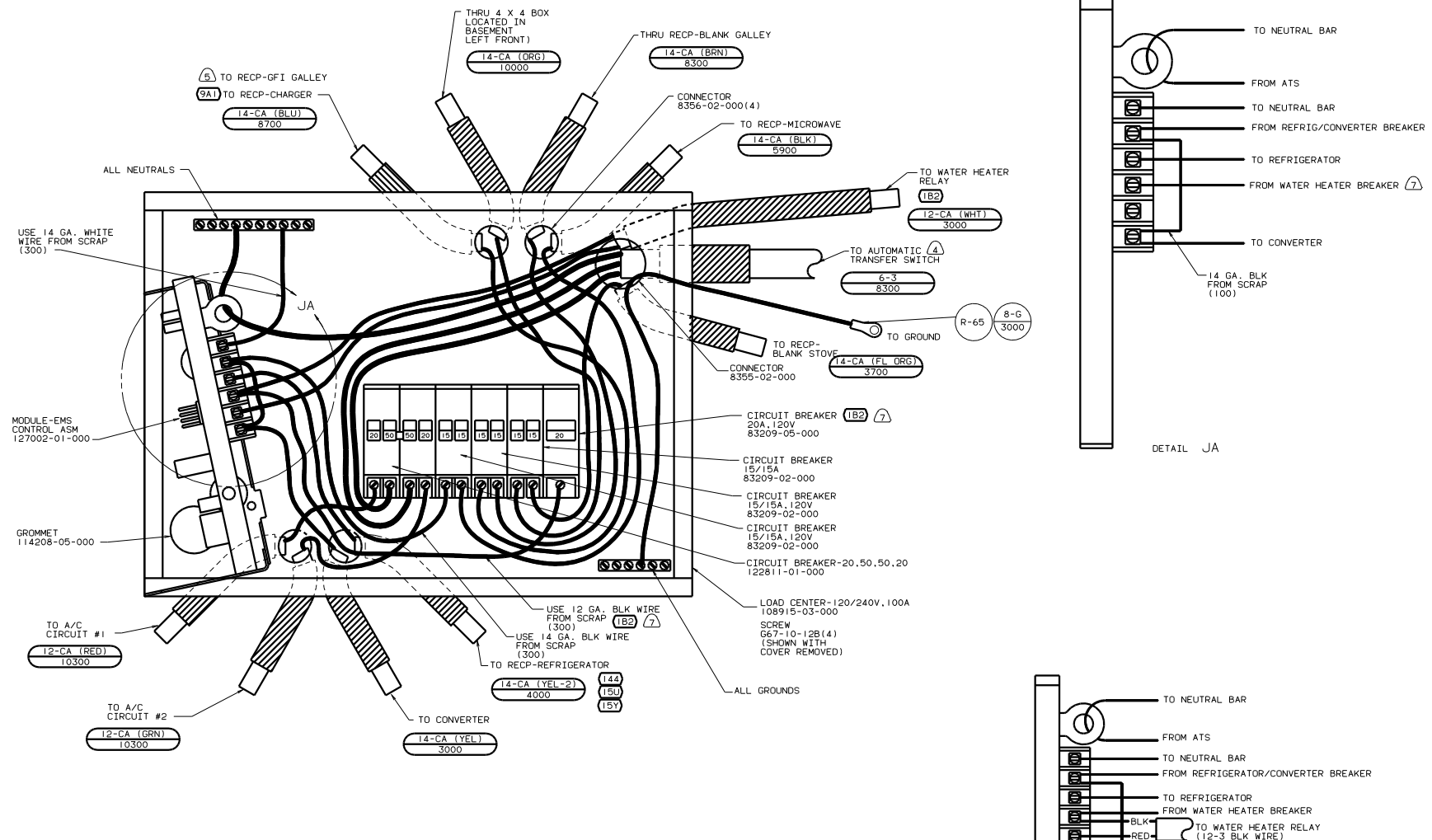
INSTALL LABEL ON FRONT PANEL BELOW BREAKERS BETWEEN MOUNTING HOLES

LABEL 95721-35-000

- WIRE TIE THE FOLLOWING WIRES FOR THE FIRST 2000MM; RED, GREEN, PURPLE, BROWN, 10/2; BLACK, YELLOW, YELLOW-2, WHITE, BLUE. LEAVE A 2200 LOOP IN BLUE WIRE BEHIND LOAD CENTER.
- WITHOUT (9A1)
- WIRE MUST BE 600 LONG INSIDE BOX, ALL OTHERS TO BE 300.
- ALL CABLES SHALL BE COVERED WITH CONDUIT-CONVOLUTE, SLIT 41953-01-000 UNLESS OTHERWISE SPECIFIED, 600 LESS THAN CABLE LENGTH.
- ATTACH WIRES TO BACKSIDE OF LOAD CENTER, USE EXISTING HOLES AND TIE-WIRE 116673-01-000.
- ALL GROUND WIRES TO BE COVERED WITH TUBING 8041-02-000.

- (9A1) ACCESSORY PACKAGE
- (78J) ELECTRICAL SYSTEM-50 AMP
- (265) CODES/STANDARDS-CSA/CMVSS
- (15Y) REFRIGERATOR/FRZR-SIDEXSIDE
- (15U) REFRIGERATOR/FRZR W/ICEMAKER
- (144) REFRIGERATOR-DOUBLE DOOR
- (12D) ELECTRICAL SYSTEM 30 AMP
- (1E3) ENERGY MANAGEMENT SYSTEM
- (1B2) WTR HTR-10GAL/ELEC/LP/MTR/AID

00 G35U (12D)(265)



A/C CIRCUIT 1	WTR HTR	WTR HTR	A/C CIRCUIT 2	REFRIG/CONV	MICROWAVE	RECP 1	RECP 2	APPLIANCE 1	APPLIANCE 2	WATER HEATER	WATER HEATER
---------------	---------	---------	---------------	-------------	-----------	--------	--------	-------------	-------------	--------------	--------------

INSTALL LABEL ON FRONT PANEL BELOW BREAKERS BETWEEN MOUNTING HOLES

LABEL 95721-36-000

- 1. ALL GROUND WIRES TO BE COVERED WITH TUBING 8041-02-000.
- 2. ATTACH WIRES TO BACKSIDE OF LOAD CENTER. USE EXISTING HOLES AND TIE-WIRE 116673-01-000.
- 3. ALL CABLES SHALL BE COVERED WITH CONDUIT-CONVOLUTE, SLIT 41953-01-000 UNLESS OTHERWISE SPECIFIED. 600 LESS THAN CABLE LENGTH.
- 4. WIRE MUST BE 600 LONG INSIDE BOX, ALL OTHERS TO BE 300.
- 5. WITHOUT (9A)
- 6. WIRE TIE THE FOLLOWING WIRES FOR THE FIRST 2000MM; RED, GREEN, PURPLE, BROWN, 6/3; BLACK, YELLOW, YELLOW-2, WHITE, BLUE. LEAVE A 200 LOOP IN BLUE WIRE BEHIND LOAD CENTER.
- 7. THIS BREAKER MUST BE INSTALLED AND WIRED TO EMS EVEN WITHOUT (1B2).

- (78J) ELECTRICAL SYSTEM-50 AMP
- (480) FLASHLIGHT
- (265) CODES/STANDARDS-CSA/CMVSS
- (228) VACUUM CLEANER-PORTABLE
- (157) REFRIGERATOR/FRZR-SIDEXSIDE
- (150) REFRIGERATOR/FRZR W/ICEMAKER
- (144) REFRIGERATOR-DOUBLE DOOR
- (1B2) WTR HTR-10GAL/ELEC/LP/MTRAIID

FOR ELECTRICAL TORQUE SPECIFICATIONS SEE DWG NO. 128783-01-000

X-X

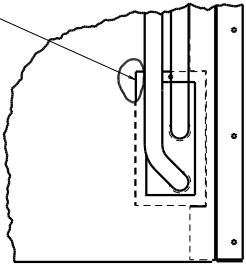
FOR ELECTRICAL CALLOUTS SEE DWG NO. 121339-01-000

00 G35U (265) (78J)

WIRING INSTL-BODY, 110V(LC50CA)

132293

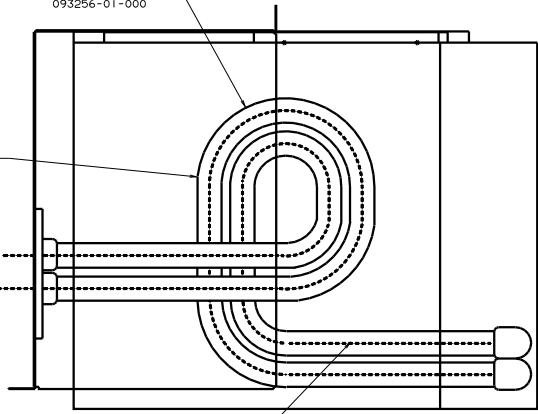
PLATE-MOUNTING CONDUIT
106597-01-000
SCREW
G11-08-128(4)



ROUTE-EXTRA CONDUIT
AS SHOWN AND
SECURE TOGETHER
WITH EXTRA 12V
CONTROL WIRING WITH
TIE-WIRE
8343-02-000

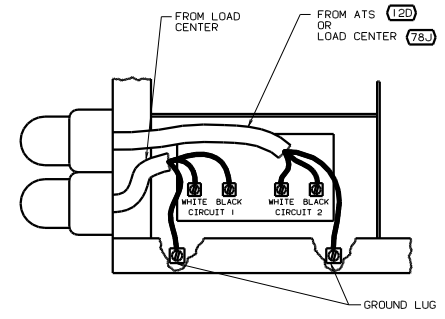
FROM ATS
OR
LOAD CENTER
FROM LOAD
CENTER

CONDUIT
91234-01-000
(1500)
CONNECTOR
91235-01-000
CONNECTOR
093256-01-000



CONDUIT
91234-01-000
(1500)
CONNECTOR
91235-01-000
CONNECTOR
093256-01-000

VIEW KA-KA



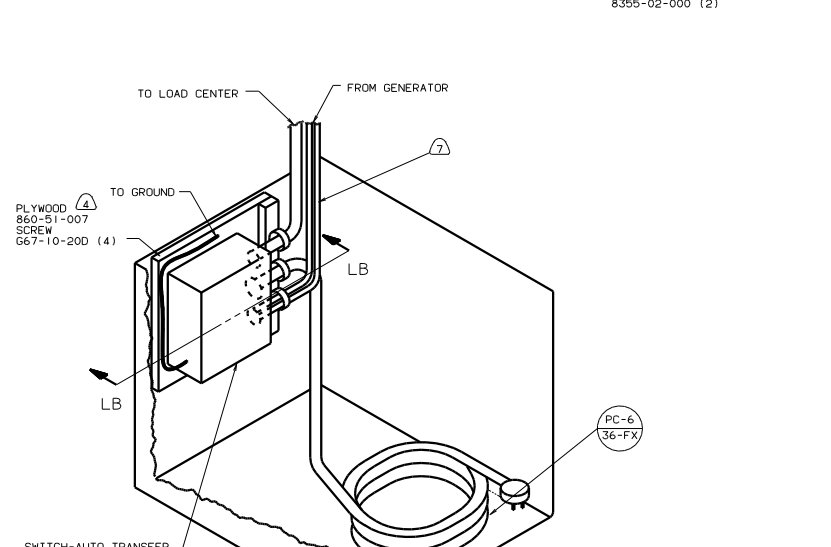
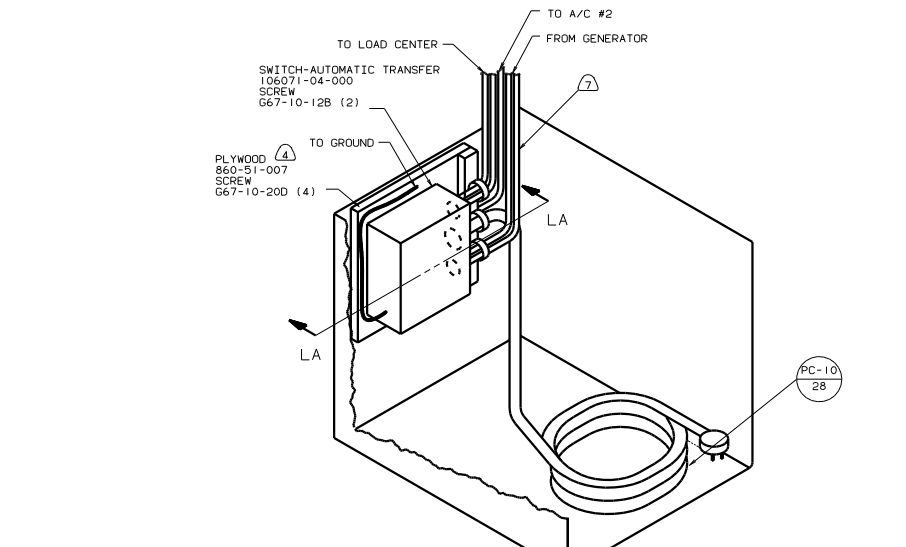
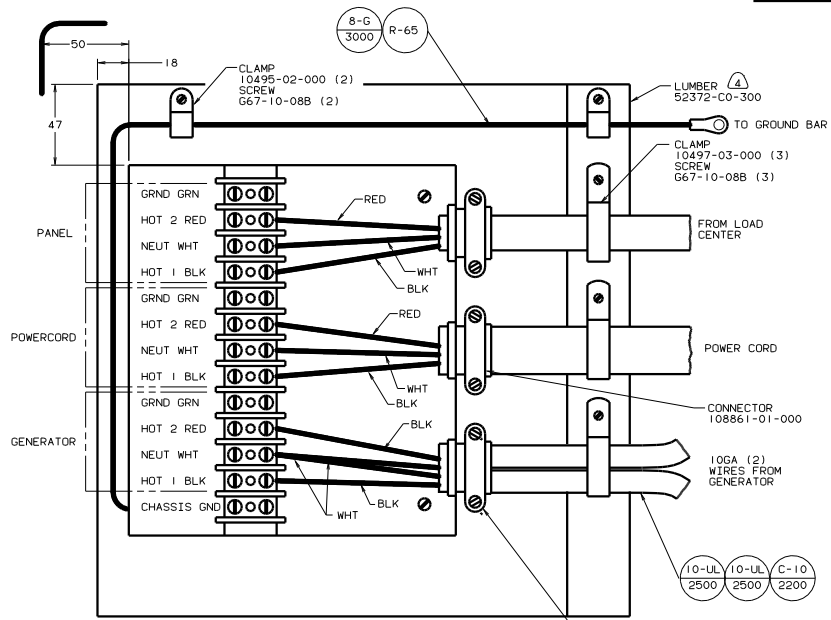
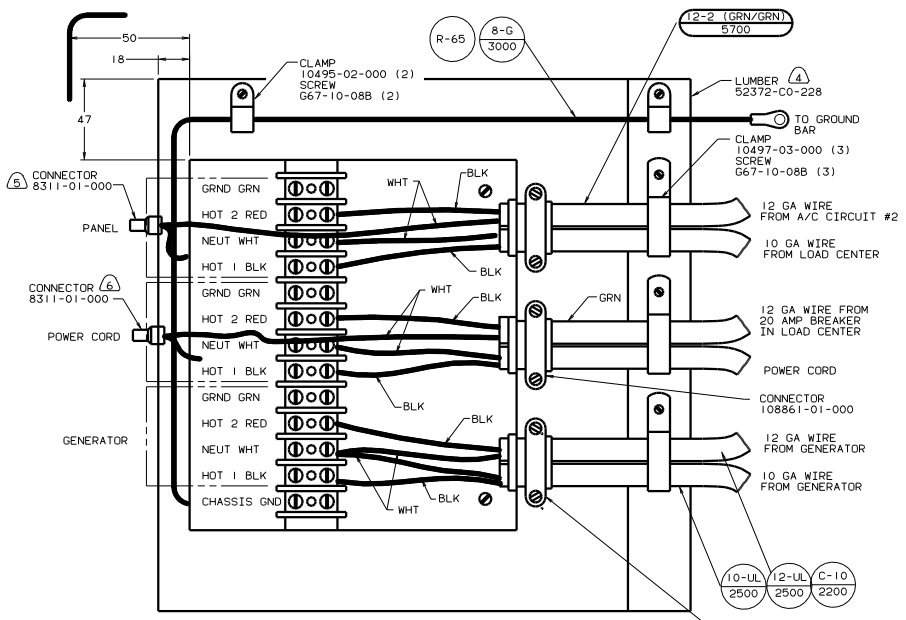
SEAL EDGES.

NOTES:

- (78U) ELECTRICAL SYSTEM-50 AMP
- (12D) ELECTRICAL SYSTEM 30 AMP
- (265) CODES/STANDARDS-CSA/CMVSS
- (1B1) CODES/STANDARDS USA

00 G35U (1B1) (12D) (78U) (265)

WIRING INSTL-BODY 110V(C-A/C)	
DATE SCALE DRAWING	FIG. NO.
SHEET 10 OF 13	132293



(7) WIRES TO PASS THROUGH HOLE IN POWER CORD COMPARTMENT.

(6) FOR THIS CONNECTION REMOVE NEUTRAL WIRE MARKED BLUE FROM CONNECTIONS MARKED POWER CORD.

(5) FOR THIS CONNECTION REMOVE NEUTRAL WIRE MARKED BLUE FROM CONNECTIONS MARKED PANEL.

(4) PAINT EXPOSED SURFACES BLACK WITH 106112-01-000

3. ALL 100V STRANDED WIRE W/O TERMINALS TO BE STRIPPED 10MM AND SOLDER DIPPED.

2. GROUND WIRES NOT SHOWN FOR CLARITY.

1. ALL WIRES TO BE CLAMPED WITH IN 200 OF BOX.

NOTES:

(78J) ELECTRICAL SYSTEM-50 AMP

(265) CODES/STANDARDS-CSA/CMVSS

(12D) ELECTRICAL SYSTEM 30 AMP

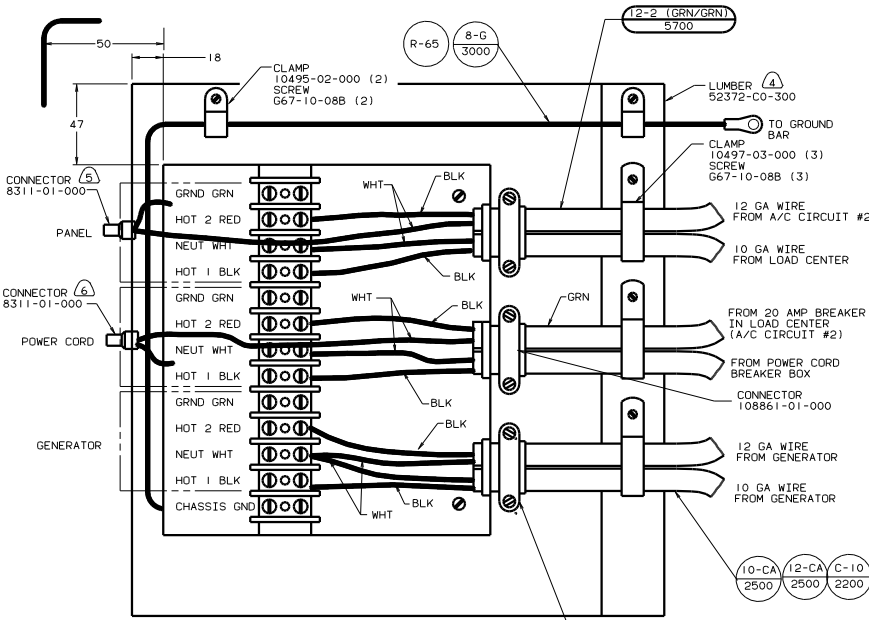
(1B1) CODES/STANDARDS USA

00 G35U (1B1) (12D) (78J)

FILE: WIRING INSTL-BODY (30AITSUS)

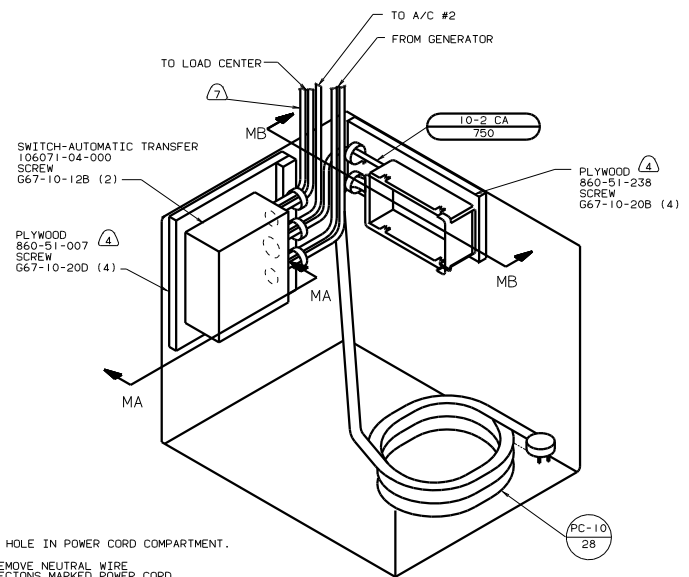
NO. OF SHEETS: 11 OF 13 SHEET NO. 11

132293

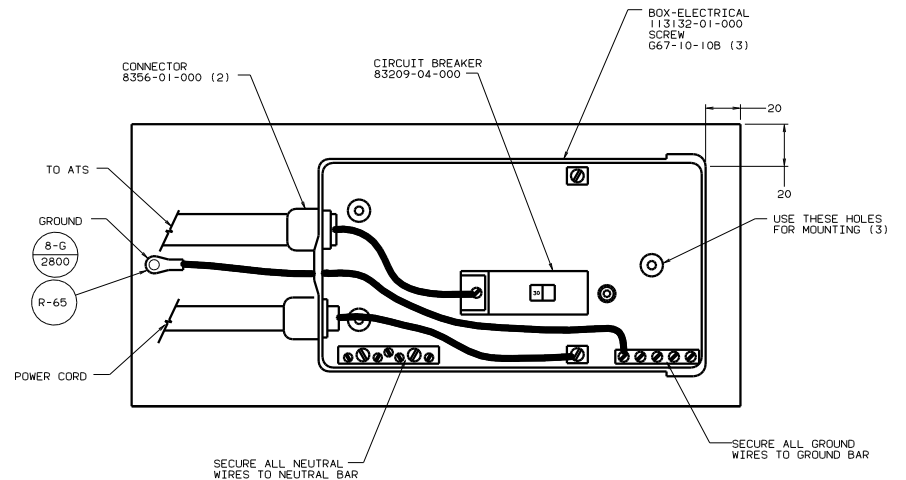


VIEW MA-MA

CONNECTOR 8355-02-000 (2)



VIEW MB-MB (WITH COVER REMOVED)



- NOTES:
1. ALL WIRES TO BE CLAMPED WITH IN 200 OF BOX.
 2. GROUND WIRES NOT SHOWN FOR CLARITY.
 3. ALL 100V STRANDED WIRE W/O TERMINALS TO BE STRIPPED 10MM AND SOLDER DIPPED.
- ④ PAINT EXPOSED SURFACES BLACK WITH 106112-01-000
- ⑤ FOR THIS CONNECTION REMOVE NEUTRAL WIRE MARKED BLUE FROM CONNECTIONS MARKED POWER CORD.
- ⑥ FOR THIS CONNECTION REMOVE NEUTRAL WIRE MARKED BLUE FROM CONNECTIONS MARKED POWER CORD.
- ⑦ WIRES TO PASS THROUGH HOLE IN POWER CORD COMPARTMENT.

⑧1 ACCESSORY PACKAGE

②65 CODES/STANDARDS-CSA/CMVSS

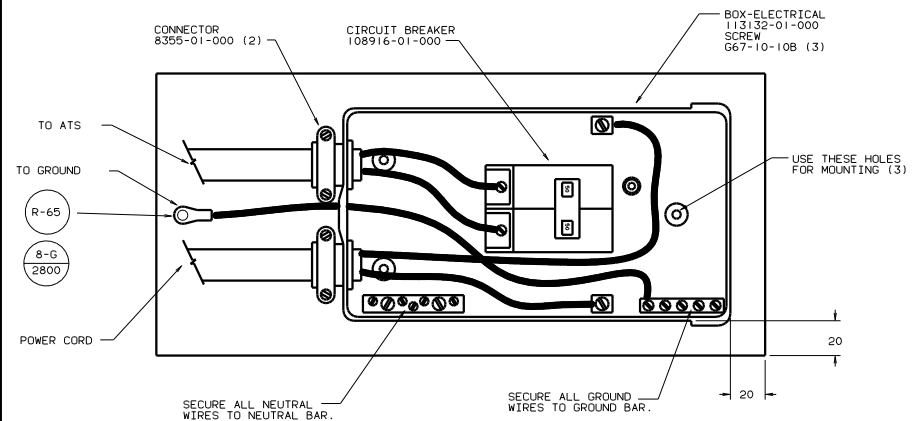
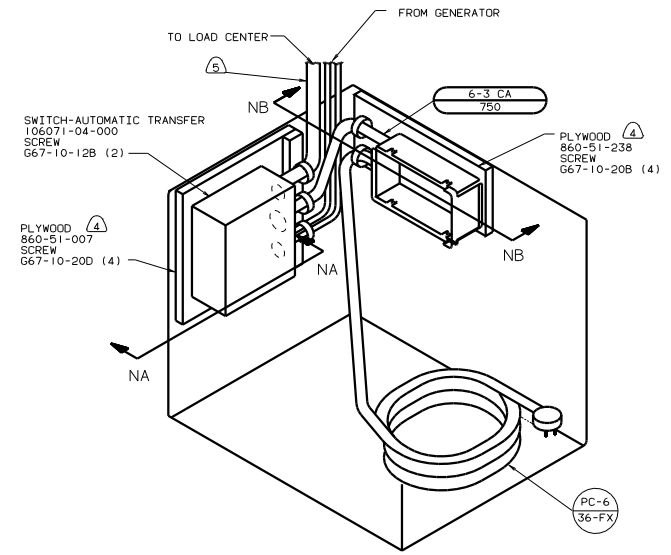
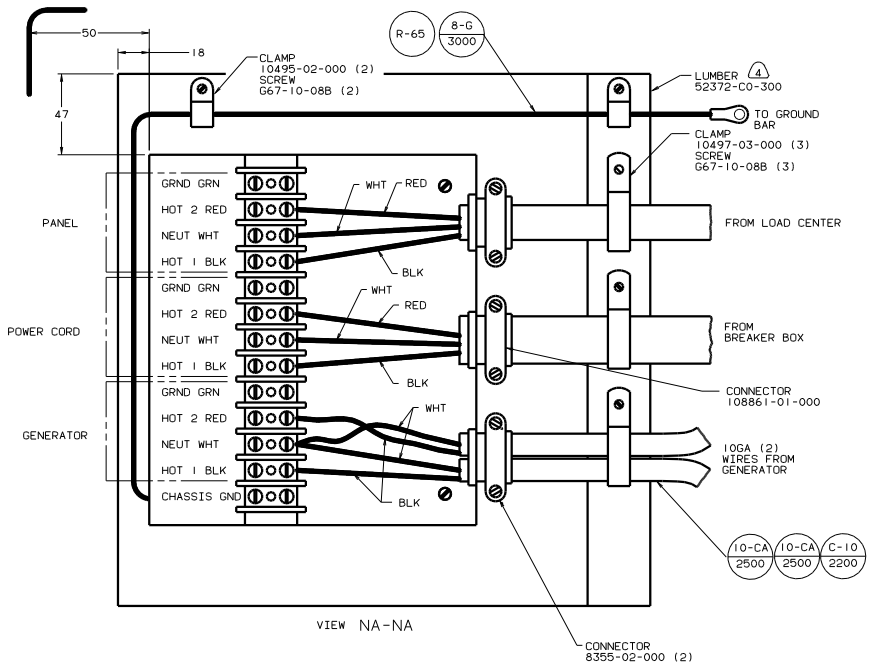
①20 ELECTRICAL SYSTEM 30 AMP

00 G35U ①20 ②65

FILE: WIRING INSTL-BODY (30A/ISCA)

NO. 12 OF 13 SHEETS

132293



- NOTES:
1. ALL WIRES TO BE CLAMPED WITH IN 200 OF BOX.
 2. GROUND WIRES NOT SHOWN FOR CLARITY.
 3. ALL 110V STRANDED WIRE W/O TERMINALS TO BE STRIPPED 10MM AND SOLDER DIPPED.
 4. PAINT EXPOSED SURFACES BLACK WITH 106112-01-000.
 5. WIRES TO PASS THRU HOLE IN POWER CORD COMPARTMENT.

78 ELECTRICAL SYSTEM-50 AMP
 265 CODES/STANDARDS-CSA/CMVSS
 00 G35U 265 78

TITLE		132293	
WIRING INSTL-BODY (50A/ISCA)			
NO. OF SHEETS	TOTAL SHEETS	DATE	REV
13	13		1