



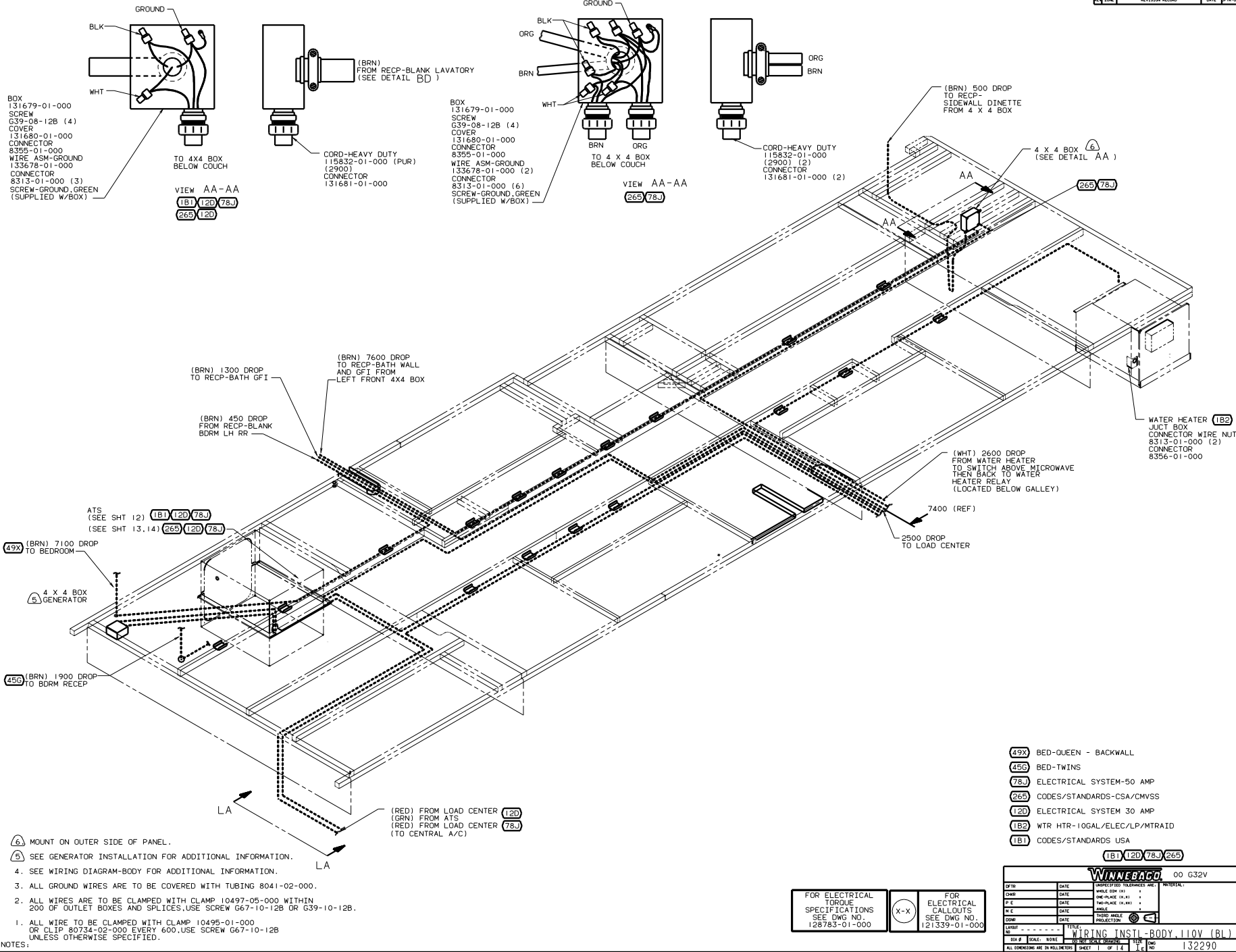
**DANGER**

**Danger of electrical shock, burns or death.** Always remove all power sources before attempting any repair, service or diagnostic work. Power can be present from shore power, generator, inverter or battery. All power sources must be disabled and secured before performing any service.



**CAUTION**

If you lack the skills, tools or equipment to perform diagnostic or repair work leave such work to an authorized Winnebago Industries dealer or other qualified shop.



BOX  
 131679-01-000  
 SCREW  
 G39-08-12B (4)  
 COVER  
 131680-01-000  
 CONNECTOR  
 8355-01-000  
 WIRE ASM-GROUND  
 133678-01-000  
 CONNECTOR  
 8313-01-000 (3)  
 SCREW-GROUND, GREEN  
 (SUPPLIED W/BOX)

TO 4X4 BOX  
 BELOW COUCH  
 VIEW AA-AA  
 (1B1) (120) (78J)  
 (265) (120)

CORD-H EAVY DUTY  
 115832-01-000 (PUR)  
 (2900)  
 CONNECTOR  
 131681-01-000

BOX  
 131679-01-000  
 SCREW  
 G39-08-12B (4)  
 COVER  
 131680-01-000  
 CONNECTOR  
 8355-01-000  
 WIRE ASM-GROUND  
 133678-01-000 (2)  
 CONNECTOR  
 8313-01-000 (6)  
 SCREW-GROUND, GREEN  
 (SUPPLIED W/BOX)

VIEW AA-AA  
 (265) (78J)

CORD-H EAVY DUTY  
 115832-01-000  
 (2900) (2)  
 CONNECTOR  
 131681-01-000 (2)

(BRN) 500 DROP  
 TO RECP-  
 SIDEWALL DINETTE  
 FROM 4 X 4 BOX

4 X 4 BOX (6)  
 (SEE DETAIL AA)  
 (265) (78J)

ATS  
 (SEE SHT 12) (1B1) (120) (78J)  
 (SEE SHT 13, 14) (265) (120) (78J)

(49X) (BRN) 7100 DROP  
 TO BEDROOM  
 (6) 4 X 4 BOX  
 GENERATOR

(450) (BRN) 1900 DROP  
 TO BDRM RECP

(BRN) 1300 DROP  
 TO RECP-BATH GFI

(BRN) 450 DROP  
 FROM RECP-BLANK  
 BDRM LH RR

(BRN) 7600 DROP  
 TO RECP-BATH WALL  
 AND GFI FROM  
 LEFT FRONT 4X4 BOX

(WHT) 2600 DROP  
 FROM WATER HEATER  
 TO SWITCH ABOVE MICROWAVE  
 THEN BACK TO WATER  
 HEATER RELAY  
 (LOCATED BELOW GALLEY)

7400 (REF)

2500 DROP  
 TO LOAD CENTER

WATER HEATER (1B2)  
 JUCT BOX  
 CONNECTOR WIRE NUT  
 8313-01-000 (2)  
 CONNECTOR  
 8356-01-000

LA  
 (RED) FROM LOAD CENTER (120)  
 (GRN) FROM ATS  
 (RED) FROM LOAD CENTER (78J)  
 (TO CENTRAL A/C)

(6) MOUNT ON OUTER SIDE OF PANEL.

(5) SEE GENERATOR INSTALLATION FOR ADDITIONAL INFORMATION.

4. SEE WIRING DIAGRAM-BODY FOR ADDITIONAL INFORMATION.

3. ALL GROUND WIRES ARE TO BE COVERED WITH TUBING 8041-02-000.

2. ALL WIRES ARE TO BE CLAMPED WITH CLAMP 10497-05-000 WITHIN 200 OF OUTLET BOXES AND SPLICES. USE SCREW G67-10-12B OR G39-10-12B.

1. ALL WIRE TO BE CLAMPED WITH CLAMP 10495-01-000 OR CLIP 80734-02-000 EVERY 600. USE SCREW G67-10-12B UNLESS OTHERWISE SPECIFIED.

NOTES:

- (49X) BED-QUEEN - BACKWALL
- (450) BED-TWINS
- (78J) ELECTRICAL SYSTEM-50 AMP
- (265) CODES/STANDARDS-CSA/CMVSS
- (120) ELECTRICAL SYSTEM 30 AMP
- (1B2) WTR HTR-10GAL/ELEC/LP/MTR/DAID
- (1B1) CODES/STANDARDS USA

(1B1) (120) (78J) (265)

FOR ELECTRICAL TORQUE SPECIFICATIONS SEE DWG NO. 128783-01-000

(X-X)

FOR ELECTRICAL CALLOUTS SEE DWG NO. 121339-01-000

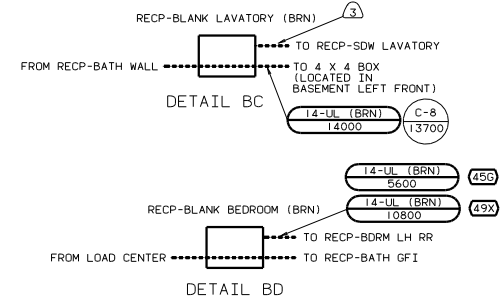
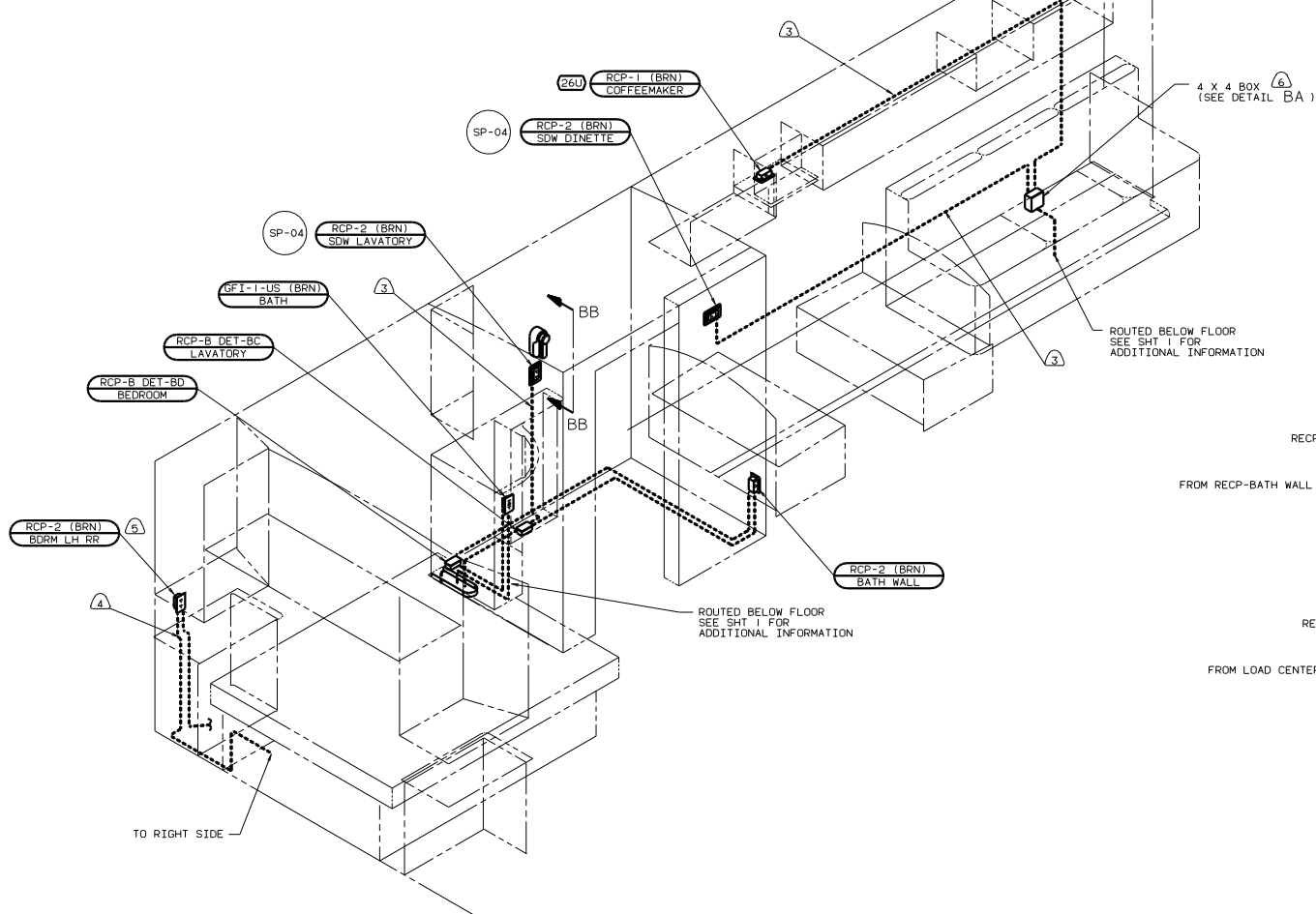
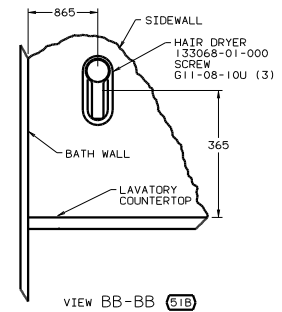
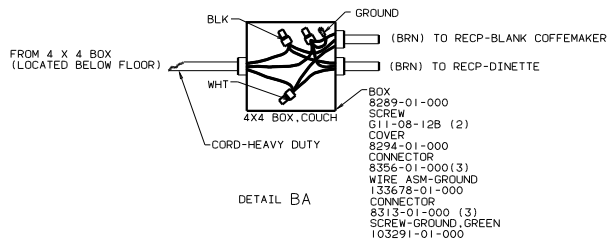
WINNEBAGO 00 G32V

OF IN	DATE	UNSPECIFIED TOLERANCES ARE:	INTEGRAL
CHP	DATE	WHOLE OR 1/16"	
PIE	DATE	ONE-PLACE (1/32")	
PLC	DATE	TWO-PLACE (1/64")	
DATE	DATE	MILS	
DATE	DATE	INDIC. W/ALL DIMENSIONS	

LANE # \_\_\_\_\_ TITLE: WIRING INSTL-BODY, 110V (BL)

REV # \_\_\_\_\_ SCALE: NONE TO THE SCALE SHOWN THE 1/16"

ALL DIMENSIONS ARE IN MILLIMETERS SHEET 1 OF 14 132290



- (6) 4 X 4 BOX SHALL BE MINIMUM 200 FROM END OF SLIDEOUT. (49X)
- (5) SEE WIRING INSTL-BODY.12V FOR ADDITIONAL INFORMATION.
- (4) WIRE ROUTED THRU SIDEWALL.
- (3) WIRE IN SIDEWALL.
2. ALL WIRES ARE TO BE CLAMPED WITH CLAMP 10495 WITHIN 200 OF OUTLET BOXES, USE SCREW 667-10-12B.
1. ALL WIRE ROUTED ABOVE FLOOR TO BE CLAMPED WITH CLAMP 10495 AND SCREW 667-10-12B OR TIED WITH WIRE TIE 8343 AS REQUIRED AT LEAST EVERY 700MM OR AS OTHERWISE SPECIFIED.

- (45G) BED-TWINS
- (78J) ELECTRICAL SYSTEM-50 AMP
- (51B) HAIR DRYER
- (49X) BED-QUEEN - BACKWALL
- (26U) COFFEE MAKER
- (12D) ELECTRICAL SYSTEM 30 AMP
- (1E3) ENERGY MANAGEMENT SYSTEM
- (1B1) CODES/STANDARDS USA
- (09L) SLIDEOUT ROOM FRONT LEFT

FOR ELECTRICAL TORQUE SPECIFICATIONS SEE DWG NO. 128783-01-000

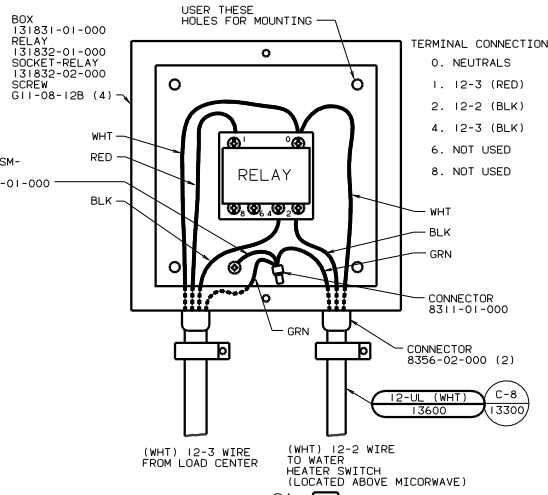
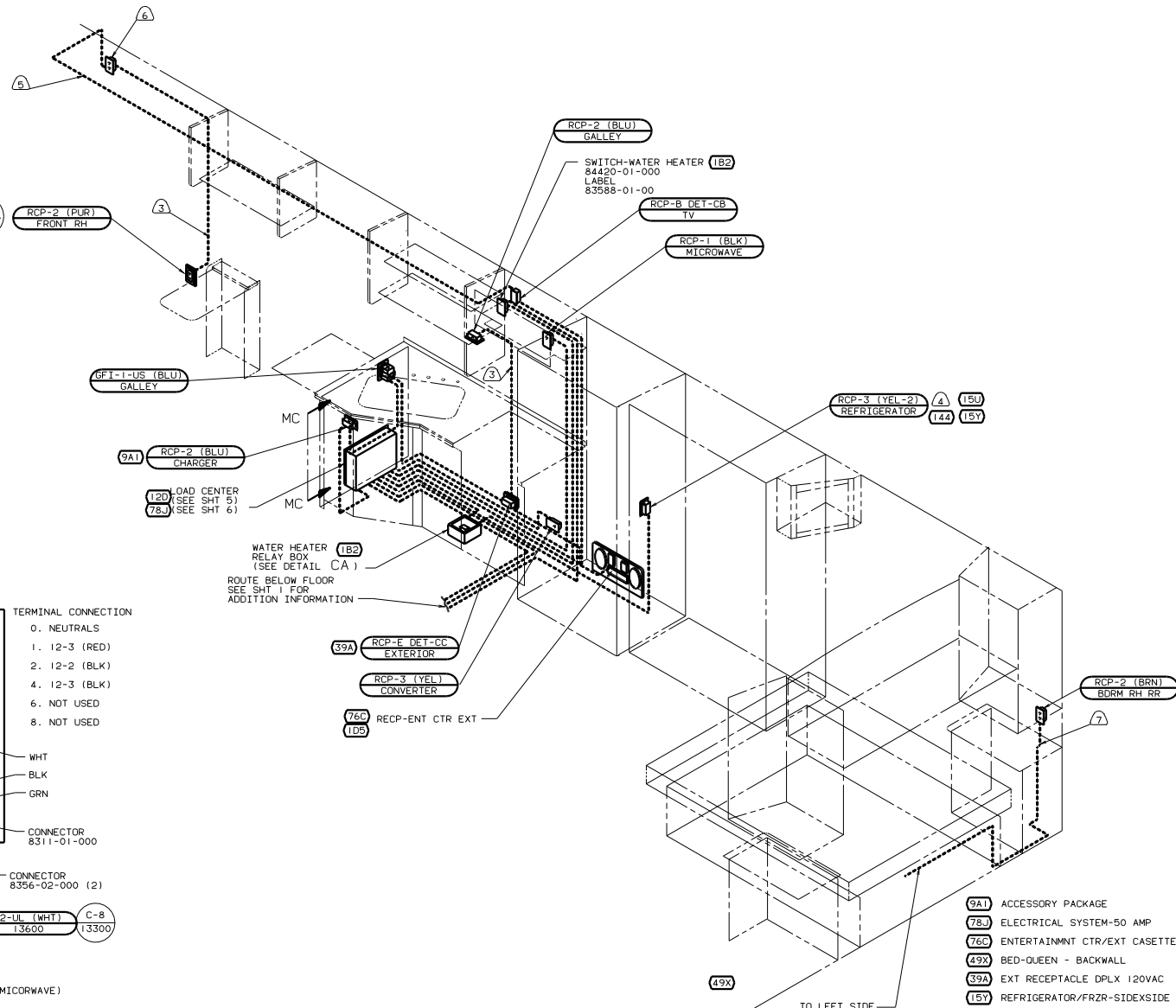
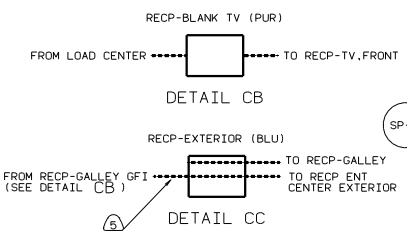
X-X

FOR ELECTRICAL CALLOUTS SEE DWG NO. 121339-01-000

00 G32V (1B1) (12D) (78J)

WIRING INSTL-Q-BODY (L30/50US)

132290



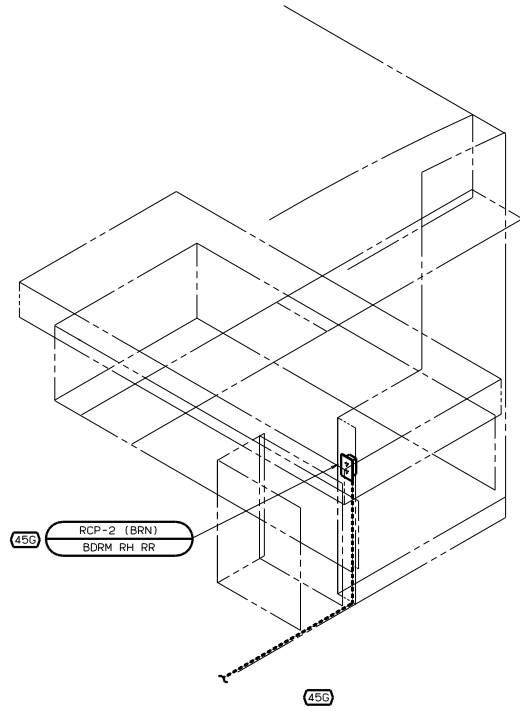
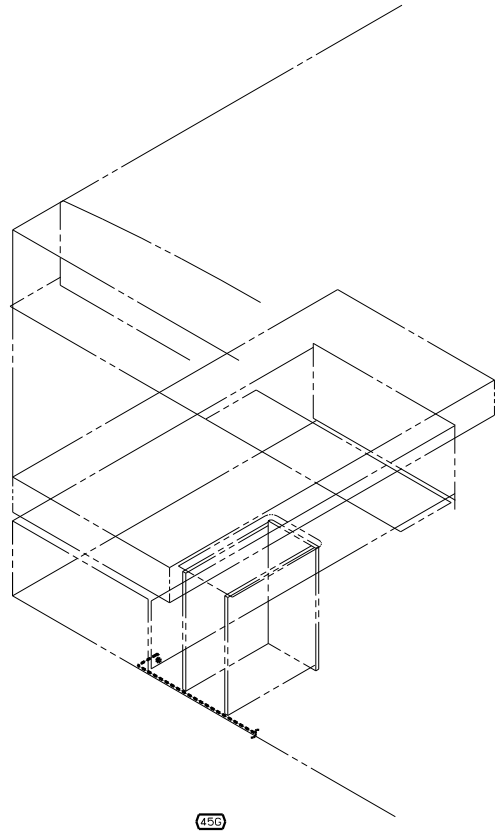
- TERMINAL CONNECTION
0. NEUTRALS
  1. 12-3 (RED)
  2. 12-2 (BLK)
  4. 12-3 (BLK)
  6. NOT USED
  8. NOT USED

- NOTES:
- ① ROUTE WIRE THRU SIDEWALL.
  - ② SEE WIRING INSTALLATION TV/VCR FRONT FOR ADDITIONAL INFORMATION.
  - ③ WIRE IN ROOF.
  - ④ LOCATE REFRIGERATOR RECEPTACLE ON TIEDOWN BRACKET.
  - ⑤ WIRE IN SIDEWALL.
  2. ALL WIRES ARE TO BE CLAMPED WITH CLAMP 10495 WITHIN 200 OF OUTLET BOXES. USE SCREW 067-10-12B.
  1. ALL WIRE ROUTED ABOVE FLOOR TO BE CLAMPED WITH CLAMP 10495 AND SCREW 067-10-12B OR TIED WITH WIRE TIE 8343 AS REQUIRED AT LEAST EVERY 700MM OR AS OTHERWISE SPECIFIED.

- 9A1 ACCESSORY PACKAGE
- 78J ELECTRICAL SYSTEM-50 AMP
- 76C ENTERTAINMENT CTR/EXT CASSETTE
- 49X BED-QUEEN - BACKWALL
- 39A EXT RECEPTACLE DPLX 120VAC
- 15U REFRIGERATOR/FRZR-SIDEXSIDE
- 144 REFRIGERATOR-DOUBLE DOOR
- 12D ELECTRICAL SYSTEM 30 AMP
- 1E3 ENERGY MANAGEMENT SYSTEM
- 1D5 ENTERTAINMENT CENTER/EXT W/CD
- 1B2 WTR HTR-10GAL/ELEC/LP/MTRAITD
- 1B1 CODES/STANDARDS USA 00 G32V (1B1) (12D) (78J)

FOR ELECTRICAL TORQUE SPECIFICATIONS SEE DWG NO. 128783-01-000

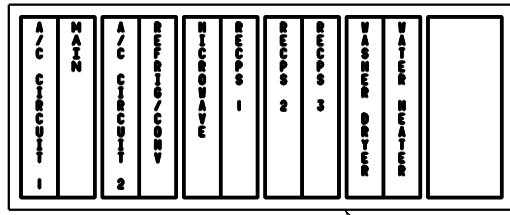
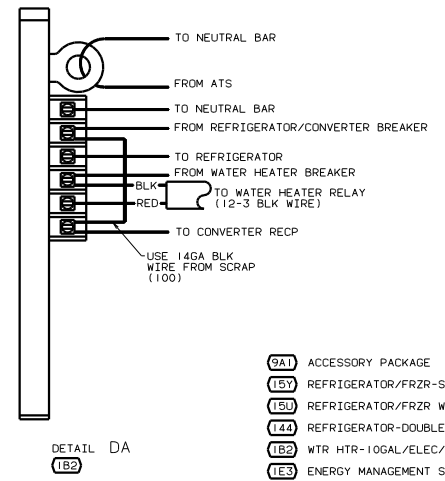
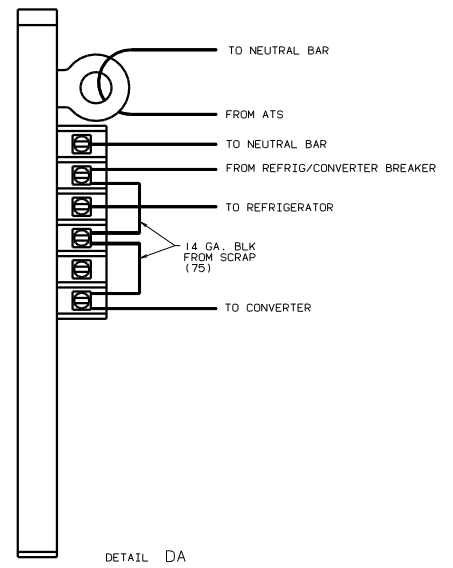
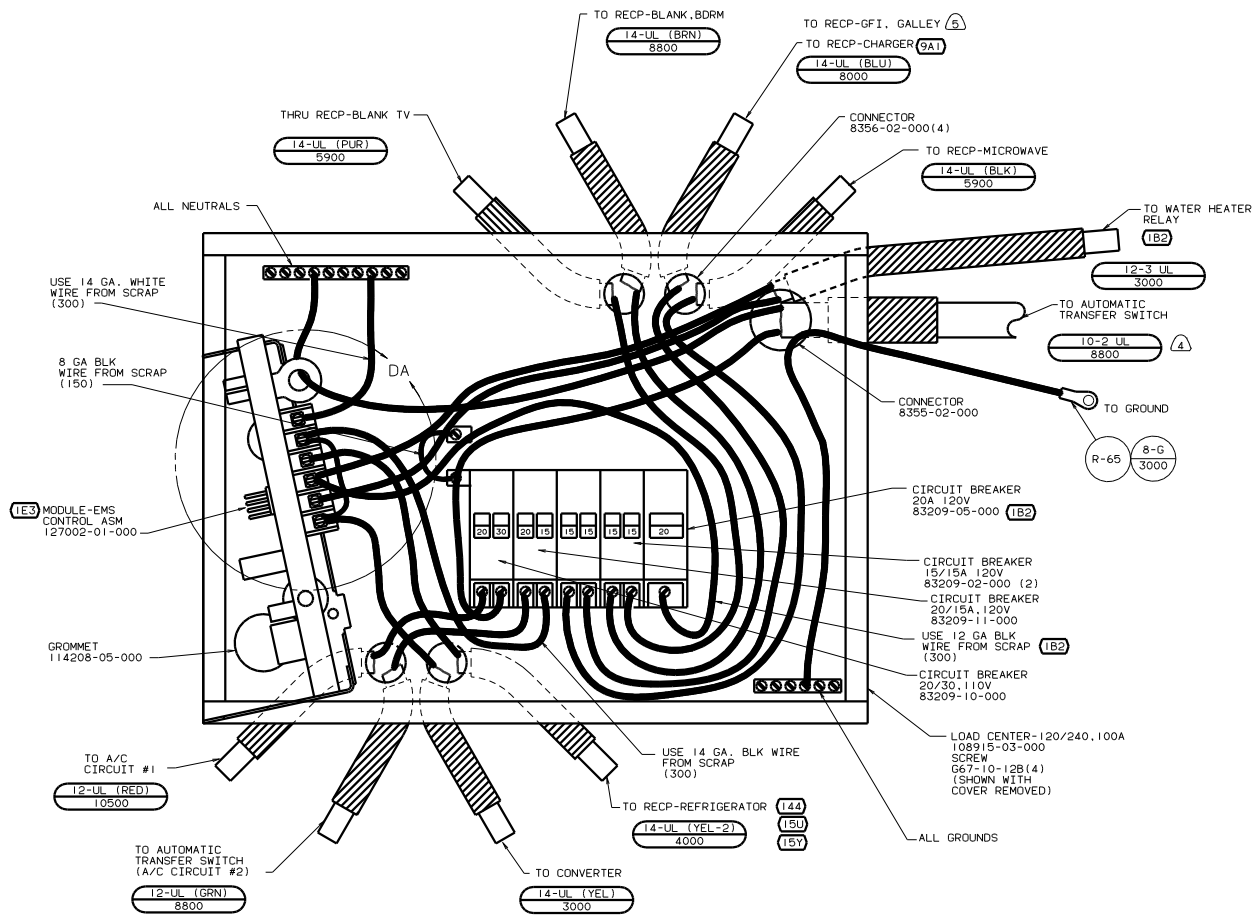
FOR ELECTRICAL CALLOUTS SEE DWG NO. 121339-01-000



- 9A1 ACCESSORY PACKAGE
- 45G BED-TWINS
- 265 CODES/STANDARDS-CSA/CMVSS
- 1B1 CODES/STANDARDS USA

00 G32V 1B1 265

FILE: WIRING INSTL-BODY (LT30/50US)  
 SHEET 4 OF 14



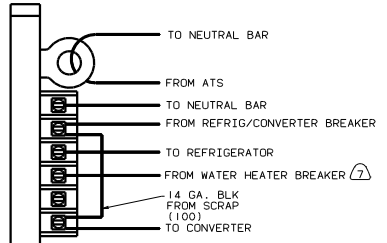
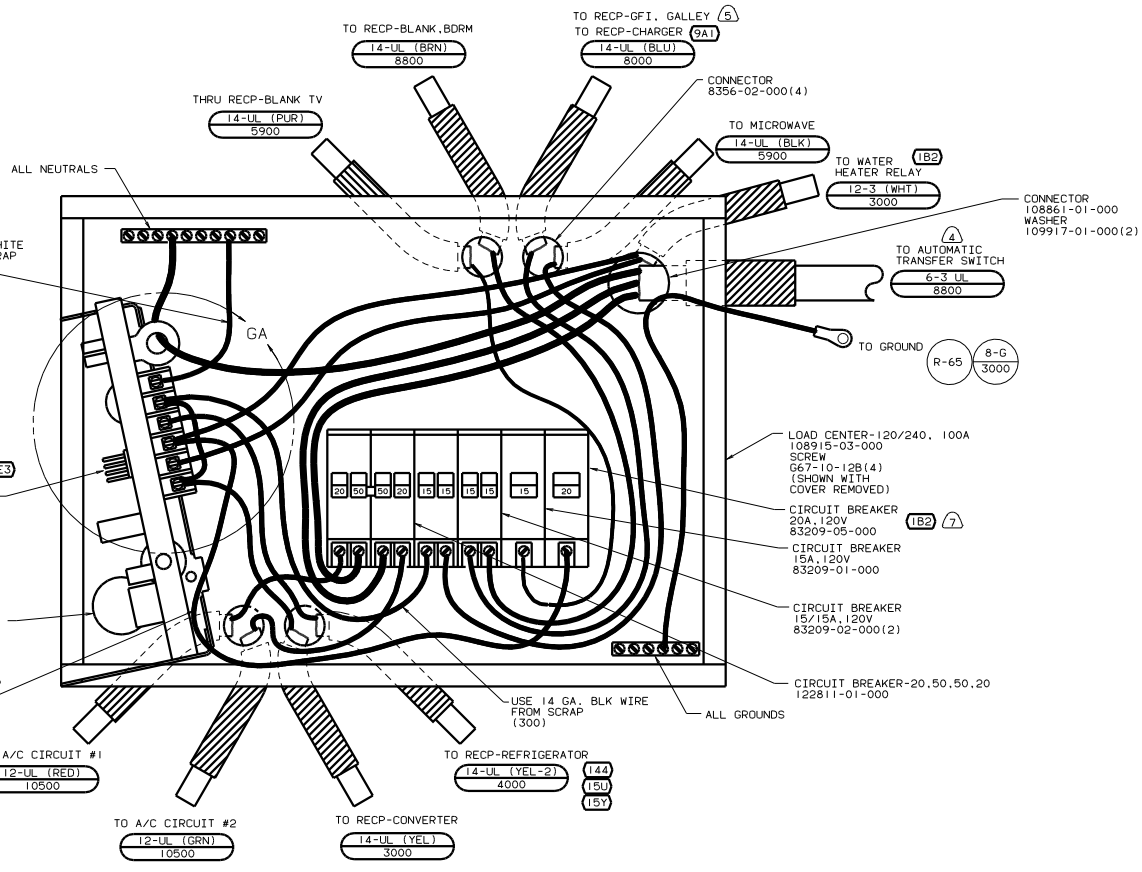
- (A) WIRE TIE THE FOLLOWING WIRES FOR THE FIRST 2000MM; RED, GREEN, PURPLE, BROWN, 10/2; BLACK, YELLOW, YELLOW-2, WHITE, BLUE. (LEAVE A 2200 LOOP IN BLUE WIRE BEHIND LOAD CENTER.)
- (B) WITHOUT (9A1)
- (4) WIRE MUST BE 600 LONG INSIDE BOX, ALL OTHERS TO BE 300.
3. ALL CABLES SHALL BE COVERED WITH CONDUIT-CONVOLUTE, SLIT 41953-01-000 UNLESS OTHERWISE SPECIFIED. 600 LESS THAN CABLE LENGTH.
2. ATTACH WIRES TO BACKSIDE OF LOAD CENTER. USE EXISTING HOLES AND TIE-WIRE 116673-01-000.
1. ALL GROUND WIRES TO BE COVERED WITH TUBING 8041-02-000.

INSTALL LABEL ON FRONT PANEL BELOW BREAKERS BETWEEN MOUNTING HOLES

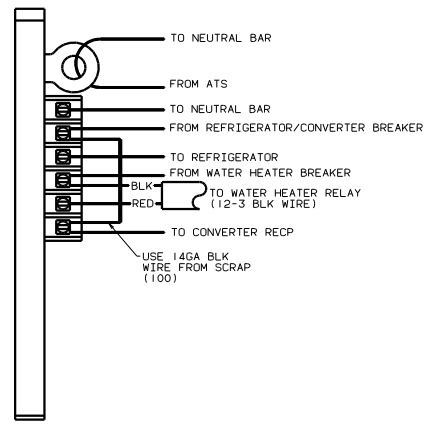
- (9A1) ACCESSORY PACKAGE
- (15Y) REFRIGERATOR/FRZR-SIDEXSIDE
- (15U) REFRIGERATOR/FRZR W/ICEMAKER
- (I44) REFRIGERATOR-DOUBLE DOOR
- (B2) WTR HTR-10GAL/ELEC/LP/MTR/IDA
- (IE3) ENERGY MANAGEMENT SYSTEM
- (I20) ELECTRICAL SYSTEM 30 AMP
- (I81) CODES/STANDARDS USA

FOR ELECTRICAL TORQUE SPECIFICATIONS SEE DWG NO. 128783-01-000

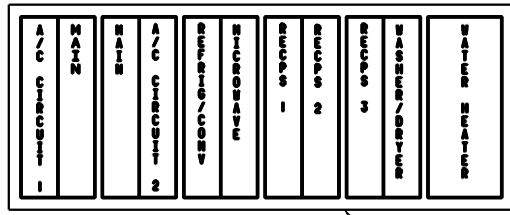
FOR ELECTRICAL CALLOUTS SEE DWG NO. 121339-01-000



DETAIL GA



DETAIL GA (1B2)



INSTALL LABEL ON FRONT PANEL BELOW BREAKERS BETWEEN MOUNTING HOLES

- (7) THIS BREAKER MUST BE INSTALLED AND WIRED TO EMS EVEN WITHOUT (1B2)
- (6) WIRE TIE THE FOLLOWING WIRES FOR THE FIRST 200MM. RED, GREEN, PURPLE, BROWN, 6-3; BLACK, YELLOW, YELLOW-2, WHITE, BLUE. (LEAVE A 2200 LOOP IN BLUE WIRE BEHIND LOAD CENTER.)
- (8) WITHOUT (9A1)
- (4) WIRE MUST BE 600 LONG INSIDE BOX, ALL OTHERS TO BE 300.
- 3. ALL CABLES SHALL BE COVERED WITH CONDUIT-CONVOLUTE, SLIT 41953-01-000 UNLESS OTHERWISE SPECIFIED. 600 LESS THAN CABLE LENGTH.
- 2. ATTACH WIRES TO BACKSIDE OF LOAD CENTER. USE EXISTING HOLES AND TIE-WIRE 116673-01-000.
- 1. ALL GROUND WIRES TO BE COVERED WITH TUBING 8041-02-000.

- (9A1) ACCESSORY PACKAGE
- (78J) ELECTRICAL SYSTEM-50 AMP
- (15Y) REFRIGERATOR/FRZR-SIDEXSIDE
- (15U) REFRIGERATOR/FRZR W/ICEMAKER
- (144) REFRIGERATOR-DOUBLE DOOR
- (1E3) ENERGY MANAGEMENT SYSTEM
- (1B2) WTR HTR-10GAL/ELEC/LP/MTRAIID
- (1B1) CODES/STANDARDS USA

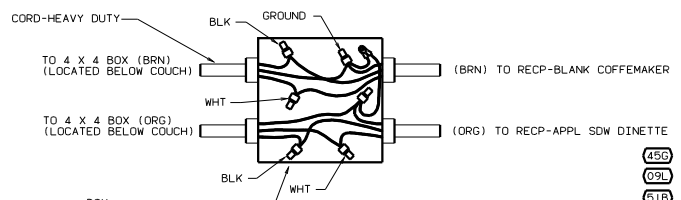
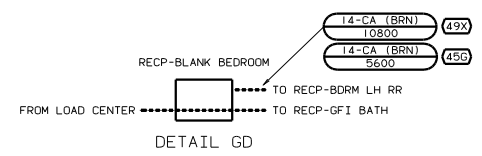
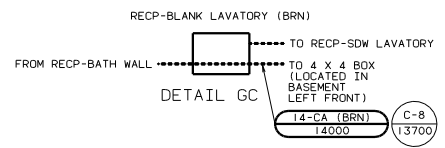
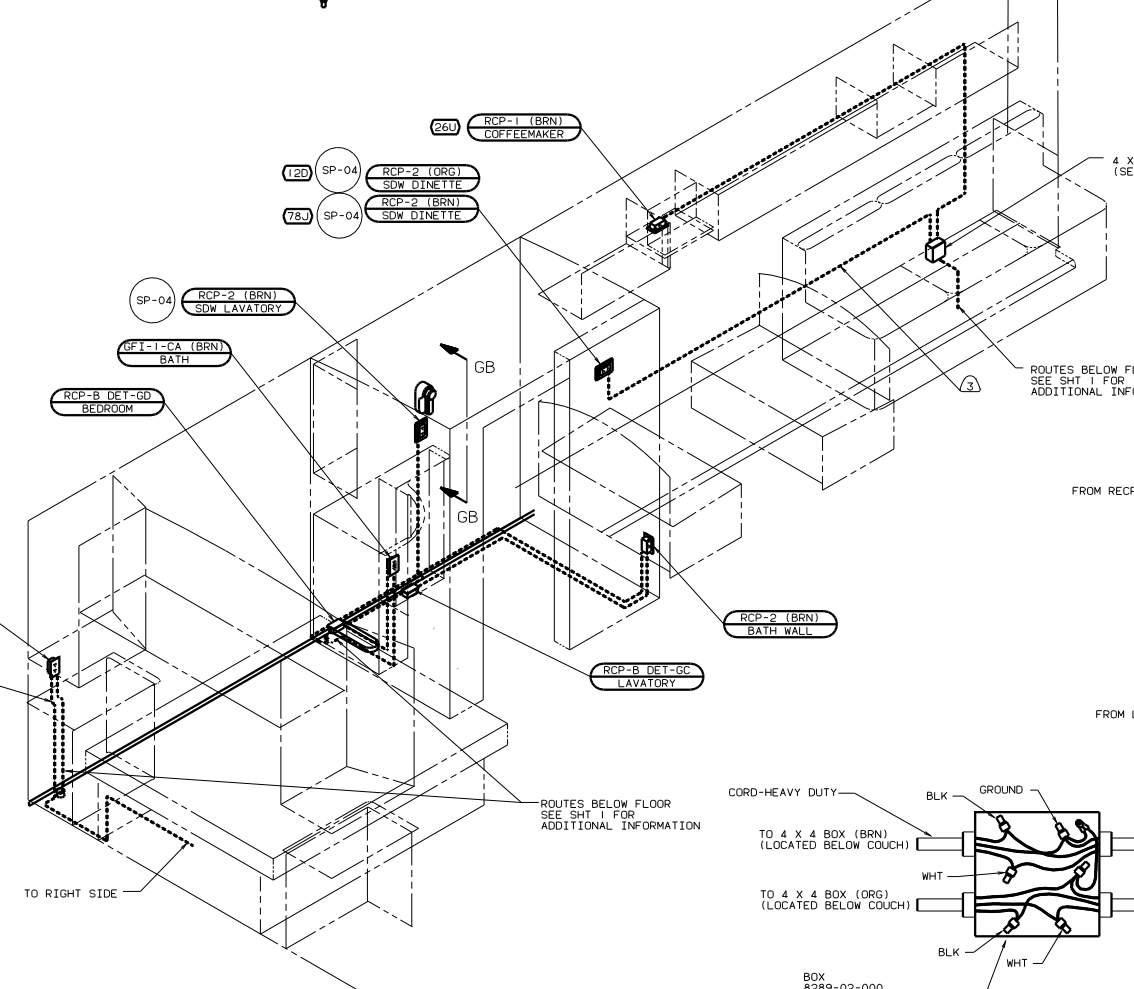
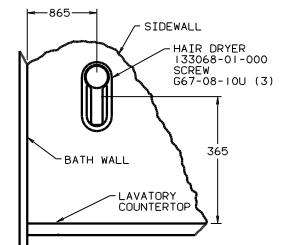
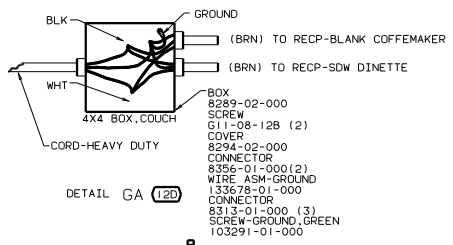
FOR ELECTRICAL TORQUE SPECIFICATIONS SEE DWG NO. 128783-01-000

FOR ELECTRICAL CALLOUTS SEE DWG NO. 121339-01-000

00 G32V (1B1) (78J)

WIRING INSTL-BODY, 110V(1C50US)

30 30 204 2040 2040 THE 1 E No 132290



- BOX 8289-02-000
- SCREW G11-08-12B (2)
- COVER 8294-02-000
- CONNECTOR 8396-01-000 (4)
- WIRE ASM-GROUND 133678-01-000 (2)
- CONNECTOR 8313-01-000 (6)
- SCREW-GROUND, GREEN 103291-01-000

- ④ 4 X 4 BOX SHALL BE MINIMUM OF 200 FROM END WALL OF SLIDEOUT.
  - ⑤ SEE WIRING INSTL-BODY.12V FOR ADDITIONAL INFORMATION.
  - ④ WIRE ROUTED THRU SIDEWALL
  - ③ WIRE IN SIDEWALL.
2. ALL WIRES ARE TO BE CLAMPED WITH CLAMP 10495 WITHIN 200 OF OUTLET BOMES, USE SCREW G67-10-12B.
1. ALL WIRE ROUTED ABOVE FLOOR TO BE CLAMPED WITH CLAMP 10495 AND SCREW G67-10-12B OR TIED WITH WIRE TIE 8343 AS REQUIRED AT LEAST EVERY 700MM OR AS OTHERWISE SPECIFIED.

- ④5G BED-TWINS
- ①9L SLIDEOUT ROOM FRONT LEFT
- ⑤1B HAIR DRYER
- ⑦8J ELECTRICAL SYSTEM-50 AMP
- ④9X BED-QUEEN - BACKWALL
- ②6S CODES/STANDARDS-CSA/CMVSS
- ②6U COFFEE MAKER
- ②6U ELECTRICAL SYSTEM 30 AMP
- ①E3 ENERGY MANAGEMENT SYSTEM

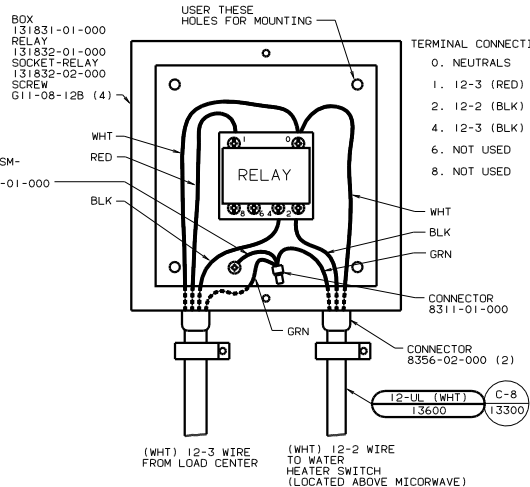
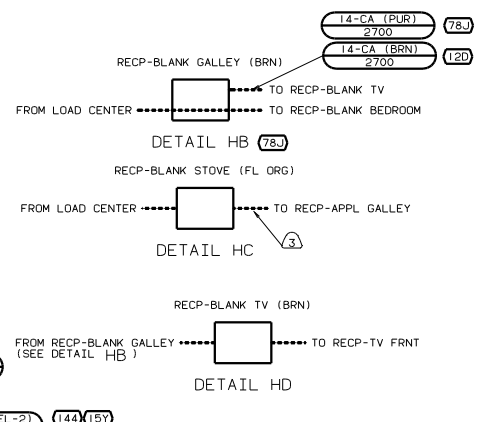
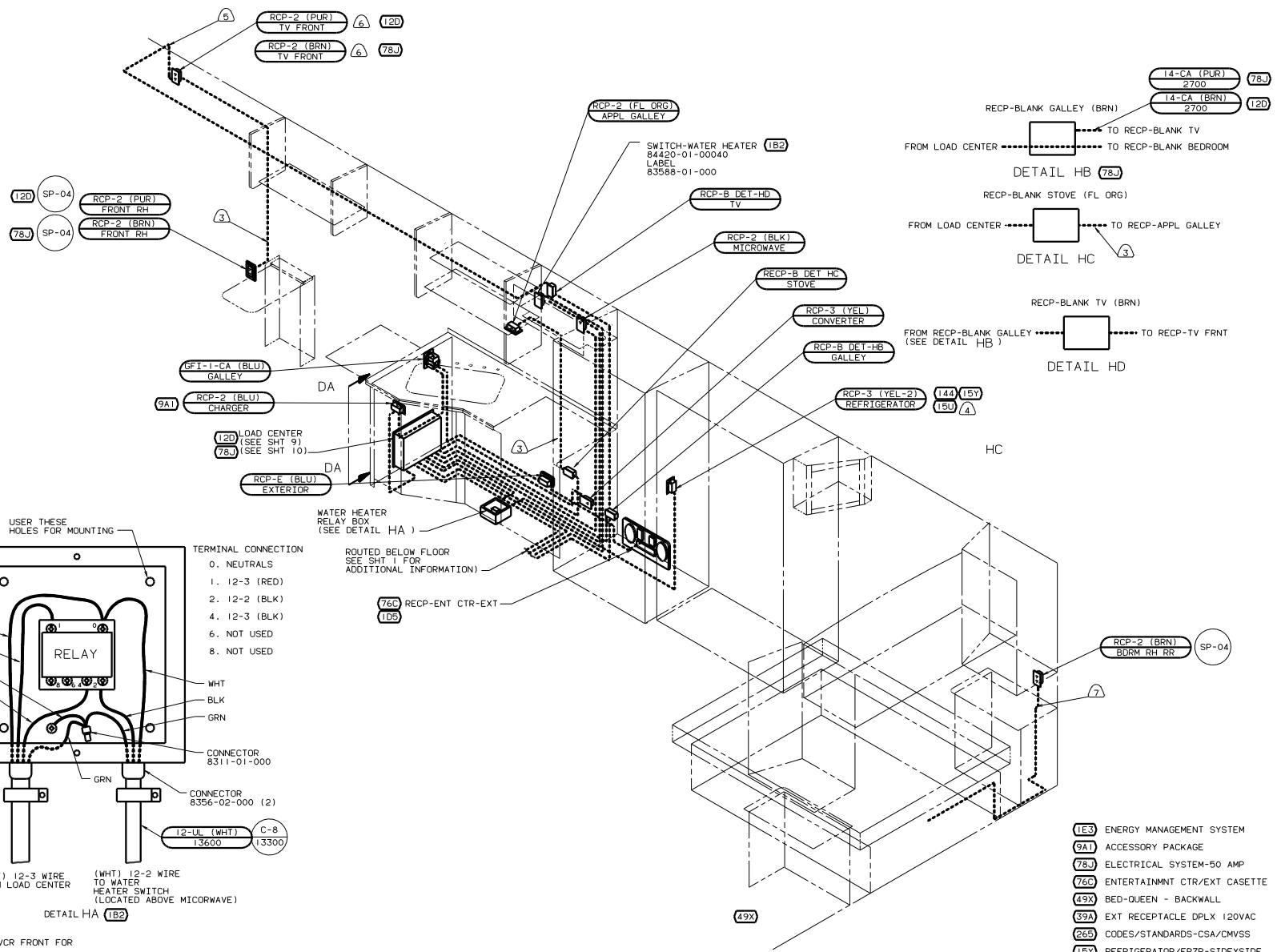
FOR ELECTRICAL TORQUE SPECIFICATIONS SEE DWG NO. 128783-01-000

X-X

FOR ELECTRICAL CALLOUTS SEE DWG NO. 121339-01-000

00 G32V (265) (12D) (78J)  
 WIRING INSTL-O-BODY (L30/50CA)  
 SHEET 7 OF 14





- TERMINAL CONNECTION
0. NEUTRALS
  1. 12-3 (RED)
  2. 12-2 (BLK)
  4. 12-3 (BLK)
  6. NOT USED
  8. NOT USED

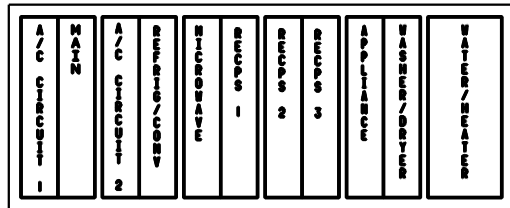
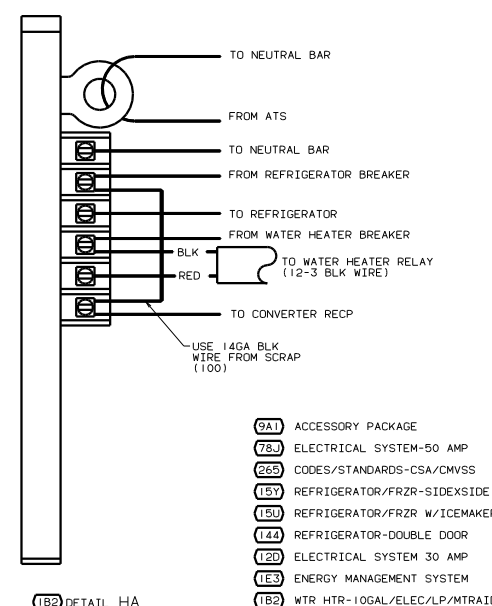
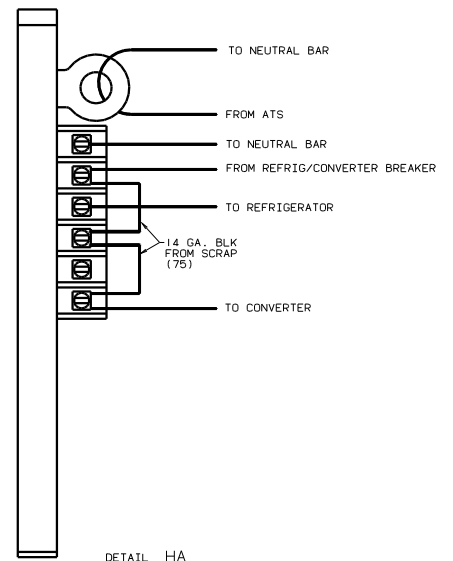
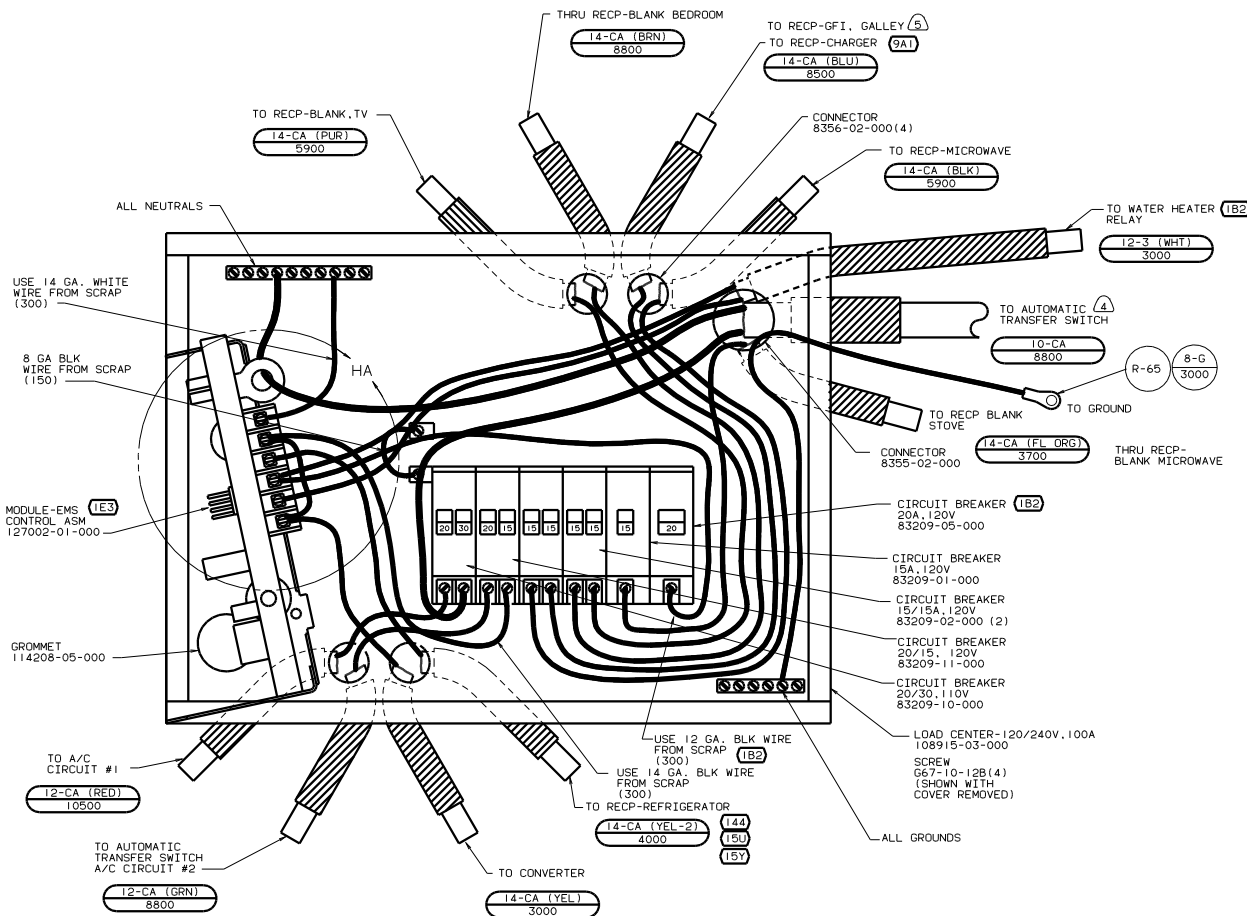
- NOTES:
- ① ROUTE WIRE THRU SIDEWALL.
  - ② ALL WIRES ARE TO BE CLAMPED WITH CLAMP 10495 WITHIN 200 OF OUTLET BOXES. USE SCREW 067-10-12B.
  - ③ WIRE IN SIDEWALL.
  - ④ LOCATE REFRIGERATOR RECEPTACLE ON TIEDOWN BRACKET.
  - ⑤ WIRE IN ROOF.
  - ⑥ SEE WIRING INSTALLATION TV/VCR FRONT FOR ADDITIONAL INFORMATION.
  - ⑦ ROUTE WIRE THRU SIDEWALL.
2. ALL WIRES ARE TO BE CLAMPED WITH CLAMP 10495 AND SCREW 067-10-12B OR TIED WITH WIRE TIE 8343 AS REQUIRED AT LEAST EVERY 700MM OR AS OTHERWISE SPECIFIED.

- ⑬ ENERGY MANAGEMENT SYSTEM
- ⑨ ACCESSORY PACKAGE
- ⑦ ELECTRICAL SYSTEM-50 AMP
- ⑦ ENTERTAINMENT CTR/EXT CASETTE
- ④ BED-QUEEN - BACKWALL
- ③ EXT RECEPTACLE DPLX 120VAC
- ② CODES/STANDARDS-CSA/CMVSS
- ① REFRIGERATOR/FRZR-SIDEXSIDE
- ① REFRIGERATOR/FRZR W/ICEMAKER
- ① REFRIGERATOR-DOUBLE DOOR
- ① ELECTRICAL SYSTEM 30 AMP
- ① ENTERTAINMENT CENTR/EXT W/CD

FOR ELECTRICAL TORQUE SPECIFICATIONS SEE DWG NO. 128783-01-000

FOR ELECTRICAL CALLOUTS SEE DWG NO. 121339-01-000

00 G32V ②⑥⑤ ①②⑦⑧⑨  
 WIRING INSTL-BODY(R30/50CA)  
 SHEET 8 OF 14



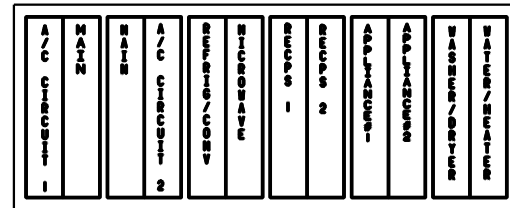
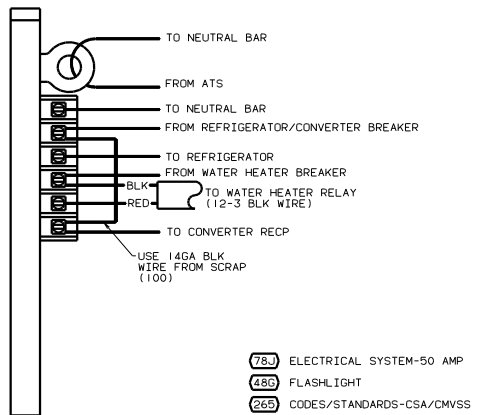
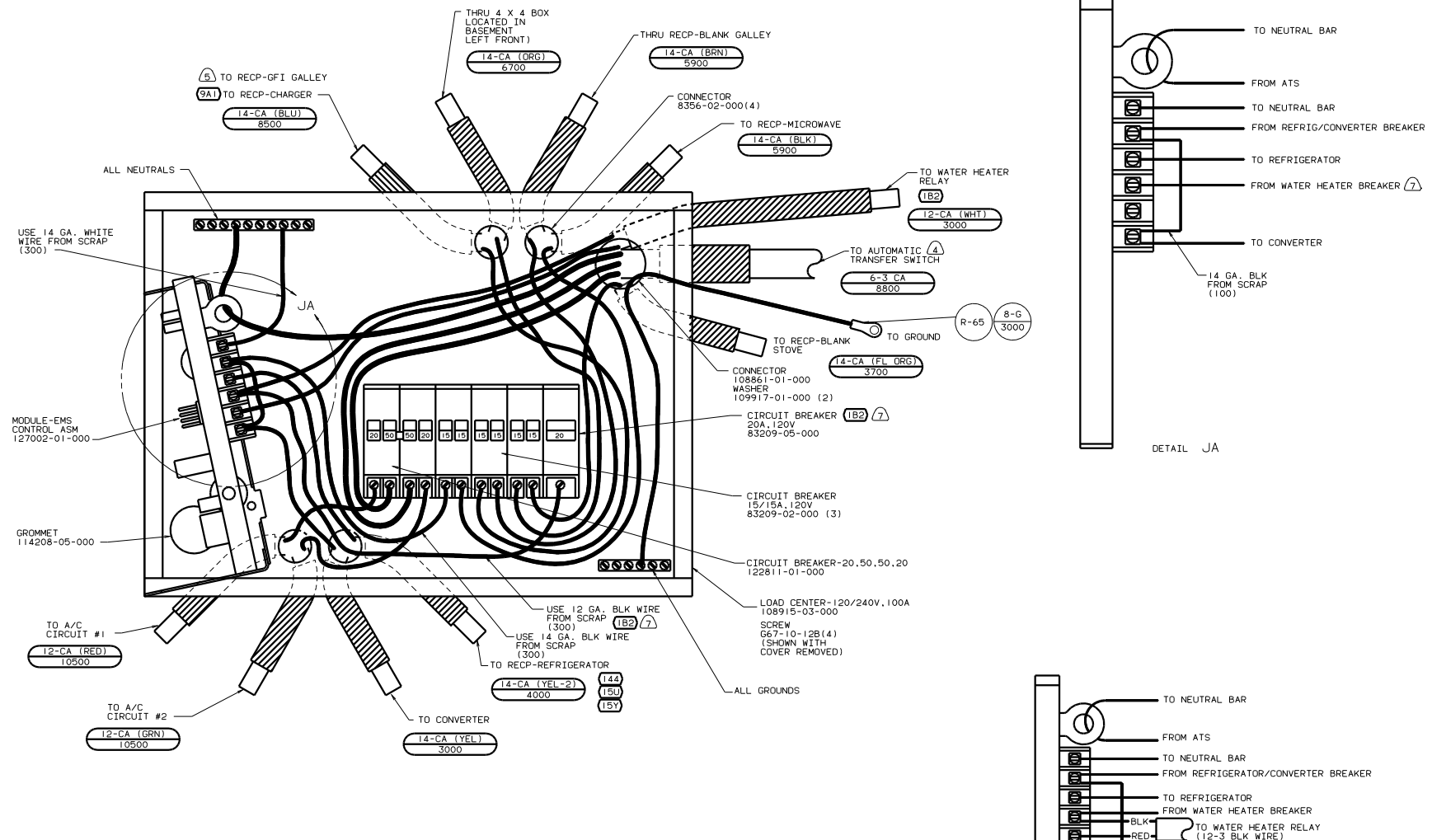
INSTALL LABEL ON FRONT PANEL BELOW BREAKERS BETWEEN MOUNTING HOLES

LABEL 95721-35-000

- 6. WIRE TIE THE FOLLOWING WIRES FOR THE FIRST 2000MM: RED, GREEN, PURPLE, BROWN, 10/2 BLACK, YELLOW, YELLOW-2, WHITE, BLUE. (LEAVE A 2200 LOOP IN BLUE WIRE BEHIND LOAD CENTER.)
- 5. WITHOUT (9A1)
- 4. WIRE MUST BE 600 LONG INSIDE BOX, ALL OTHERS TO BE 300.
- 3. ALL CABLES SHALL BE COVERED WITH CONDUIT-CONVOLUTE, SLIT 41953-01-000 UNLESS OTHERWISE SPECIFIED, 600 LESS THAN CABLE LENGTH.
- 2. ATTACH WIRES TO BACKSIDE OF LOAD CENTER, USE EXISTING HOLES AND TIE-WIRE 116673-01-000.
- 1. ALL GROUND WIRES TO BE COVERED WITH TUBING 8041-02-000.

- (9A1) ACCESSORY PACKAGE
- (78J) ELECTRICAL SYSTEM-50 AMP
- (265) CODES/STANDARDS-CSA/CMVSS
- (15Y) REFRIGERATOR/FRZR-SIDEXSIDE
- (15U) REFRIGERATOR/FRZR W/ICEMAKER
- (144) REFRIGERATOR-DOUBLE DOOR
- (12D) ELECTRICAL SYSTEM 30 AMP
- (1E3) ENERGY MANAGEMENT SYSTEM
- (1B2) WTR HTR-10GAL/ELEC/LP/MTR/AID

00 G32V (12D)(265)



- 7. THIS BREAKER MUST BE INSTALLED AND WIRED TO EMS EVEN WITHOUT (1B2)
- 6. WIRE TIE THE FOLLOWING WIRES FOR THE FIRST 2000MM; RED, GREEN, PURPLE, BROWN, 10/2; BLACK, YELLOW, YELLOW-2, WHITE, BLUE. (LEAVE A 1700 LOOP IN BLUE WIRE BEHIND LOAD CENTER.)
- 5. WITHOUT (9A1)
- 4. WIRE MUST BE 600 LONG INSIDE BOX, ALL OTHERS TO BE 300.
- 3. ALL CABLES SHALL BE COVERED WITH CONDUIT-CONVOLUTE, SLIT 41953-01-000 UNLESS OTHERWISE SPECIFIED. 600 LESS THAN CABLE LENGTH.
- 2. ATTACH WIRES TO BACKSIDE OF LOAD CENTER, USE EXISTING HOLES AND TIE-WIRE 116673-01-000.
- 1. ALL GROUND WIRES TO BE COVERED WITH TUBING 8041-02-000.

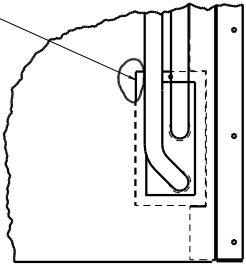
- (78J) ELECTRICAL SYSTEM-50 AMP
- (480) FLASHLIGHT
- (265) CODES/STANDARDS-CSA/CMVSS
- (228) VACUUM CLEANER-PORTABLE
- (157) REFRIGERATOR/FRZR-SIDEXSIDE
- (150) REFRIGERATOR/FRZR W/ICEMAKER
- (144) REFRIGERATOR-DOUBLE DOOR
- (1B2) WTR HTR-10GAL/ELEC/LP/MTRAIID

FOR ELECTRICAL TORQUE SPECIFICATIONS SEE DWG NO. 128783-01-000

X-X

FOR ELECTRICAL CALLOUTS SEE DWG NO. 121339-01-000

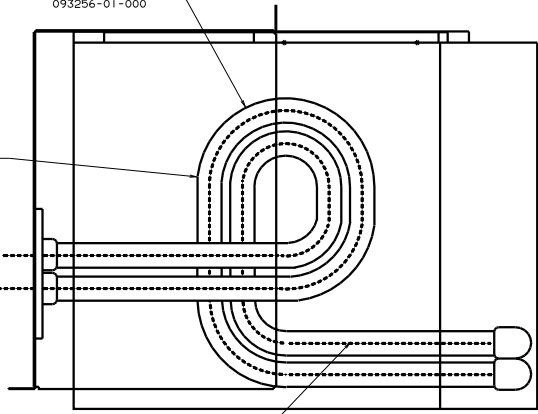
PLATE-MOUNTING CONDUIT  
106597-01-000  
SCREW  
G11-08-128(4)



ROUTE-EXTRA CONDUIT  
AS SHOWN AND  
SECURE TOGETHER  
WITH EXTRA 12V  
CONTROL WIRING WITH  
TIE-WIRE  
8343-02-000

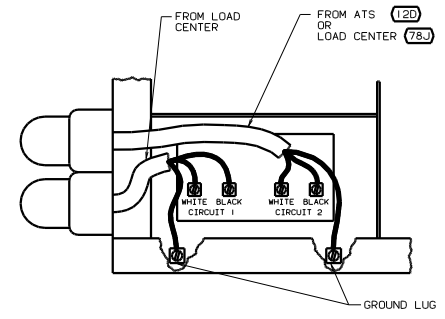
FROM ATS  
OR  
LOAD CENTER  
FROM LOAD  
CENTER

CONDUIT  
91234-01-000  
(1500)  
CONNECTOR  
91235-01-000  
CONNECTOR  
093256-01-000



CONDUIT  
91234-01-000  
(1500)  
CONNECTOR  
91235-01-000  
CONNECTOR  
093256-01-000

VIEW LA-LA

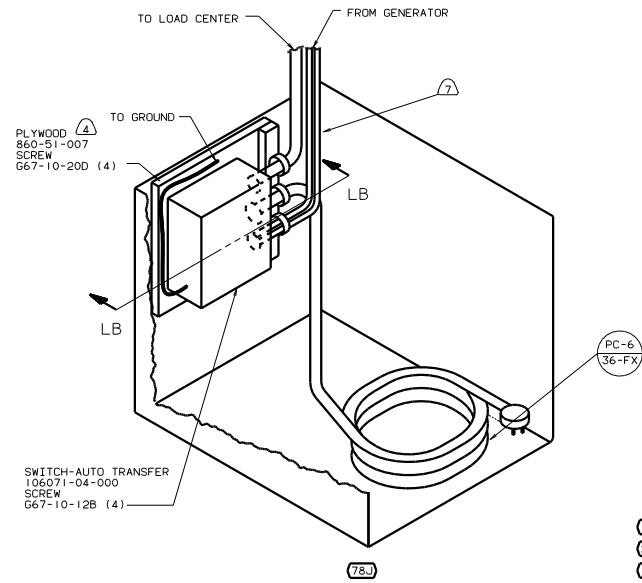
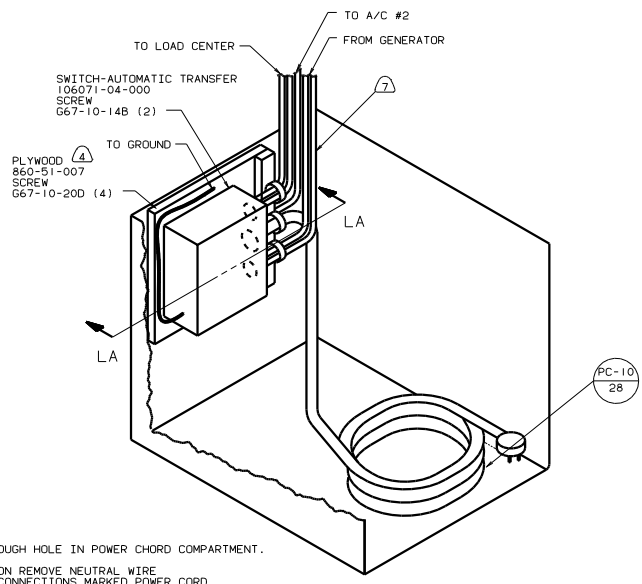
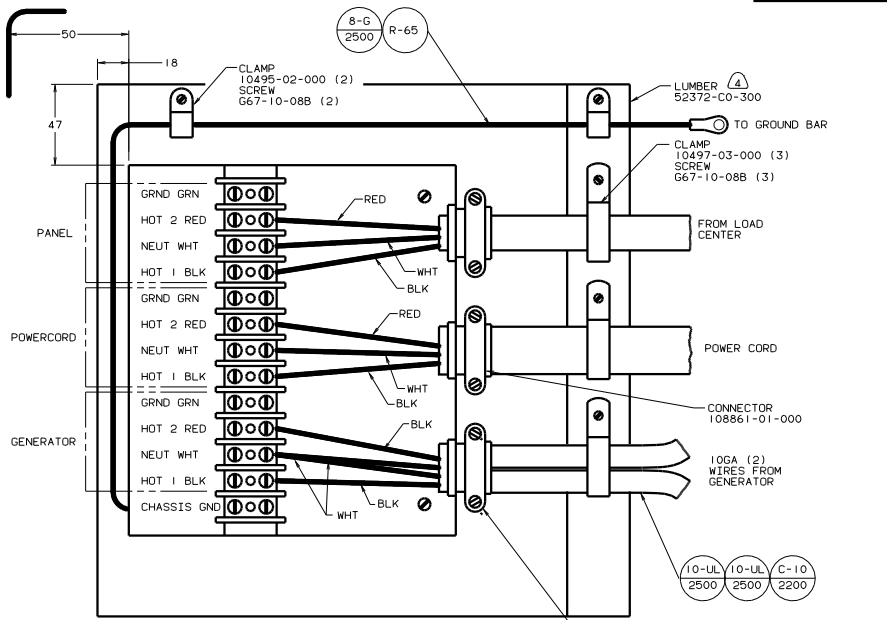
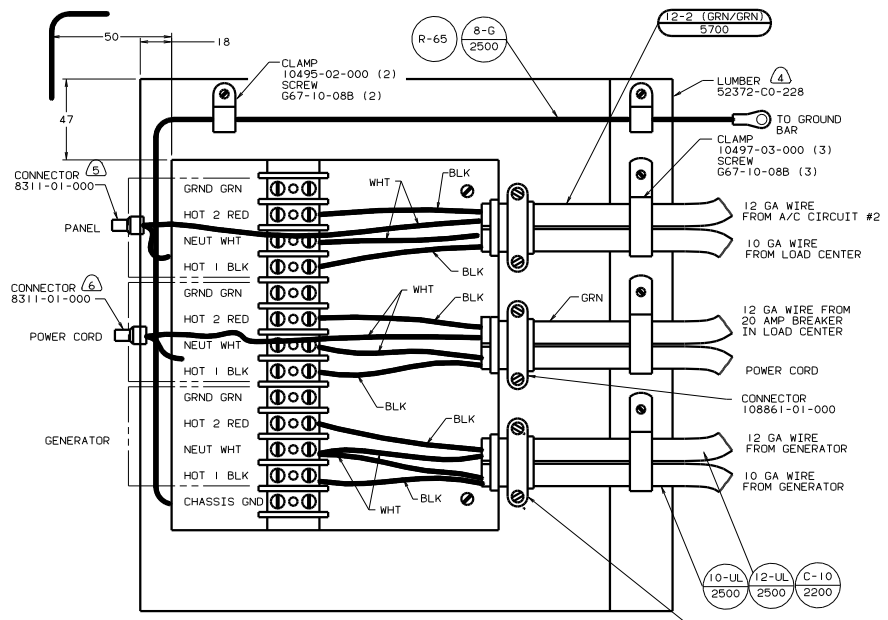


SEAL EDGES.

- (78J) ELECTRICAL SYSTEM-50 AMP
- (12D) ELECTRICAL SYSTEM 30 AMP
- (265) CODES/STANDARDS-CSA/CMVSS
- (1B1) CODES/STANDARDS USA

00 G32V (1B1) (12D) (78J) (265)

WIRING INSTL-BODY 110V(C-A/C)	
DATE SCALE DRAWING	FIG. NO.
SHEET 11 OF 14	132290

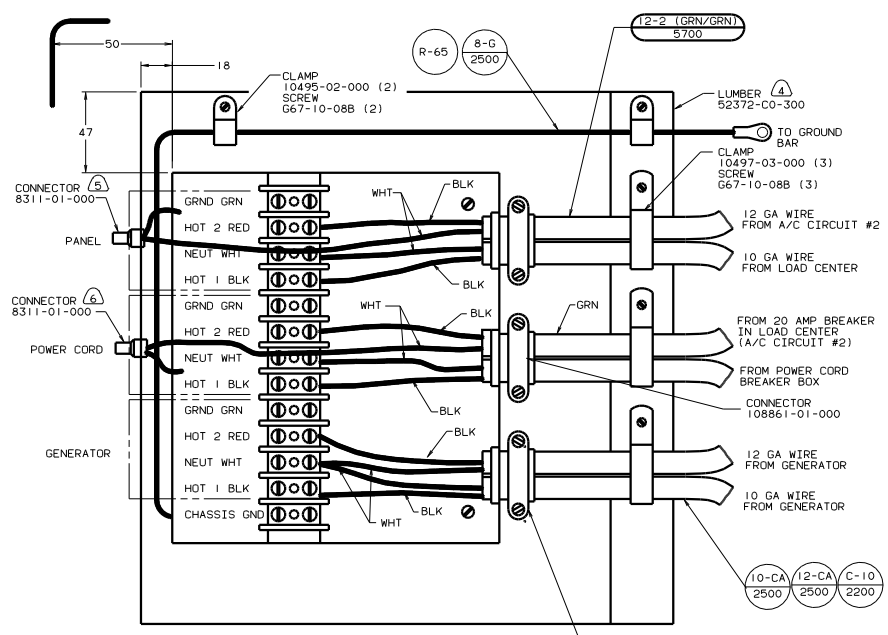


- 7. WIRES TO PASS THROUGH HOLE IN POWER CHORD COMPARTMENT.
- 6. FOR THIS CONNECTION REMOVE NEUTRAL WIRE MARKED BLUE FROM CONNECTIONS MARKED POWER CORD.
- 5. FOR THIS CONNECTION REMOVE NEUTRAL WIRE MARKED BLUE FROM CONNECTIONS MARKED PANEL.
- 4. PAINT EXPOSED SURFACE BLACK WITH 106112-01-000
- 3. ALL 110V STRANDED WIRE W/D TERMINALS TO BE STRIPPED 10MM AND SOLDER DIPPED.
- 2. GROUND WIRES NOT SHOWN FOR CLARITY.
- 1. ALL WIRES TO BE CLAMPED WITH IN 200 OF BOX.

78. ELECTRICAL SYSTEM-50 AMP  
 265 CODES/STANDARDS-CSA/CMVSS  
 12D ELECTRICAL SYSTEM 30 AMP  
 1B1 CODES/STANDARDS USA

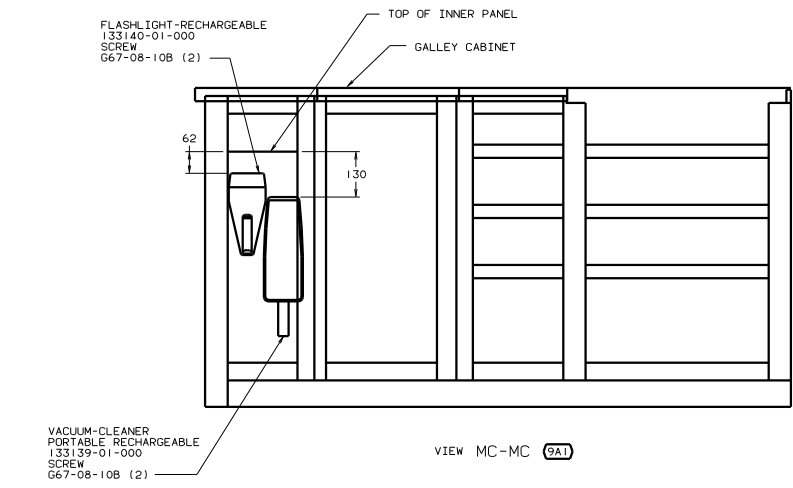
00 G32V 1B1 12D 78.1

FILE: WIRING INSTL-BODY (30AITSUS)  
 SHEET 12 OF 14 132290

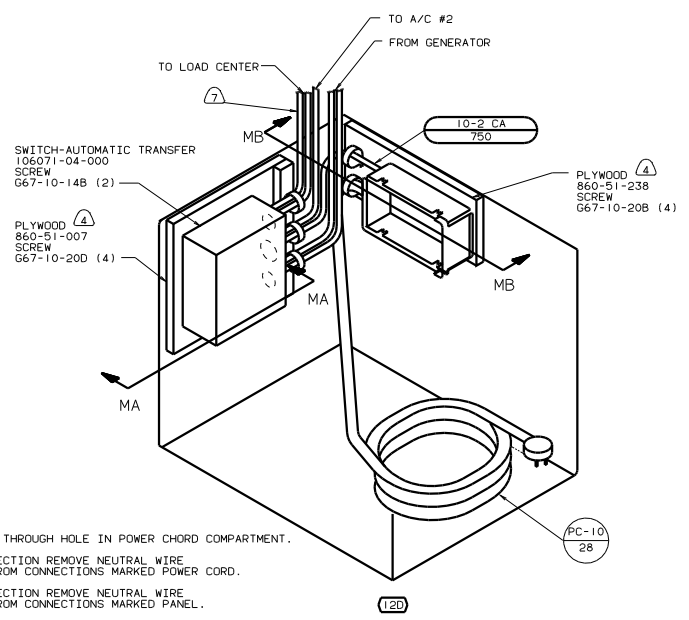


VIEW MA-MA

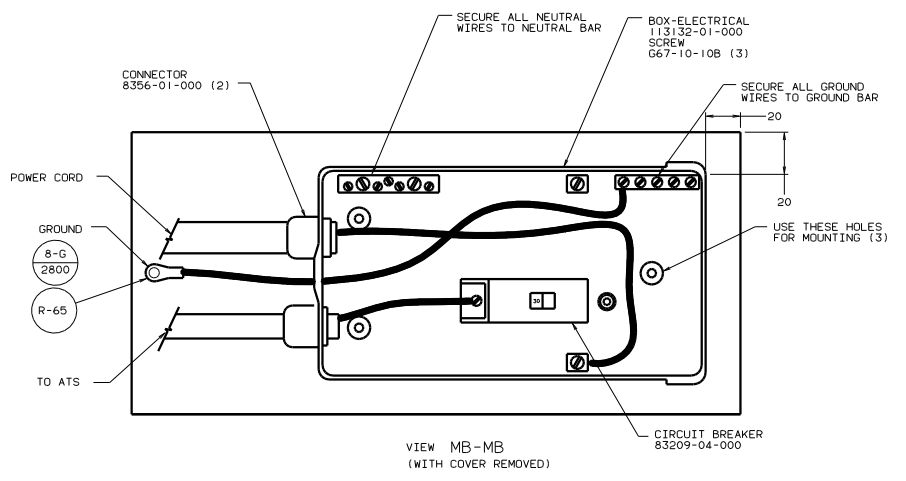
CONNECTOR 8355-02-000 (2)



VIEW MC-MC 9A1



VIEW MA-MA



VIEW MB-MB (WITH COVER REMOVED)

- 7. WIRES TO PASS THROUGH HOLE IN POWER CHORD COMPARTMENT.
  - 6. FOR THIS CONNECTION REMOVE NEUTRAL WIRE MARKED BLUE FROM CONNECTIONS MARKED POWER CORD.
  - 5. FOR THIS CONNECTION REMOVE NEUTRAL WIRE MARKED BLUE FROM CONNECTIONS MARKED PANEL.
  - 4. PAINT EXPOSED SURFACE BLACK WITH 106112-01-000
  - 3. ALL 110V STRANDED WIRE W/O TERMINALS TO BE STRIPPED 10MM AND SOLDER DIPPED.
  - 2. GROUND WIRES NOT SHOWN FOR CLARITY.
  - 1. ALL WIRES TO BE CLAMPED WITH IN 200 OF BOX.
- NOTES:

9A1 ACCESSORY PACKAGE

265 CODES/STANDARDS-CSA/CMVSS

12D ELECTRICAL SYSTEM 30 AMP

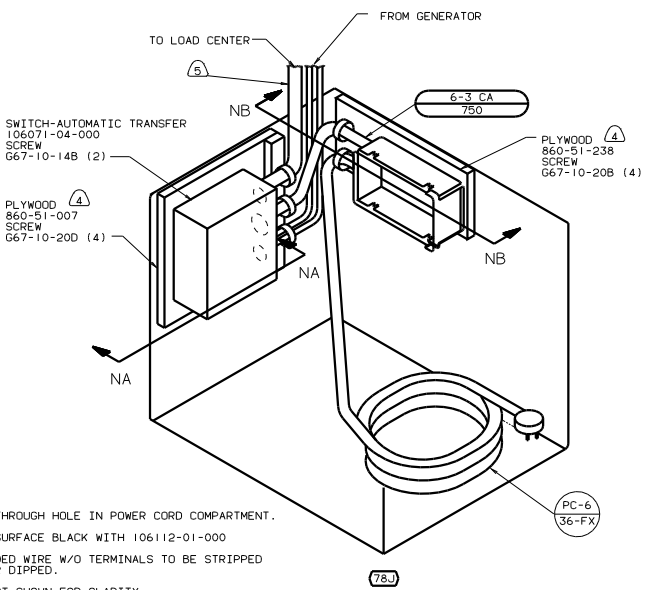
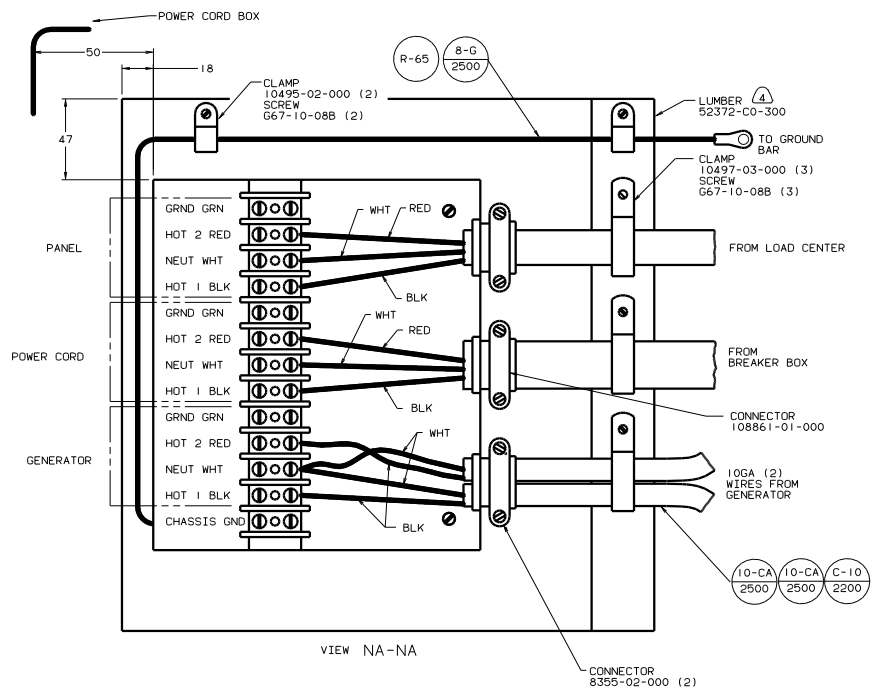
00 G32V 12D 265

FILE: WIRING INSTL-BODY (30A1SCA)

NO. SHEET 13 OF 14

FIG. 1.E

132290



- 5 WIRES TO PASS THROUGH HOLE IN POWER CORD COMPARTMENT.
- 4 PAINT EXPOSED SURFACE BLACK WITH 106112-01-000
- 3 ALL 110V STRANDED WIRE W/O TERMINALS TO BE STRIPPED 10MM AND SOLDER DIPPED.
- 2 GROUND WIRES NOT SHOWN FOR CLARITY.
- 1 ALL WIRES TO BE CLAMPED WITH IN 200 OF BOX.
- NOTES:

78J ELECTRICAL SYSTEM-50 AMP

265 CODES/STANDARDS-CSA/CMVSS

00 G32V 265 78J

TITLE		WIRING INSTL-BODY (50A/ISCA)	
NO. OF SHEETS	1 OF 14	REV	1.0
SHEET 14 OF 14		132290	