



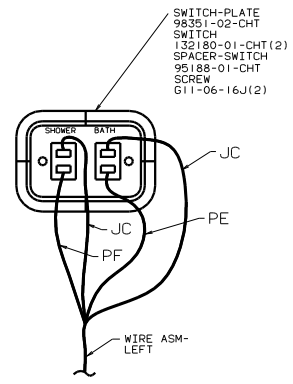
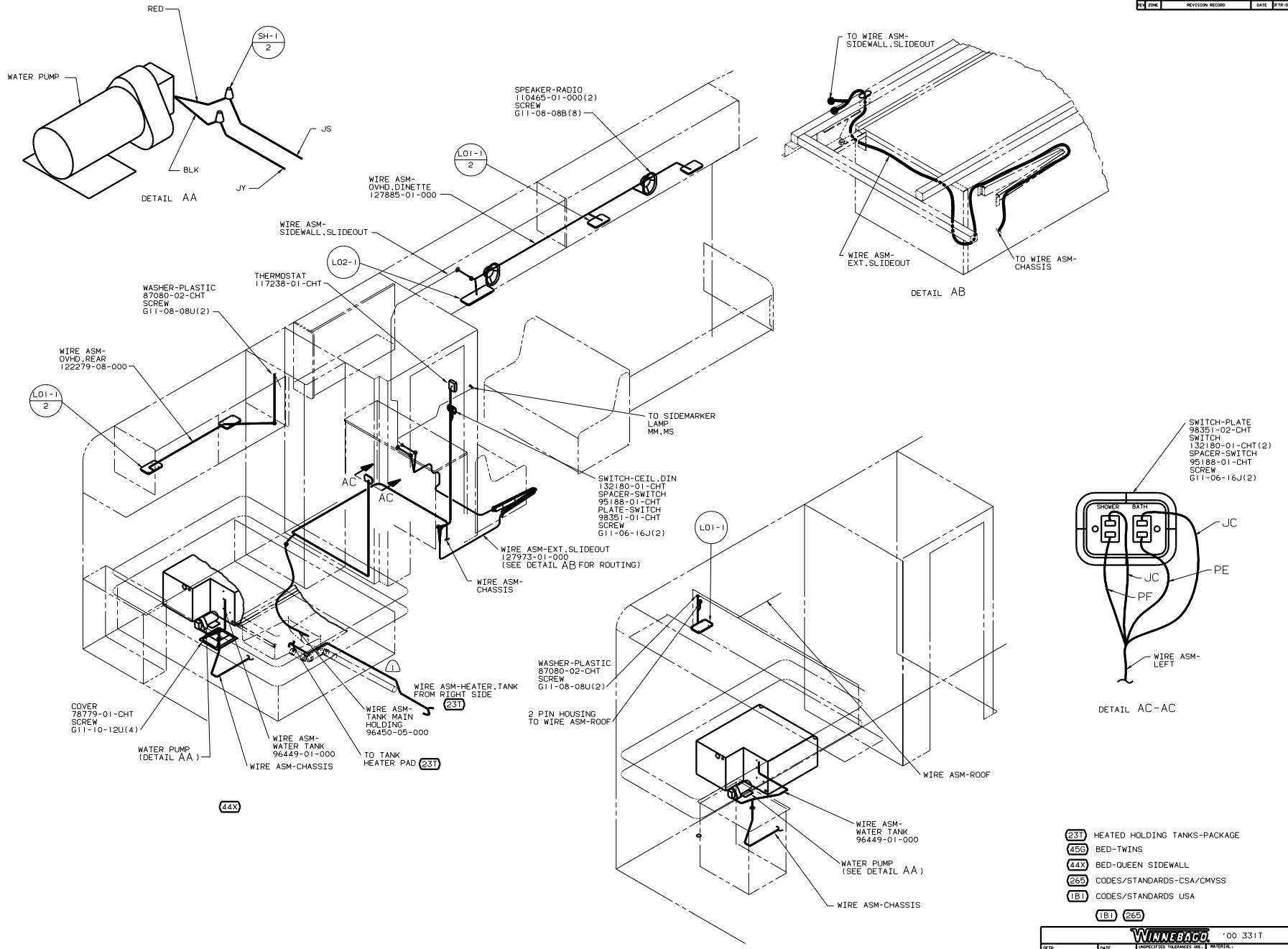
DANGER

Danger of electrical shock, burns or death. Always remove all power sources before attempting any repair, service or diagnostic work. Power can be present from shore power, generator, inverter or battery. All power sources must be disabled and secured before performing any service.



CAUTION

If you lack the skills, tools or equipment to perform diagnostic or repair work leave such work to an authorized Winnebago Industries dealer or other qualified shop.



DETAIL AC-AC

- (231) HEATED HOLDING TANKS-PACKAGE
- (450) BED-TWINS
- (44X) BED-QUEEN SIDEWALL
- (265) CODES/STANDARDS-CSA/CMVSS
- (1B1) CODES/STANDARDS USA
- (1B1) (265)

WINNEBAGO '00 331T

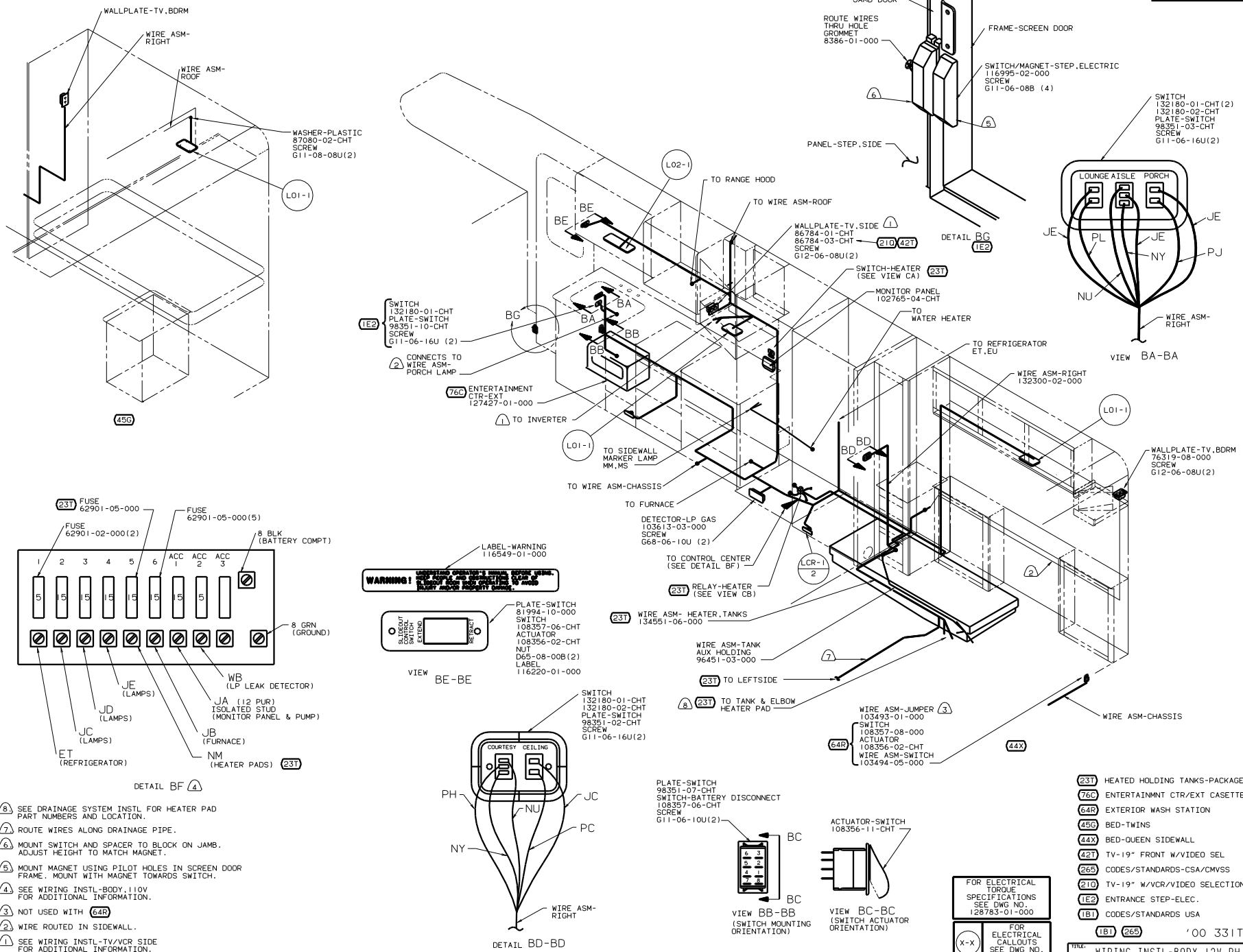
OF IN	DATE	UNSPECIFIED TOLERANCES ARE:	MATERIAL
CHP	DATE	WELD DIM (X)	
PIE	DATE	ONE-PLACE (X.X)	
D/E	DATE	TWO-PLACE (X.XX)	
DATE	DATE	MILS	
DATE	DATE	THIRD WHOLE	
DATE	DATE	PRODUCTION	

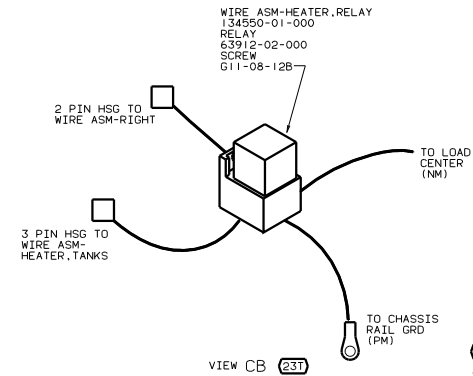
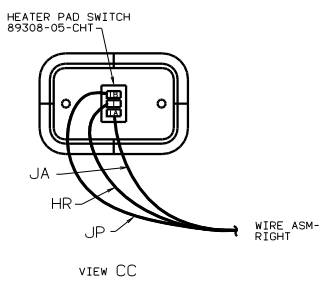
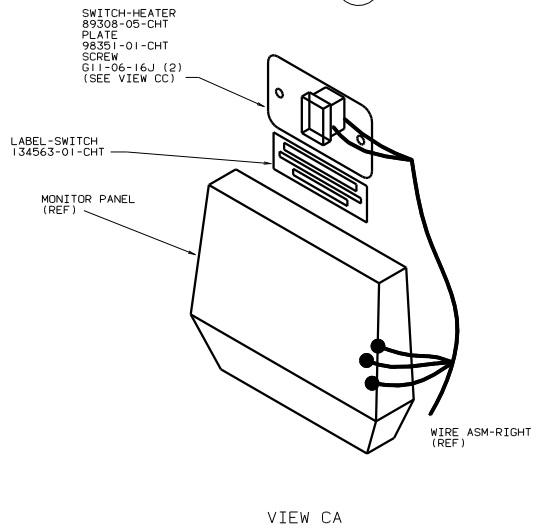
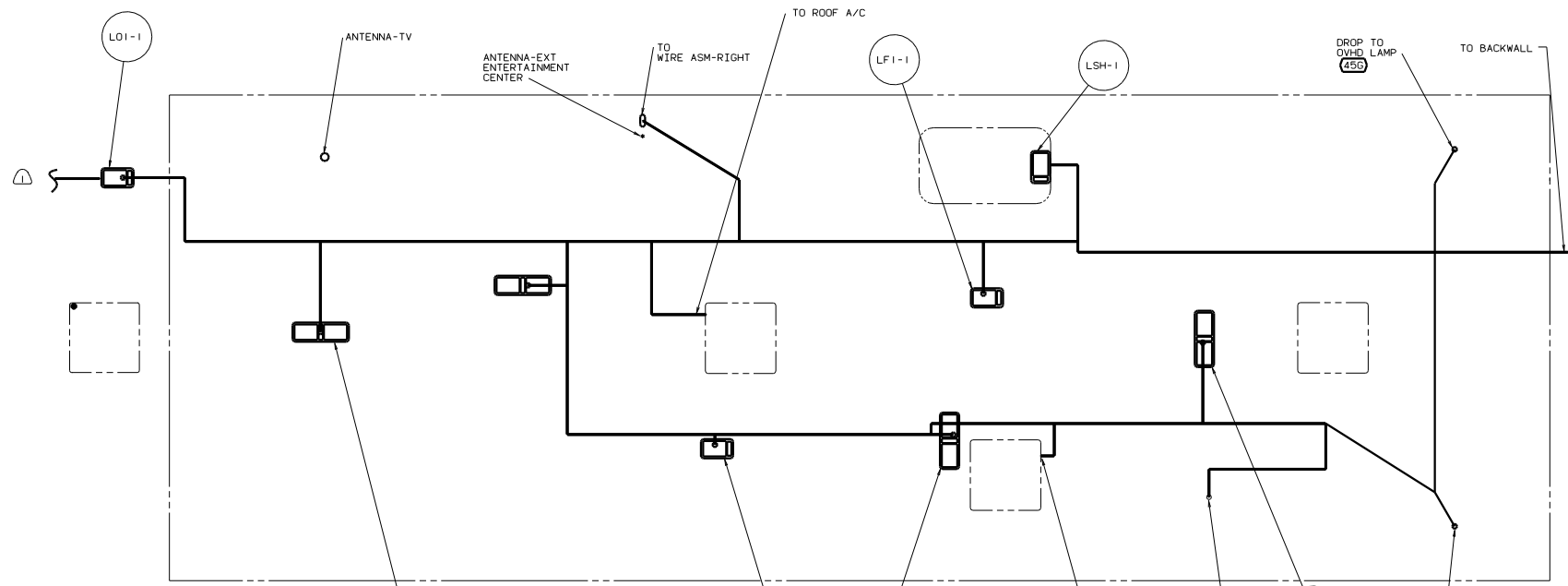
DRAWING NO. **WIRING INSTL - BODY, 12V (LH)** SHEET 1 OF 5
 REF: 130374 D I 132252

NOTES:
 2. SEE DRAINAGE SYSTEM INSTL. FOR HEATER PAD PART NUMBERS AND LOCATION.
 1. ROUTE WIRES ALONG DRAINAGE PIPE.

FOR ELECTRICAL TORQUE SPECIFICATIONS SEE DWG NO. 128783-01-000

(X-X) FOR ELECTRICAL CALLOUTS SEE DWG NO. 121339-01-000

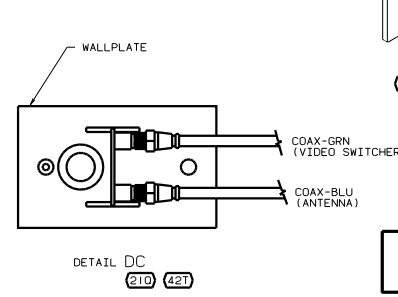
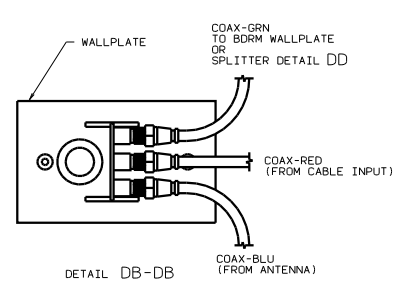
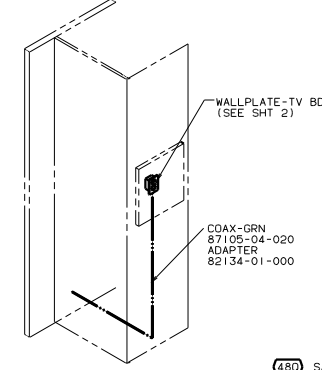
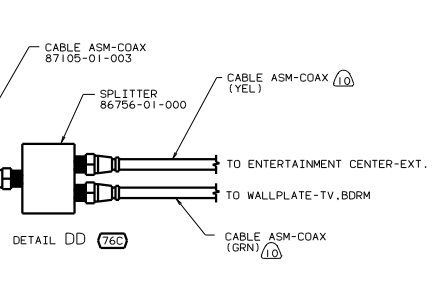
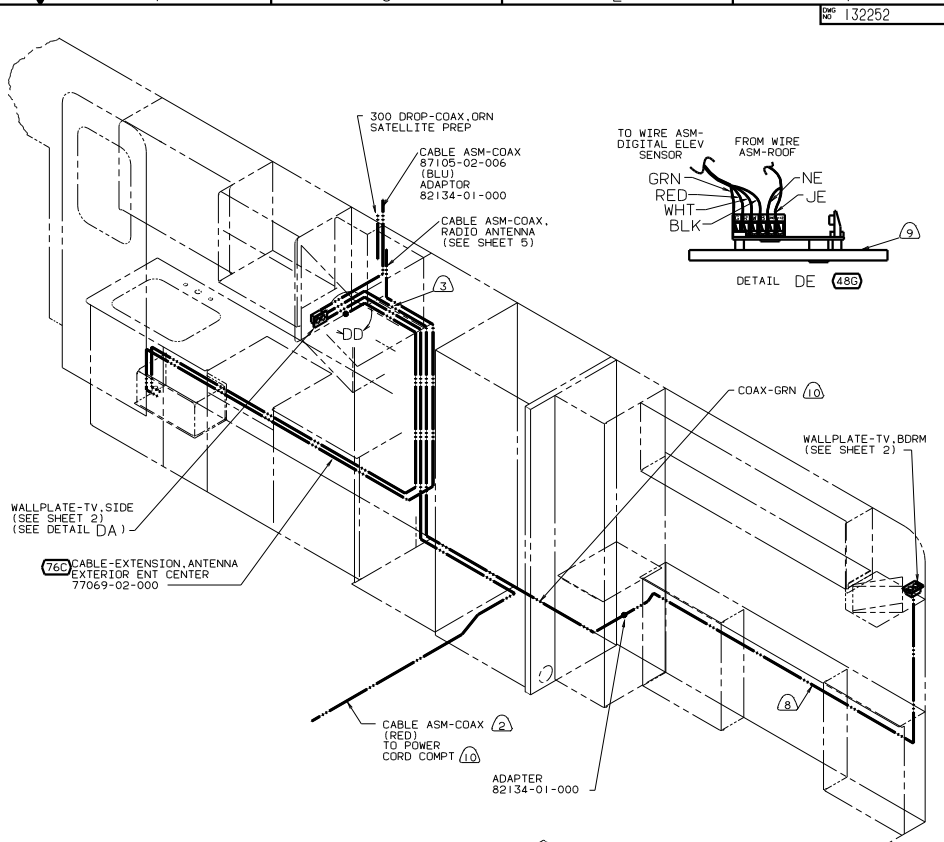
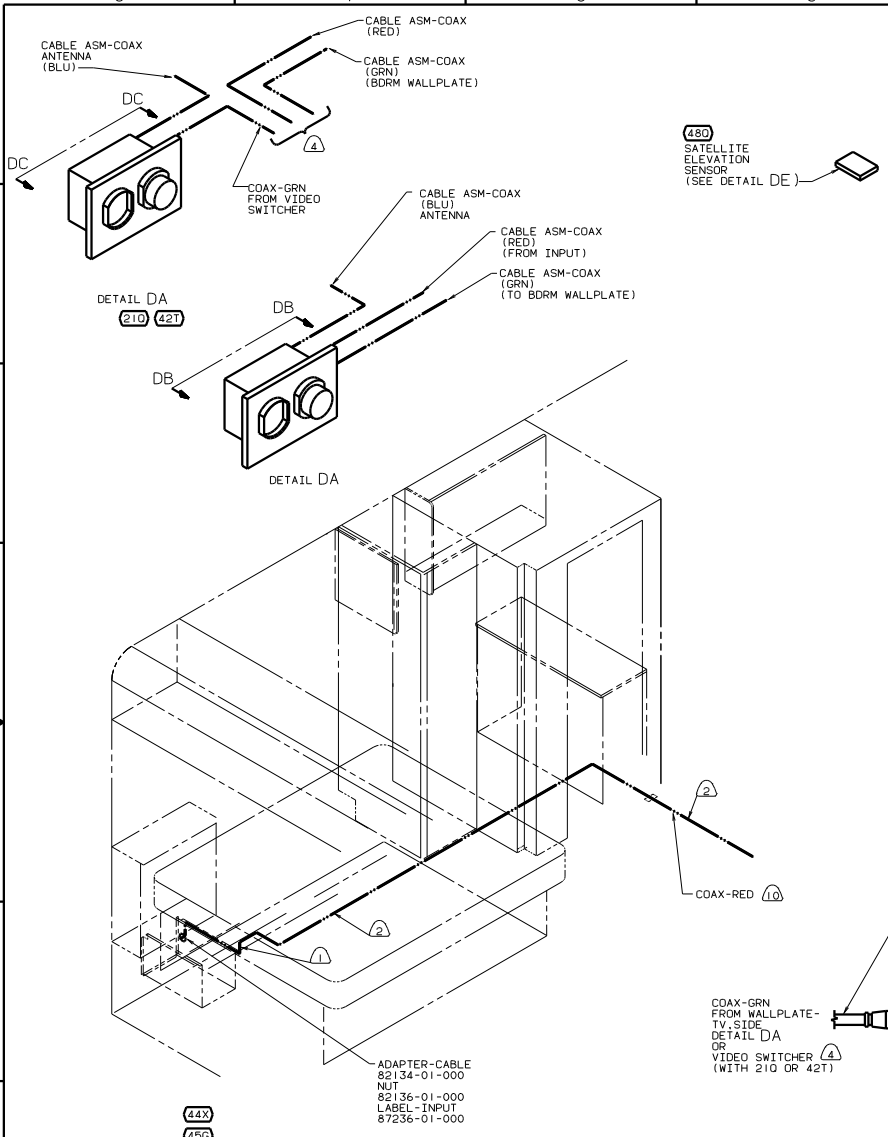




NOTES:
 △ CONNECT WIRE ASM-ROOF TO WIRE ASM-CLEARANCE LAMPS

- (23T) HEATED HOLDING TANKS-PACKAGE
- (48M) LIGHTS-INCANDESCENT
- (265) CODES/STANDARDS-CSA/CMWSS
- (181) CODES/STANDARDS USA

FILE:	00 331 T
WIRING INSTL-BODY, 12V (CELL)	
NO. OF SHEETS	5
SHEET NO.	3
REV.	1
DATE	132252

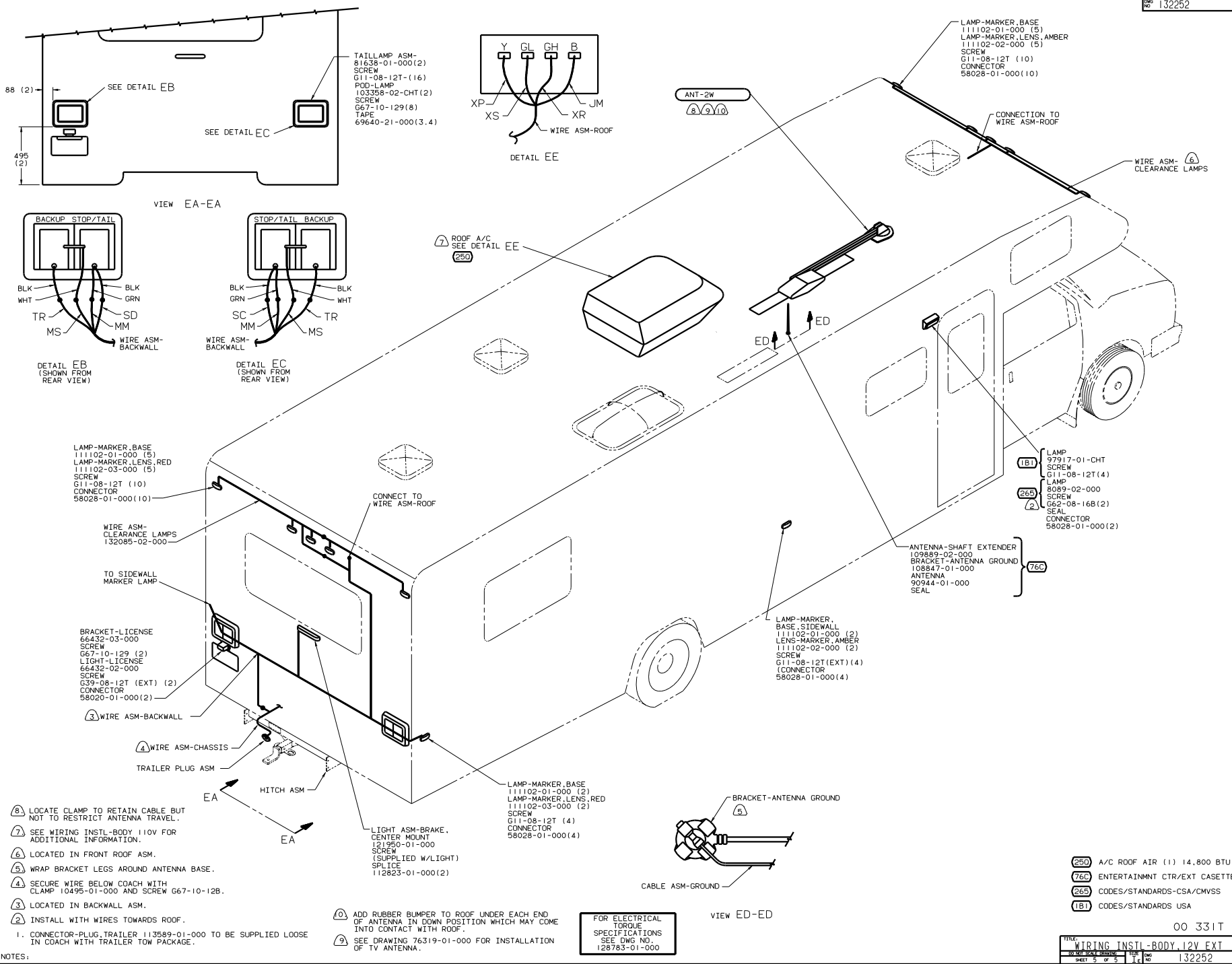


- NOTES:
- (10) COAX IS AN INTEGRAL PART OF WIRE ASM-RIGHT
 - (9) SENSOR SUPPLIED WITH SATELLITE ASSEMBLY.
 - (8) WIRE ROUTED IN SIDEWALL.
 - (7) DELETE
 - (6) DELETE
 - (5) DELETE
 - (4) SEE WIRING INSTL-TV/VCR SIDE FOR ADDITIONAL INFORMATION.
 - (3) WITH SIDE TV ENTERTAINMENT CENTER COIL EXCESS LENGTHS OF COAX INTO INDIVIDUAL BUNDLES AND TIE WITH 8343-01-000. SECURE BUNDLES BEHIND CLOSEOUT PANEL.
 - (2) WIRE ROUTED THRU FLOOR.
 - (1) CABLE IS ROUTED UNDER FLOOR. EXTERIOR TO COMPARTMENT.

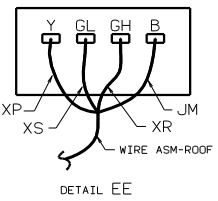
FOR ELECTRICAL TORQUE SPECIFICATIONS SEE DWG NO. 128783-01-000

(480)	SATELLITE DISH
(76C)	ENTERTAINMENT CTR/EXT CASSETTE
(45G)	BED-TWINS
(44X)	BED-QUEEN SIDEWALL
(42T)	TV-19" FRONT W/VIDEO SEL
(26S)	CODES/STANDARDS-CSA/CMVSS
(210)	TV-19" W/VCR/VIDEO SELECTION
(1B1)	CODES/STANDARDS USA
(1B1) (26S)	00 331T

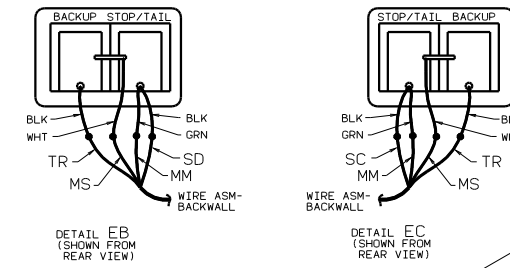
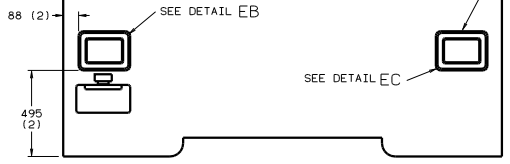
TITLE: WIRING INSTL-BODY, 12V COAX
 SHEET 4 OF 5
 132252



TAILLAMP ASM-81638-01-000(2)
 SCREW G11-08-12T(16)
 POD-LAMP 103358-02-CHT(2)
 SCREW G67-10-129(8)
 TAPE 69640-21-000(3.4)



LAMP-MARKER, BASE 111102-01-000 (5)
 LAMP-MARKER, LENS, AMBER 111102-02-000 (5)
 SCREW G11-08-12T (10)
 CONNECTOR 58028-01-000(10)



LAMP-MARKER, BASE 111102-01-000 (5)
 LAMP-MARKER, LENS, RED 111102-03-000 (5)
 SCREW G11-08-12T (10)
 CONNECTOR 58028-01-000(10)

BRACKET-LICENSE 66432-03-000
 SCREW G67-10-129 (2)
 LIGHT-LICENSE 66432-02-000
 SCREW G39-08-12T (EXT) (2)
 CONNECTOR 58020-01-000(2)

- ⑧ LOCATE CLAMP TO RETAIN CABLE BUT NOT TO RESTRICT ANTENNA TRAVEL.
- ⑦ SEE WIRING INSTL-BODY 110V FOR ADDITIONAL INFORMATION.
- ⑥ LOCATED IN FRONT ROOF ASM.
- ⑤ WRAP BRACKET LEGS AROUND ANTENNA BASE.
- ④ SECURE WIRE BELOW COACH WITH CLAMP 10495-01-000 AND SCREW G67-10-12B.
- ③ LOCATED IN BACKWALL ASM.
- ② INSTALL WITH WIRES TOWARDS ROOF.

- ① CONNECTOR-PLUG, TRAILER 113589-01-000 TO BE SUPPLIED LOOSE IN COACH WITH TRAILER TOW PACKAGE.
- ⑩ ADD RUBBER BUMPER TO ROOF UNDER EACH END OF ANTENNA IN DOWN POSITION WHICH MAY COME INTO CONTACT WITH ROOF.
- ⑨ SEE DRAWING 76319-01-000 FOR INSTALLATION OF TV ANTENNA.

FOR ELECTRICAL TORQUE SPECIFICATIONS SEE DWG NO. 128783-01-000

LAMP 97917-01-CHT
 SCREW G11-08-12T(4)
 LAMP 8089-02-000
 SCREW G62-08-16B(2)
 SEAL CONNECTOR 58028-01-000(2)

ANTENNA-SHAFT EXTENDER 109889-02-000
 BRACKET-ANTENNA GROUND 108847-01-000
 ANTENNA 90944-01-000
 SEAL

LAMP-MARKER, BASE, SIDEWALL 111102-01-000 (2)
 LENS-MARKER, AMBER 111102-02-000 (2)
 SCREW G11-08-12T (EXT) (4)
 CONNECTOR 58028-01-000(4)

LAMP-MARKER, BASE 111102-01-000 (2)
 LAMP-MARKER, LENS, RED 111102-03-000 (2)
 SCREW G11-08-12T (4)
 CONNECTOR 58028-01-000(4)

LIGHT ASM-BRAKE, CENTER MOUNT 121950-01-000
 SCREW (SUPPLIED W/LIGHT) 112823-01-000(2)

- ②50 A/C ROOF AIR (1) 14.800 BTU
- ⑦6C ENTERTAINMENT CTR/EXT CASSETTE
- ②65 CODES/STANDARDS-CSA/CMVSS
- ①B1 CODES/STANDARDS-USA