



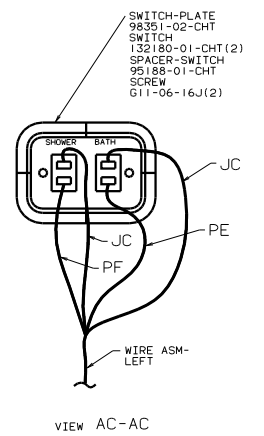
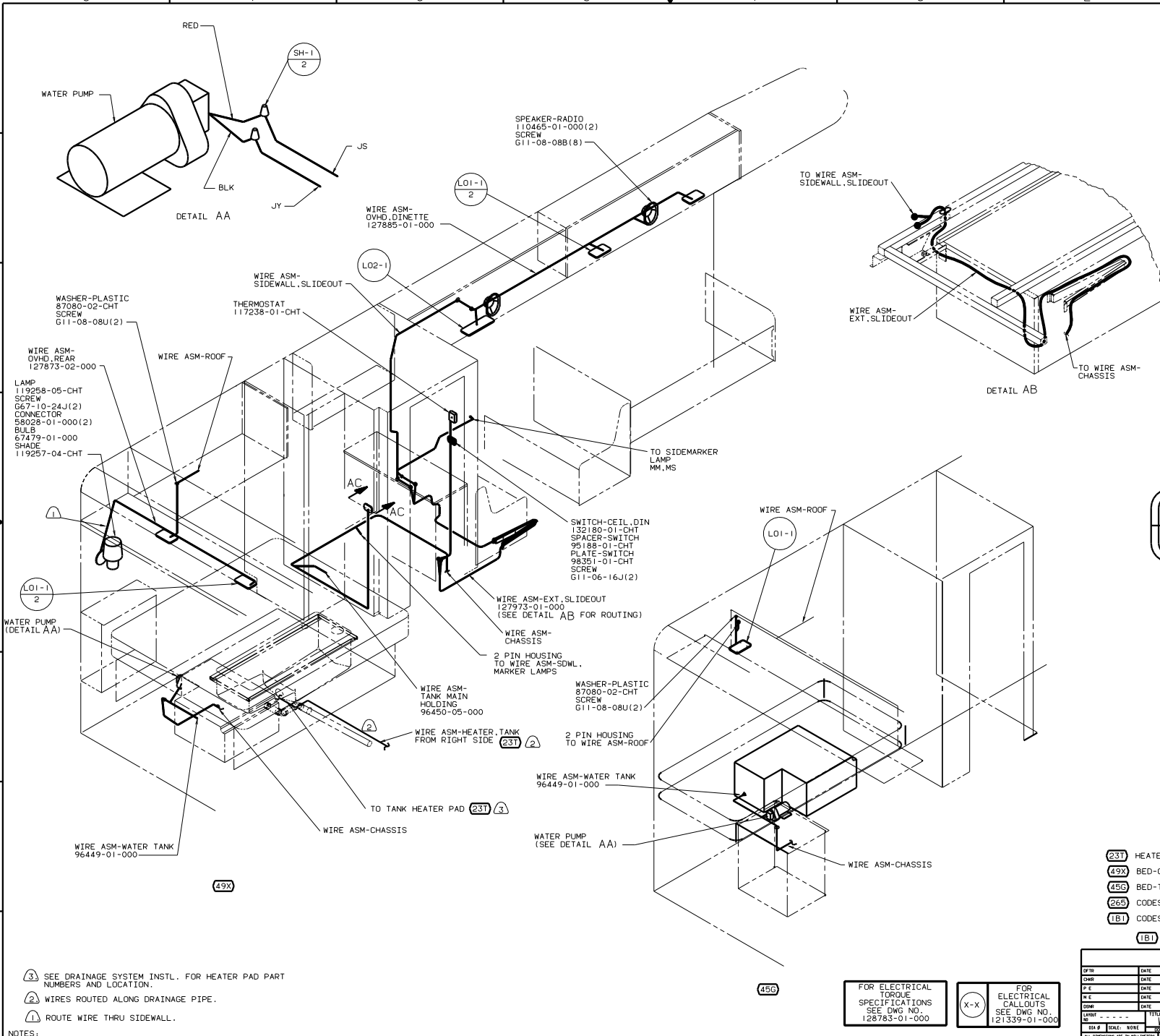
DANGER

Danger of electrical shock, burns or death. Always remove all power sources before attempting any repair, service or diagnostic work. Power can be present from shore power, generator, inverter or battery. All power sources must be disabled and secured before performing any service.



CAUTION

If you lack the skills, tools or equipment to perform diagnostic or repair work leave such work to an authorized Winnebago Industries dealer or other qualified shop.



- (231) HEATED HOLDING TANKS-PACKAGE
- (49X) BED-QUEEN - BACKWALL
- (45G) BED-TWINS
- (265) CODES/STANDARDS-CSA/CMVSS
- (1B1) CODES/STANDARDS USA
- (1B1) (265)

NOTES:
 (3) SEE DRAINAGE SYSTEM INSTL. FOR HEATER PAD PART NUMBERS AND LOCATION.
 (2) WIRES ROUTED ALONG DRAINAGE PIPE.
 (1) ROUTE WIRE THRU SIDEWALL.

FOR ELECTRICAL TORQUE SPECIFICATIONS SEE DWG NO. 128783-01-000

FOR ELECTRICAL CALLOUTS SEE DWG NO. 121339-01-000

OF IN	DATE	UNSPECIFIED TOLERANCES ARE:	MATERIAL
CHP	DATE	WHOLE DIM (X)	
FWE	DATE	ONE-PLACE (X.X)	
FWE	DATE	TWO-PLACE (X.XX)	
CON	DATE	THREE-PLACE (X.XXX)	

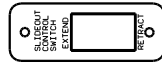
WINNEBAGO '00 331C
 WIRING INSTL - BODY, 12V (LH)
 SHEET 1 OF 5
 REF: 130371 C I 132249

LABEL-WARNING
116549-01-000

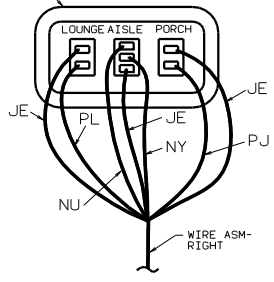
WARNING! WARNING: ELECTRICAL SHOCK HAZARD. DO NOT TOUCH ELECTRICAL COMPONENTS OR WIRING UNLESS YOU ARE QUALIFIED TO DO SO. ALWAYS DISCONNECT POWER BEFORE WORKING ON ELECTRICAL SYSTEMS.

SWITCH
132180-01-CHT (2)
132180-02-CHT
PLATE SWITCH
98351-03-CHT
SCREW
G11-06-16U(2)

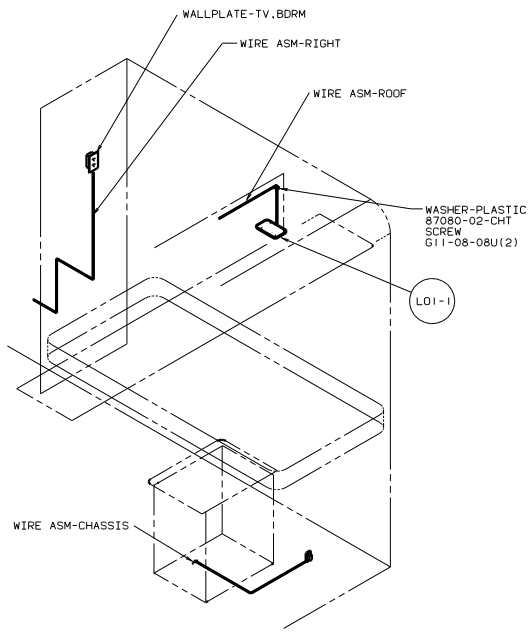
PLATE-SWITCH
81994-10-000
SWITCH
108357-06-CHT
ACTUATOR
108356-02-CHT
NUT
D65-08-00B(2)
LABEL
116220-01-000



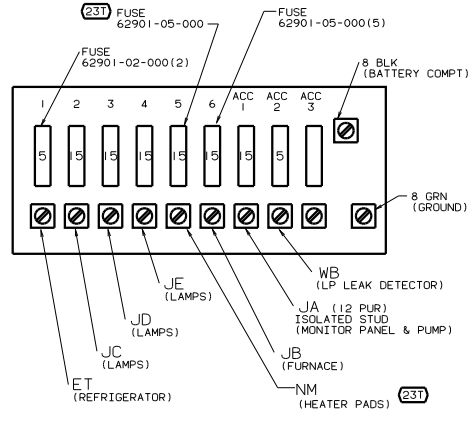
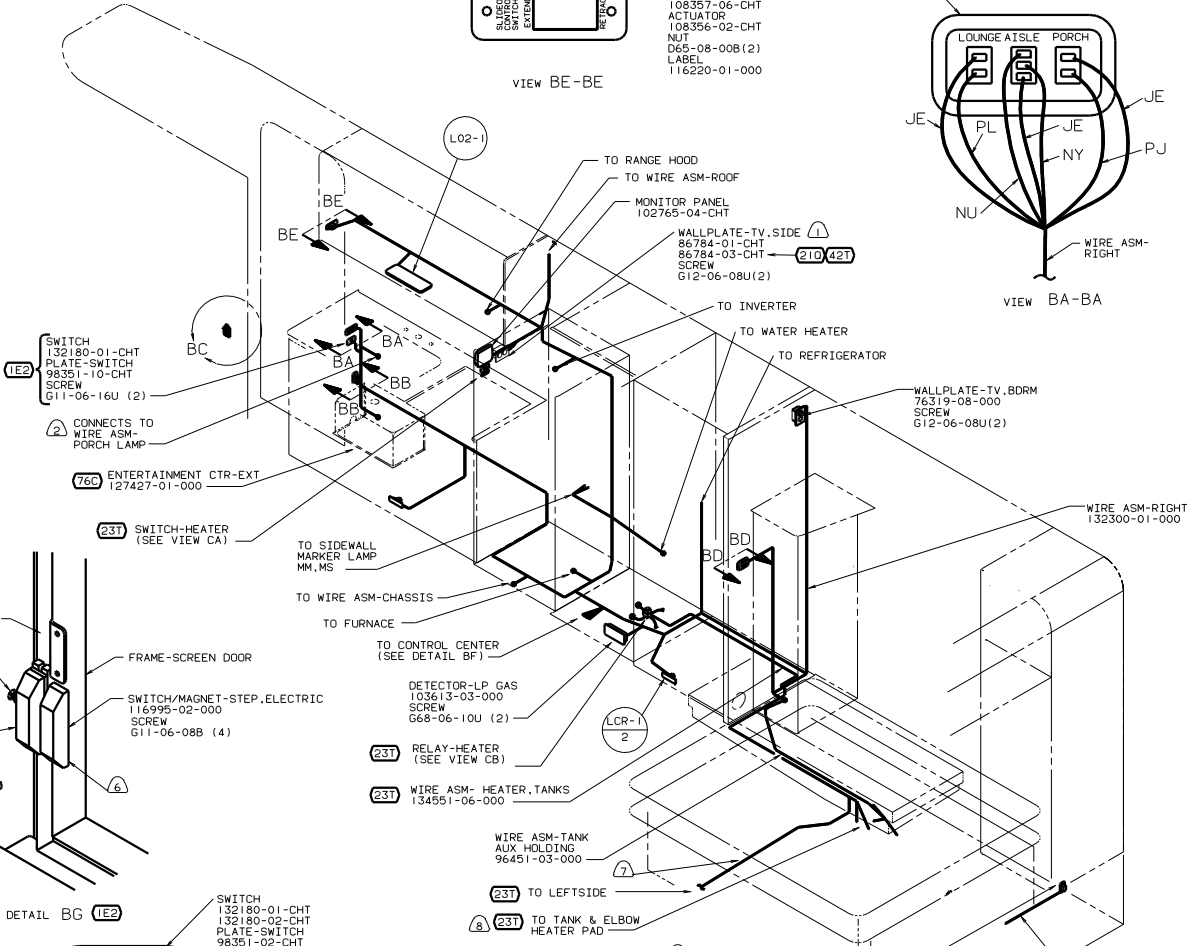
VIEW BE-BE



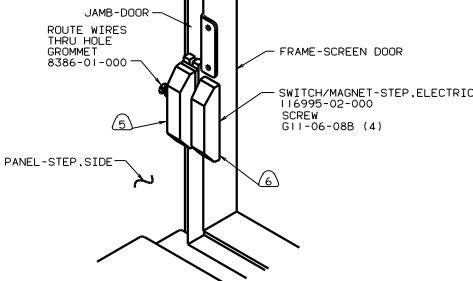
VIEW BA-BA



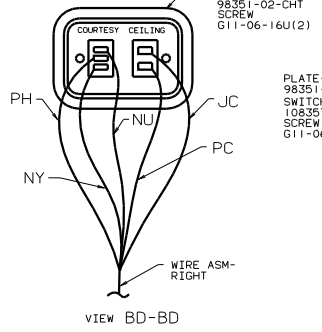
45G



DETAIL BF 4

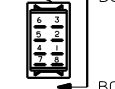


DETAIL BG 1E2

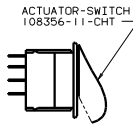


VIEW BD-BD

PLATE-SWITCH
98351-07-CHT
SWITCH-BATTERY DISCONNECT
108357-06-CHT
SCREW
G11-06-10U(2)



VIEW BB-BB (SWITCH MOUNTING ORIENTATION)



VIEW BC-BC (SWITCH ACTUATOR ORIENTATION)

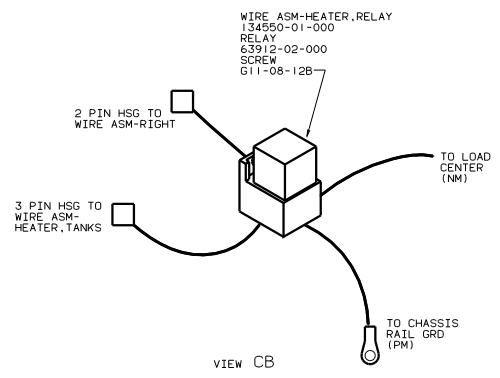
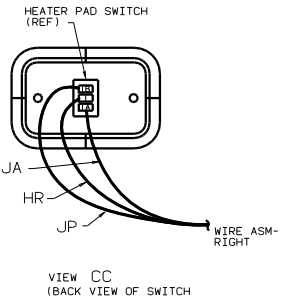
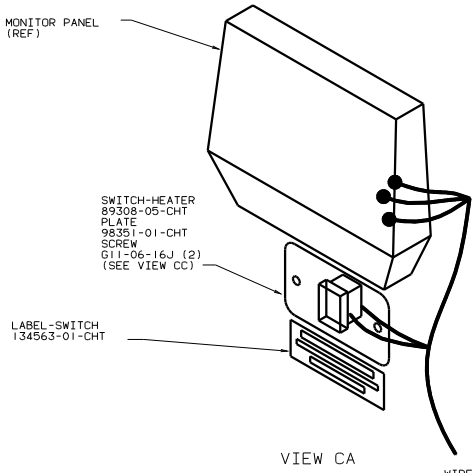
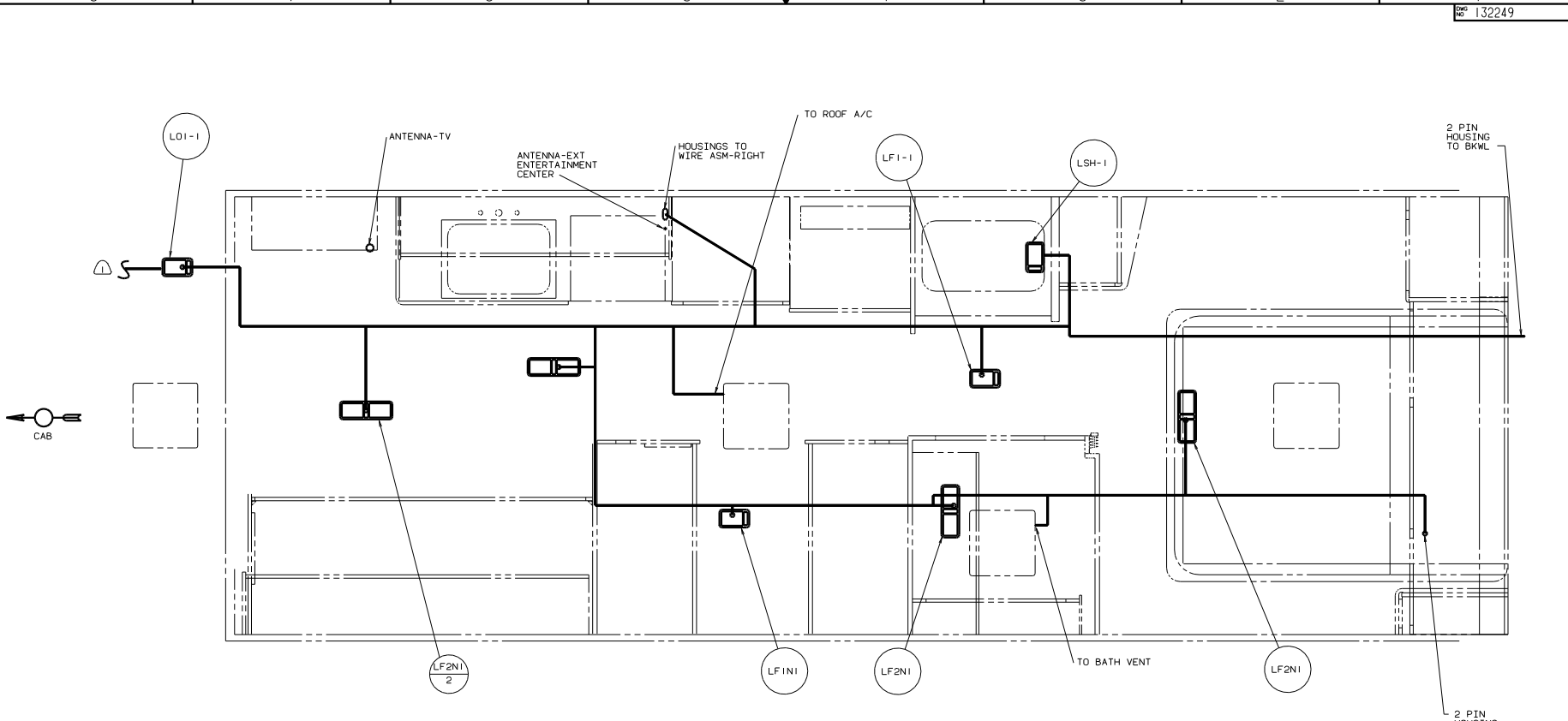
- 8 SEE DRAINAGE SYSTEM INSTL. FOR HEATER PAD PART NUMBERS AND LOCATION.
- 7 ROUTE WIRES ALONG DRAINAGE PIPE.
- 6 MOUNT MAGNET USING PILOT HOLES IN SCREEN DOOR FRAME MOUNT WITH MAGNET TOWARD SWITCH.
- 5 MOUNT SWITCH AND SPACER TO BLOCK ON JAMB ADJUST HEIGHT TO MATCH MAGNET.
- 4 SEE WIRING INSTL-BODY. 110V FOR ADDITIONAL INFORMATION.
- 3 NOT USED WITH 64R
- 2 WIRE ROUTED IN SIDEWALL.
- 1 SEE WIRING INSTL-TV/VCR SIDE FOR ADDITIONAL INFORMATION.

- 23T HEATED HOLDING TANKS-PACKAGE
- 76C ENTERTAINMNT CTR/EXT CASSETTE
- 64R EXTERIOR WASH STATION
- 49X BED-QUEEN - BACKWALL
- 45G BED-TWINS
- 42T TV-19" FRONT W/VIDEO SEL
- 26S CODES/STANDARDS-CSA/CMVSS
- 21D TV-19" W/VCR/VIDEO SELECTION
- 1E2 ENTRANCE STEP-ELEC.
- 1B1 CODES/STANDARDS USA

FOR ELECTRICAL TORQUE SPECIFICATIONS SEE DWG NO. 128783-01-000

FOR ELECTRICAL CALLOUTS SEE DWG NO. 121339-01-000

WIRING INSTL-BODY. 12V (RH)
132249



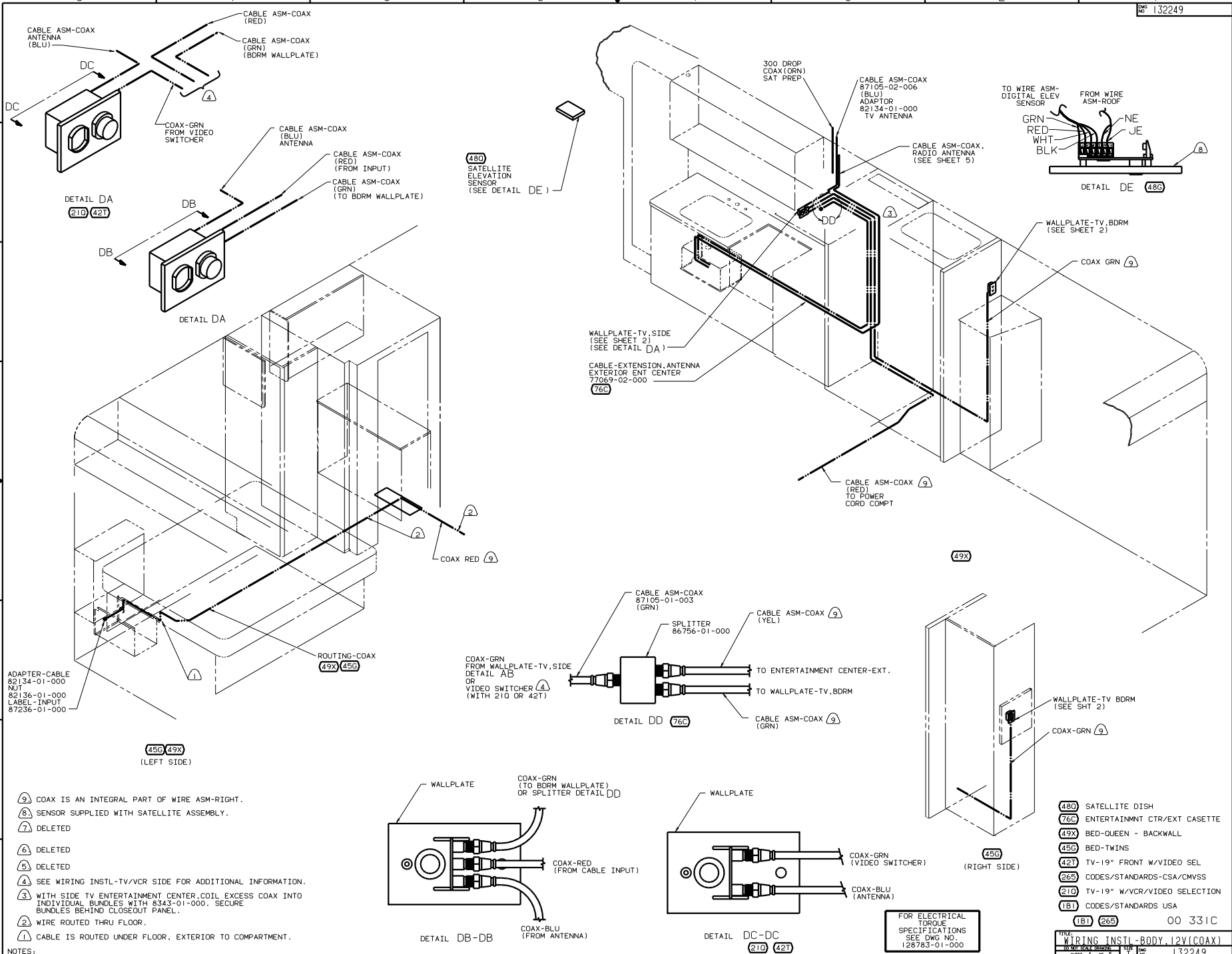
CONNECT WIRE ASM-ROOF TO WIRE ASM-CLEARANCE LAMPS

NOTES:

- (231) HEATED HOLDING TANKS-PACKAGE
- (265) CODES/STANDARDS-CSA/CMVSS
- (181) CODES/STANDARDS USA

FILE NO	132249
TITLE	WIRING INSTL-BODY, 12V (CELL)
SHEET	3 OF 5
REV	1 E
DATE	132249

(181) (265) 00 331C

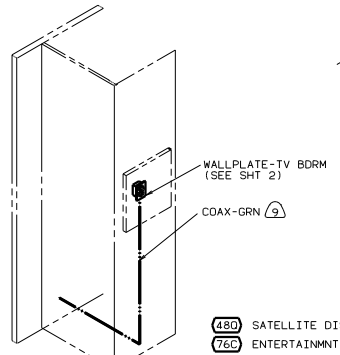
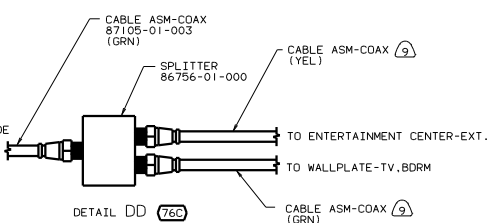
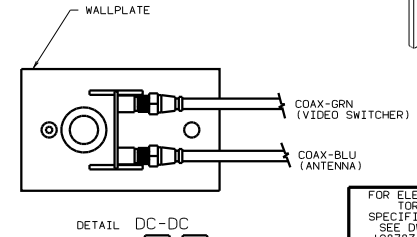
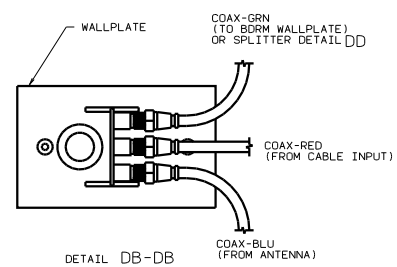


ADAPTER-CABLE
82134-01-000
NUT
82136-01-000
LABEL-INPUT
87236-01-000

45B 49X
(LEFT SIDE)

- ⑨ COAX IS AN INTEGRAL PART OF WIRE ASM-RIGHT.
- ⑧ SENSOR SUPPLIED WITH SATELLITE ASSEMBLY.
- ⑦ DELETED
- ⑥ DELETED
- ⑤ DELETED
- ④ SEE WIRING INSTL-TV/VCR SIDE FOR ADDITIONAL INFORMATION.
- ③ WITH SIDE TV ENTERTAINMENT CENTER, COIL EXCESS COAX INTO INDIVIDUAL BUNDLES WITH 8343-01-000. SECURE BUNDLES BEHIND CLOSEOUT PANEL.
- ② WIRE ROUTED THRU FLOOR.
- ① CABLE IS ROUTED UNDER FLOOR. EXTERIOR TO COMPARTMENT.

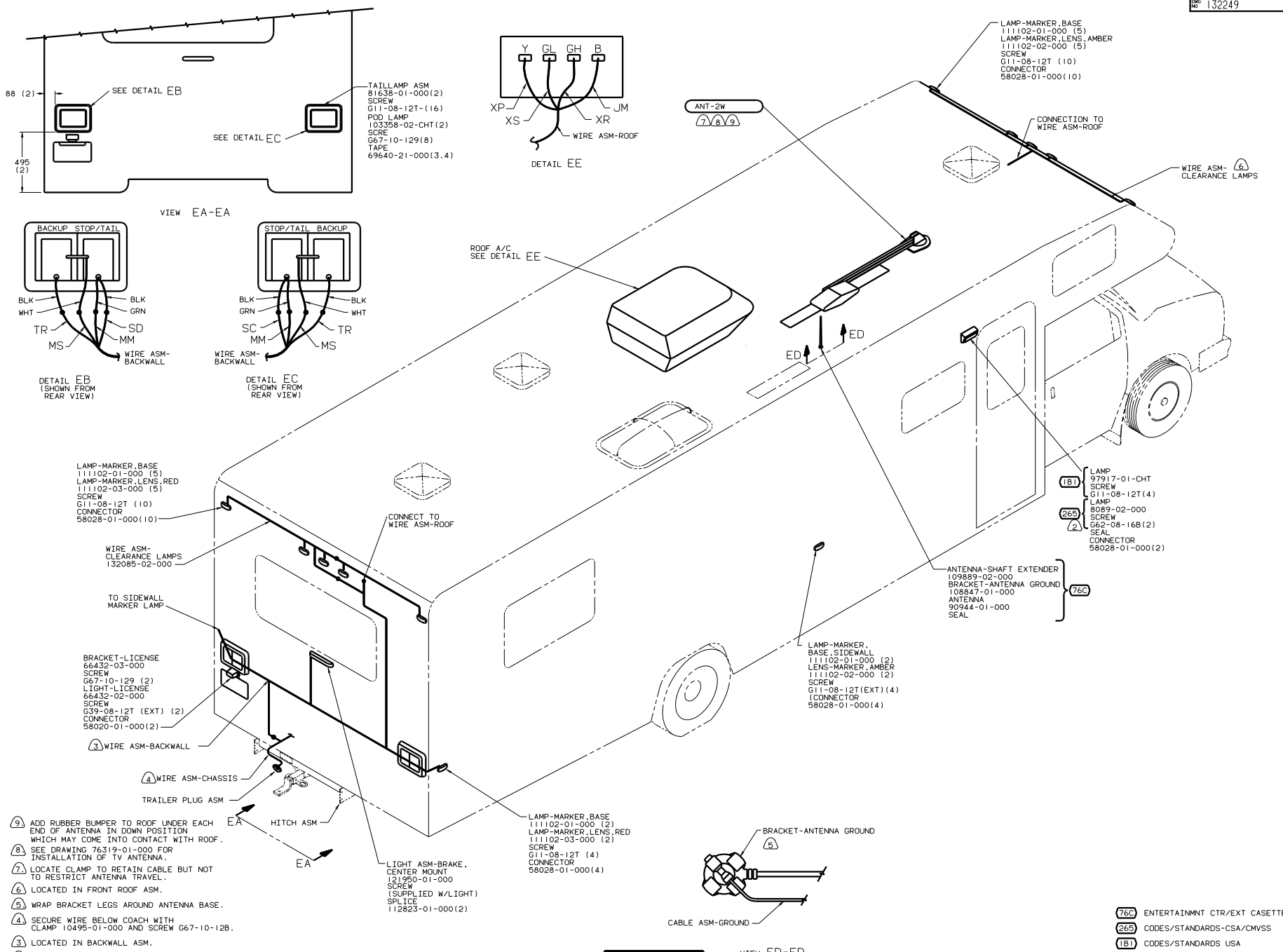
NOTES:



FOR ELECTRICAL TORQUE SPECIFICATIONS SEE DWG NO. 128783-01-000

- 480 SATELLITE DISH
- 76C ENTERTAINMENT CTR/EXT CASSETTE
- 49X BED-QUEEN - BACKWALL
- 45G BED-TWINS
- 421 TV-19" FRONT W/VIDEO SEL
- 26S CODES/STANDARDS-CSA/CMVSS
- 210 TV-19" W/VCR/VIDEO SELECTION
- 1B1 CODES/STANDARDS USA

1B1 26S 00 331C



- NOTES:
1. CONNECTOR-PLUG, TRAILER 113589-01-000 TO BE SUPPLIED LOOSE IN COACH WITH TRAILER TOW PACKAGE.

FOR ELECTRICAL TORQUE SPECIFICATIONS SEE DWG NO. 128783-01-000