



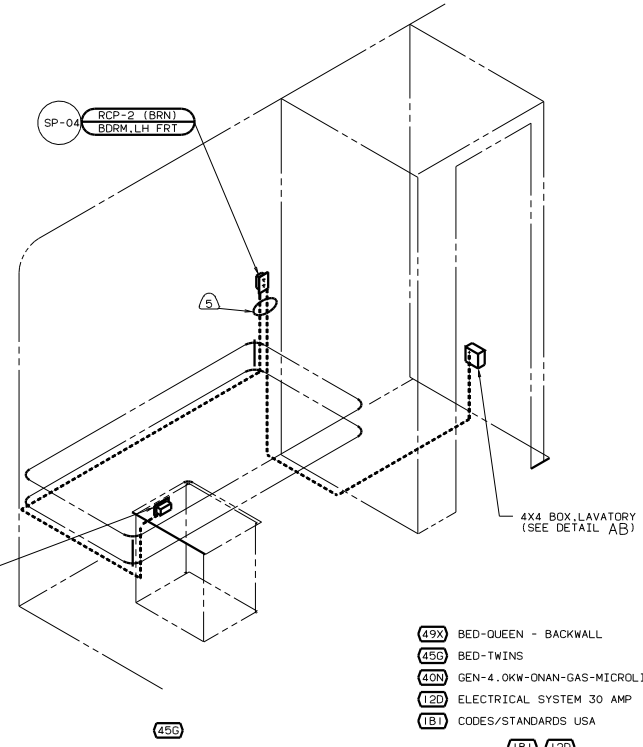
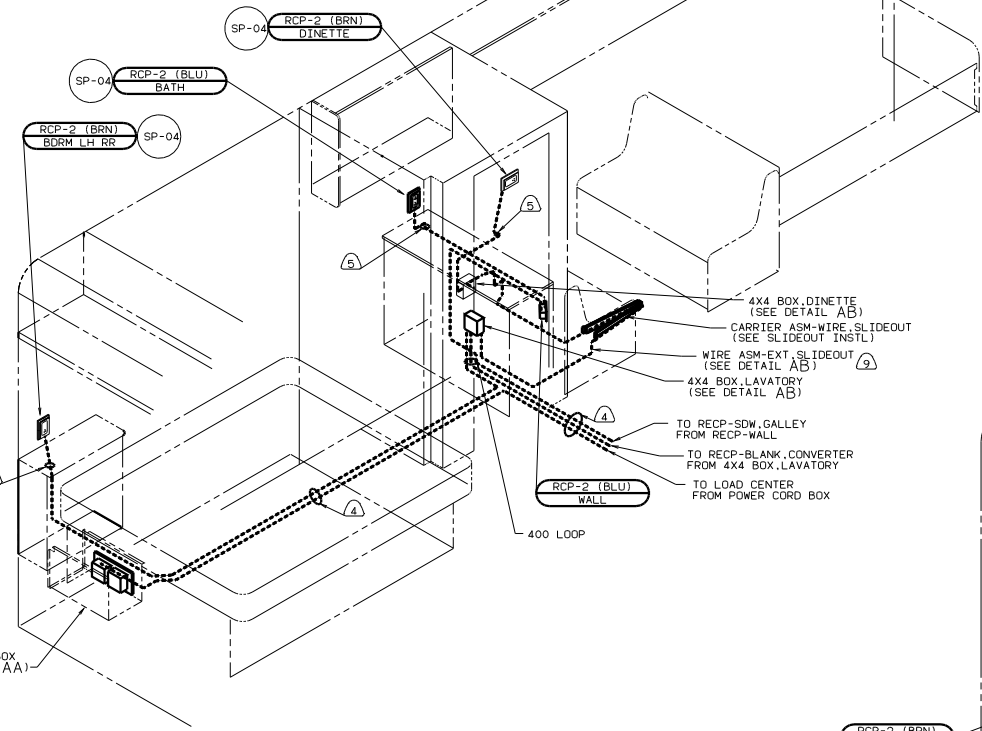
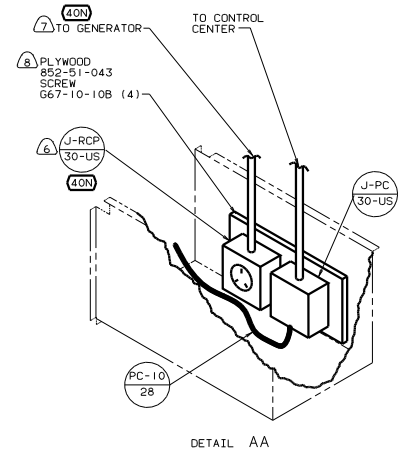
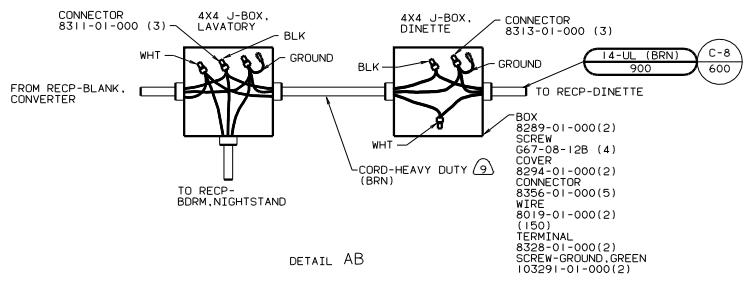
DANGER

Danger of electrical shock, burns or death. Always remove all power sources before attempting any repair, service or diagnostic work. Power can be present from shore power, generator, inverter or battery. All power sources must be disabled and secured before performing any service.



CAUTION

If you lack the skills, tools or equipment to perform diagnostic or repair work leave such work to an authorized Winnebago Industries dealer or other qualified shop.



- ④ CORD IS PART OF WIRE ASM-EXT SLIDEOUT CALLED OUT ON WIRING INSTL-BODY.12V.
 - ⑤ PAINT EXPOSED SURFACES BLACK WITH 106112-01-000.
 - ⑦ SEE GENERATOR INSTL. FOR ADDITIONAL INFORMATION.
 - ⑥ INSTALL RECEPTACLE WITH GROUND TOWARD OUTBOARD SIDE OF VEHICLE.
 - ⑤ ROUTE WIRE THRU SIDEWALL.
 - ④ ROUTE WIRE THRU FLOOR.
3. ALL GROUND WIRES TO BE COVERED WITH TUBING 8041-02-000.
2. ALL 110V WIRES ARE TO BE CLAMPED WITH CLAMP 10497-01-000 WITHIN 200 OF OUTLET BOXES. USE SCREW G67-10-12B.
1. ALL WIRES TO BE CLAMPED WITH CLAMP 10495-01-000 OR CLIP 80734-01-000 EVERY 600. USE SCREW G67-10-12B UNLESS OTHERWISE SPECIFIED.

- ④9X BED-QUEEN - BACKWALL
- ④5C BED-TWINS
- ④0N GEN-4.0KW-ONAN-GAS-MICROLITE
- ①2D ELECTRICAL SYSTEM 30 AMP
- ①B1 CODES/STANDARDS USA

FOR ELECTRICAL TORQUE SPECIFICATIONS SEE DWG NO. 128783-01-000

(X-X)

FOR ELECTRICAL CALLOUTS SEE DWG NO. 121339-01-000

①B1 ①2D

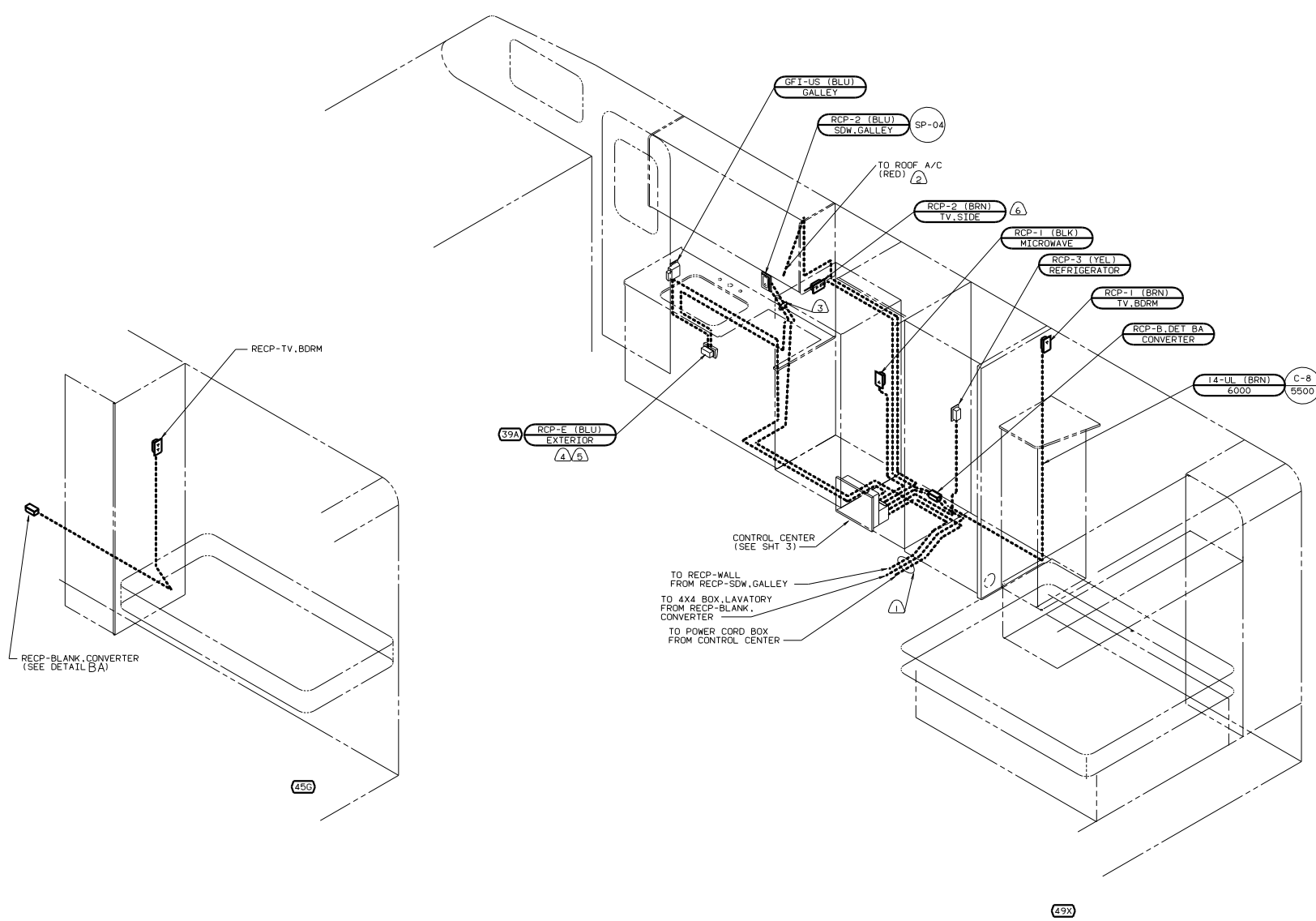
WINNEBAGO '00 331C

OF IN	DATE	UNSPECIFIED TOLERANCES ARE:	MATERIAL
CHP	DATE	WHOLE DIM (IN)	
DFE	DATE	ONE-PLACE (IN.XI)	
D/E	DATE	TWO-PLACE (IN.XX)	
DATE	DATE	THREE-PLACE (IN.XXX)	
DATE	DATE	THREE-PLACE (IN.XXX)	
DATE	DATE	THREE-PLACE (IN.XXX)	

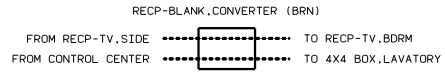
WIRING INSTL - BODY. 110V (130US)

SHEET 1 OF 7

132248



- NOTES:
- ⑥ SEE WIRING INSTL-TV/VCR.SIDE FOR ADDITIONAL INFORMATION.
 - ⑤ NOT USED WITH 76C
 - ④ SEE ENT CTR INSTL-EXT FOR ADDITIONAL INFORMATION.
 - ③ ROUTE WIRE THRU SIDEWALL.
 - ② ROUTE WIRE THRU ROOF.
 - ① ROUTE WIRE THRU FLOOR.



DETAIL BA

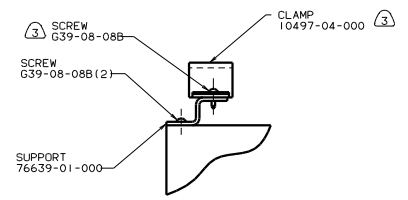
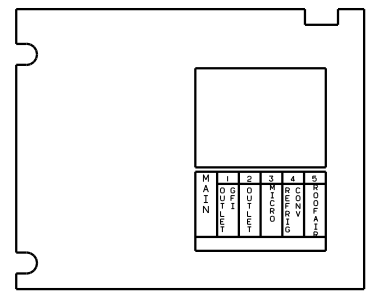
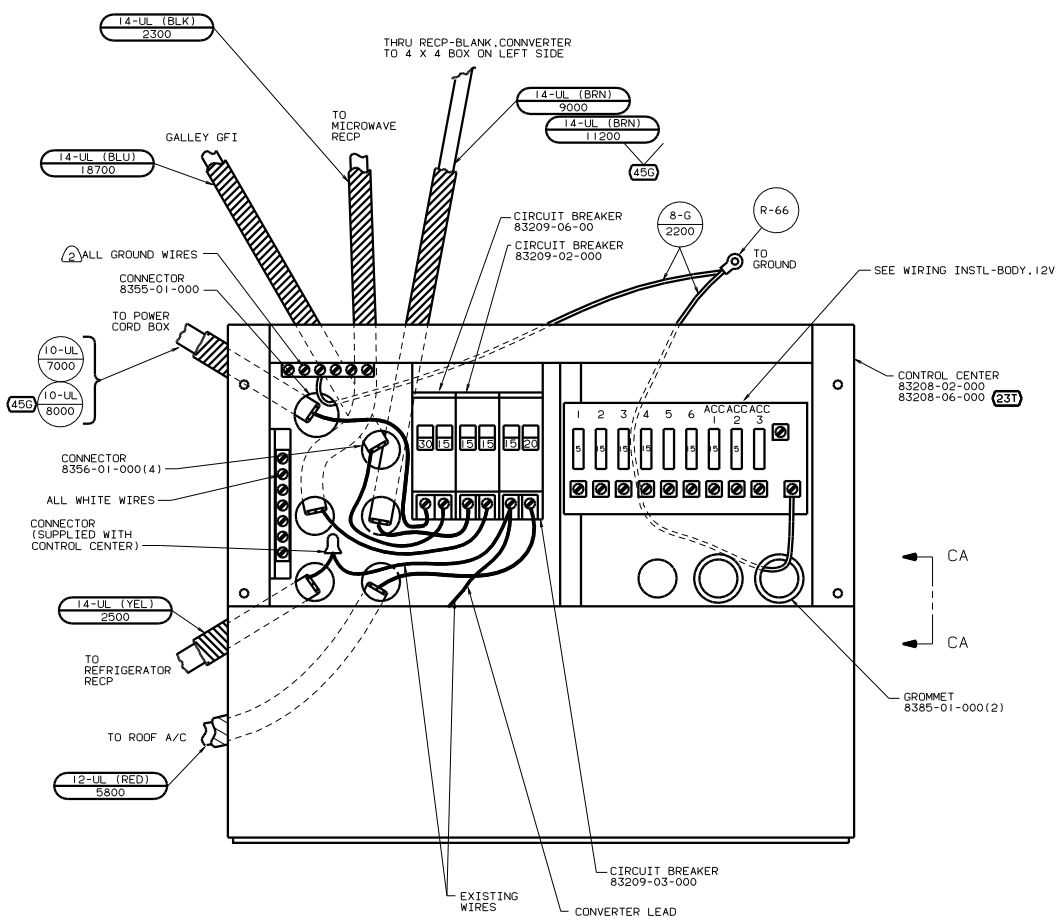
- 76C ENTERTAINMT CTR/EXT CASSETTE
- 49X BED-QUEEN - BACKWALL
- 45G BED-TWINS
- 39A EXT RECEPTACLE DPLX 120VAC
- 12D ELECTRICAL SYSTEM 30 AMP
- 1B1 CODES/STANDARDS USA

FOR ELECTRICAL TORQUE SPECIFICATIONS SEE DWG NO. 128783-01-000

FOR ELECTRICAL CALLOUTS SEE DWG NO. 121339-01-000

1B1 12D '00 331C

TITLE	WIRING INSTL-BODY. 110(B30US)
NO. OF SHEETS	7
SHEET NO.	2 OF 7
DWG NO.	132248



← CA
 ← CA

- NOTES:
- (3) FASTEN ALL WIRES TO SUPPORT. USE ONE SCREW PER CLAMP.
 - (2) ALL GROUND WIRES TO BE COVERED WITH TUBING 8041-02-000.
 - ALL CABLES SHALL BE COVERED WITH CONDUIT-CONVOLUTE, SLIT 41953-01-000 UNLESS OTHERWISE SPECIFIED. 600 LESS THAN CABLE LENGTH.

- (23T) HEATED HOLDING TANKS-PACKAGE
- (45G) BED-TWINS
- (12D) ELECTRICAL SYSTEM 30 AMP
- (1B1) CODES/STANDARDS USA

FOR ELECTRICAL TORQUE SPECIFICATIONS SEE DWG NO. 128783-01-000

(X-X)

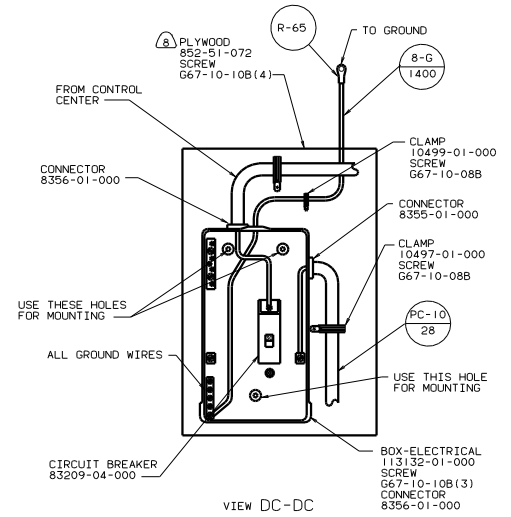
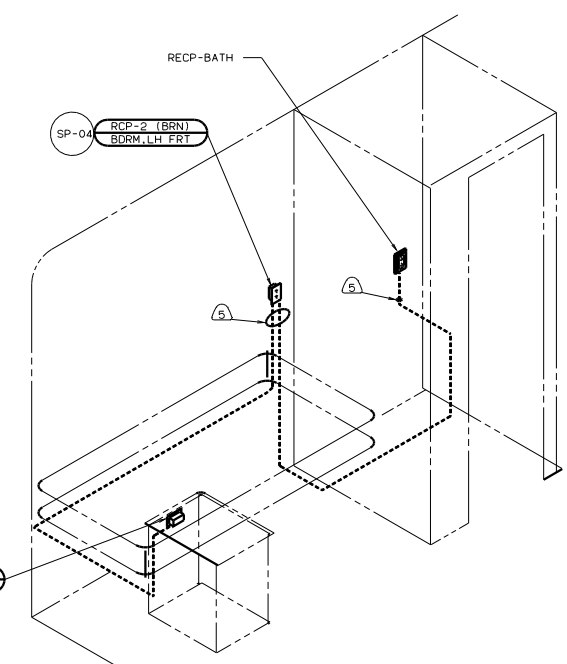
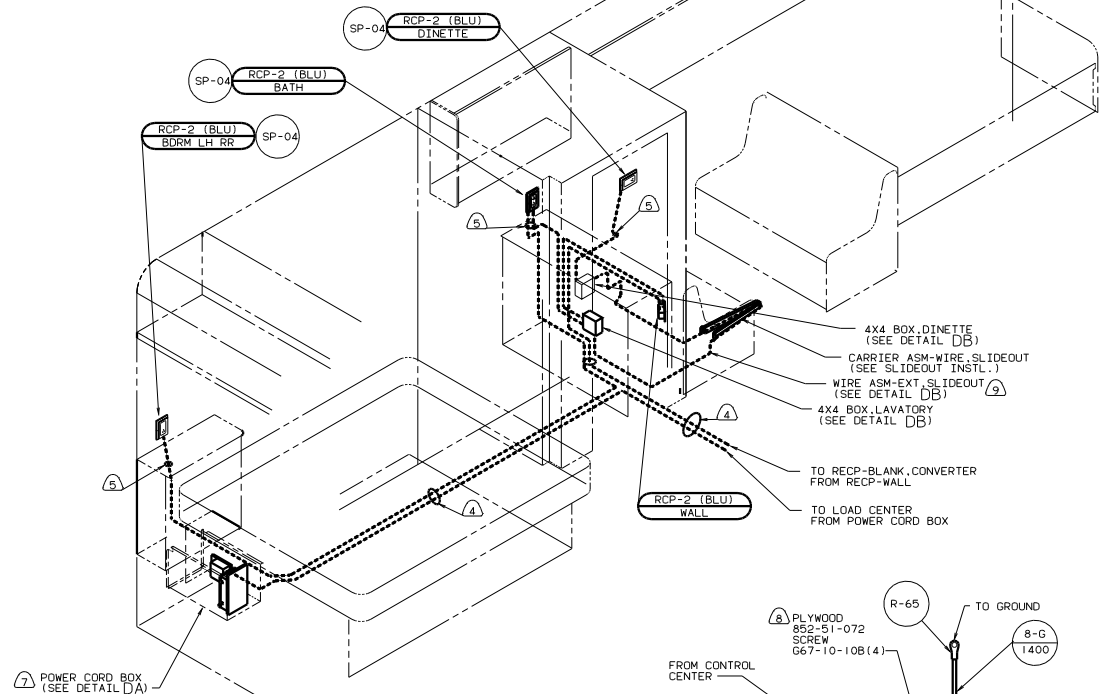
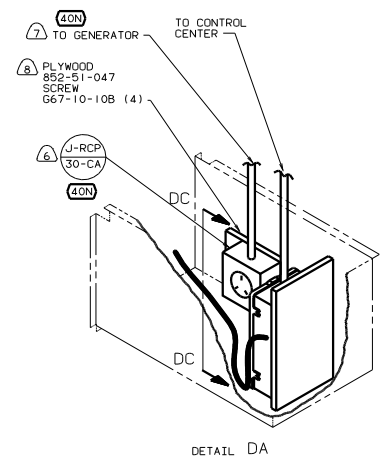
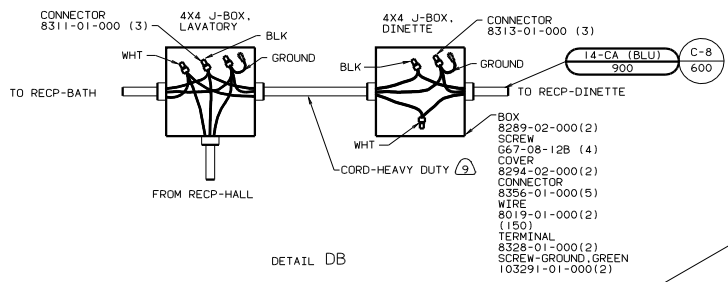
FOR ELECTRICAL CALLOUTS SEE DWG NO. 121339-01-000

(1B1) (12B) '00 331C

WIRING INSTL-BODY.110(LC30US)

SHEET 3 OF 7

132248



- NOTES:
1. ALL WIRE TO BE CLAMPED WITH CLAMP 10495-01-000 OR CLIP 80734-02-000 EVERY 600. USE SCREW 667-10-12B UNLESS OTHERWISE SPECIFIED.
 2. ALL WIRES ARE TO BE CLAMPED WITH CLAMP 10497-05-000 WITHIN 200 OF OUTLET BOXES. USE SCREW 667-10-12B UNLESS OTHERWISE SPECIFIED.
 3. ALL GROUND WIRES TO BE COVERED WITH TUBING 8041-02-000.
- (9) CORD IS PART OF WIRE ASM-EXT.SLIDEOUT CALLED OUT ON WIRING INSTL-BODY.12V.
 (8) PAINT EXPOSED SURFACES BLACK WITH 106112-01-000.
 (7) SEE GENERATOR INSTL FOR ADDITIONAL INFORMATION.
 (6) INSTALL RECP WITH GROUND TOWARD OUTBOARD SIDE OF VEHICLE.
 (5) ROUTE WIRE THRU SIDEWALL.
 (4) ROUTE WIRE THRU FLOOR.

FOR ELECTRICAL SPECIFICATIONS SEE DWG NO. 128783-01-000

FOR ELECTRICAL CALLOUTS SEE DWG NO. 121339-01-000

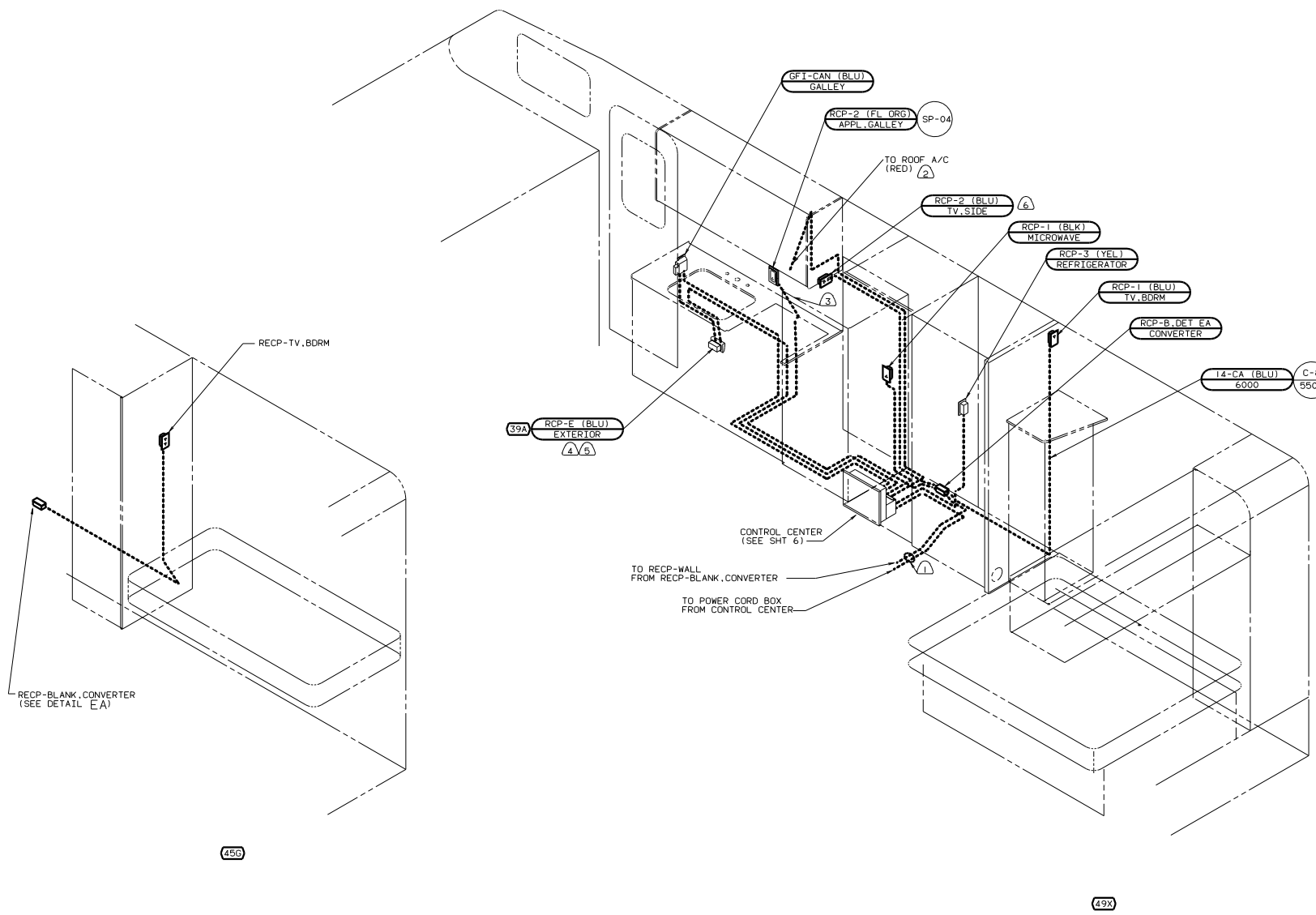
X-X

(49X) BED-QUEEN - BACKWALL
 (45G) BED-TWINS
 (40N) GEN-4,OKW-ONAN-GAS-MICROLITE
 (265) CODES/STANDARDS-CSA/CMVSS
 (120) (265) ELECTRICAL SYSTEM 30 AMP

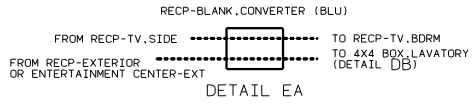
'00 331C

WIRING INSTL-BODY.110(130CA)

132248



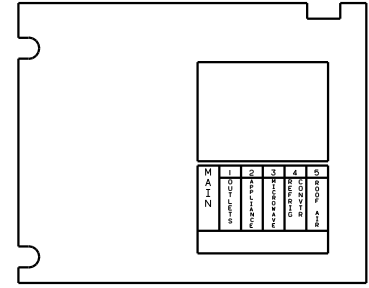
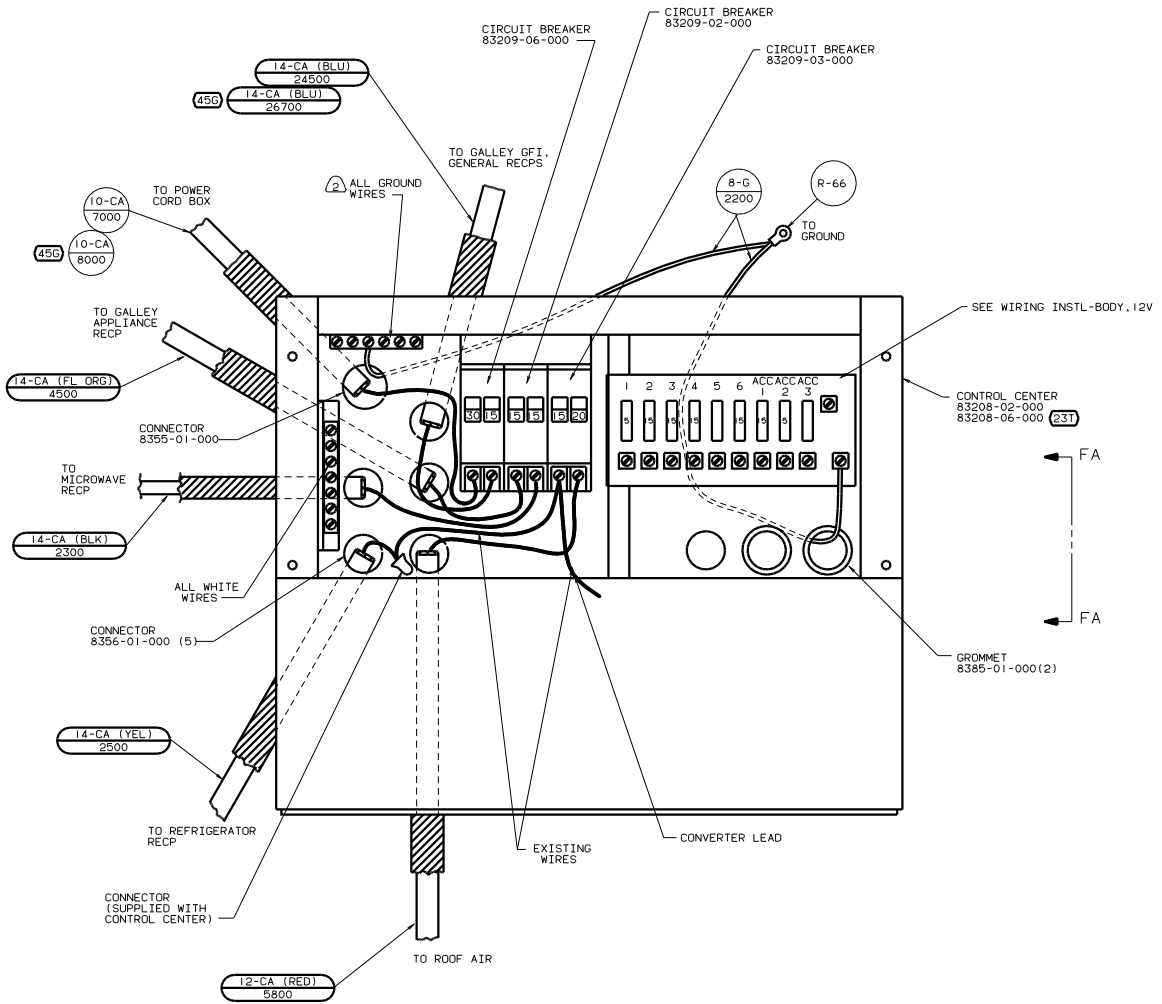
- ⑥ SEE WIRING INSTL-TV/VCR SIDE FOR ADDITIONAL INFORMATION.
- ⑤ NOT USED WITH 76C
- ④ SEE ENT CTR INSTL-EXT FOR ADDITIONAL INFORMATION.
- ③ ROUTE WIRE THRU SIDEWALL.
- ② ROUTE WIRE THRU ROOF.
- ① ROUTE WIRE THRU FLOOR.



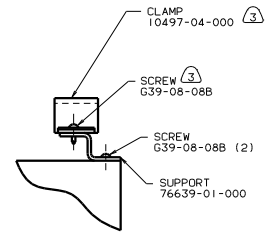
FOR ELECTRICAL TORQUE SPECIFICATIONS SEE DWG NO. 128783-01-000

FOR ELECTRICAL CALLOUTS SEE DWG NO. 1215339-01-000

- 49X BED-QUEEN - BACKWALL
- 456 BED-TWINS
- 39A EXT RECEPTACLE DPLX 120VAC
- 265 CODES/STANDARDS-CSA/CMVSS
- 120 ELECTRICAL SYSTEM 30 AMP
- 120 265 '00 331C



PANEL-COVER



VIEW FA-FA

- NOTES:
- ③ FASTEN ALL WIRES TO SUPPORT. USE ONE SCREW PER CLAMP.
 - ② ALL GROUND WIRES TO BE COVERED WITH TUBING 8041-02-000.
 - 1. ALL CABLES SHALL BE COVERED WITH CONDUIT-CONVOLUTE, SLIT 41953-01-000 UNLESS OTHERWISE SPECIFIED. 600 LESS THAN CABLE LENGTH.

- ②37 HEATED HOLDING TANKS-PACKAGE
- ④56 BED-TWINS
- ②65 CODES/STANDARDS-CSA/CMVSS
- ①2D ELECTRICAL SYSTEM 30 AMP

FOR ELECTRICAL TORQUE SPECIFICATIONS SEE DWG NO. 128783-01-000

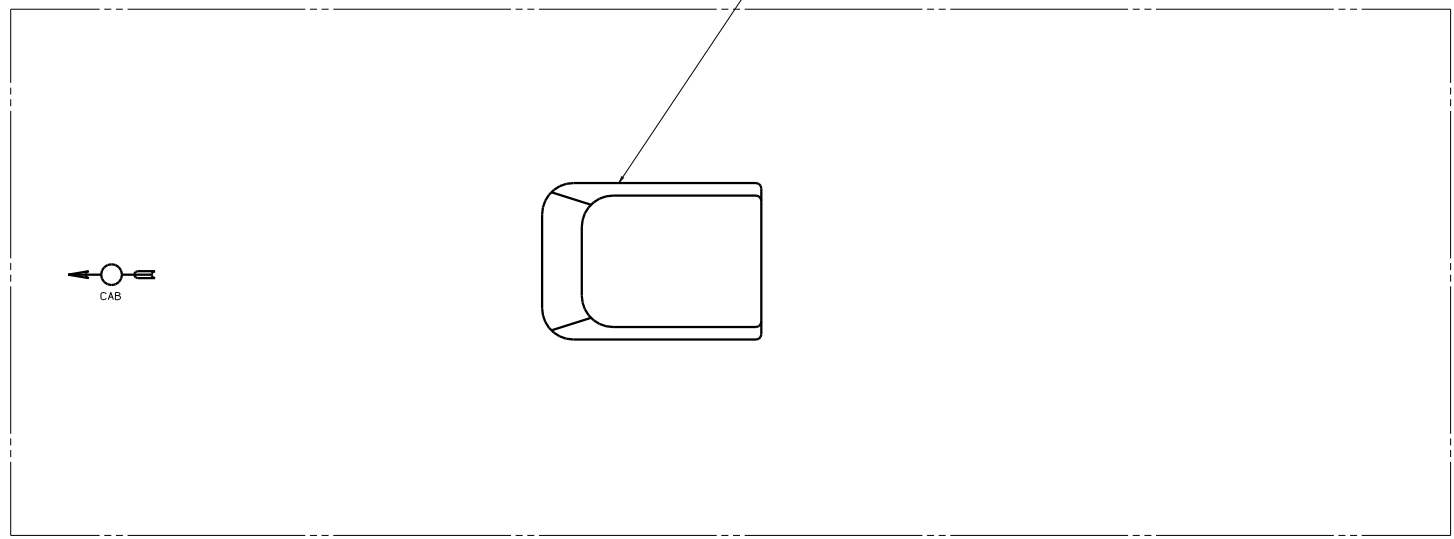
FOR ELECTRICAL CALLOUTS SEE DWG NO. 121359-01-000


①20 ②65 '00 331C

WIRING INSTL-BODY, 110(LC30CA)




SHEET 6 OF 7

132248



AIR CONDITIONER 
 131188-01-CHT
 CEILING ASM-A/C DUCTED
 131184-03-CHT


 CAB

-  A/C ROOF AIR (1) 14,800 BTU
-  CODES/STANDARDS-CSA/CMVSS
-  CODES/STANDARDS USA

   '00 331C

 SEE WIRING INSTL-BODY, 12V FOR ADDITIONAL INFORMATION.

TITLE		WIRING INSTL-BODY, 110V (EXT)	
NO. OF SHEETS	OF	SHEET NO.	132248
7	7	1	

NOTES: