



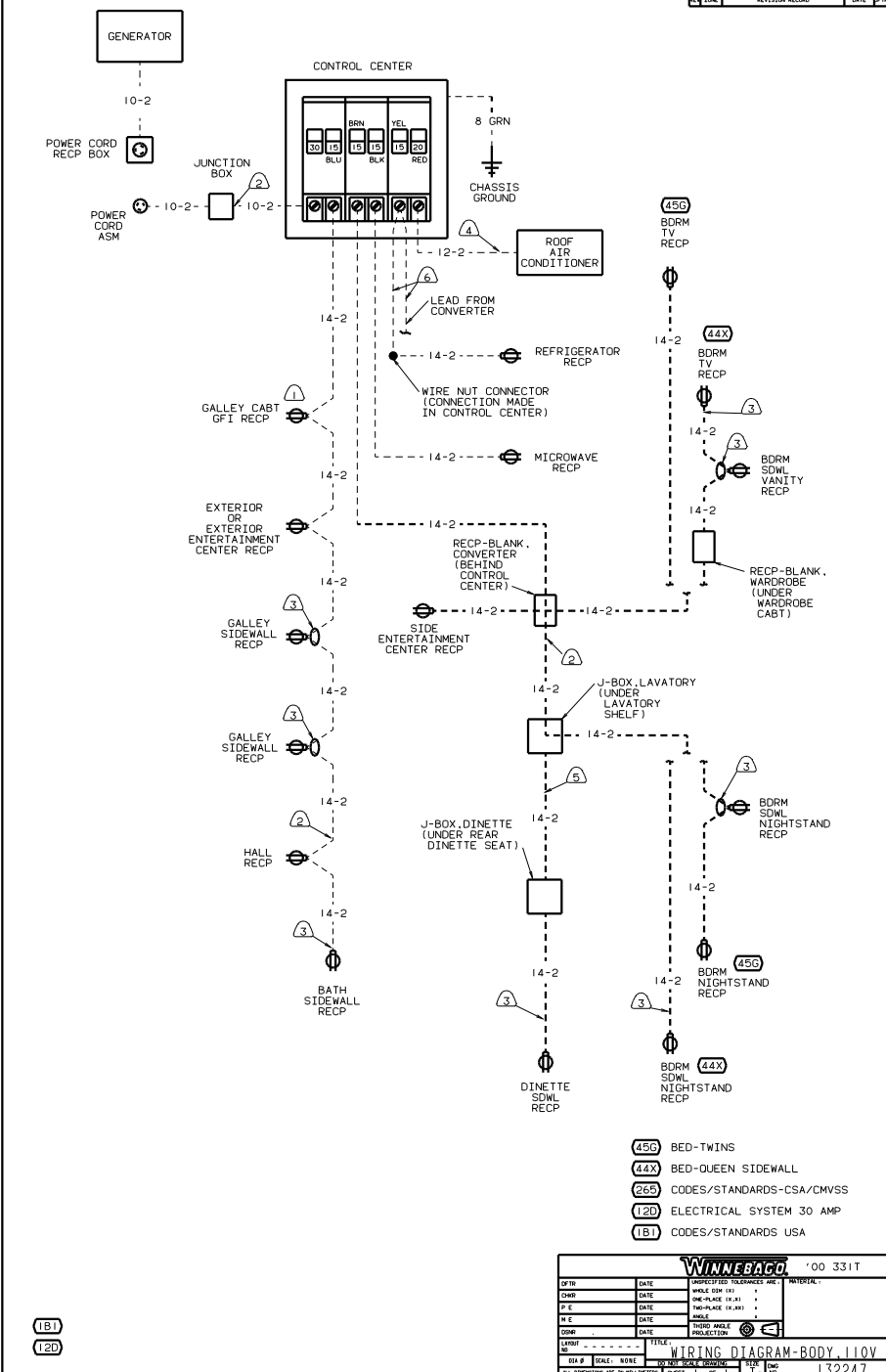
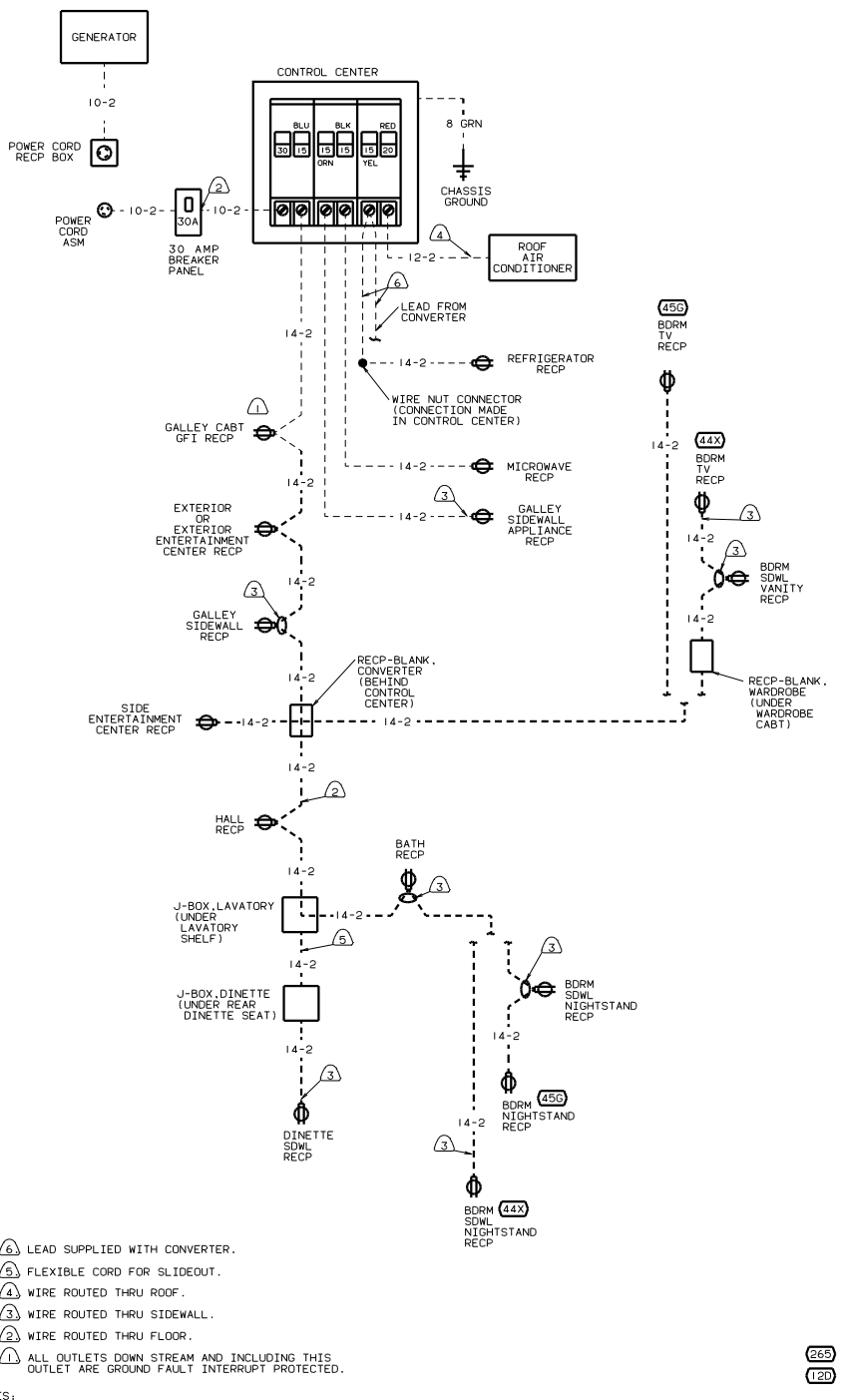
DANGER

Danger of electrical shock, burns or death. Always remove all power sources before attempting any repair, service or diagnostic work. Power can be present from shore power, generator, inverter or battery. All power sources must be disabled and secured before performing any service.



CAUTION

If you lack the skills, tools or equipment to perform diagnostic or repair work leave such work to an authorized Winnebago Industries dealer or other qualified shop.



- ⑥ LEAD SUPPLIED WITH CONVERTER.
- ⑤ FLEXIBLE CORD FOR SLIDEOUT.
- ④ WIRE ROUTED THRU ROOF.
- ③ WIRE ROUTED THRU SIDEWALL.
- ② WIRE ROUTED THRU FLOOR.
- ① ALL OUTLETS DOWN STREAM AND INCLUDING THIS OUTLET ARE GROUND FAULT INTERRUPT PROTECTED.

- ④5G BED-TWINS
- ④4X BED-QUEEN SIDEWALL
- ②6S CODES/STANDARDS-CSA/CMVSS
- ①2D ELECTRICAL SYSTEM 30 AMP
- ①B1 CODES/STANDARDS USA

OF IN		DATE	UNDESIGNED TOLERANCES ARE	MATERIAL
CHP	DATE	ONE-PLACE (R. 31)		
PL	DATE	TWO-PLACE (R. 30)		
PL	DATE	THREE-PLACE (R. 29)		
COMP	DATE	INDICATE W/PRODUCTION		

WINNEBAGO '00 331T

WIRING DIAGRAM-BODY 110V

SCALE: NOTE TO THE SCALE SHOWN THIS SHEET 1 OF 1

ALL DIMENSIONS ARE IN MILLIMETERS