



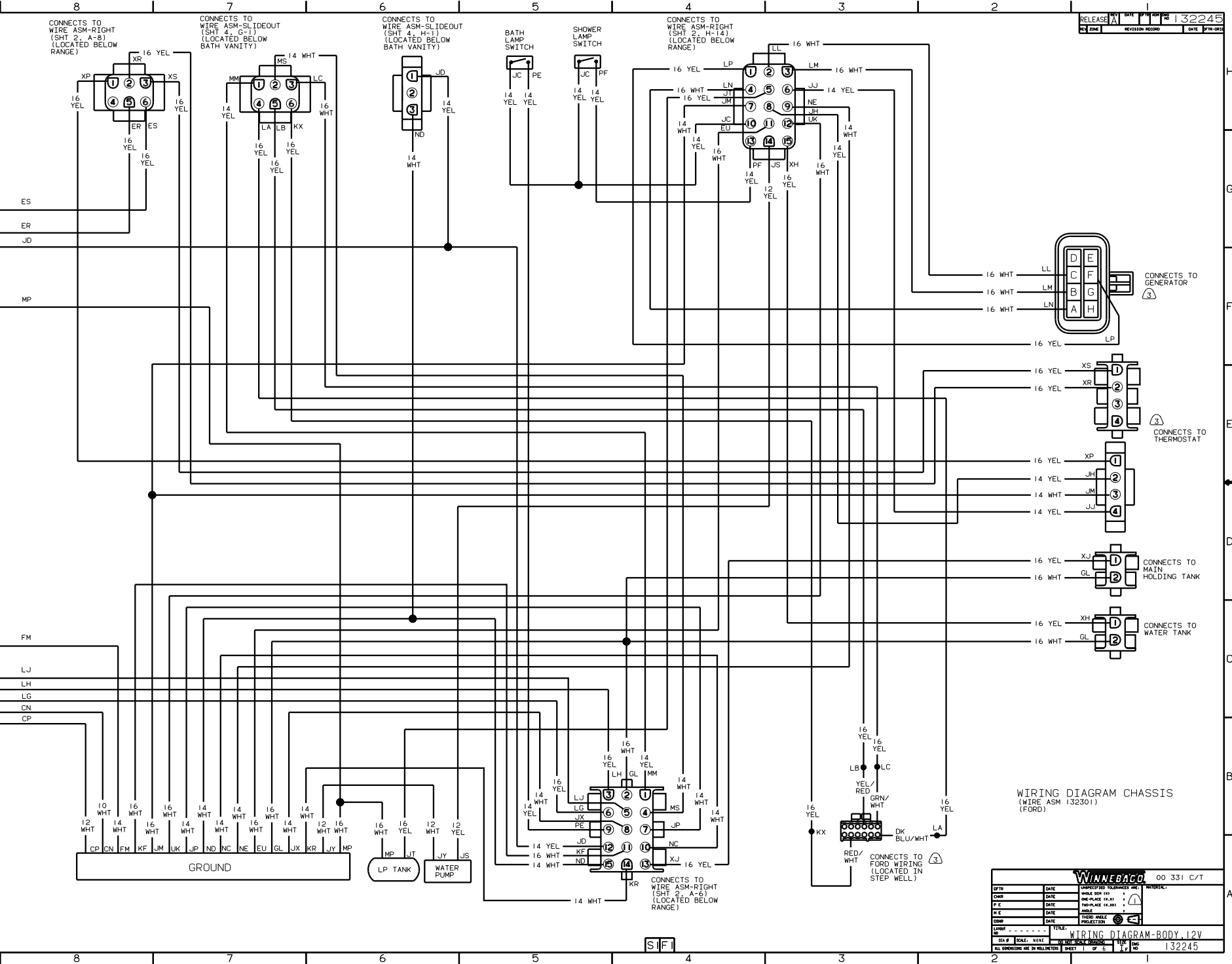
**DANGER**

**Danger of electrical shock, burns or death.** Always remove all power sources before attempting any repair, service or diagnostic work. Power can be present from shore power, generator, inverter or battery. All power sources must be disabled and secured before performing any service.



**CAUTION**

If you lack the skills, tools or equipment to perform diagnostic or repair work leave such work to an authorized Winnebago Industries dealer or other qualified shop.



CONNECTS TO WIRE ASM-RIGHT (SHT 2, A-8) (LOCATED BELOW RANGE)

CONNECTS TO WIRE ASM-SLIDEOUT (SHT 4, G-1) (LOCATED BELOW BATH VANITY)

CONNECTS TO WIRE ASM-SLIDEOUT (SHT 4, H-1) (LOCATED BELOW BATH VANITY)

CONNECTS TO WIRE ASM-RIGHT (SHT 2, H-14) (LOCATED BELOW RANGE)

CONNECTS TO WIRE ASM-RIGHT (SHT 2, A-6) (LOCATED BELOW RANGE)

CONNECTS TO GENERATOR

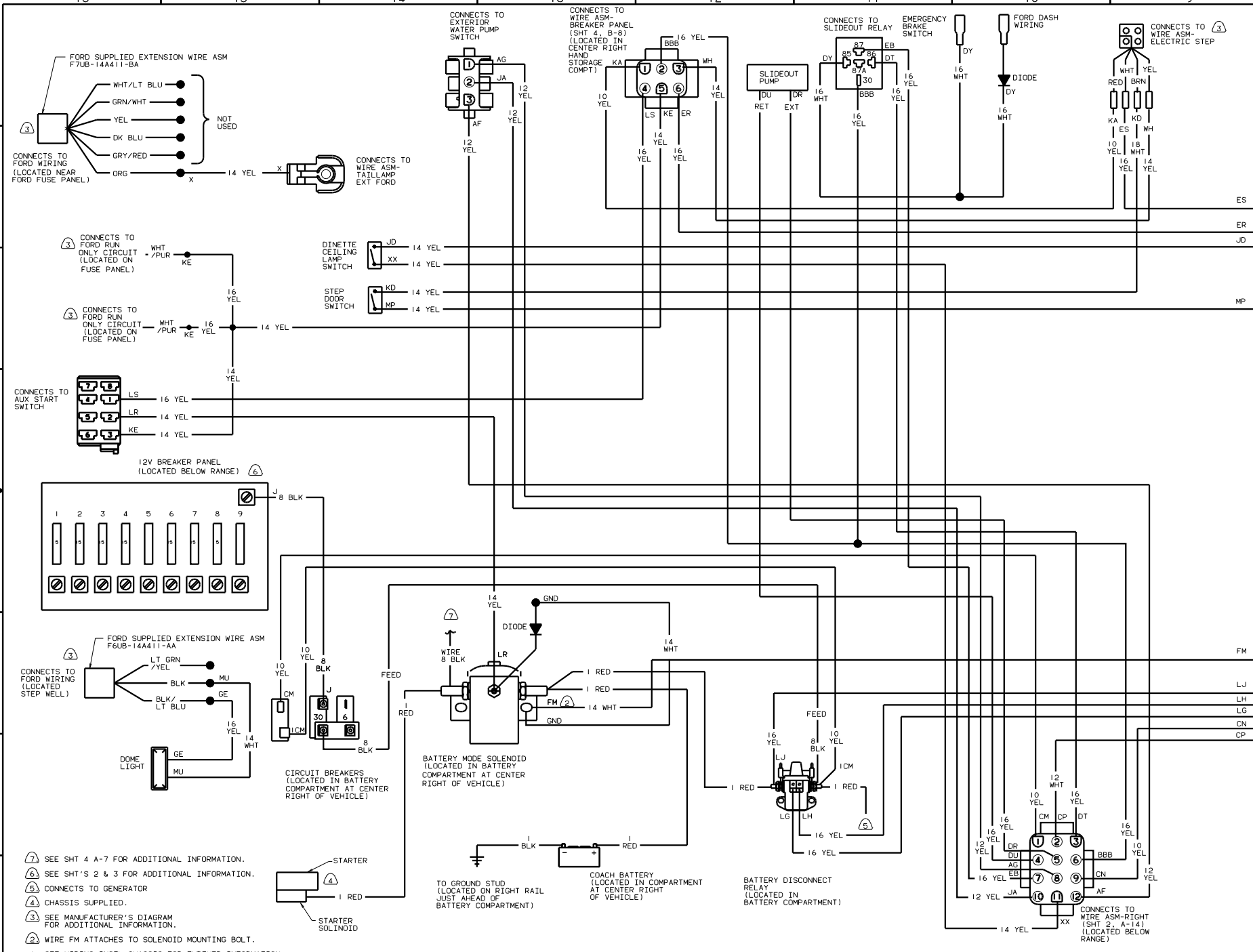
CONNECTS TO THERMOSTAT

CONNECTS TO MAIN HOLDING TANK

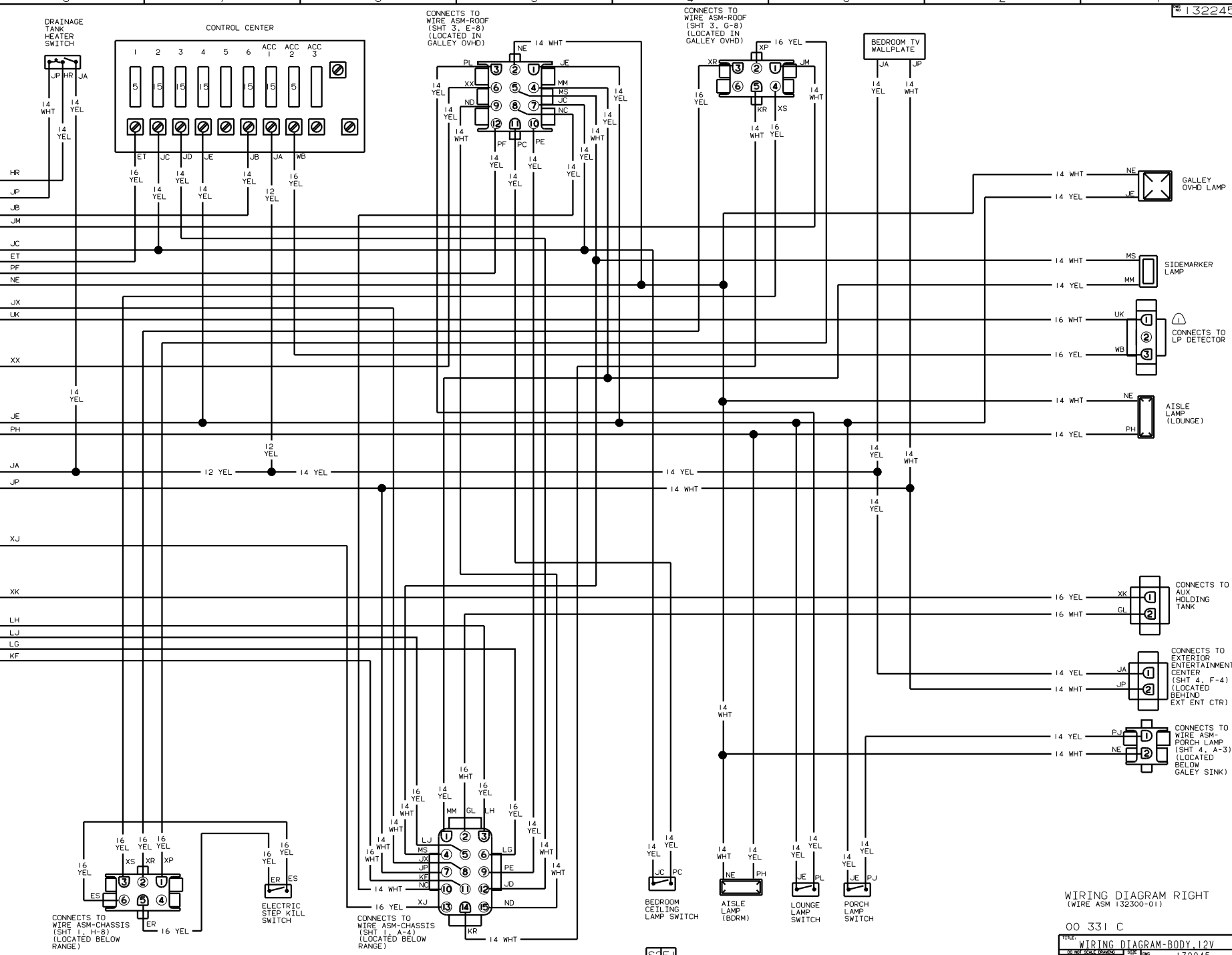
CONNECTS TO WATER TANK

WIRING DIAGRAM CHASSIS (WIRE ASM 132301) (FORD)

WINNEBAGO 00 331 C/T			
DATE	DATE	UNAPPROVED REVISIONS ARE	MATERIAL
DESIGN	DATE	WIRE FOR THIS	
P.E.	DATE	ONE-PLACE (X-14)	
DWG	DATE	TWO-PLACE (X-14)	
DWG	DATE	WIRE	
DWG	DATE	THEIR MAKE	
DWG	DATE	COLLECTION	
LAYOUT NO.		TITLE	
DWG #		WIRING DIAGRAM-BODY.12V	
SCALE: NONE		SHEET 1 OF 6	
ALL DIMENSIONS ARE IN MILLIMETERS		132245	



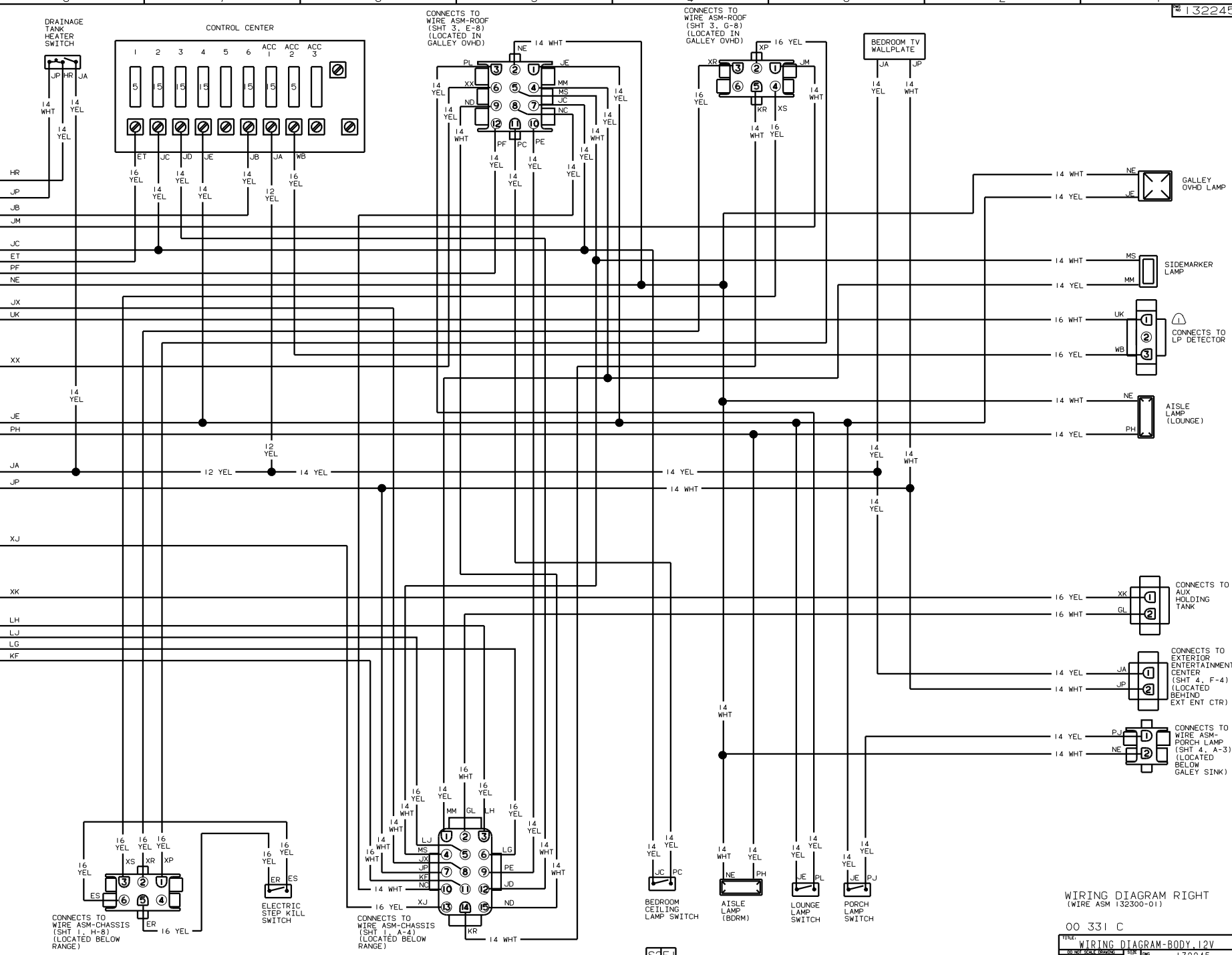
- ⑦ SEE SH 4 A-7 FOR ADDITIONAL INFORMATION.  
 ⑧ SEE SH 2 & 3 FOR ADDITIONAL INFORMATION.  
 ⑨ CONNECTS TO GENERATOR  
 ④ CHASSIS SUPPLIED.  
 ⑤ SEE MANUFACTURER'S DIAGRAM FOR ADDITIONAL INFORMATION.  
 ② WIRE FM ATTACHES TO SOLENOID MOUNTING BOLT.  
 1. SEE WIRING INSTL-CHASSIS FOR FURTHER INFORMATION.



WIRING DIAGRAM RIGHT (WIRE ASM 132300-01)

00 331 C

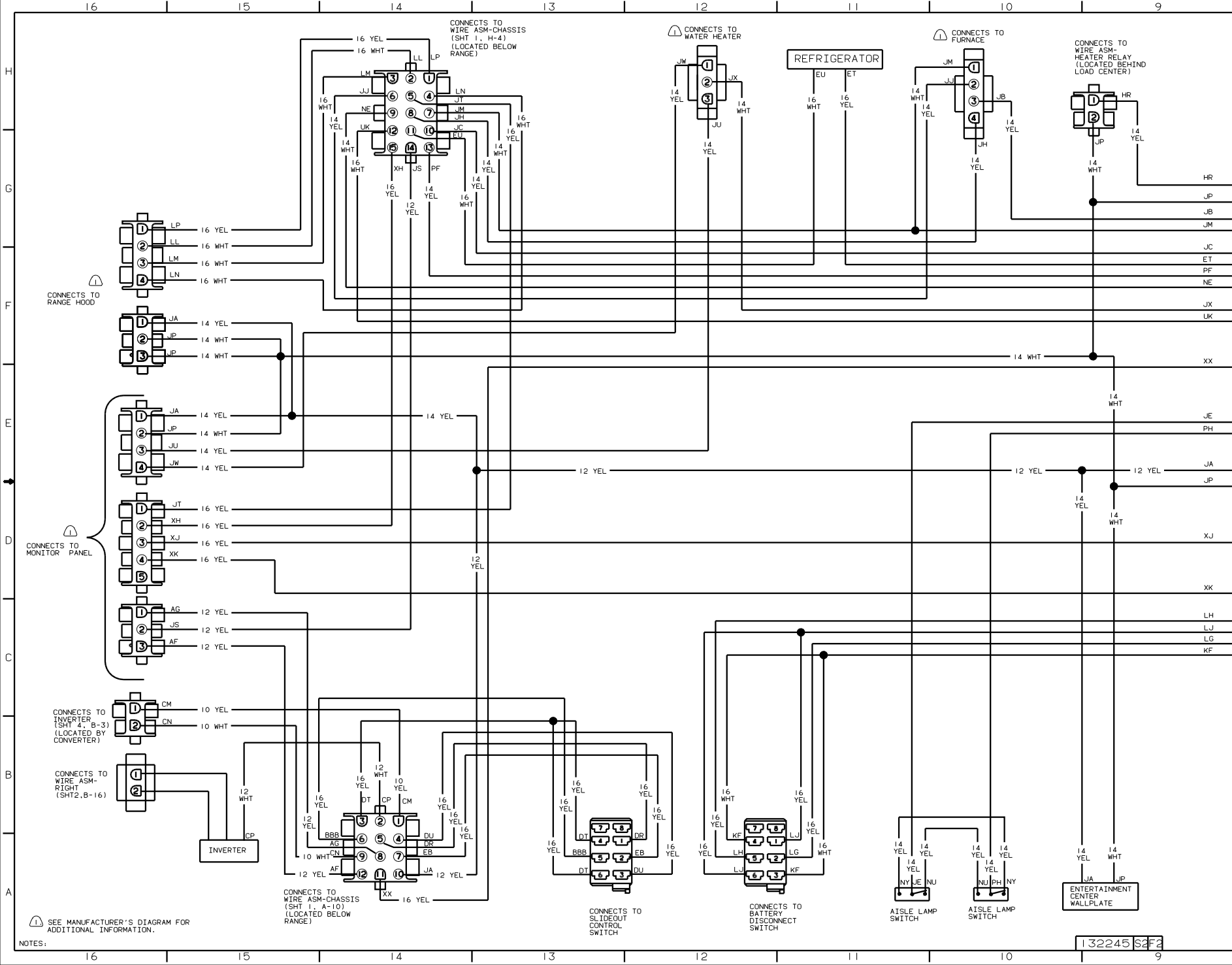




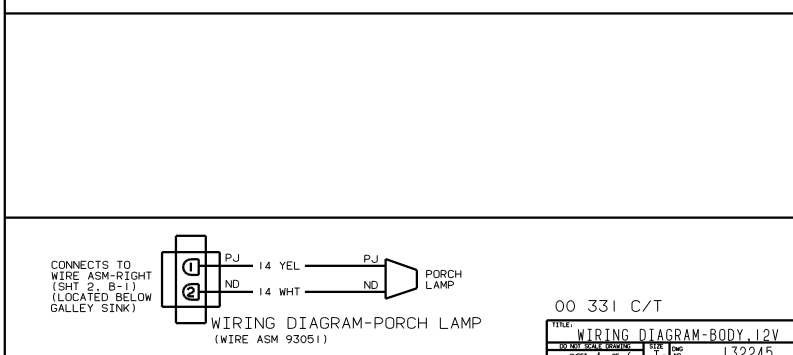
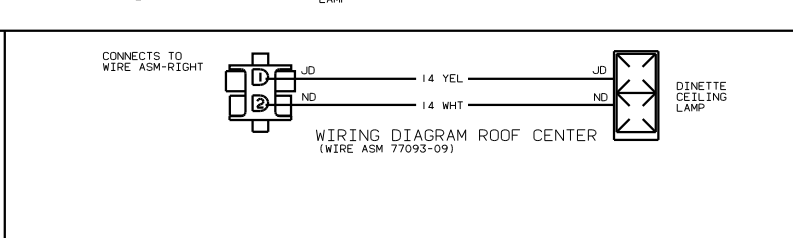
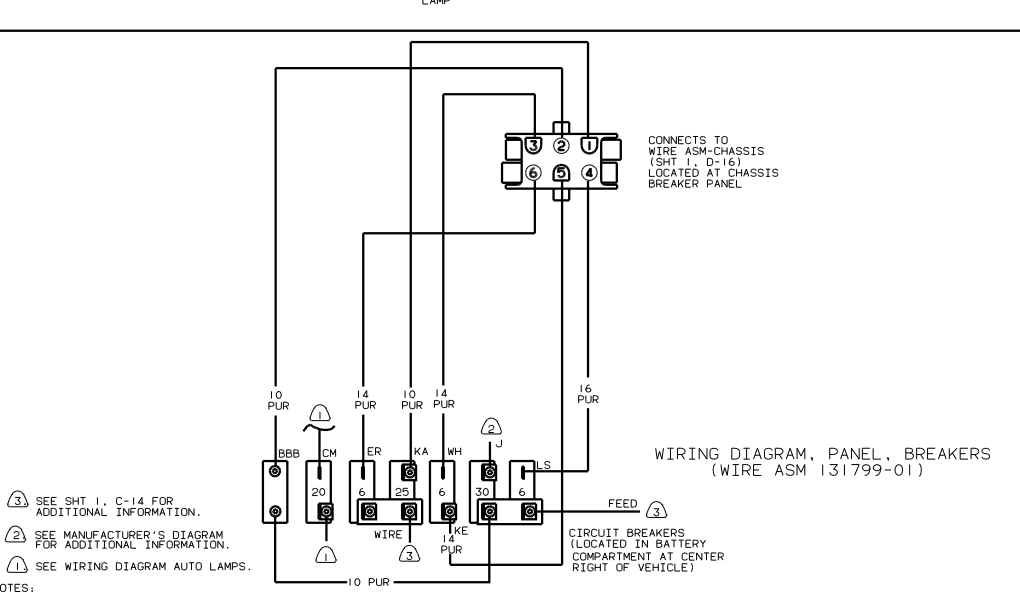
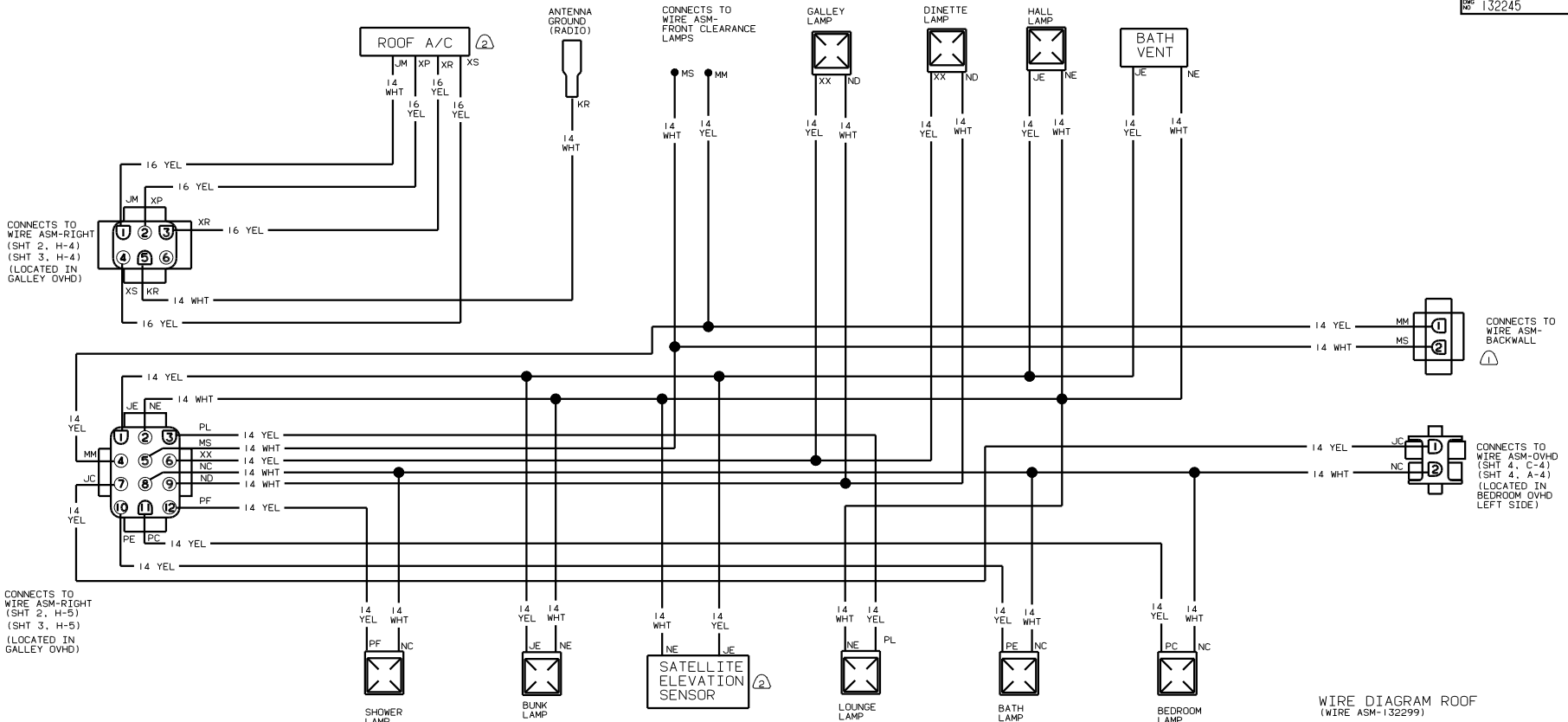
WIRING DIAGRAM RIGHT (WIRE ASM 132300-01)

00 331 C

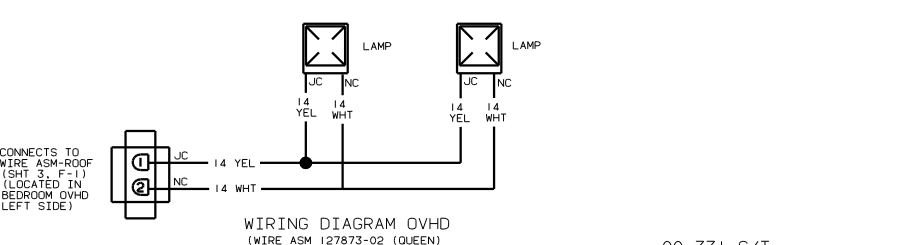
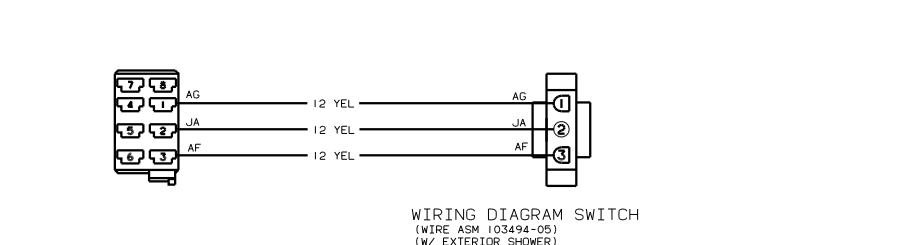
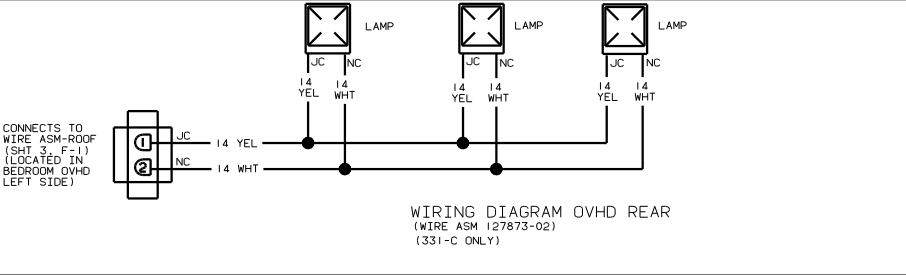
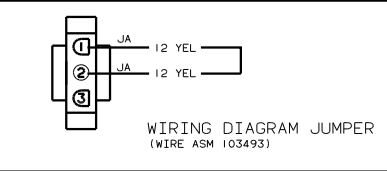
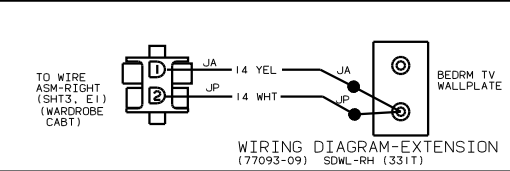
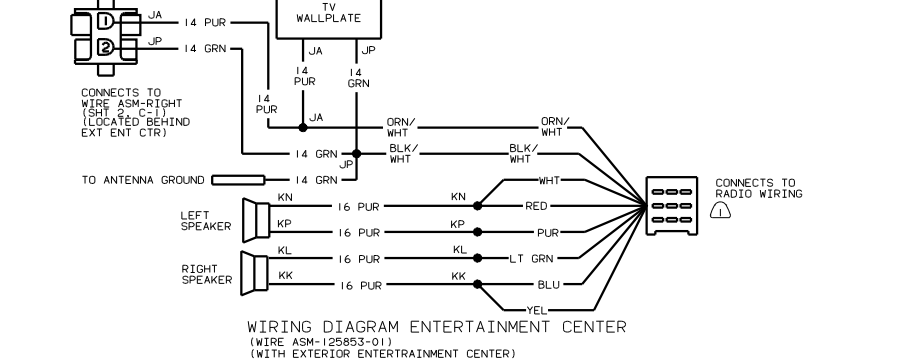
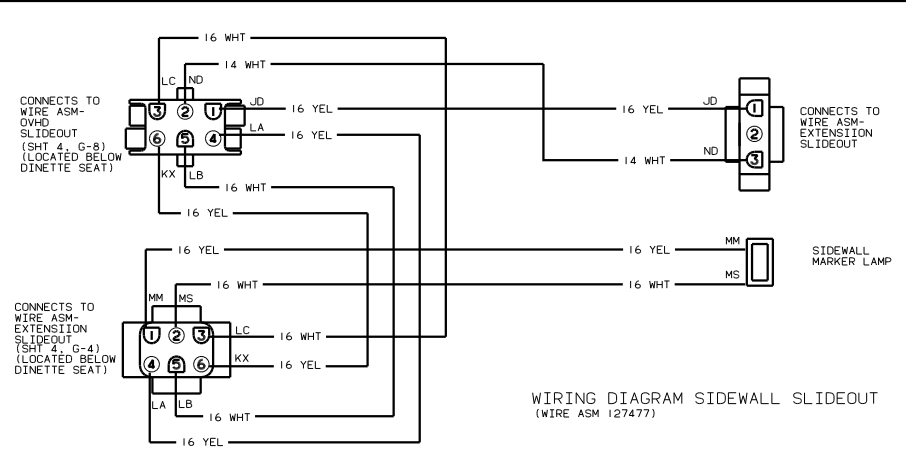
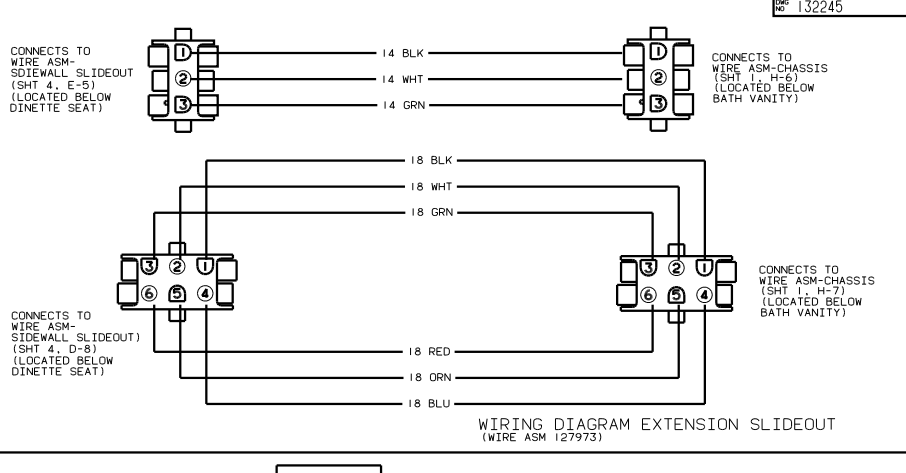
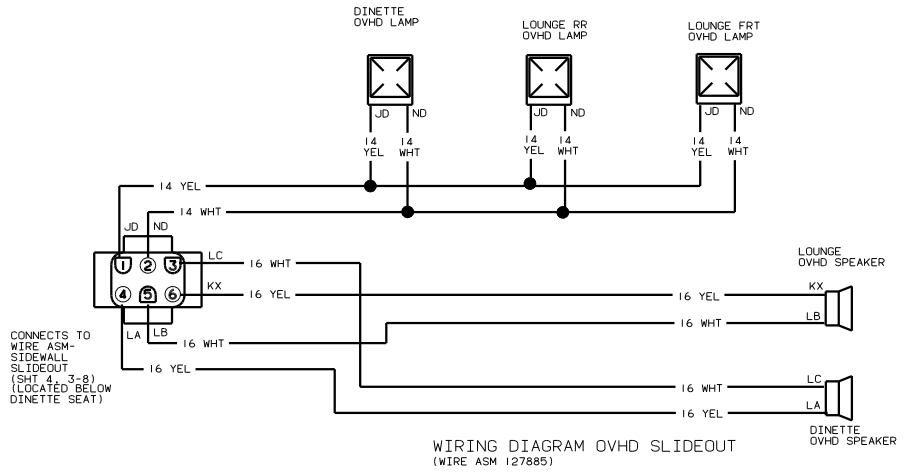




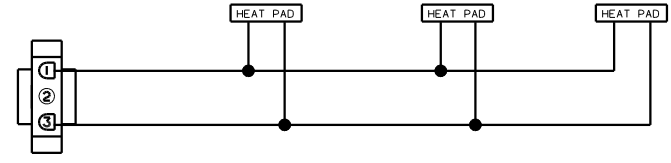
132245 S2F2







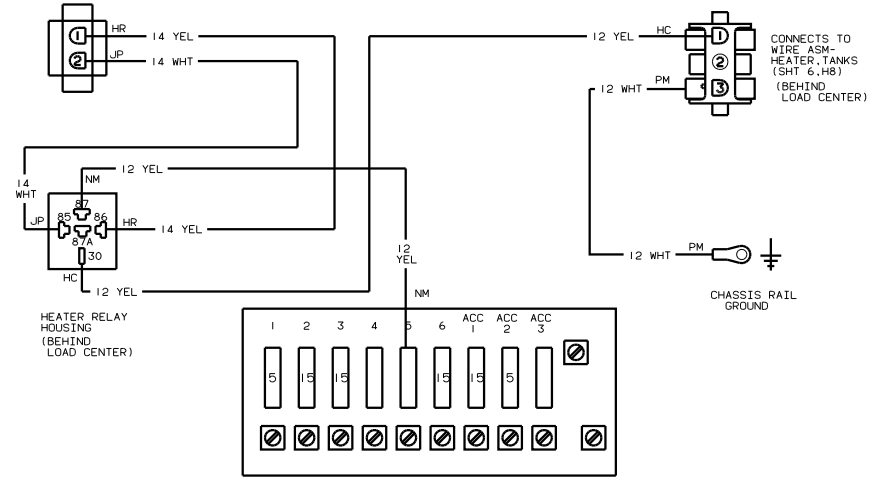
NOTES:  
SEE MANUFACTURER'S DIAGRAM FOR ADDITIONAL INFORMATION.



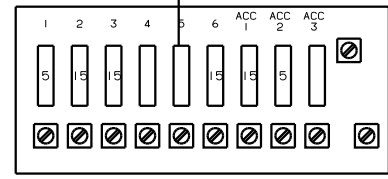
CONNECTS TO WIRE ASM- HEATER, RELAY (SHT 6, H1)

WIRING DIAGRAM HEATER, TANKS  
(WIRE ASM 134551-06)

CONNECTS TO WIRE ASM- RIGHT (SHT 2, H9) (BEHIND LOAD CENTER)



HEATER RELAY HOUSING (BEHIND LOAD CENTER)



LOAD CENTER

WIRING DIAGRAM HEATER, RELAY  
(WIRE ASM 134550)

CONNECTS TO WIRE ASM- HEATER, TANKS (SHT 6, H8) (BEHIND LOAD CENTER)

SEE MANUFACTURER'S DIAGRAM FOR ADDITIONAL INFORMATION.