



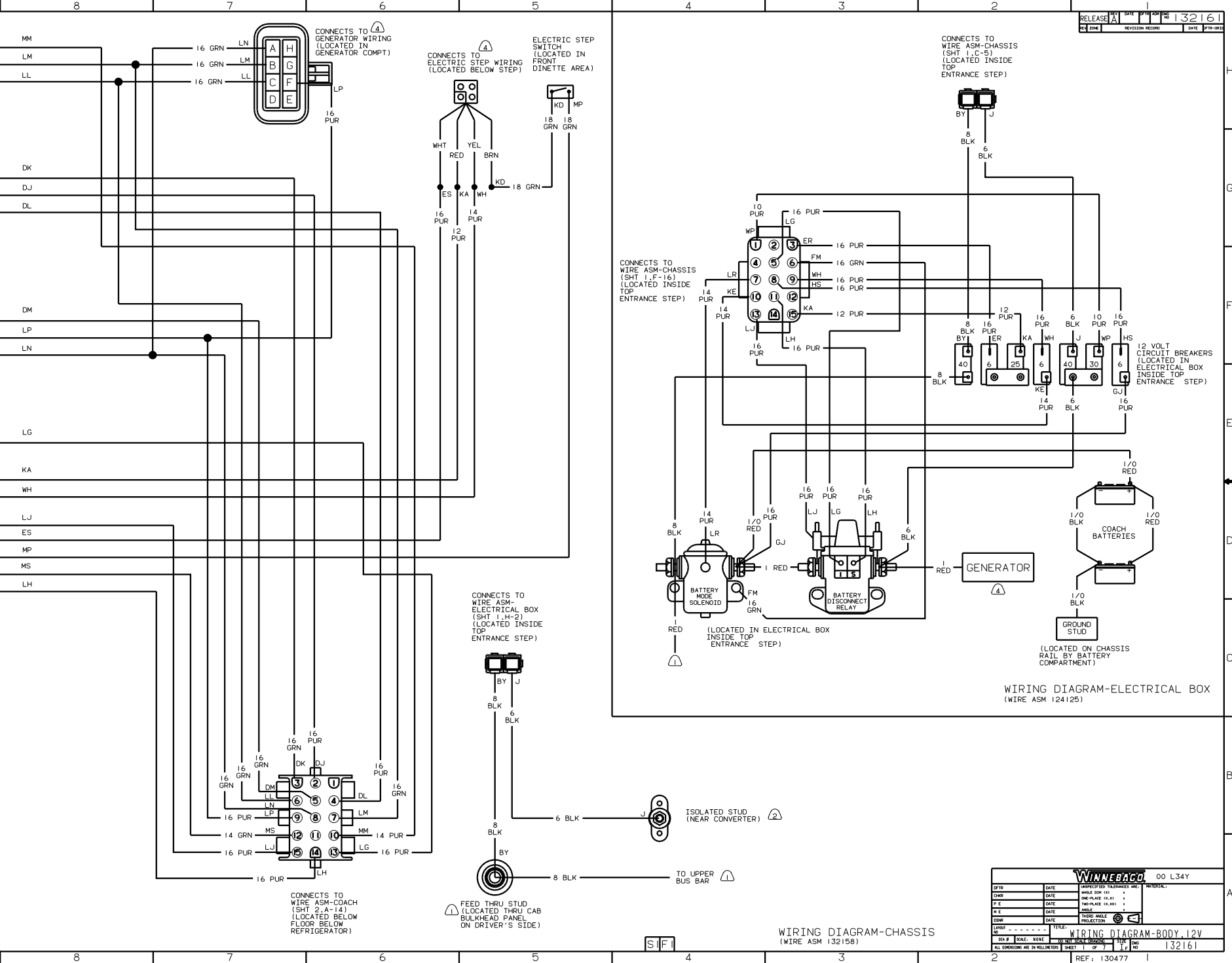
DANGER

Danger of electrical shock, burns or death. Always remove all power sources before attempting any repair, service or diagnostic work. Power can be present from shore power, generator, inverter or battery. All power sources must be disabled and secured before performing any service.



CAUTION

If you lack the skills, tools or equipment to perform diagnostic or repair work leave such work to an authorized Winnebago Industries dealer or other qualified shop.

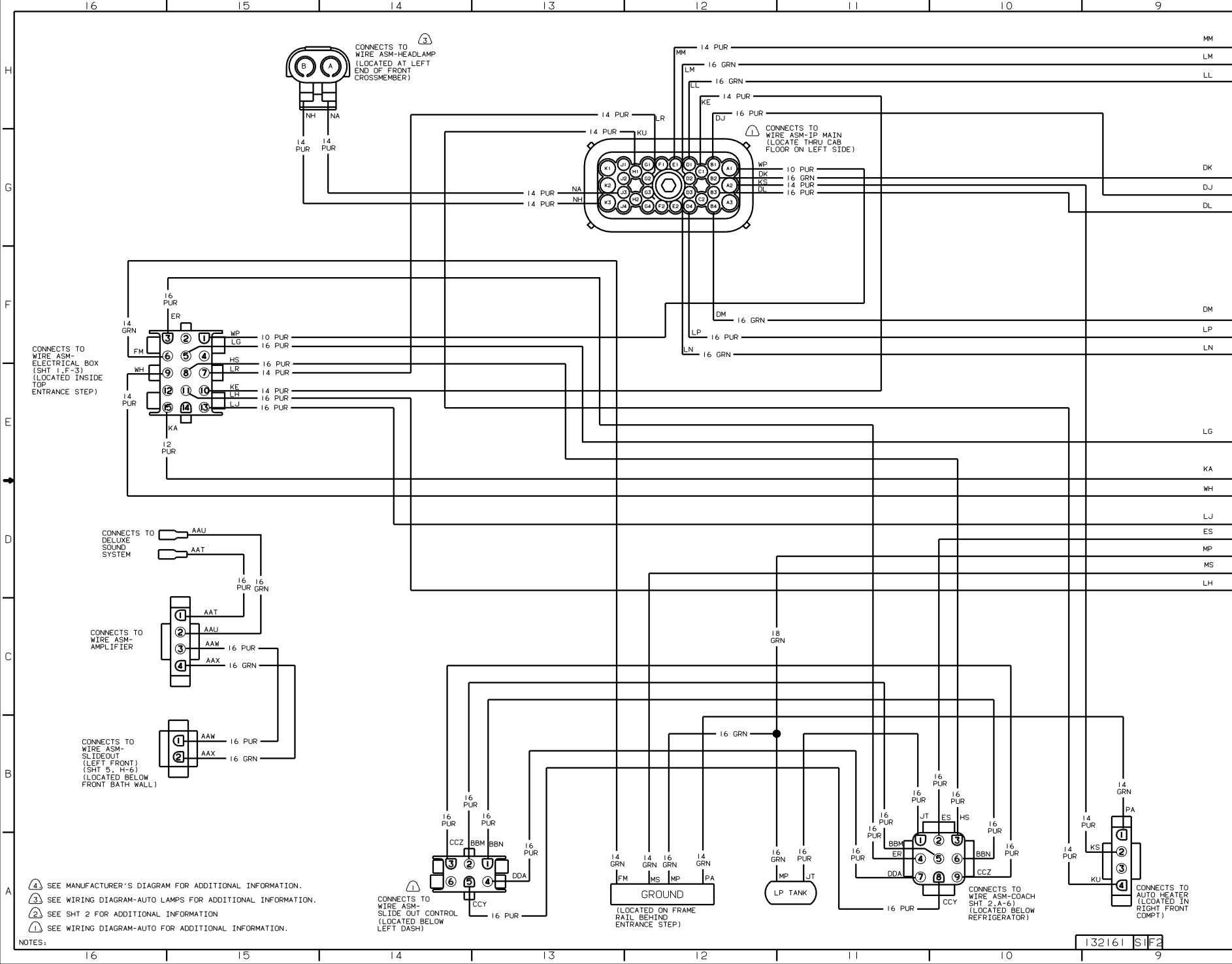


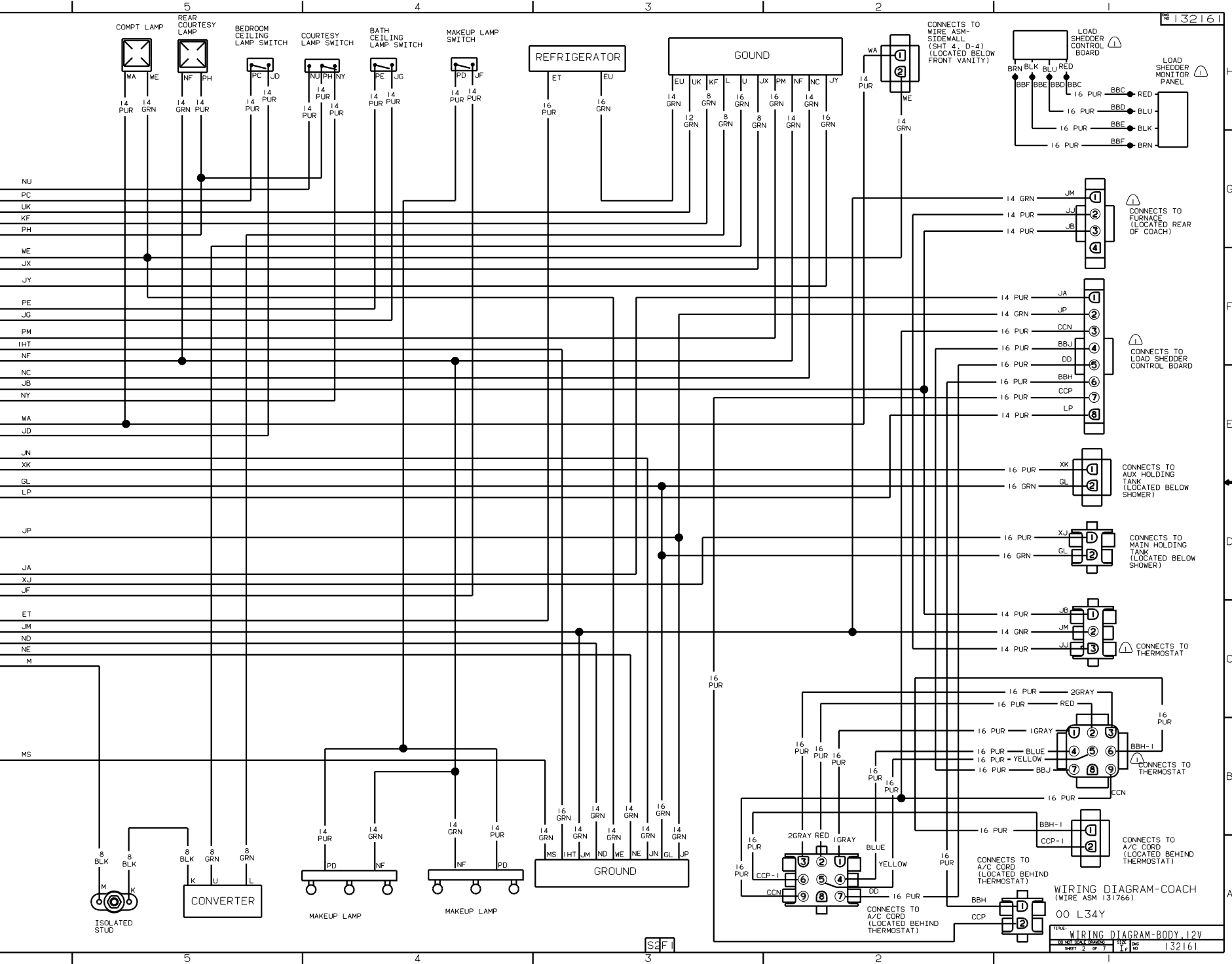
DATE		13216	
REV	DESCRIPTION	DATE	BY
1	ISSUED FOR TOLERANCES AND MATERIAL		
2	ISSUED FOR 14.1		
3	ISSUED FOR 14.1		
4	ISSUED FOR 14.1		
5	ISSUED FOR 14.1		
6	ISSUED FOR 14.1		
7	ISSUED FOR 14.1		
8	ISSUED FOR 14.1		
9	ISSUED FOR 14.1		
10	ISSUED FOR 14.1		
11	ISSUED FOR 14.1		
12	ISSUED FOR 14.1		
13	ISSUED FOR 14.1		
14	ISSUED FOR 14.1		
15	ISSUED FOR 14.1		
16	ISSUED FOR 14.1		
17	ISSUED FOR 14.1		
18	ISSUED FOR 14.1		
19	ISSUED FOR 14.1		
20	ISSUED FOR 14.1		

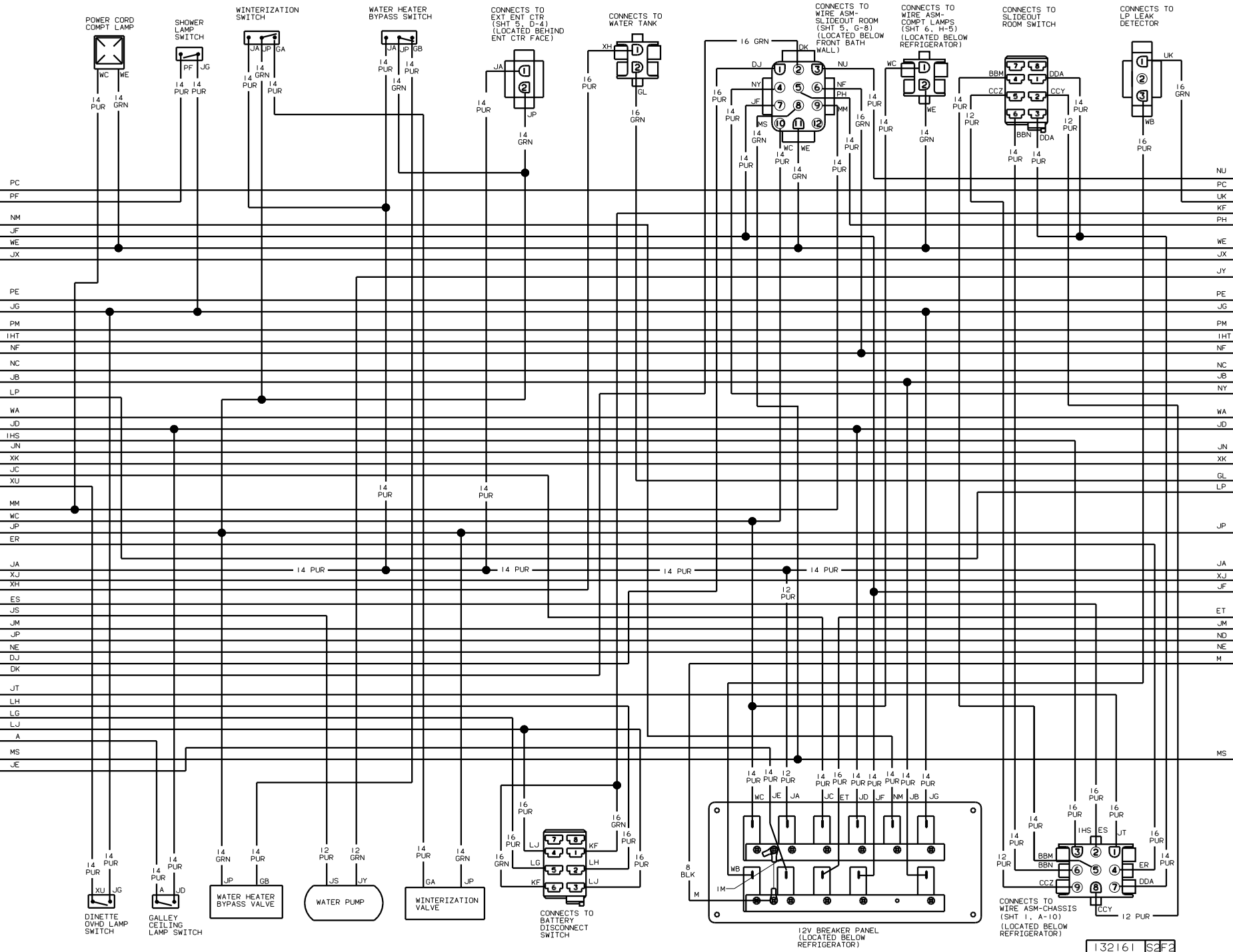
WINNEBAGO OO L34Y

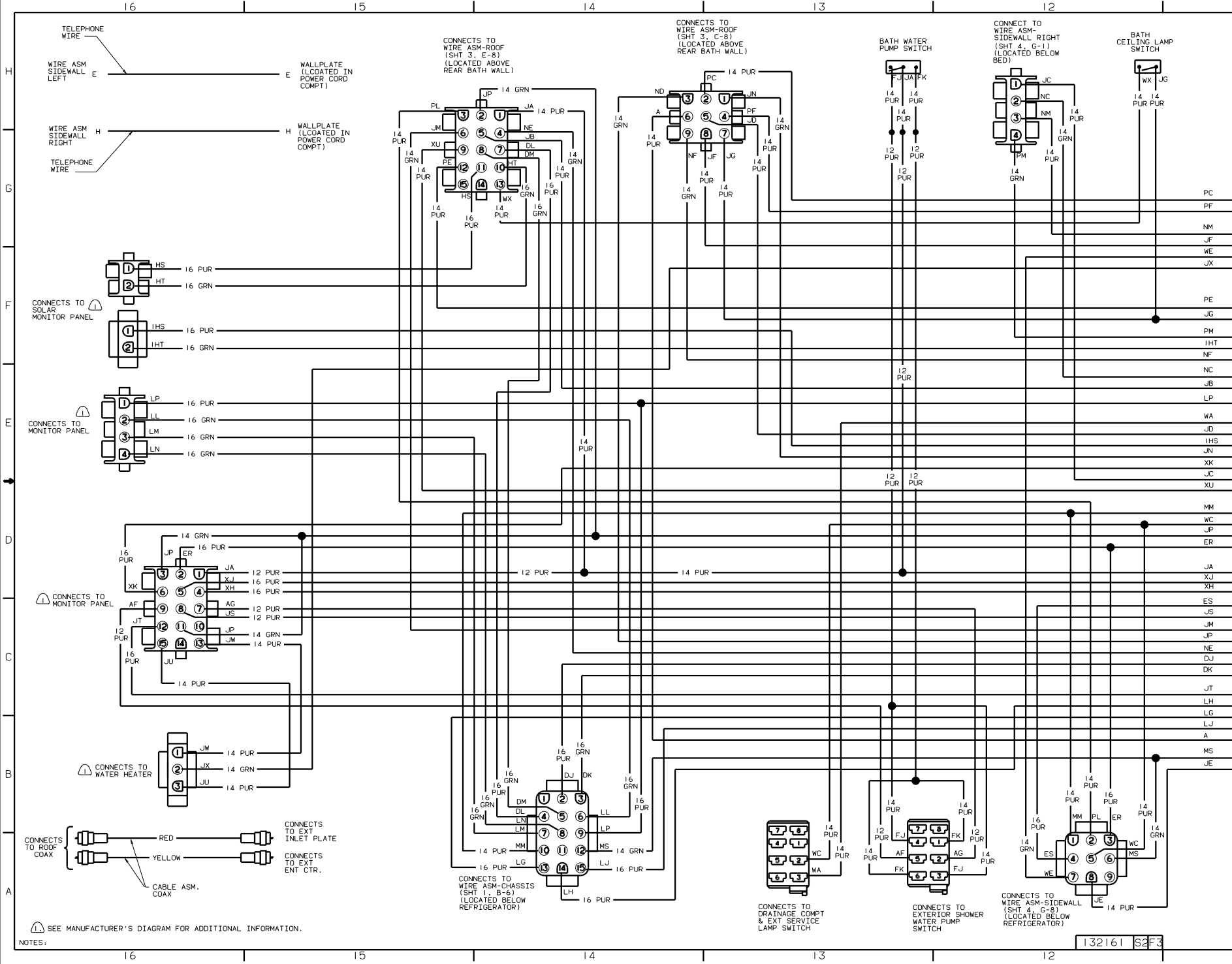
WIRING DIAGRAM-BODY I2V

REF: 130477

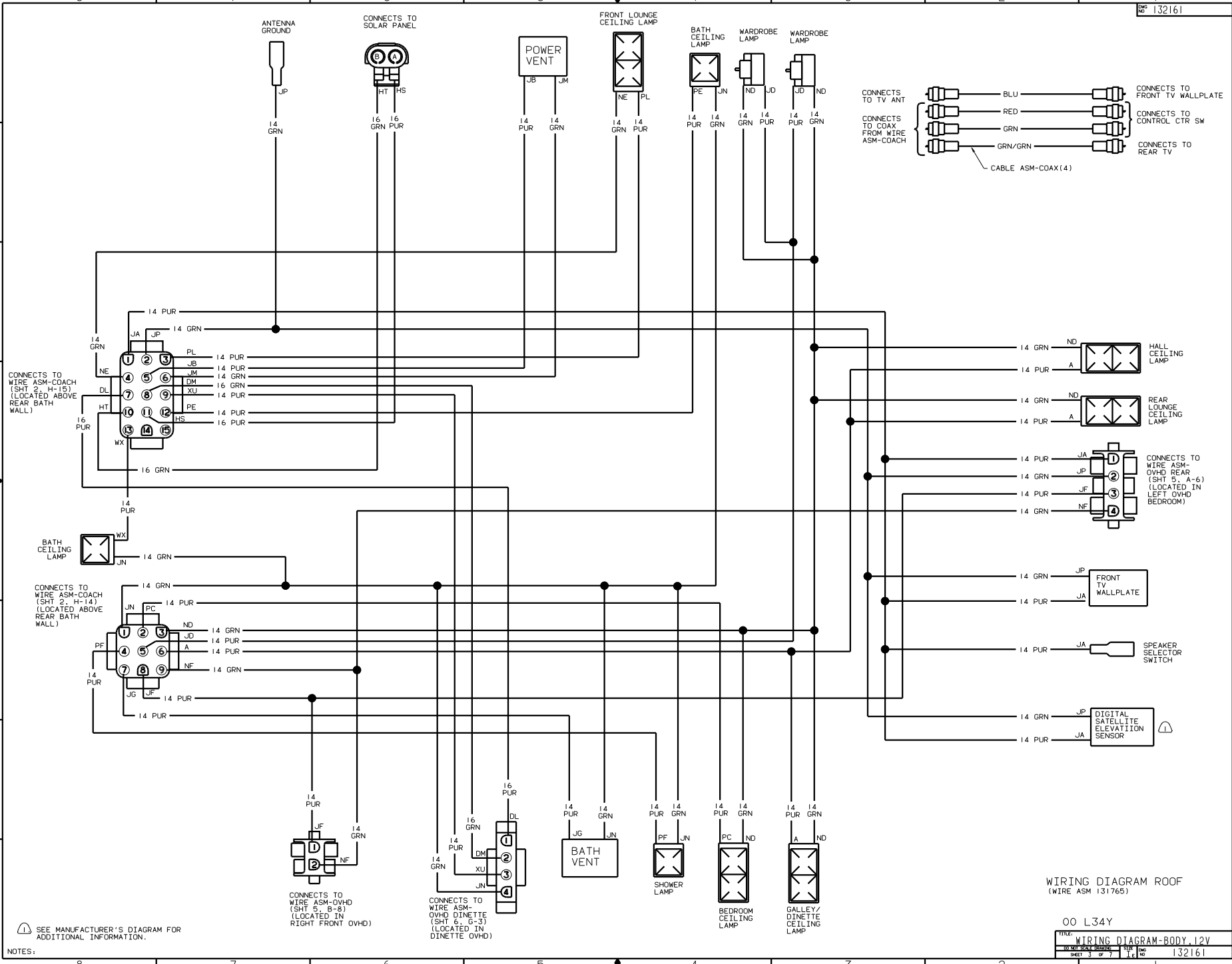








NOTES: SEE MANUFACTURER'S DIAGRAM FOR ADDITIONAL INFORMATION.



CONNECTS TO WIRE ASM-COACH (SHT 2, H-15) (LOCATED ABOVE REAR BATH WALL)

CONNECTS TO WIRE ASM-COACH (SHT 2, H-14) (LOCATED ABOVE REAR BATH WALL)

CONNECTS TO WIRE ASM-OVHD (SHT 5, B-3) (LOCATED IN RIGHT FRONT OVHD)

CONNECTS TO WIRE ASM-OVHD DINETTE (SHT 6, G-3) (LOCATED IN DINETTE OVHD)

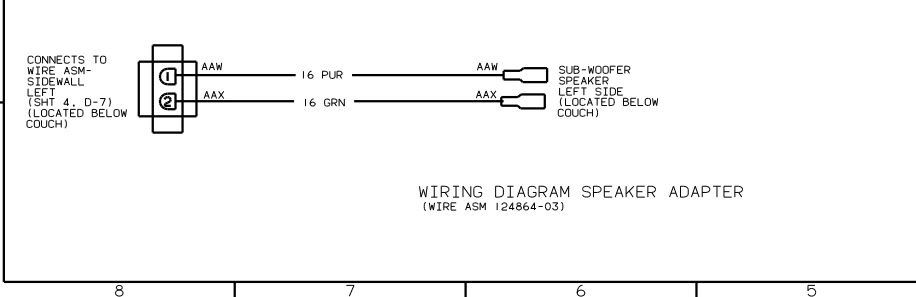
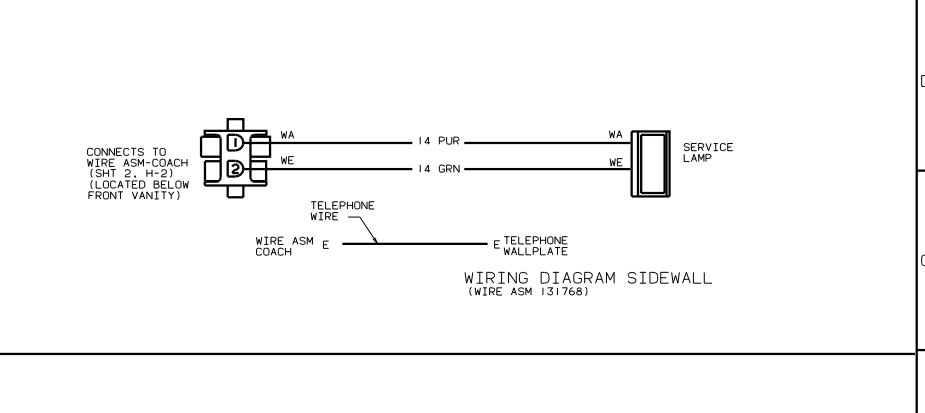
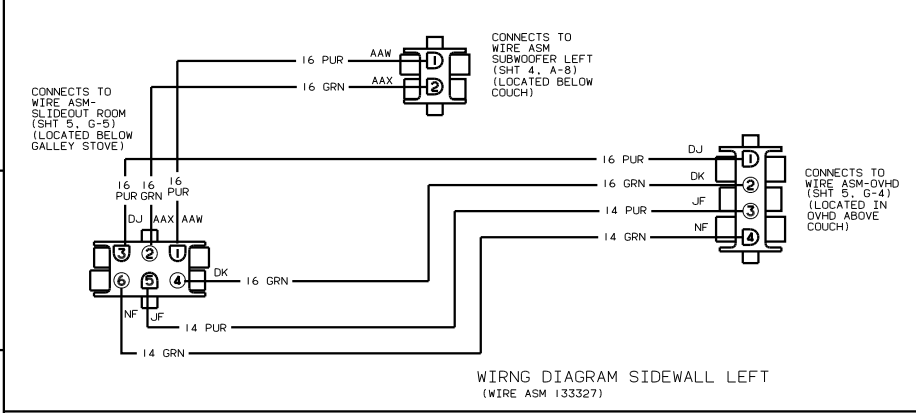
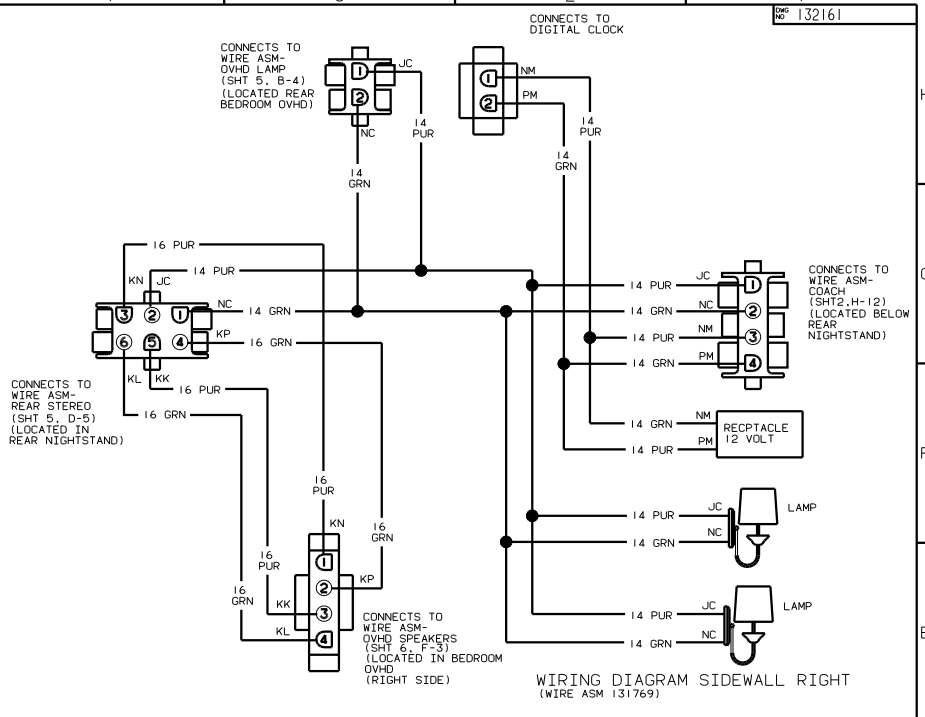
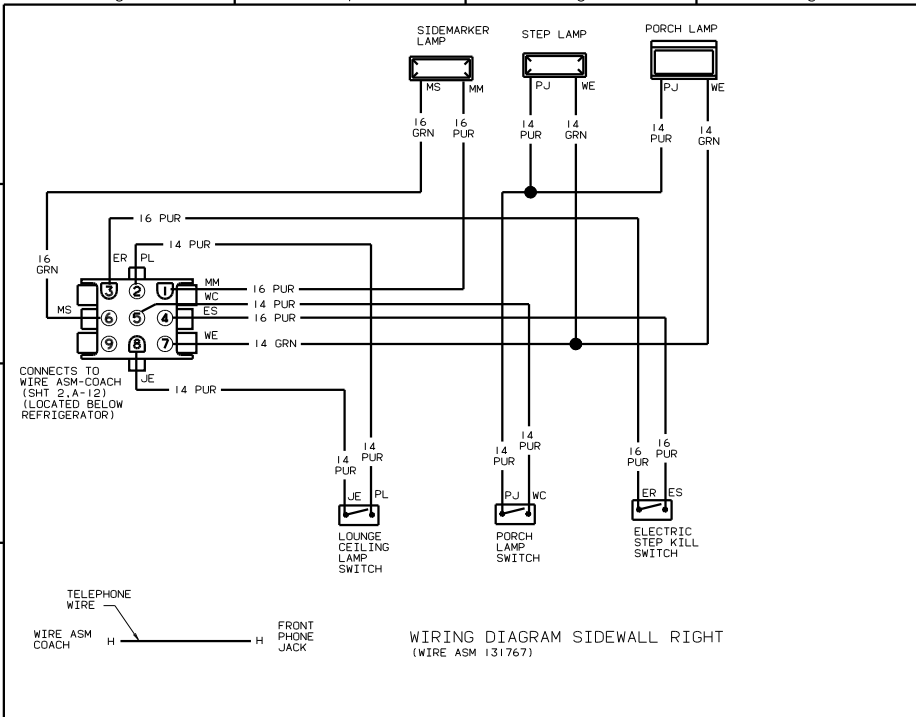
CONNECTS TO TV ANT
 CONNECTS TO COAX FROM WIRE ASM-COACH
 BLU
 RED
 GRN
 GRN/GRN
 CABLE ASM-COAX(4)
 CONNECTS TO FRONT TV WALLPLATE
 CONNECTS TO CONTROL CTR SW
 CONNECTS TO REAR TV

WIRING DIAGRAM ROOF (WIRE ASM 131765)

00 L34Y

TITLE:	WIRING DIAGRAM-BODY_12V
DATE:	1/6
SHEET:	3 OF 7
FIG. NO.:	132161

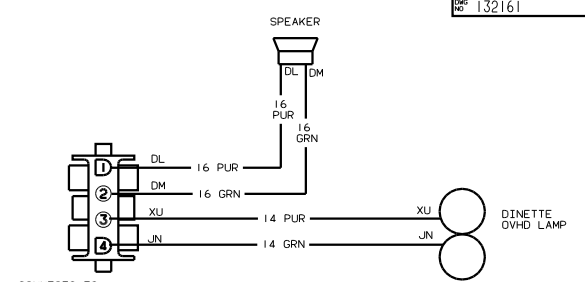
NOTES:
 1 SEE MANUFACTURER'S DIAGRAM FOR ADDITIONAL INFORMATION.





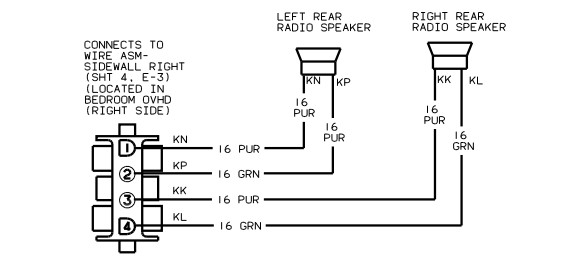
CONNECTS TO
WIRE ASM-COACH
(SHT 2, H-7)
(LOCATED BELOW
REFRIGERATOR)

WIRING DIAGRAM COMPARTMENT LAMP
(WIRE ASM 93051-08)



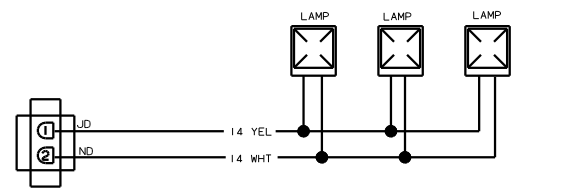
CONNECTS TO
WIRE ASM-ROOF
(SHT 3, A-5)
(LOCATED IN
DINETTE OVHD)

WIRING DIAGRAM OVHD
(WIRE ASM 126025-02)



CONNECTS TO
WIRE ASM-
SIDEWALL RIGHT
(SHT 4, E-3)
(LOCATED IN
BEDROOM OVHD
(RIGHT SIDE))

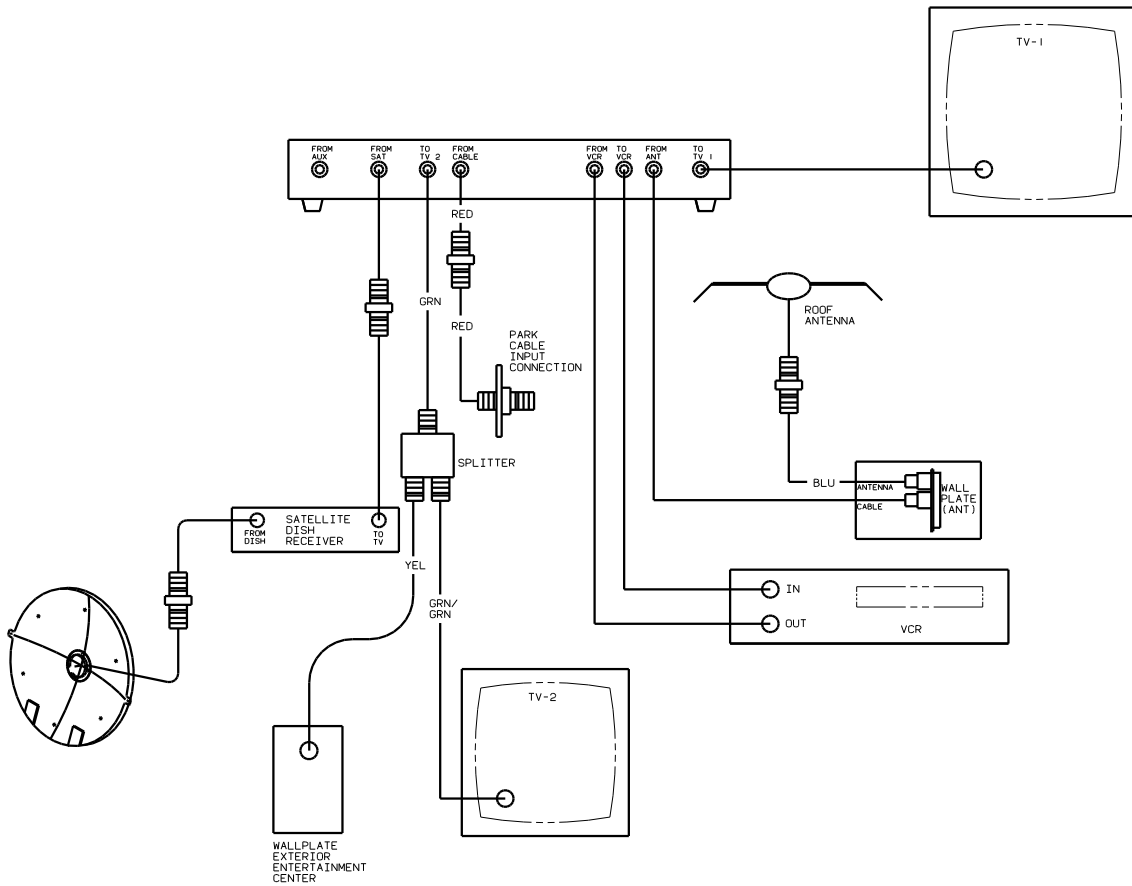
WIRING DIAGRAM OVHD REAR SPEAKERS
(WIRE ASM 104533)



WIRE ASM-
SLIDEOUT
(SHT 5, E-7)
(LOCATED BELOW
GALLEY)

WIRING DIAGRAM COMPT. SLIDEOUT
(WIRE ASM 129295)

00 L34Y



1. SEE WIRING INSTL-TV/VCR FRONT FOR ADDITIONAL INFORMATION.

NOTES:

OO L34Y

TITLE		132161	
WIRING DIAGRAM-BODY, 12V (COAX)			
NO. OF SHEETS	TOTAL SHEETS	DATE	REV.
1	1		
SHEET 1 OF 1		132161	