



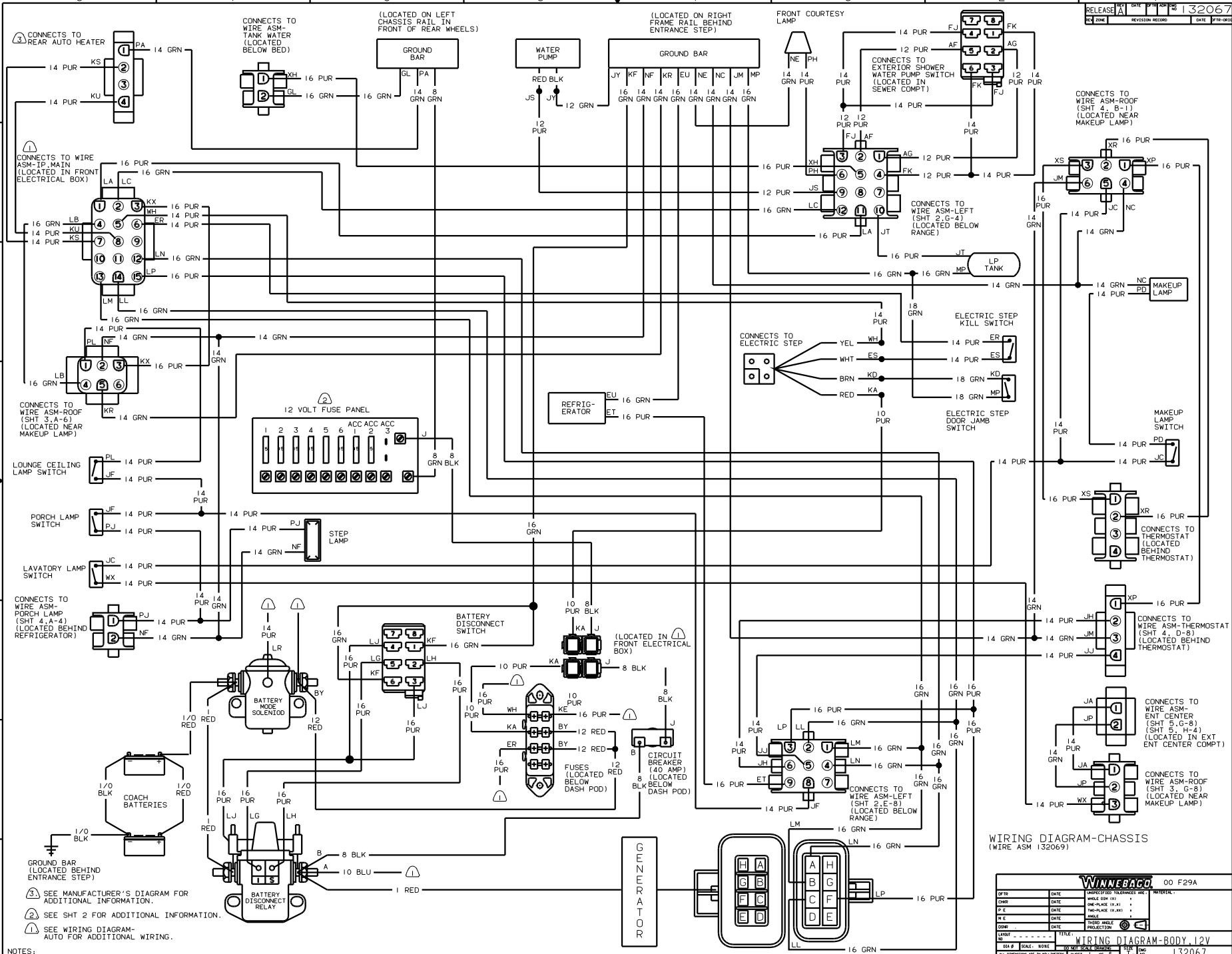
DANGER

Danger of electrical shock, burns or death. Always remove all power sources before attempting any repair, service or diagnostic work. Power can be present from shore power, generator, inverter or battery. All power sources must be disabled and secured before performing any service.



CAUTION

If you lack the skills, tools or equipment to perform diagnostic or repair work leave such work to an authorized Winnebago Industries dealer or other qualified shop.



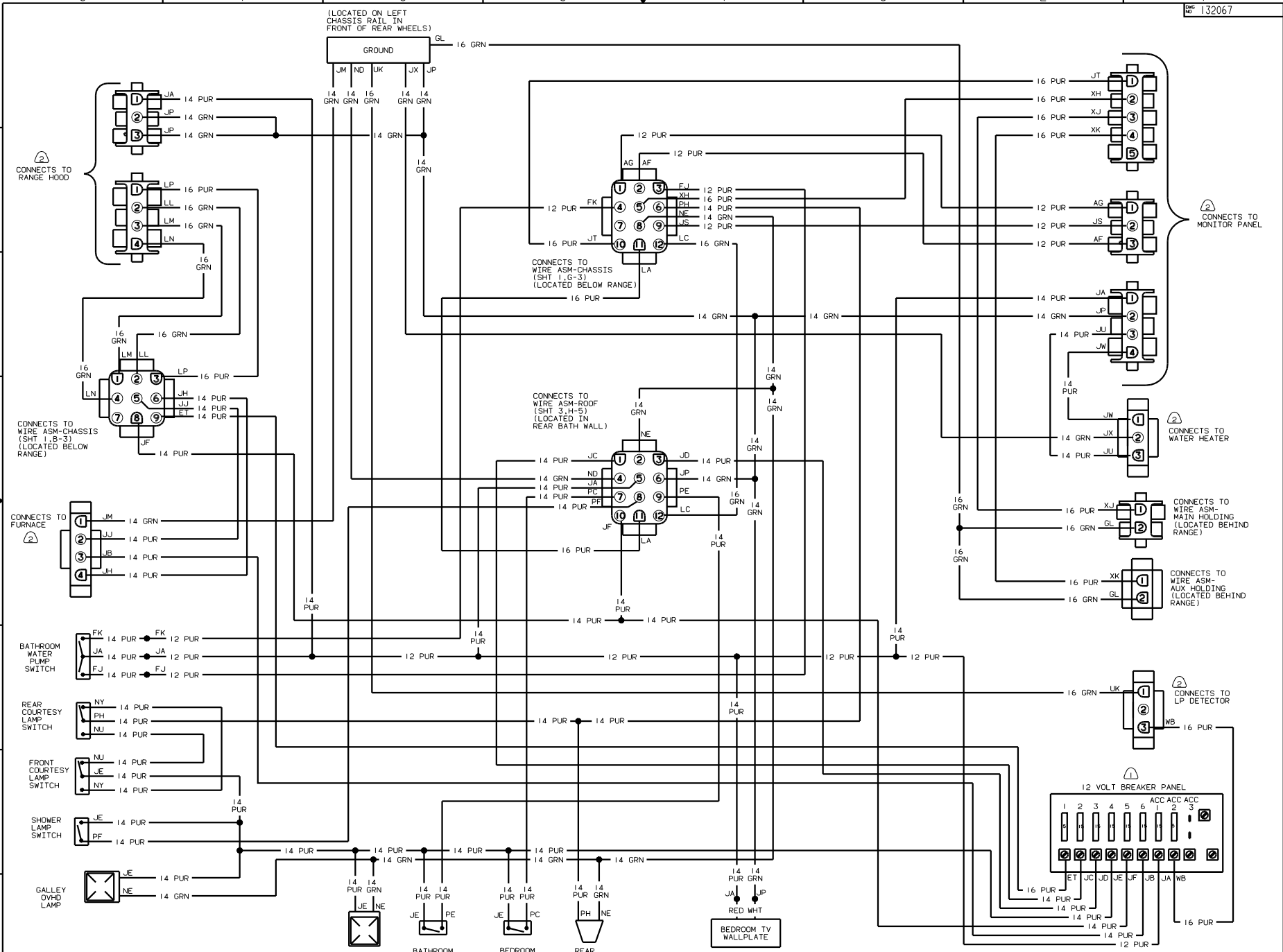
NOTES:
 1. SEE MANUFACTURER'S DIAGRAM FOR ADDITIONAL INFORMATION.
 2. SEE SHT 2 FOR ADDITIONAL INFORMATION.
 3. SEE WIRING DIAGRAM-AUTO FOR ADDITIONAL WIRING.

WINNEBAGO 00 F29A

DATE	UNSPECIFIED TOLERANCES ARE	MATERIAL
DATE	ONE-PLACE (1, 2)	
DATE	TWO-PLACE (1, 2, 3)	
DATE	THREE-PLACE (1, 2, 3, 4)	
DATE	FOUR-PLACE (1, 2, 3, 4, 5)	
DATE	FIVE-PLACE (1, 2, 3, 4, 5, 6)	
DATE	SIX-PLACE (1, 2, 3, 4, 5, 6, 7)	
DATE	SEVEN-PLACE (1, 2, 3, 4, 5, 6, 7, 8)	
DATE	EIGHT-PLACE (1, 2, 3, 4, 5, 6, 7, 8, 9)	
DATE	NINE-PLACE (1, 2, 3, 4, 5, 6, 7, 8, 9, 0)	
DATE	TEN-PLACE (1, 2, 3, 4, 5, 6, 7, 8, 9, 0, 1)	

WIRING DIAGRAM-BODY 12V

REF: 129557 132067

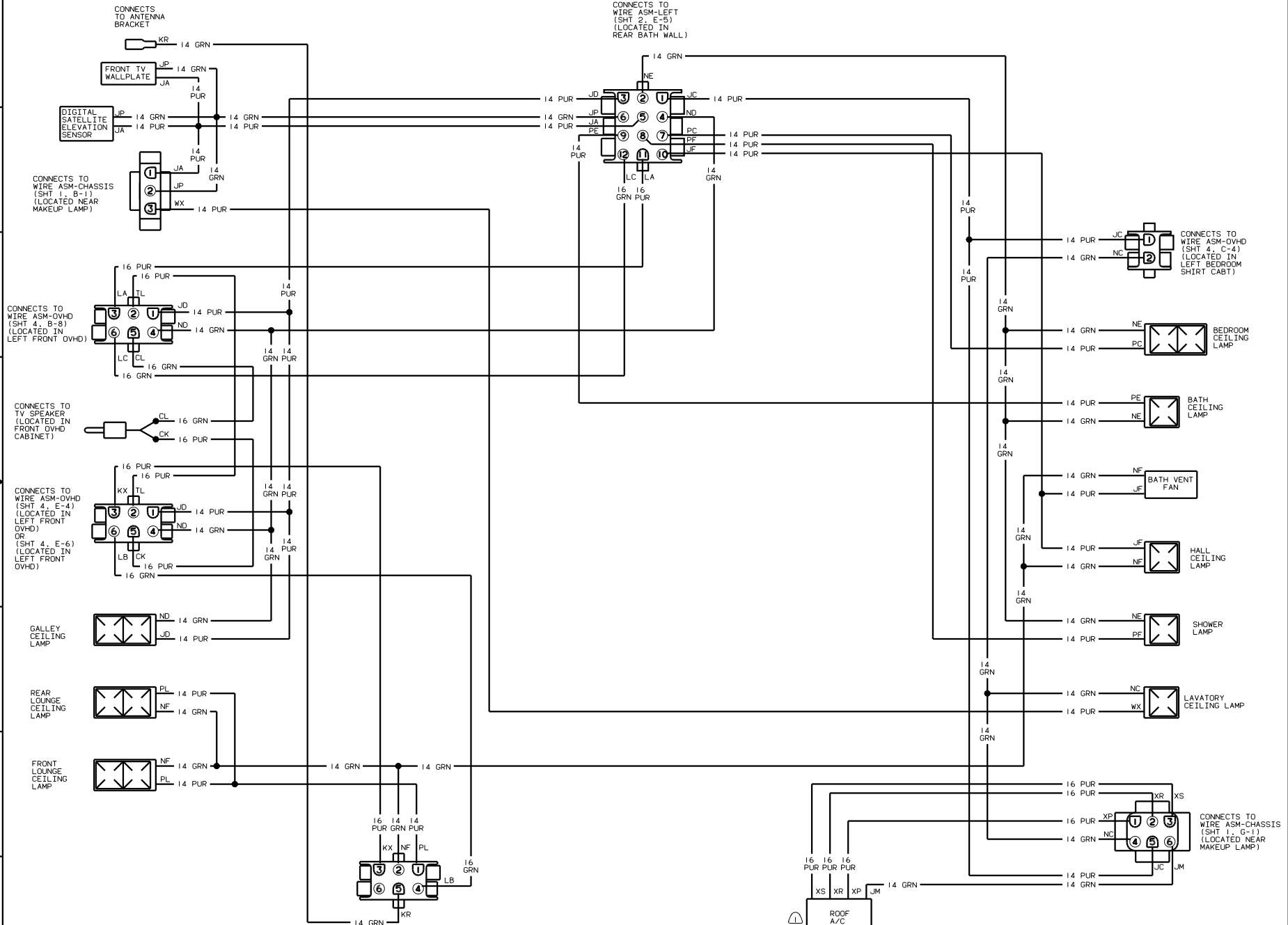


NOTES:
 ② SEE MANUFACTURE'S DIAGRAM FOR ADDITIONAL INFORMATION.
 ① SEE SHT 1 FOR ADDITIONAL INFORMATION.

WIRING DIAGRAM-LEFT
 (WIRE ASM 129556)

00 F29A

TITLE		WIRING DIAGRAM-BODY_12V	
NO. OF SHEETS	TOTAL SHEETS	DATE	REV.
2	5	11/16	1
DRAWN		132067	

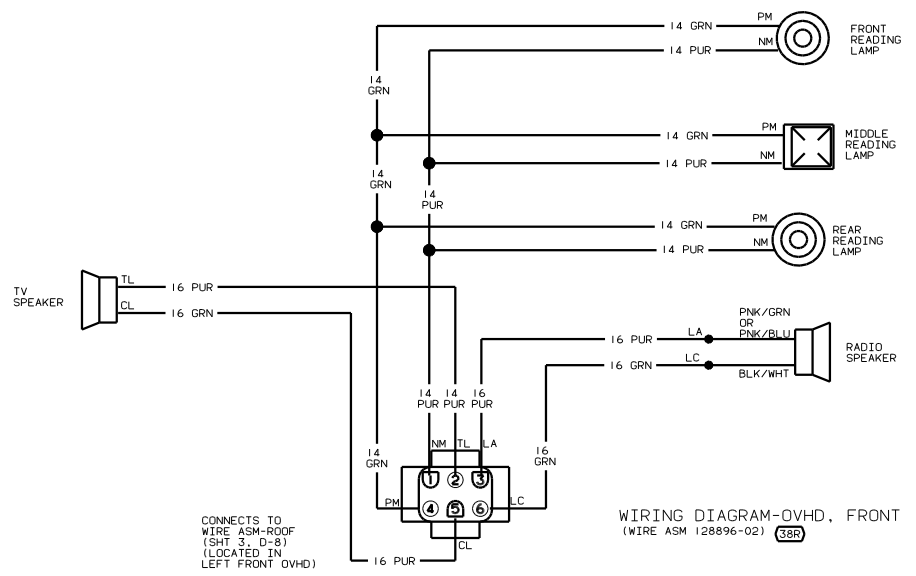


WIRING DIAGRAM ROOF (WIRE ASM 129621)

00 F29A

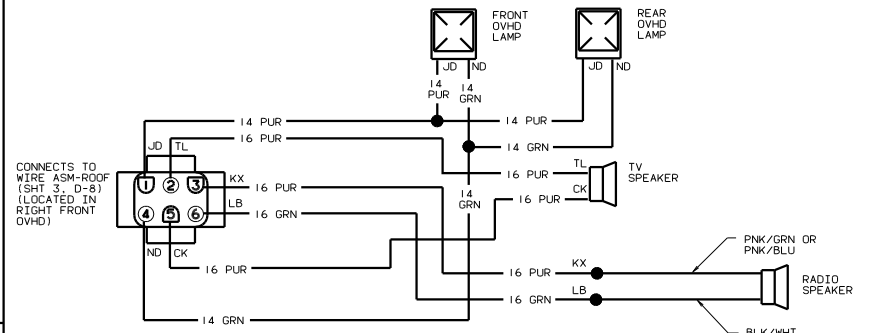
TITLE: WIRING DIAGRAM-BODY_12V	
NO. OF SHEETS: 5	SHEET NO: 3
DATE: 1/6	REV: 1
132067	

NOTES: 1 SEE MANUFACTURER'S DIAGRAM FOR ADDITIONAL INFORMATION.

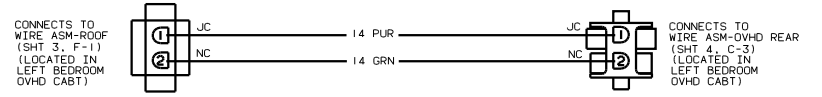


CONNECTS TO WIRE ASM-ROOF (SHT 3, D-8) (LOCATED IN LEFT FRONT OVHD)

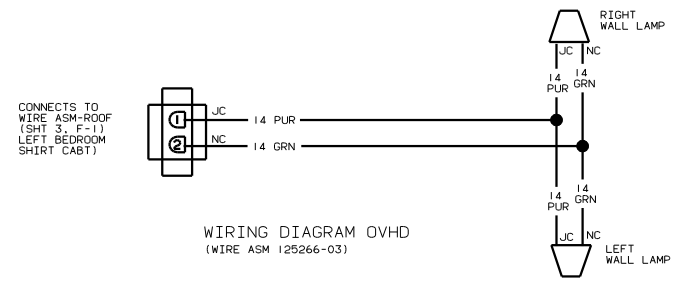
WIRING DIAGRAM-OVHD, FRONT (WIRE ASM 128896-02) **38R**



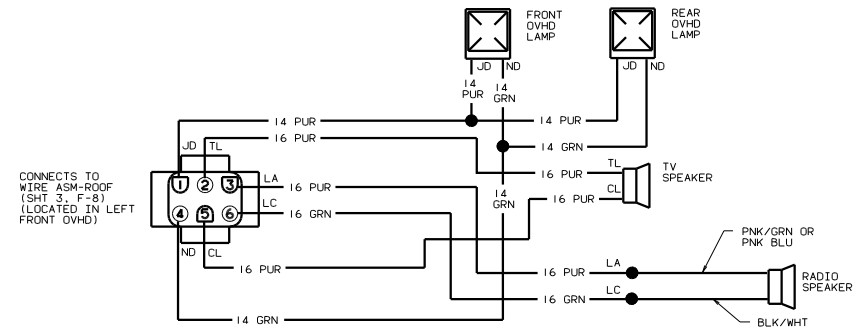
WIRING DIAGRAM OVHD (WIRE ASM 128589-01)



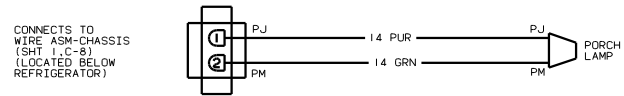
WIRING DIAGRAM-OVHD EXT (WIRE ASM 130858) **45G**



WIRING DIAGRAM OVHD (WIRE ASM 125266-03)

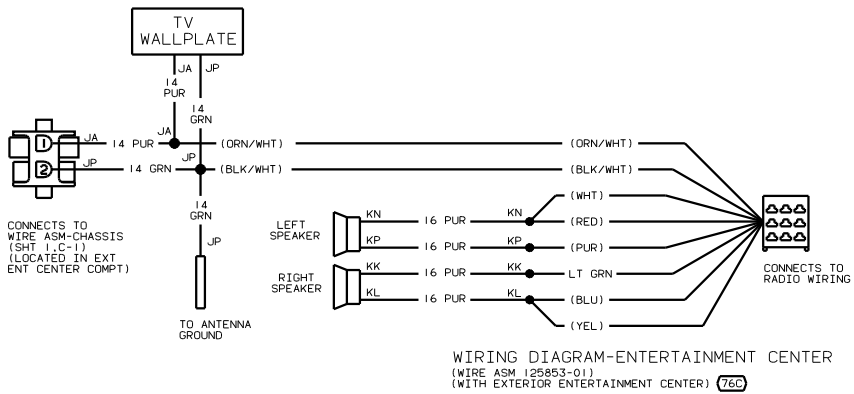


WIRING DIAGRAM OVHD (WIRE ASM 128589-02)

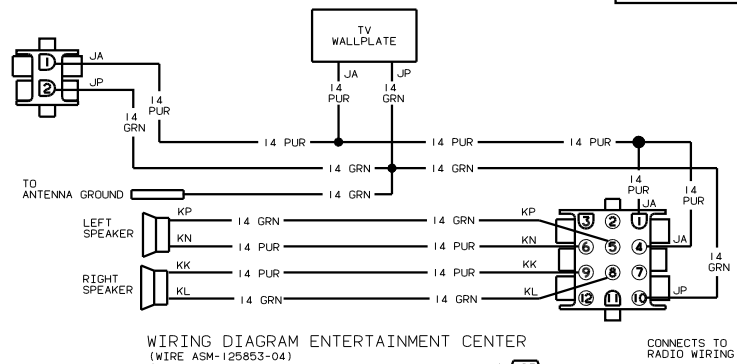


WIRING DIAGRAM-PORCH LAMP (WIRE ASM 93051-02)

45G BED-TWINS
38R COMFORT & CONVENIENCE PKG
 00 F29A



CONNECTS TO WIRE ASM-CHASSIS (SHT 1,C-1) (LOCATED IN EXT ENT CENTER COMPT)



76C ENTERTAINMENT CTR/EXT CASSETTE

1D5 ENTERTAINMENT CTR/EXT W/CD

00 F29A

TITLE: WIRING DIAGRAM-BODY 12V
 30 DAY SCALE DRAWING
 SHEET 5 OF 5

FIG NO 132067