



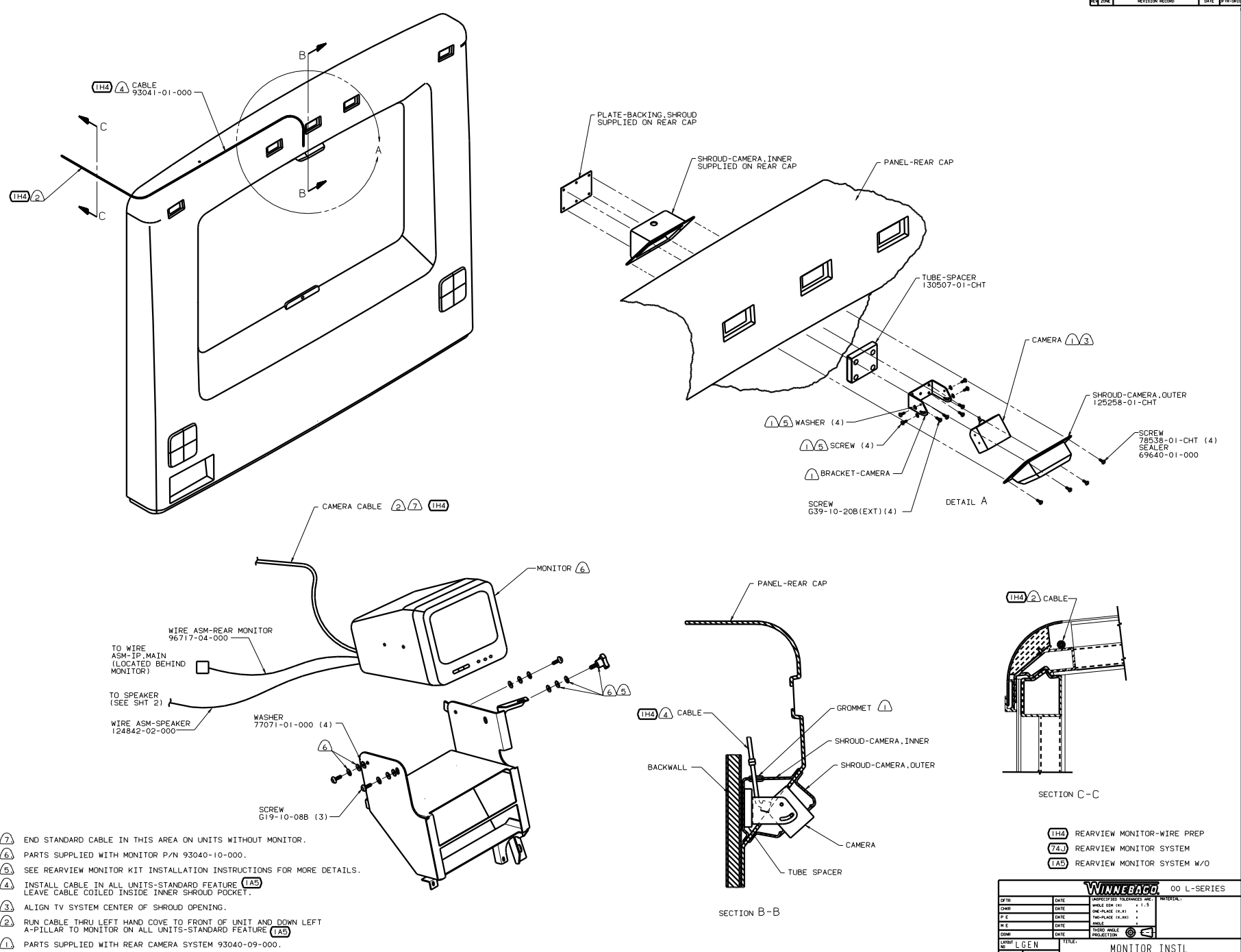
**DANGER**

**Danger of electrical shock, burns or death.** Always remove all power sources before attempting any repair, service or diagnostic work. Power can be present from shore power, generator, inverter or battery. All power sources must be disabled and secured before performing any service.



**CAUTION**

If you lack the skills, tools or equipment to perform diagnostic or repair work leave such work to an authorized Winnebago Industries dealer or other qualified shop.



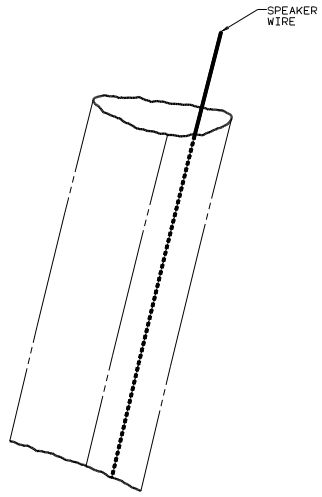
- NOTES:
- ① END STANDARD CABLE IN THIS AREA ON UNITS WITHOUT MONITOR.
  - ② PARTS SUPPLIED WITH MONITOR P/N 93040-10-000.
  - ③ SEE REARVIEW MONITOR KIT INSTALLATION INSTRUCTIONS FOR MORE DETAILS.
  - ④ INSTALL CABLE IN ALL UNITS-STANDARD FEATURE (IAS) LEAVE CABLE COILED INSIDE INNER SHROUD POCKET.
  - ⑤ ALIGN TV SYSTEM CENTER OF SHROUD OPENING.
  - ⑥ RUN CABLE THRU LEFT HAND COVE TO FRONT OF UNIT AND DOWN LEFT A-PILLAR TO MONITOR ON ALL UNITS-STANDARD FEATURE (IAS)
  - ⑦ PARTS SUPPLIED WITH REAR CAMERA SYSTEM 93040-09-000.

- (1H4) REARVIEW MONITOR-WIRE PREP
- (7A) REARVIEW MONITOR SYSTEM
- (IAS) REARVIEW MONITOR SYSTEM W/O

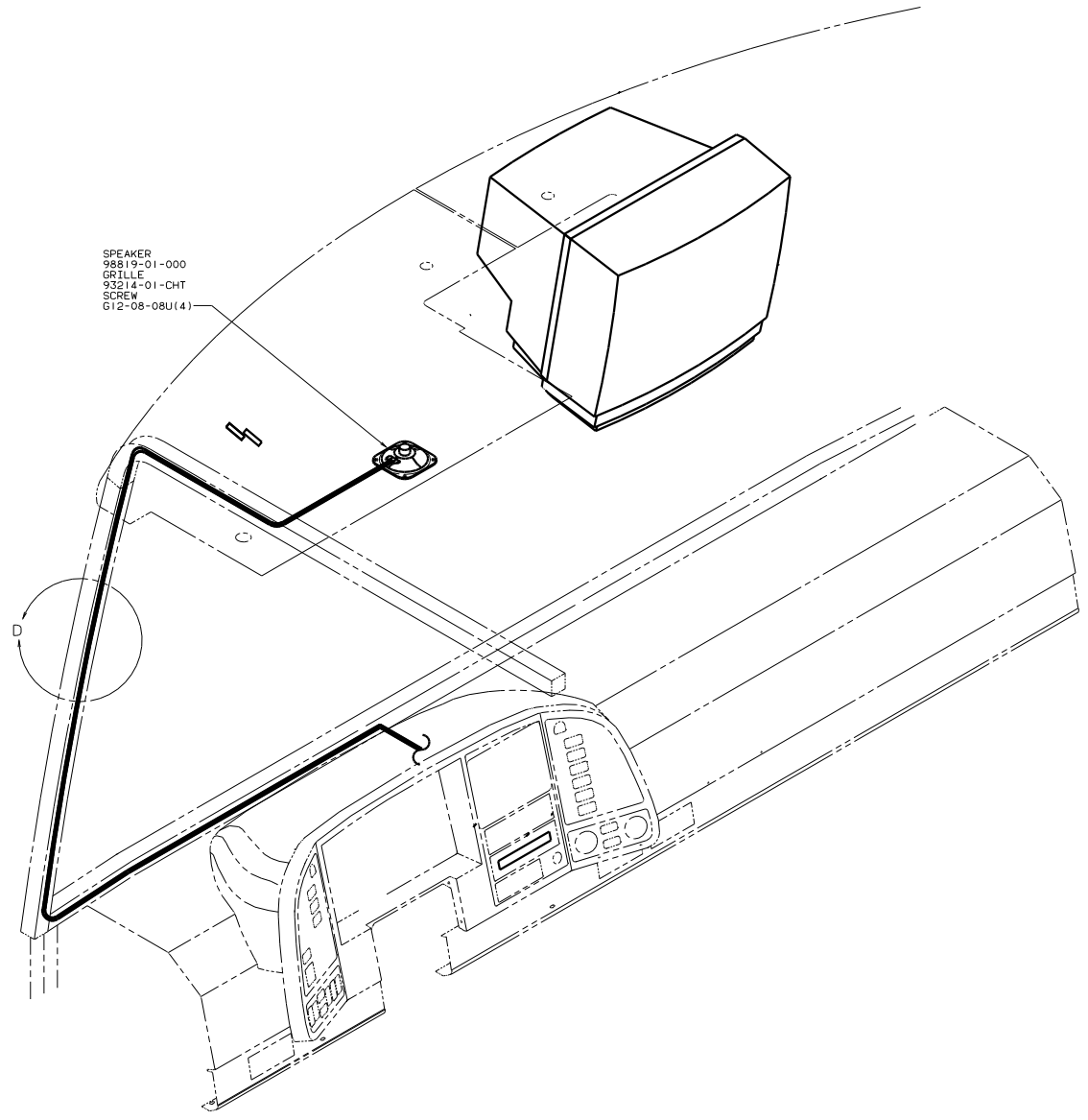
WINNEBAGO OO L-SERIES			
QTY	DATE	UNSPECIFIED TOLERANCES ARE:	MATERIAL
CHP	DATE	FR. OR. OR. .	. 1: 1:5
W/P	DATE	ONE-PLACE (K. 31)	
D/E	DATE	TWO-PLACE (K. 31)	
D/E	DATE	ANGLE	
CON	DATE	THRU W/NG	PRODUCTION

LAUNCH BY LGEN	TITLE: MONITOR INSTL
REV #	SCALE: NONE
ALL DIMENSIONS ARE IN MILLIMETERS	NO. OF SHEETS: 2
	SHEET 1 OF 2
	DATE: 11 32036



SPEAKER  
98819-01-000  
GRILLE  
93214-01-CHT  
SCREW  
G12-08-08U(4)



00 L-SERIES

TITLE		MONITOR INSTL	
SCALE	FIG	REV	132036
SHEET 2 OF 2	1 E		