



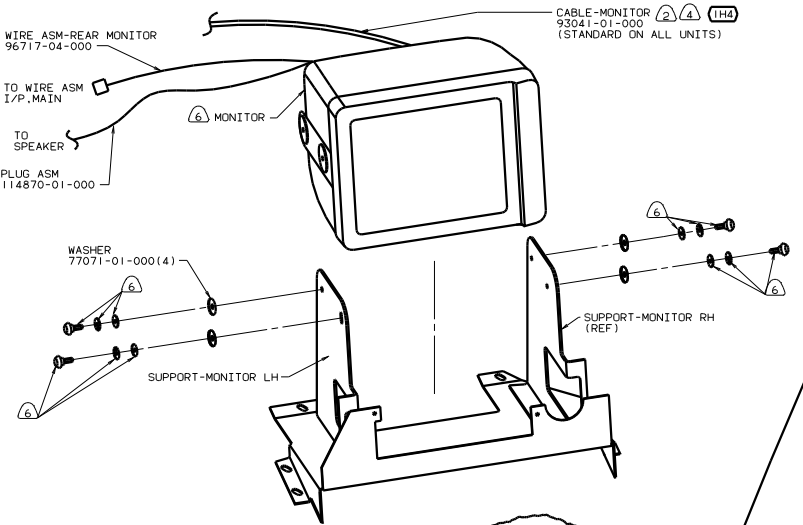
DANGER

Danger of electrical shock, burns or death. Always remove all power sources before attempting any repair, service or diagnostic work. Power can be present from shore power, generator, inverter or battery. All power sources must be disabled and secured before performing any service.

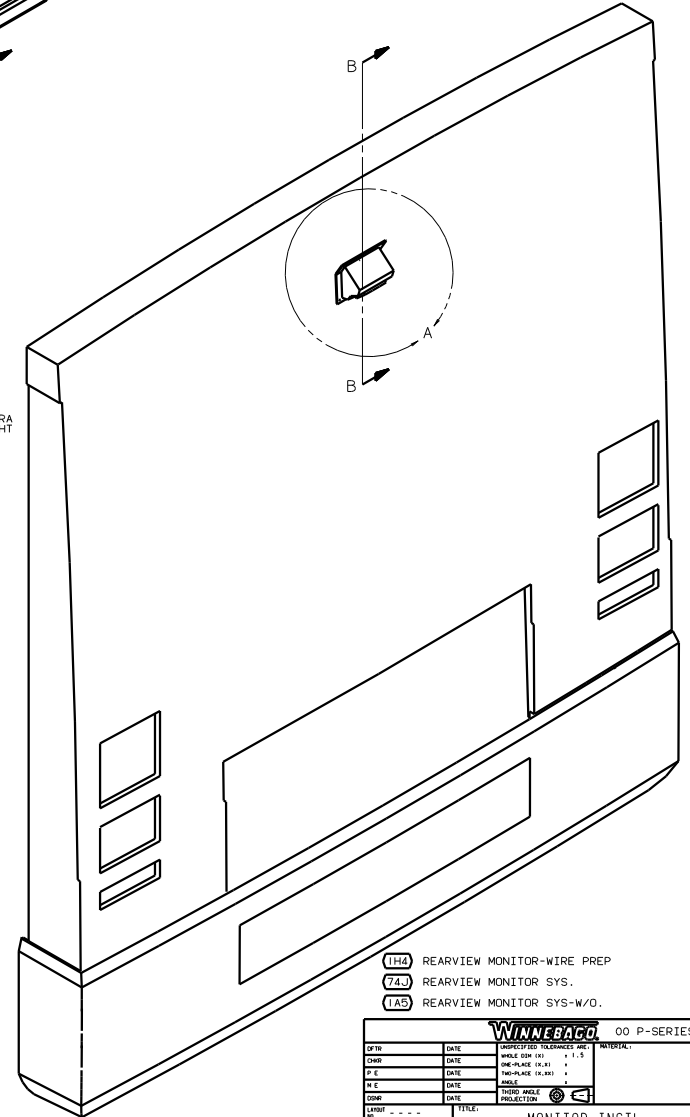
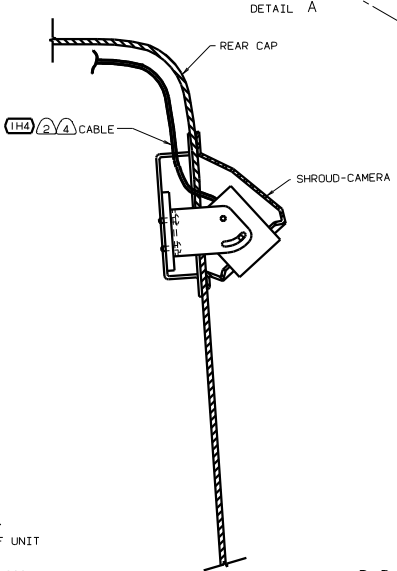
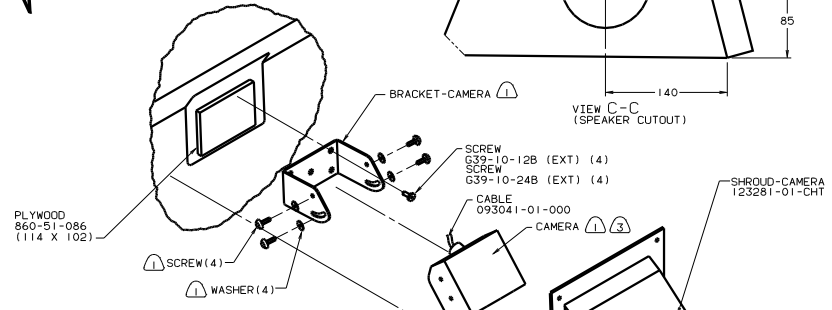
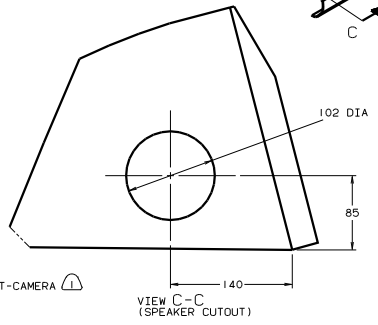
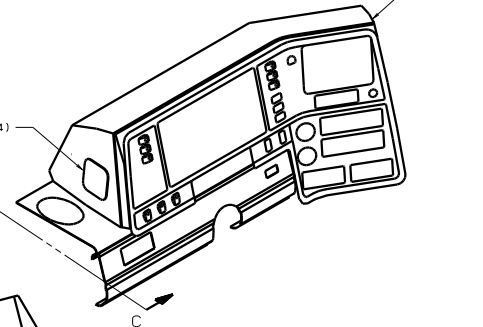


CAUTION

If you lack the skills, tools or equipment to perform diagnostic or repair work leave such work to an authorized Winnebago Industries dealer or other qualified shop.



SPEAKER
 98819-01-000
 GRILLE
 93214-01-CHT
 SCREW
 G13-07-12U (4)



- ① PARTS SUPPLIED WITH MONITOR P/N 93040-10-000.
- ② SEE PANEL-REAR CAP FOR LOCATION.
- ③ ①A5 OR ①H4 END STANDARD CABLE IN THIS AREA ON UNITS WITHOUT MONITOR.
- ④ ALIGN TV SYSTEM CENTER OF SHROUD OPENING.
- ⑤ RUN CABLE THRU LEFT HAND COVE TO FRONT OF UNIT AND DOWN LEFT A-PILLAR TO MONITOR.
- ⑥ PARTS SUPPLIED WITH REAR CAMERA 93040-09-000.

SECTION B-B

- ①H4 REARVIEW MONITOR-WIRE PREP
- ⑦A3 REARVIEW MONITOR SYS.
- ①A5 REARVIEW MONITOR SYS-W/O.

UNSPECIFIED TOLERANCES ARE:		MATERIAL:	
CHP	DATE	WHOLE OR 1/2"	F 1:1
FR	DATE	ONE-PLACE (R.A.)	
PL	DATE	TWO-PLACE (R.A.)	
DI	DATE	ANGLES	
CDR	DATE	THIRD ANGLE PROJECTION	

WINNEBAGO 00 P-SERIES

MONITOR INSTL

REF: 129583-B 1