



DANGER

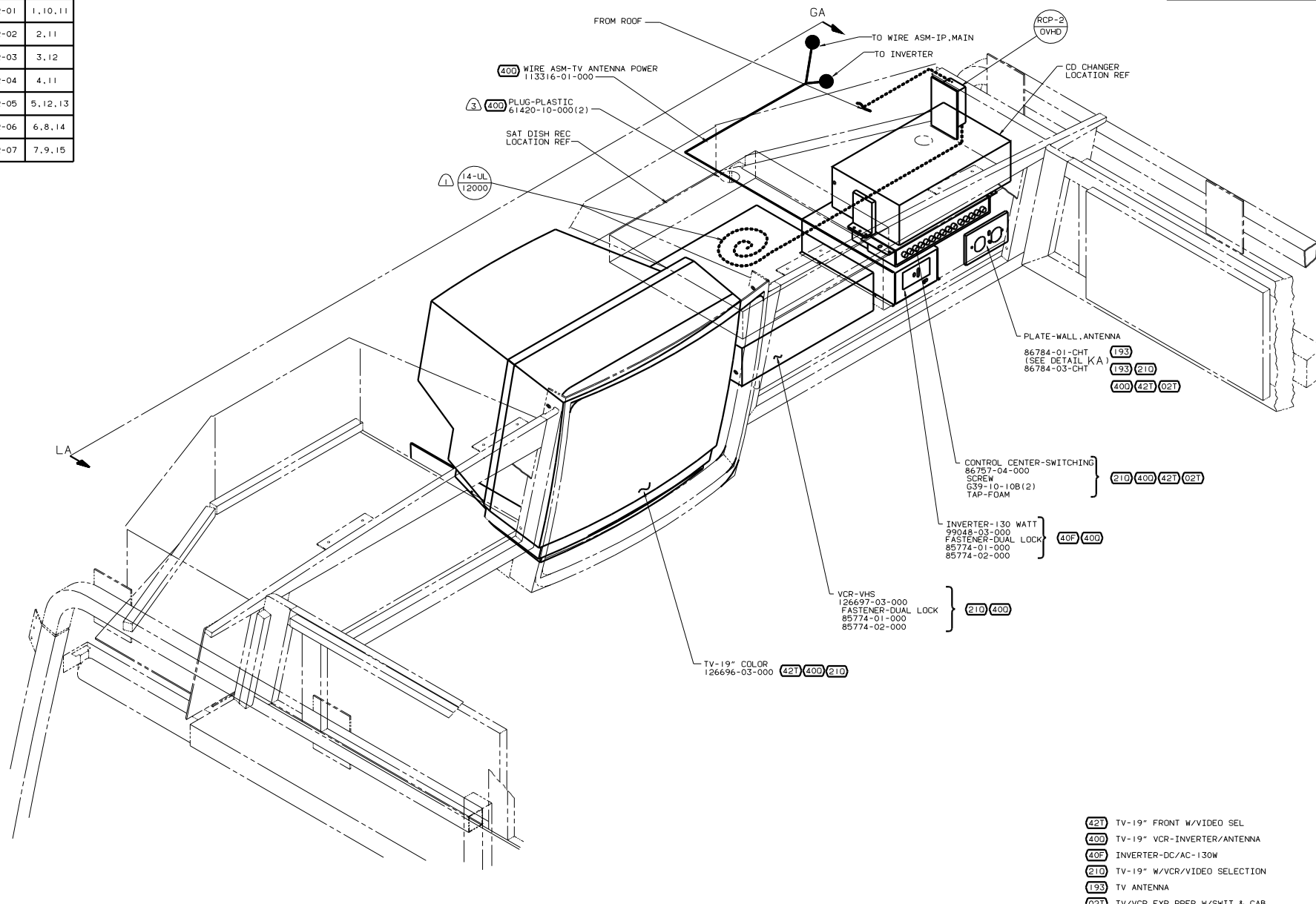
Danger of electrical shock, burns or death. Always remove all power sources before attempting any repair, service or diagnostic work. Power can be present from shore power, generator, inverter or battery. All power sources must be disabled and secured before performing any service.



CAUTION

If you lack the skills, tools or equipment to perform diagnostic or repair work leave such work to an authorized Winnebago Industries dealer or other qualified shop.

DWG NO.	SHEET
132032-01	1, 10, 11
132032-02	2, 11
132032-03	3, 12
132032-04	4, 11
132032-05	5, 12, 13
132032-06	6, 8, 14
132032-07	7, 9, 15



- ③ SLIT AS NEEDED TO RUN WIRES.
- ② WHERE WIRES PASS THROUGH HOLES IN STEEL AND ARE NOT OTHERWISE PROTECTED, USE GROMMET 92908-02-000.
- ① ④00 COIL EXCESS 110V WIRE IN OVHD.

FOR ELECTRICAL CALLOUTS SEE DWG NO. 121339-01-000

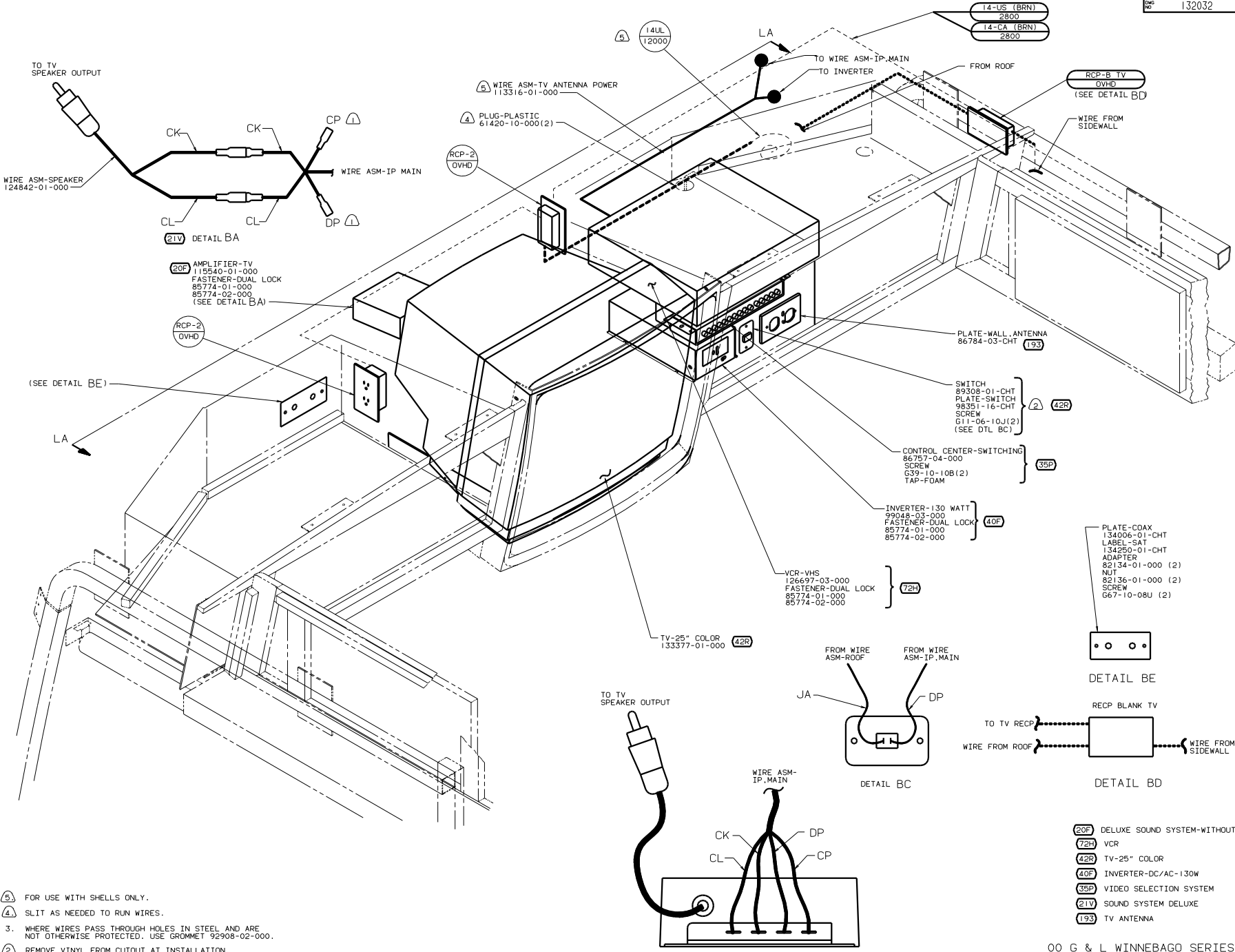
- ④21 TV-19" FRONT W/VIDEO SEL
- ④00 TV-19" VCR-INVERTER/ANTENNA
- ④0F INVERTER-DC/AC-130W
- ②10 TV-19" W/VCR/VIDEO SELECTION
- ①93 TV ANTENNA
- ②21 TV/VCR EXP PREP W/SWIT & CAB

00 F-SERIES

WINNEBAGO 00 A-BODIES

OF IN	DATE	UNSPECIFIED TOLERANCES ARE:	MATERIAL
OMP	DATE	WHOLE OR .01	
PIE	DATE	ONE-PLACE (X.X1)	
P/E	DATE	TWO-PLACE (X.XX)	
COMB	DATE	THREE-PLACE (X.XXX)	
DATE	DATE	THIRD ANGLE PROJECTION	

LANE: GGEN TITLE: WIRING INSTL - TV/VCR FRONT
 SHEET 1 OF 15 REF: 128581 L I 132032



- ⑤ FOR USE WITH SHELLS ONLY.
- ④ SLIT AS NEEDED TO RUN WIRES.
- 3. WHERE WIRES PASS THROUGH HOLES IN STEEL AND ARE NOT OTHERWISE PROTECTED. USE GROMMET 92908-02-000.
- ② REMOVE VINYL FROM CUTOUT AT INSTALLATION.
- ① NOT USED WITH ②1V SOUND SYSTEM-DLX.

- ②0F DELUXE SOUND SYSTEM-WITHOUT VCR
- ⑦2H VCR
- ④2B TV-25" COLOR
- ④0F INVERTER-DC/AC-130W
- VIDEO SELECTION SYSTEM
- ②1V SOUND SYSTEM DELUXE
- ①93 TV ANTENNA

00 G & L WINNEBAGO SERIES

FILE NO	WIRING INSTL-TV/VCR FRONT
NO. OF SHEETS	15
SHEET NO	2
REV	1
DATE	132032

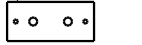
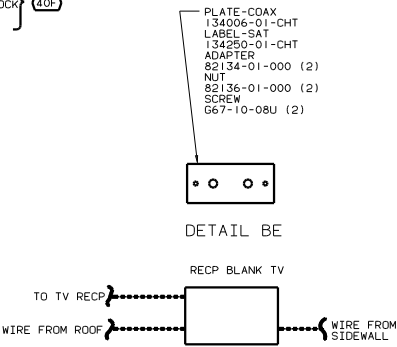
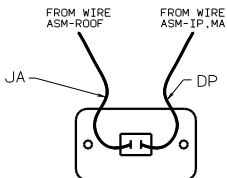
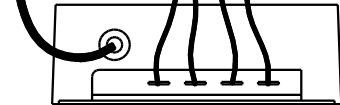
NOTES:

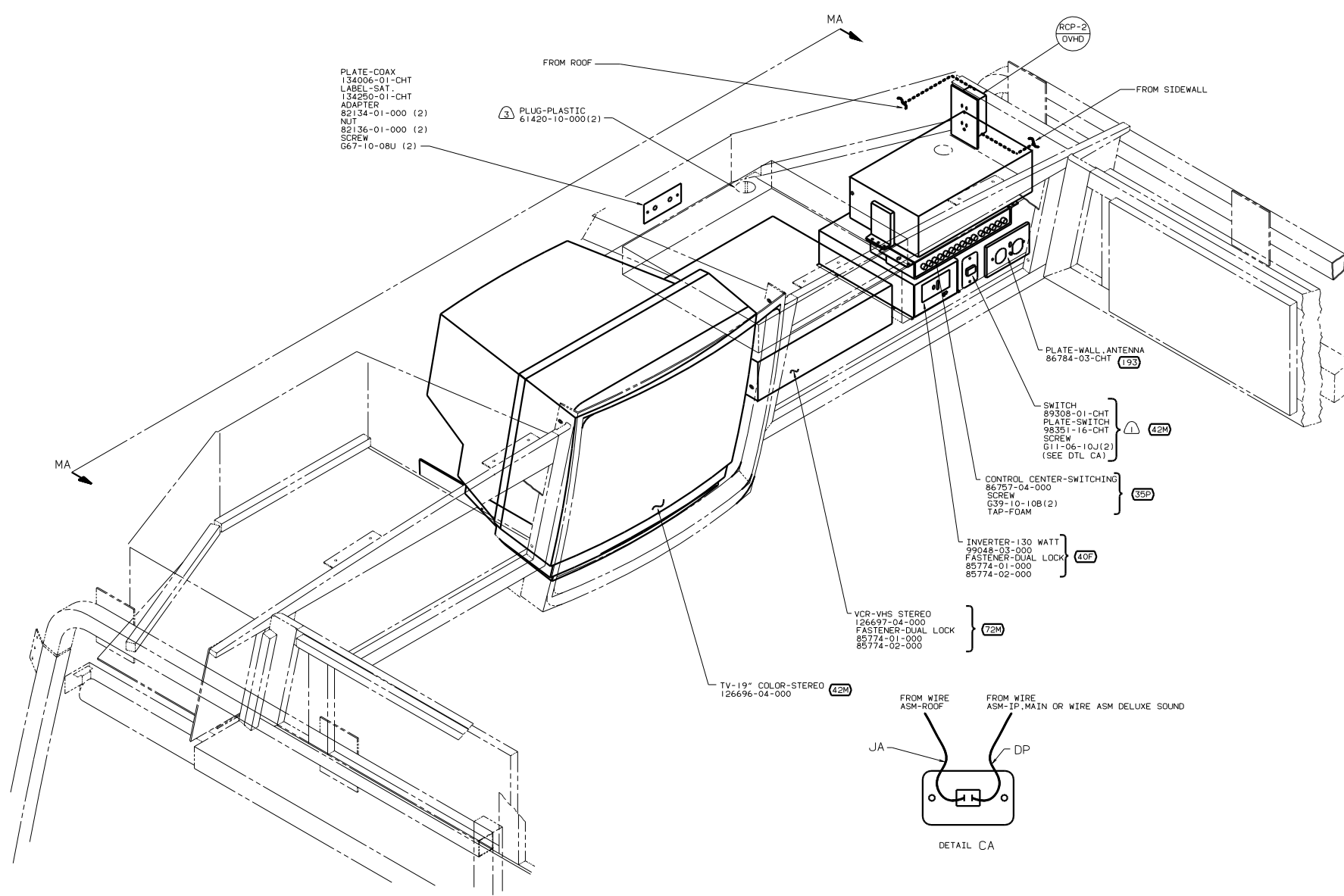
DETAIL BA (20F)

DETAIL BC

DETAIL BD

DETAIL BE



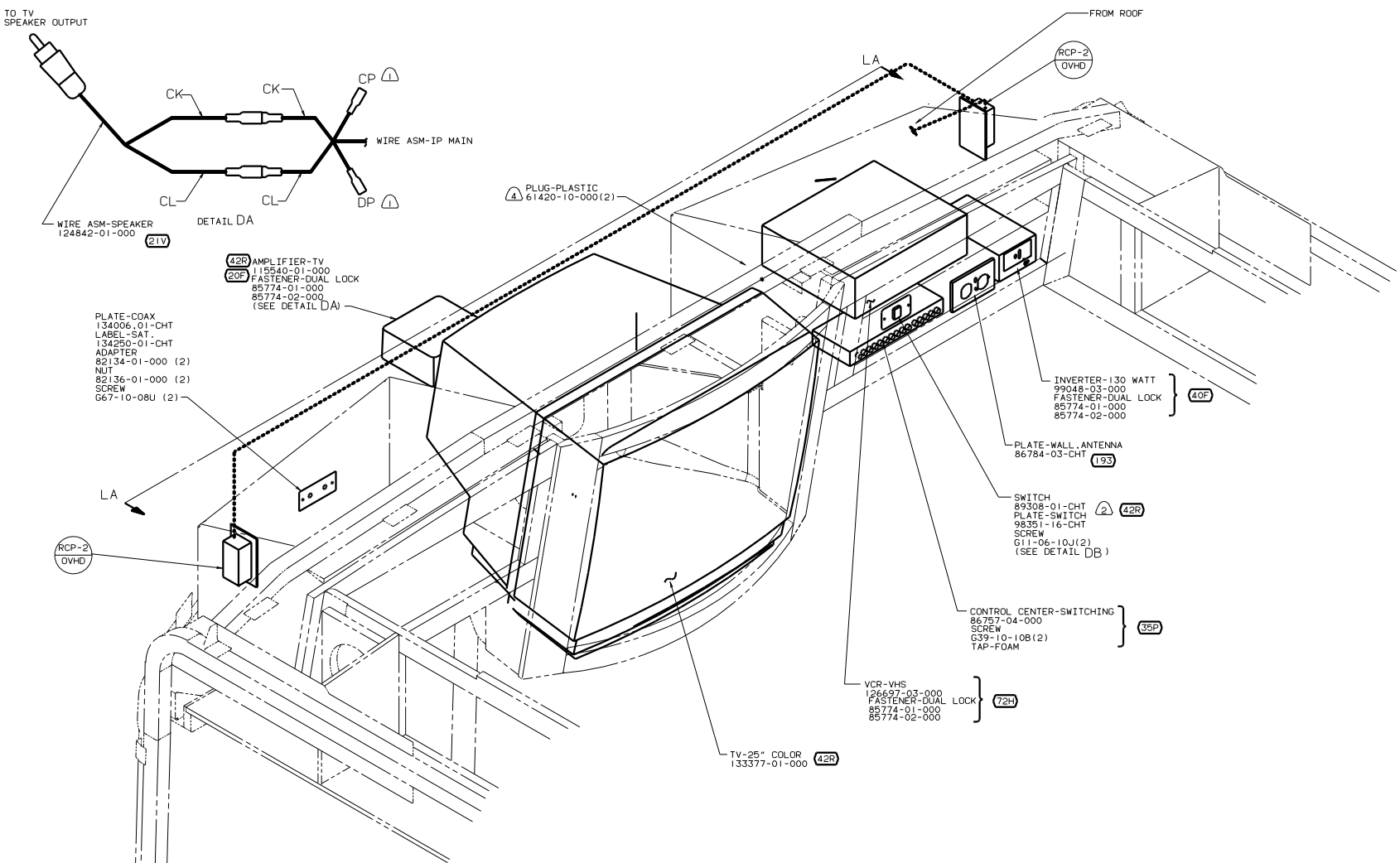


- NOTES:
3. SLIT AS NEEDED TO RUN WIRES.
 2. WHERE WIRES PASS THROUGH HOLES IN STEEL AND ARE NOT OTHERWISE PROTECTED. USE GROMMET 92908-02-000.
 1. REMOVE VINYL FROM CUTOUT AT INSTALLATION.

- (72M) VCR-STEREO
- (42M) TV-19" COLOR W/STEREO
- (40F) INVERTER-DC/AC-130W
- (35P) VIDEO SELECTION SYSTEM
- (193) TV ANTENNA

00 L ITASCA SERIES

TITLE		132032	
WIRING INSTL - TV/VCR FRONT			
NO. OF SHEETS	TOTAL SHEETS	REV.	DATE
3	15	1	



- PLATE-COAX
134006-01-CHT
- LABEL-SAT.
134250-01-CHT
- ADAPTER
82134-01-000 (2)
- NUT
82136-01-000 (2)
- SCREW
G67-10-08U (2)

- (42R) AMPLIFIER-TV
115540-01-000
- (20F) FASTENER-DUAL LOCK
85774-01-000
85774-02-000
(SEE DETAIL DA)

- INVERTER-130 WATT
99048-03-000
- FASTENER-DUAL LOCK
85774-01-000
85774-02-000

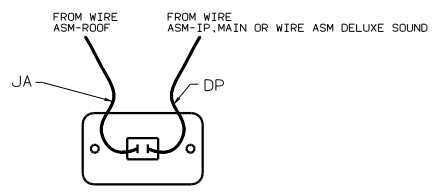
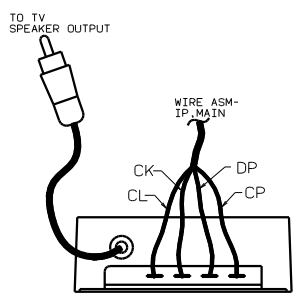
- PLATE-WALL ANTENNA
86784-03-CHT
(193)

- SWITCH
89308-01-CHT (2) (42R)
- PLATE-SWITCH
98351-16-CHT
- SCREW
G11-06-10J(2)
(SEE DETAIL DB)

- CONTROL CENTER-SWITCHING
86757-04-000
- SCREW
G39-10-10B(2)
- TAP-FOAM

- VCR-VHS
126697-03-000
- FASTENER-DUAL LOCK
85774-01-000
85774-02-000

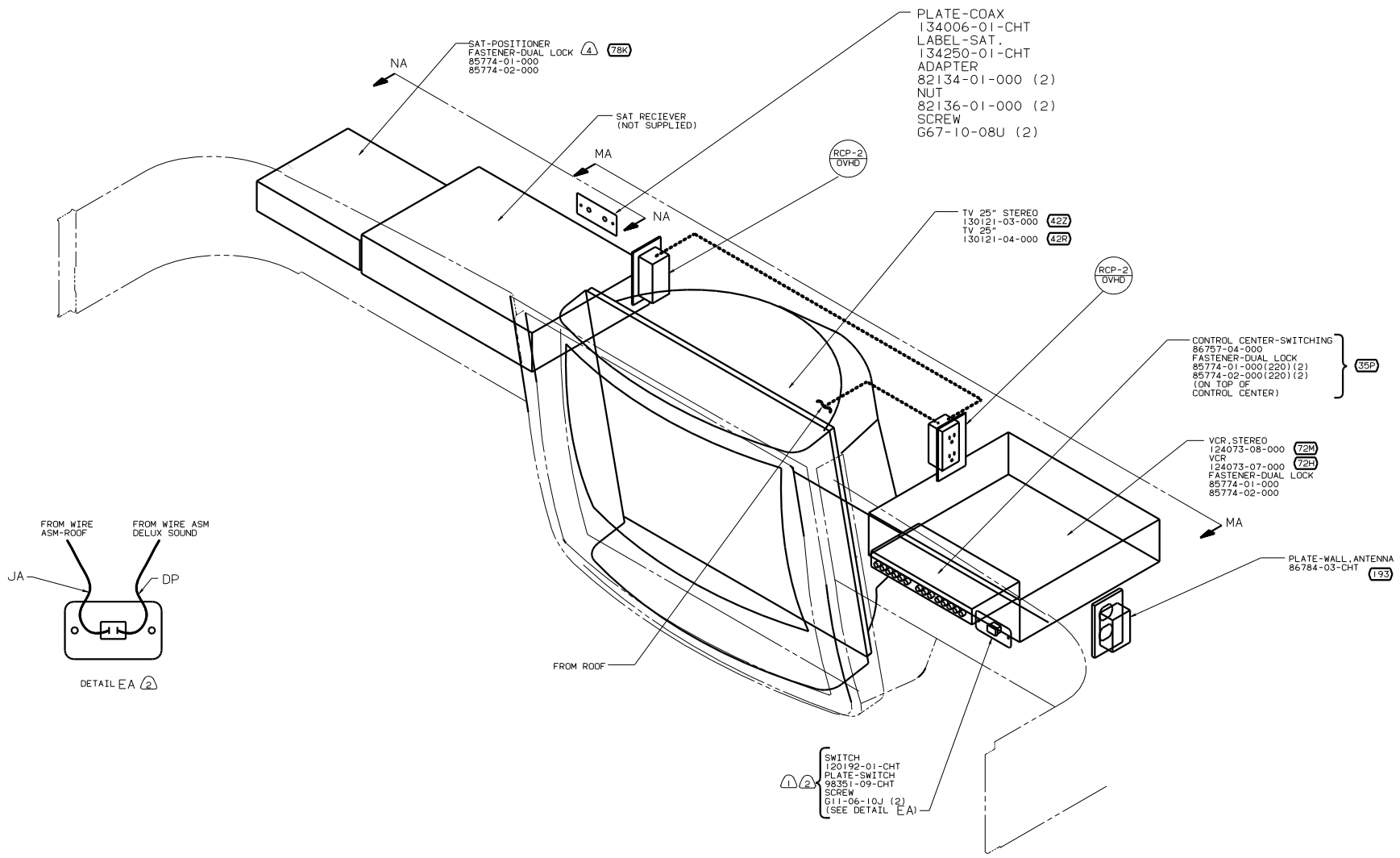
- TV-25" COLOR
133377-01-000 (42R)



- (20F) DELUXE SOUND SYSTEM-WITHOUT VCR
- (42R) TV-25" COLOR
- (40F) INVERTER-DC/AC-130W
- (35P) VIDEO SELECTION SYSTEM
- (21V) SOUND SYSTEM DELUXE
- (193) TV ANTENNA

- (4) SLIT AS NEEDED TO RUN WIRES.
- 3. WHERE WIRES PASS THROUGH HOLES IN STEEL AND ARE NOT OTHERWISE PROTECTED. USE GROMMET 92908-02-000.
- (2) REMOVE VINYL FROM CUTOOUT AT INSTALLATION.
- (1) NOT USED WITH (21V) SOUND SYSTEM-DLX.

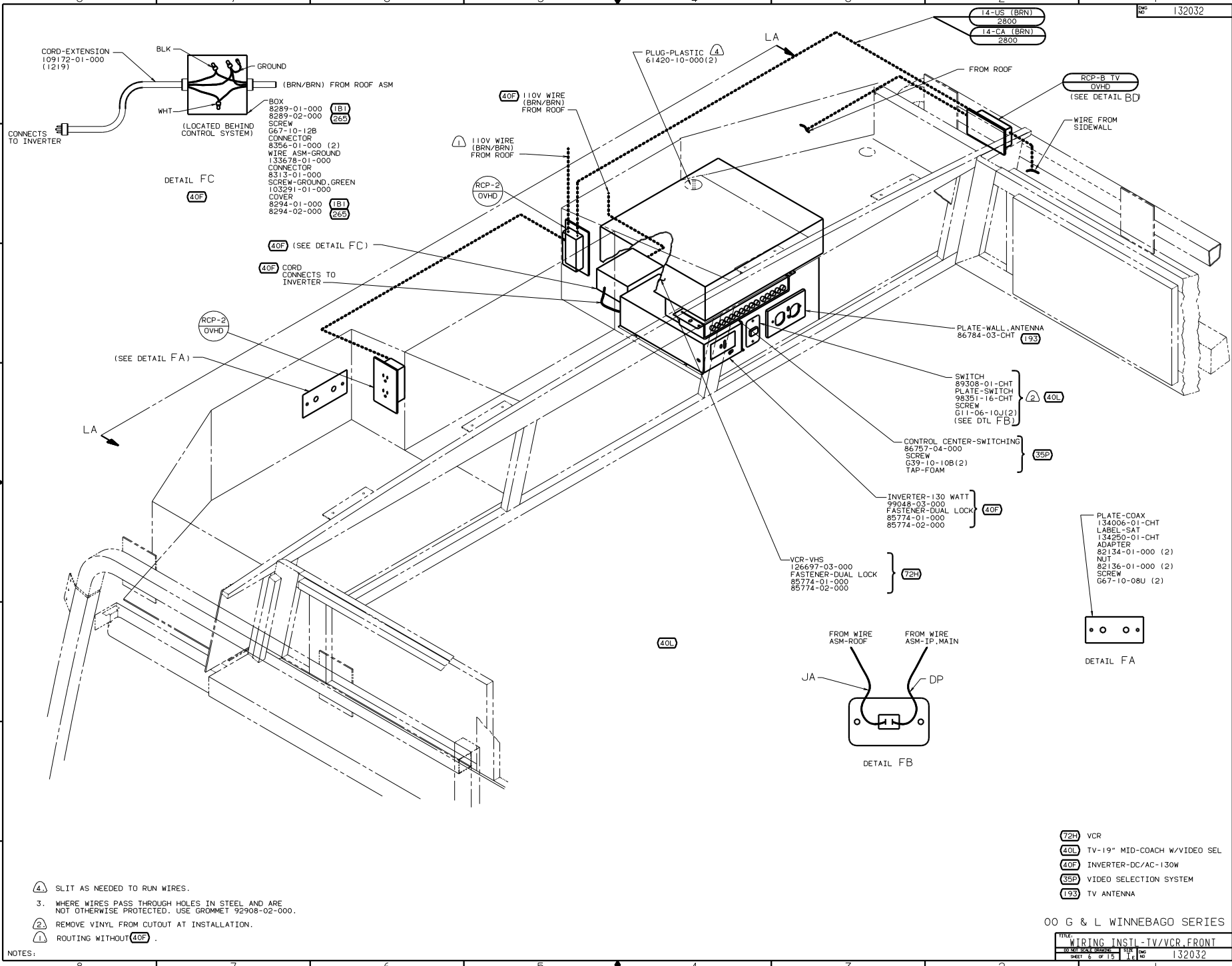
00 P-SERIES



- (78K) SATELLITE DISH-AUTOMATIC
- (72M) VCR-STEREO
- (72H) VCR
- (422) TV-25" COLOR STEREO
- (42R) TV-25" COLOR
- (35P) VIDEO SELECTION SYSTEM
- (193) TV ANTENNA

(1) SEE WIRING INSTL-BODY FOR ADDITIONAL INFORMATION.
 3. WHERE WIRES PASS THROUGH HOLES IN STEEL AND ARE NOT OTHERWISE PROTECTED, USE GROMMET 92908-02-000.
 (2) NOT USED WITH 38KD AND 40JD.
 (1) REMOVE VINYL FROM CUTOUT AT INSTALLATION.

FOR ELECTRICAL CALLOUTS SEE DWG NO. 121339-01-000



CORD-EXTENSION
109172-01-000
(1219)

BLK
WHT
(LOCATED BEHIND CONTROL SYSTEM)

GROUND
(BRN/BRN) FROM ROOF ASM

BOX
8289-01-000
8289-02-000
SCREW
667-10-12B
CONNECTOR
8356-01-000 (2)
WIRE ASM-GROUND
133678-01-000
CONNECTOR
8313-01-000
SCREW-GROUND, GREEN
103291-01-000
COVER
8294-01-000
8294-02-000

(1B1)
(265)

DETAIL FC
(40F)

PLUG-PLASTIC
61420-10-000(2)

LA

110V WIRE (BRN/BRN) FROM ROOF

110V WIRE (BRN/BRN) FROM ROOF

RCP-2 OVHD

14-US (BRN) 2800
14-CA (BRN) 2800

RCP-B TV OVHD
(SEE DETAIL BD)

WIRE FROM SIDEWALL

(40F) (SEE DETAIL FC)

(40F) CORD CONNECTS TO INVERTER

RCP-2 OVHD

(SEE DETAIL FA)

PLATE-WALL ANTENNA
86784-03-CHT
(193)

SWITCH
89308-01-CHT
PLATE-SWITCH
98351-16-CHT
SCREW
G11-06-10J(2)
(SEE DTL FB)

(2) (40L)

CONTROL CENTER-SWITCHING
86757-04-000
SCREW
G39-10-10B(2)
TAP-FOAM

(35P)

INVERTER-130 WATT
99048-03-000
FASTENER-DUAL LOCK
85774-01-000
85774-02-000

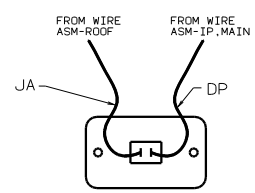
(40F)

VCR-VHS
126697-03-000
FASTENER-DUAL LOCK
85774-01-000
85774-02-000

(72H)

PLATE-COAX
134006-01-CHT
LABEL-SAT
134250-01-CHT
ADAPTER
82134-01-000 (2)
NUT
82136-01-000 (2)
SCREW
667-10-08U (2)

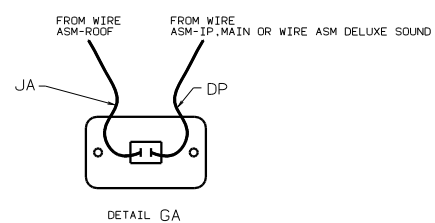
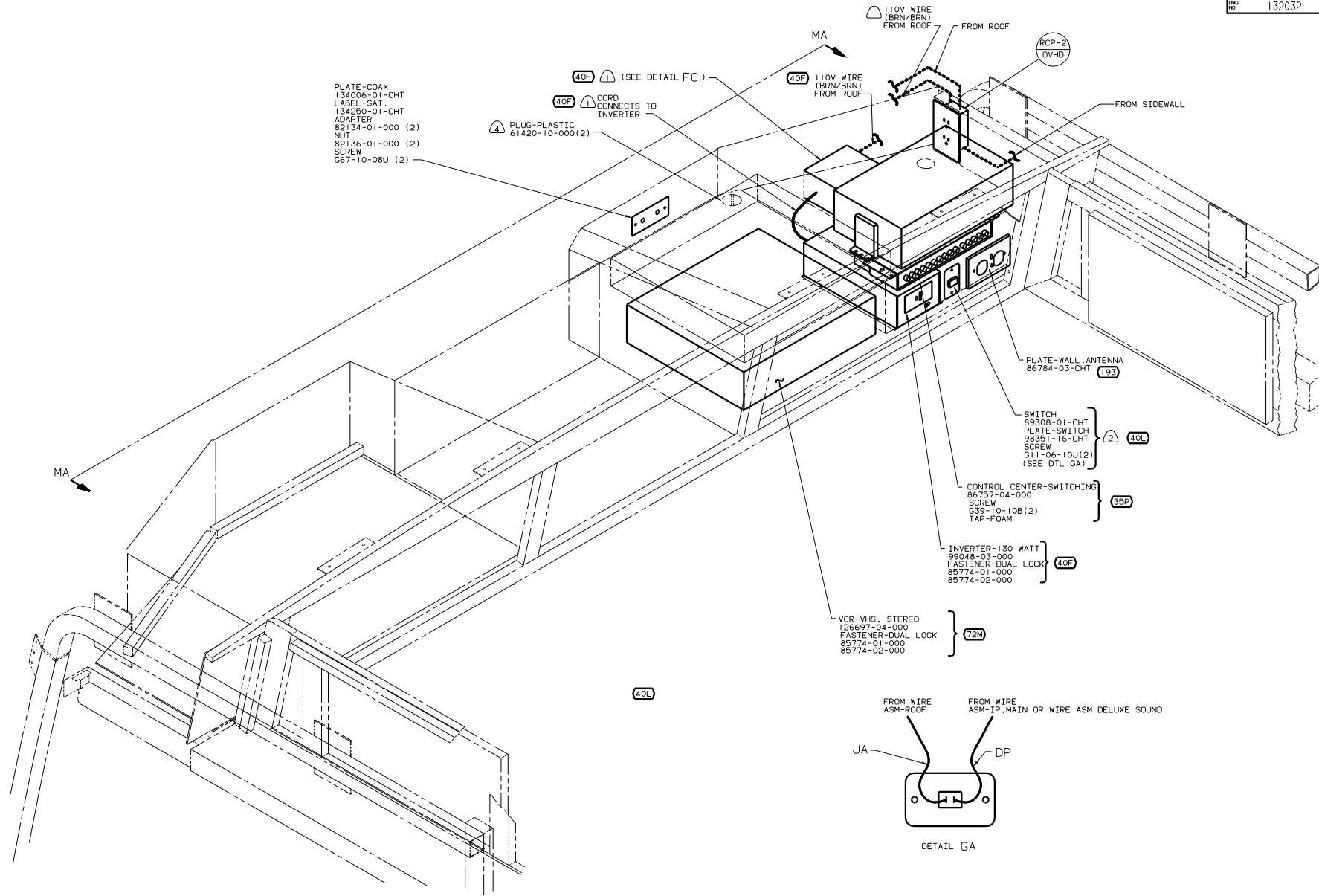
DETAIL FA



- NOTES:
- ④ SLIT AS NEEDED TO RUN WIRES.
 - ③ WHERE WIRES PASS THROUGH HOLES IN STEEL AND ARE NOT OTHERWISE PROTECTED, USE GROMMET 92908-02-000.
 - ② REMOVE VINYL FROM CUTOUT AT INSTALLATION.
 - ① ROUTING WITHOUT (40F).

- (72H) VCR
- (40L) TV-19" MID-COACH W/VIDEO SEL
- (40F) INVERTER-DC/AC-130W
- (35P) VIDEO SELECTION SYSTEM
- (193) TV ANTENNA

00 G & L WINNEBAGO SERIES



- PLATE-COAX 134006-01-CHT
- LABEL-SAT. 134250-01-CHT
- ADAPTER 82134-01-000 (2)
- NUT 82136-01-000 (2)
- SCREW G67-10-08U (2)

4 PLUG-PLASTIC 61420-10-000(2)

40F (SEE DETAIL FC)
 40F CORD CONNECTS TO INVERTER

40F 110V WIRE (BRN/BRN) FROM ROOF

PLATE-WALL, ANTENNA 86784-03-CHT (193)

SWITCH 89308-01-CHT
 PLATE-SWITCH 98351-16-CHT
 SCREW G11-06-10J(2) (SEE DTL GA) (40L)

CONTROL CENTER-SWITCHING 86757-04-000
 SCREW G39-10-10B(2)
 TAP-FOAM (35P)

INVERTER-130 WATT 99048-03-000
 FASTENER-DUAL LOCK 85774-01-000
 85774-02-000 (40F)

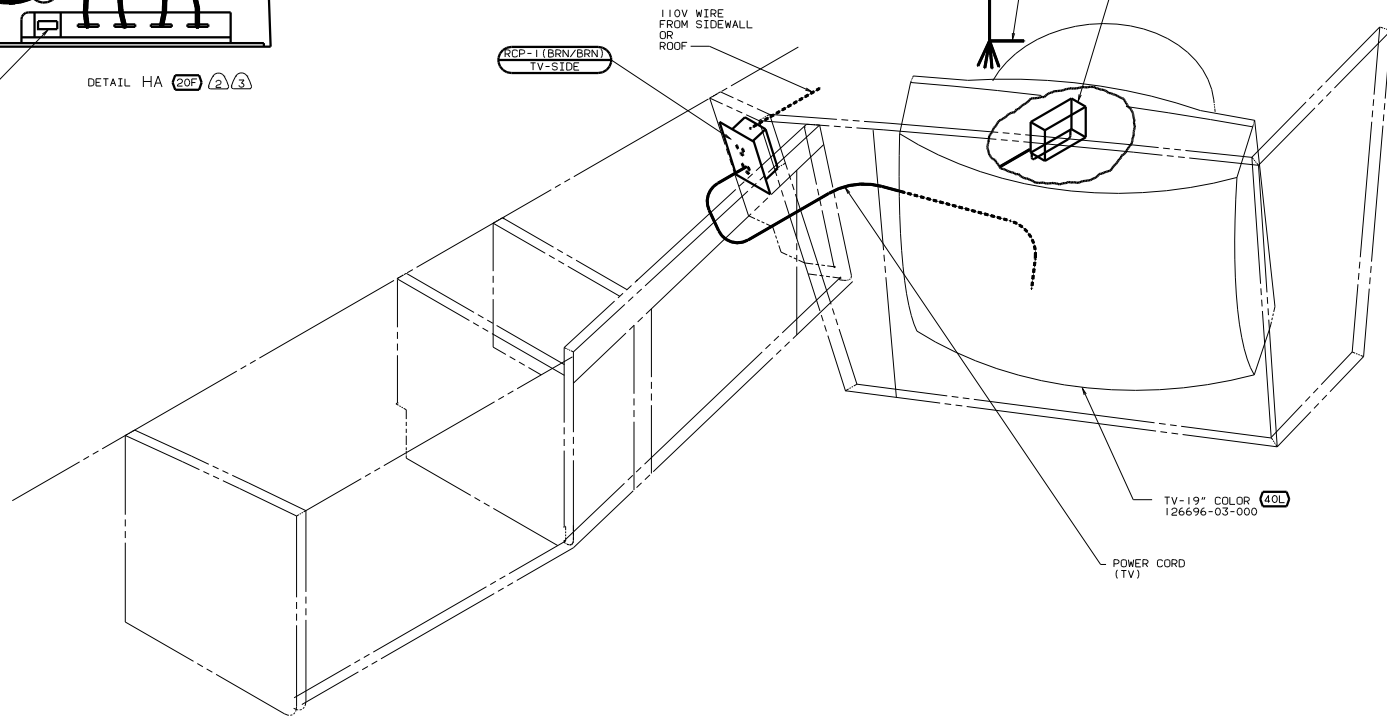
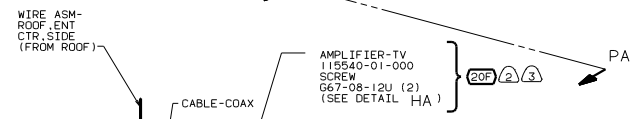
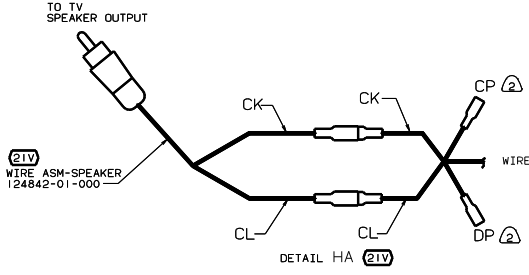
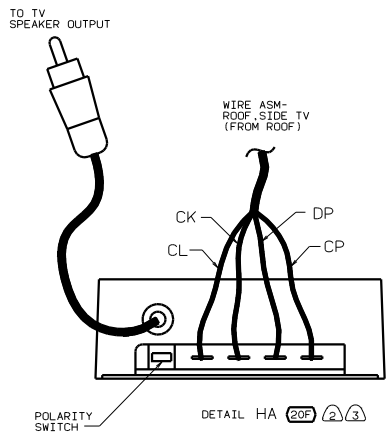
VCR-VHS, STEREO 126697-04-000
 FASTENER-DUAL LOCK 85774-01-000
 85774-02-000 (72M)

40L

- NOTES:
- SLIT AS NEEDED TO RUN WIRES.
 - WHERE WIRES PASS THROUGH HOLES IN STEEL AND ARE NOT OTHERWISE PROTECTED, USE GROMMET 92908-02-000.
 - REMOVE VINYL FROM CUTOUT AT INSTALLATION.
 - ROUTING WITHOUT (40F).

- (72M) VCR-STEREO
- (40L) TV-19" MID-COACH W/VIDEO SEL
- (40F) INVERTER-DC/AC-130W
- (35P) VIDEO SELECTION SYSTEM
- (193) TV ANTENNA

00 L ITASCA SERIES



40L

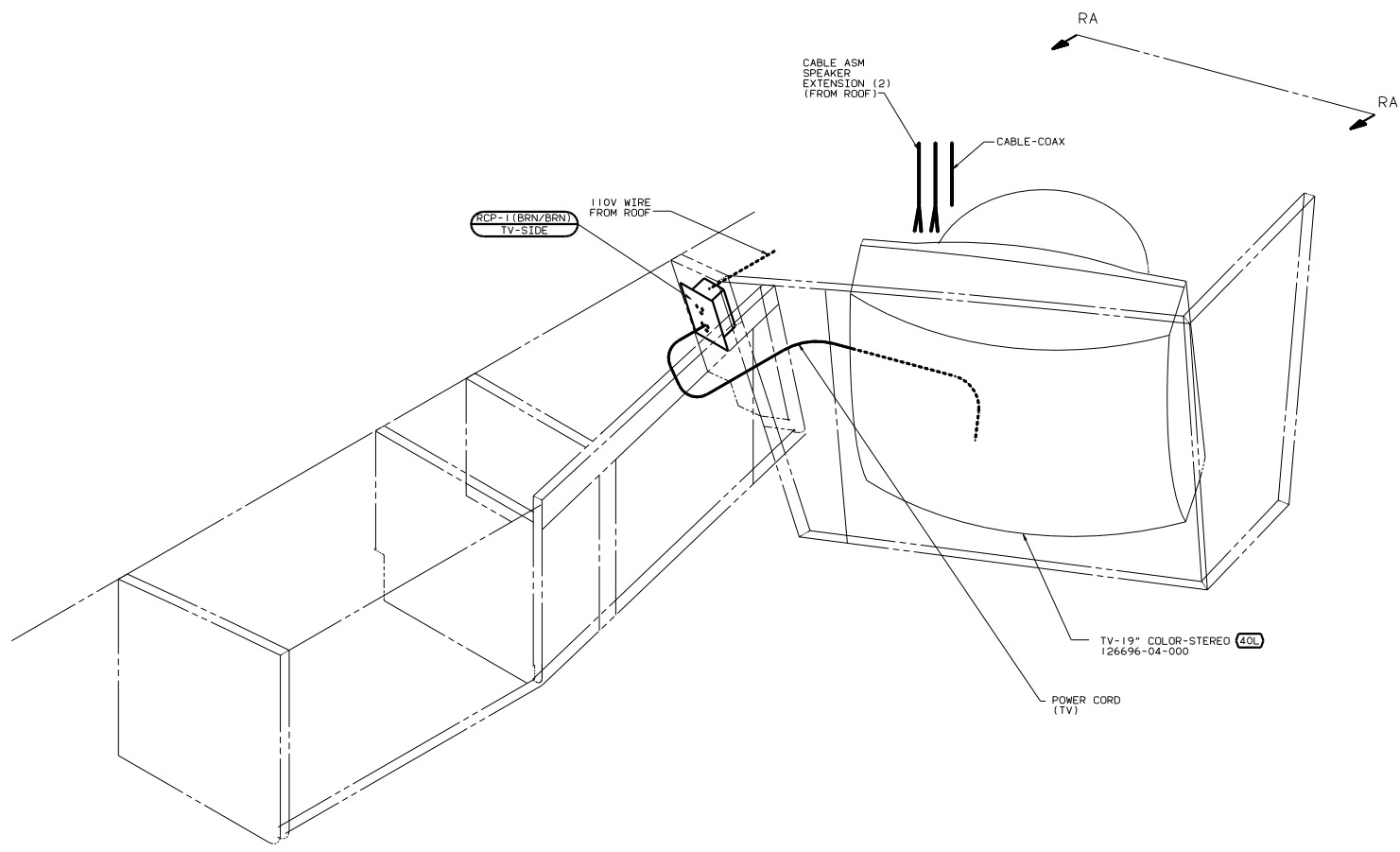
- NOTES:
- ③ NOT USED ON L-SERIES ITASCA.
 - ② NOT USED WITH 21V
 - ① SEE WIRING INSTL-BODY FOR ADDITIONAL INFORMATION.

- 40L TV-19" DINETTE SWITCHING SYS
- 21V SOUND SYSTEM-DELUXE
- 20F DELUXE SOUND SYSTEM W/O

00 L-SERIES 00 G-SERIES

FOR ELECTRICAL CALLOUTS SEE DWG NO. 121339-01-000

TITLE: WIRING INSTL-TV/VCR SIDE
 SHEET 8 OF 15
 132032



40L

TV-19" COLOR-STEREO 40L
126696-04-000

POWER CORD
(TV)

SCP-1 (BRN/BRN)
TV-SIDE

110V WIRE
FROM ROOF

CABLE ASM
SPEAKER
EXTENSION (2)
(FROM ROOF)

CABLE-COAX

RA

RA

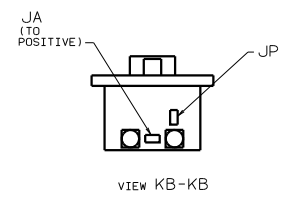
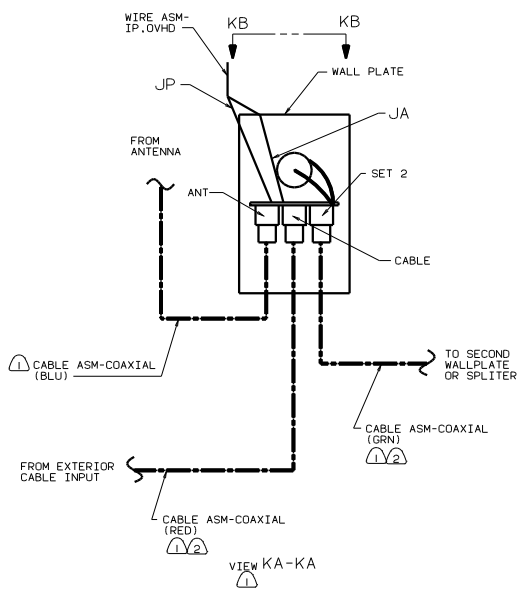
- NOTES:
- ③ NOT USED ON L-SERIES ITASCA.
 - ② NOT USED WITH 2TV
 - ① SEE WIRING INSTL-BODY FOR ADDITIONAL INFORMATION.

40L TV-19" DINETTE SWITCHING SYS
 2TV SOUND SYSTEM-DELUXE

00 L-SERIES ITASCA

FOR ELECTRICAL CALLOUTS
 SEE DWG NO.
 121339-01-000

TITLE	WIRING INSTL-TV/VCR SIDE
NO. OF SHEETS	15
SHEET NO.	9
DWG NO.	132032



NOTES:

(2) NOT USED ON SHELL.

(1) CABLE ASM MARKED WITH COLORED TAPE AS INDICATED.

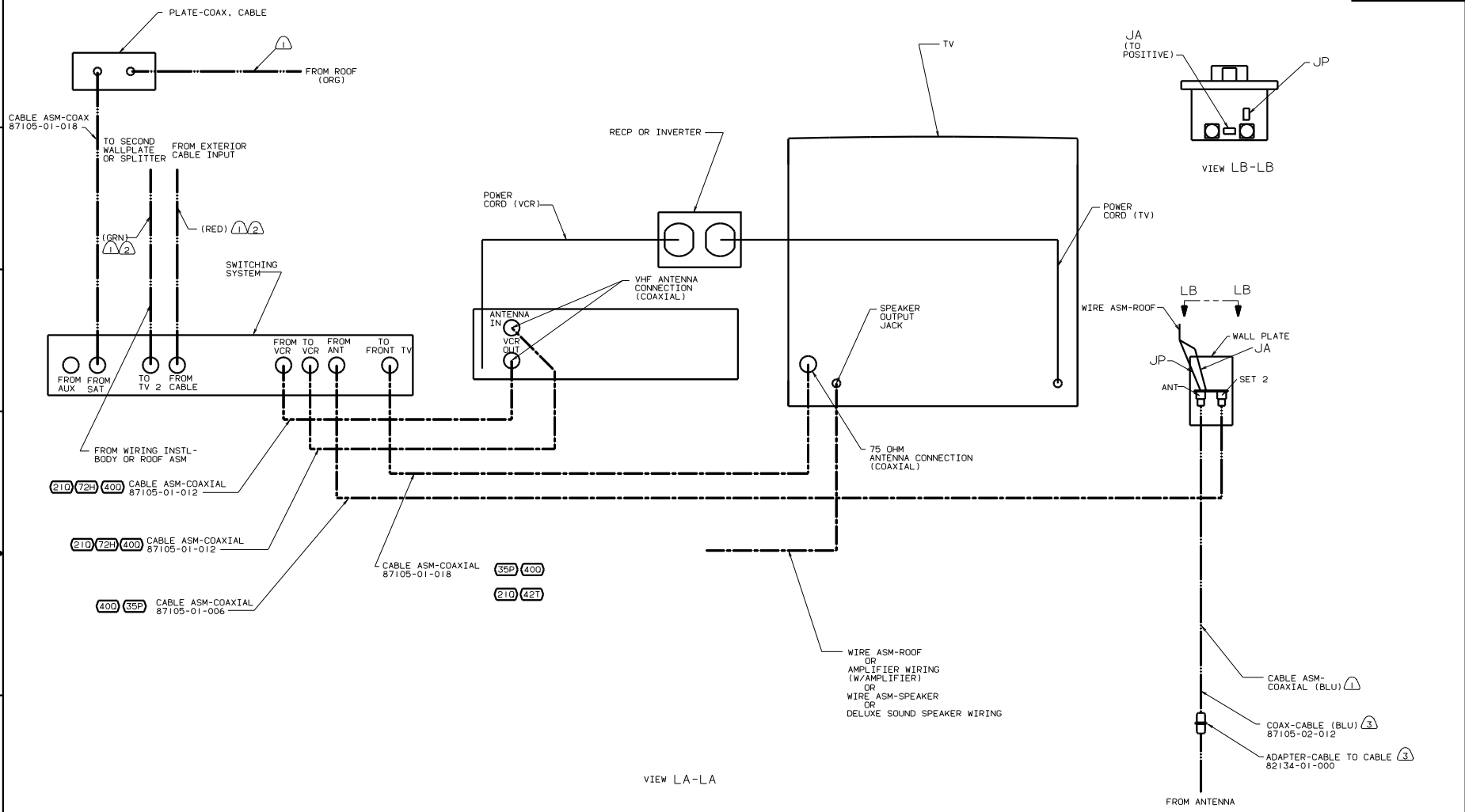
(X-X)

FOR ELECTRICAL CALLOUTS SEE DWG NO. 121339-01-000

193 TV ANTENNA

00 F-SERIES

FILE NO.	121339-01-000	REV.	1
TITLE	WIRING INSTL-TV/VCR FRONT		
SHEET NO.	10	OF 15	132032

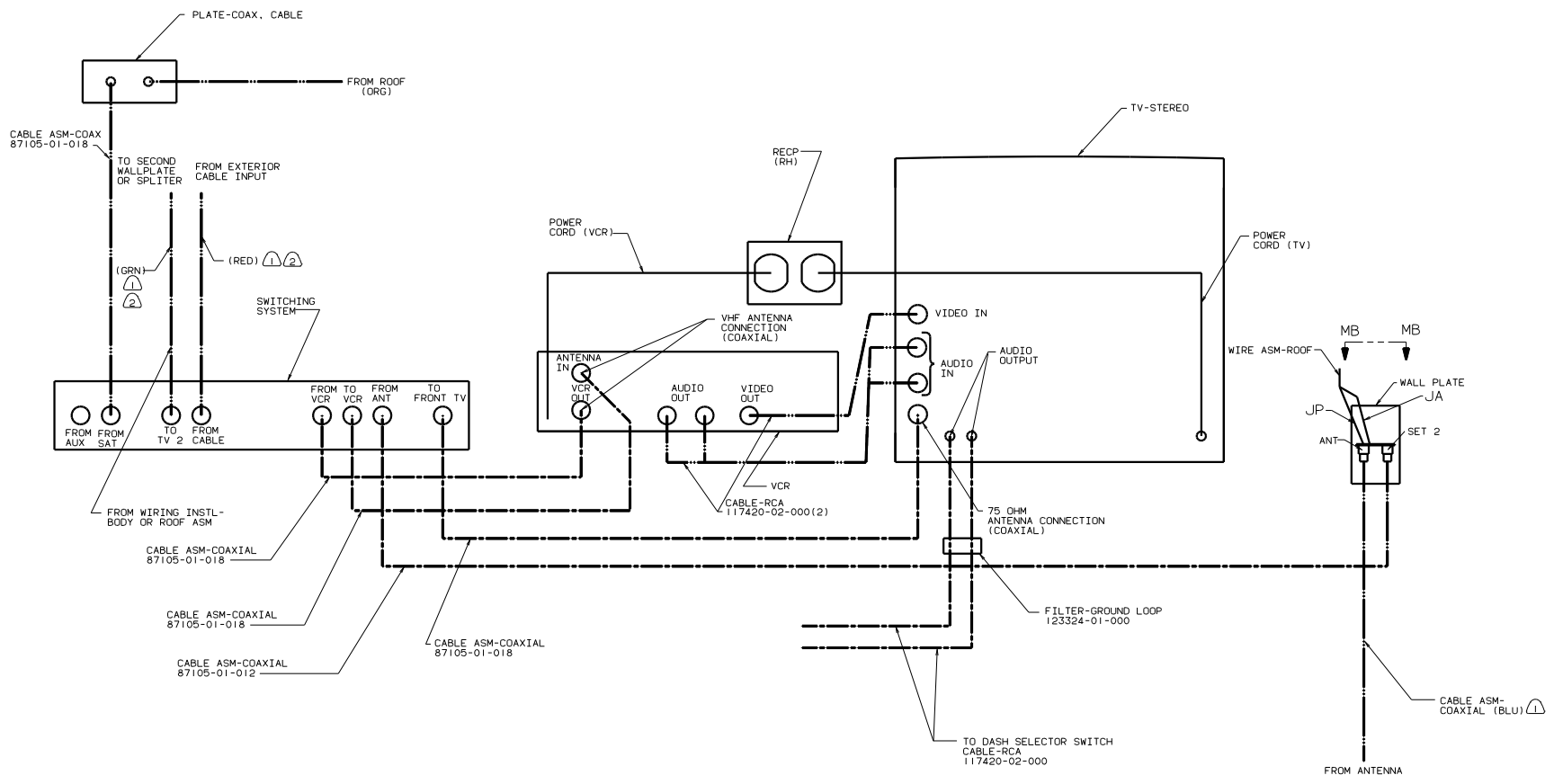
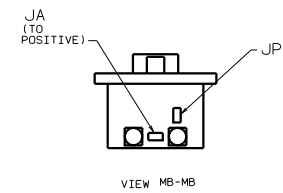


- ③ USE WITH SHELL ONLY.
- ② NOT USED ON SHELL.
- ① CABLE ASM MARKED WITH COLORED TAPE.

- ④2T TV-19" FRONT W/VIDEO SEL
- ⑦2H VCR
- ④00 TV-19" VCR-INVERTER/ANTENNA
- ③5P VIDEO SELECTION SYSTEM
- ②10 TV-19" W/VCR/VIDEO SELECTION

ALL UNITS, EXCEPT
L-ITASCA, Q36, Q38 & Q40.

TITLE		132032	
WIRING INSTL-TV/VCR FRONT			
NO. OF SHEETS	TOTAL SHEETS	DATE	REV.
11	15		



VIEW MA-MA

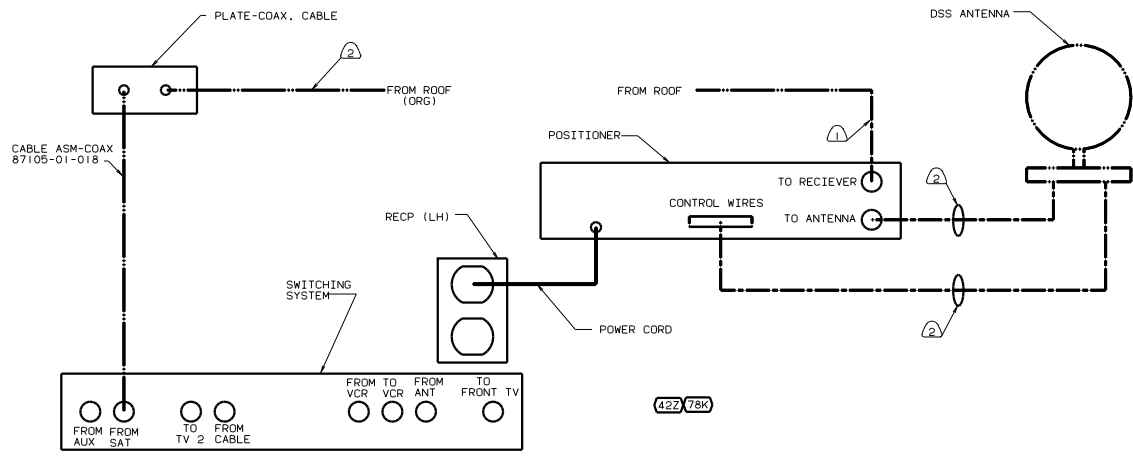
480 422 42M

- ③ CABLE ROUTED IN ROOF.
- ② SUPPLIED WITH AUTOMATIC SATELLITE ANTENNA.
- ① CABLE ASM MARKED WITH COLORED TAPE.

- 72M VCR-STEREO
- 480 SATELLITE DISH
- 422 TV-25" COLOR STEREO
- 42M TV-19" COLOR W/STEREO
- 35P VIDEO SELECTION SYSTEM

00 L-ITASCA,Q36, Q38 & Q40

TITLE		WIRING INSTL-TV/VCR FRONT	
NO	SCALE	REV	DATE
1		1	11/80
SHEET 12 OF 15		132032	



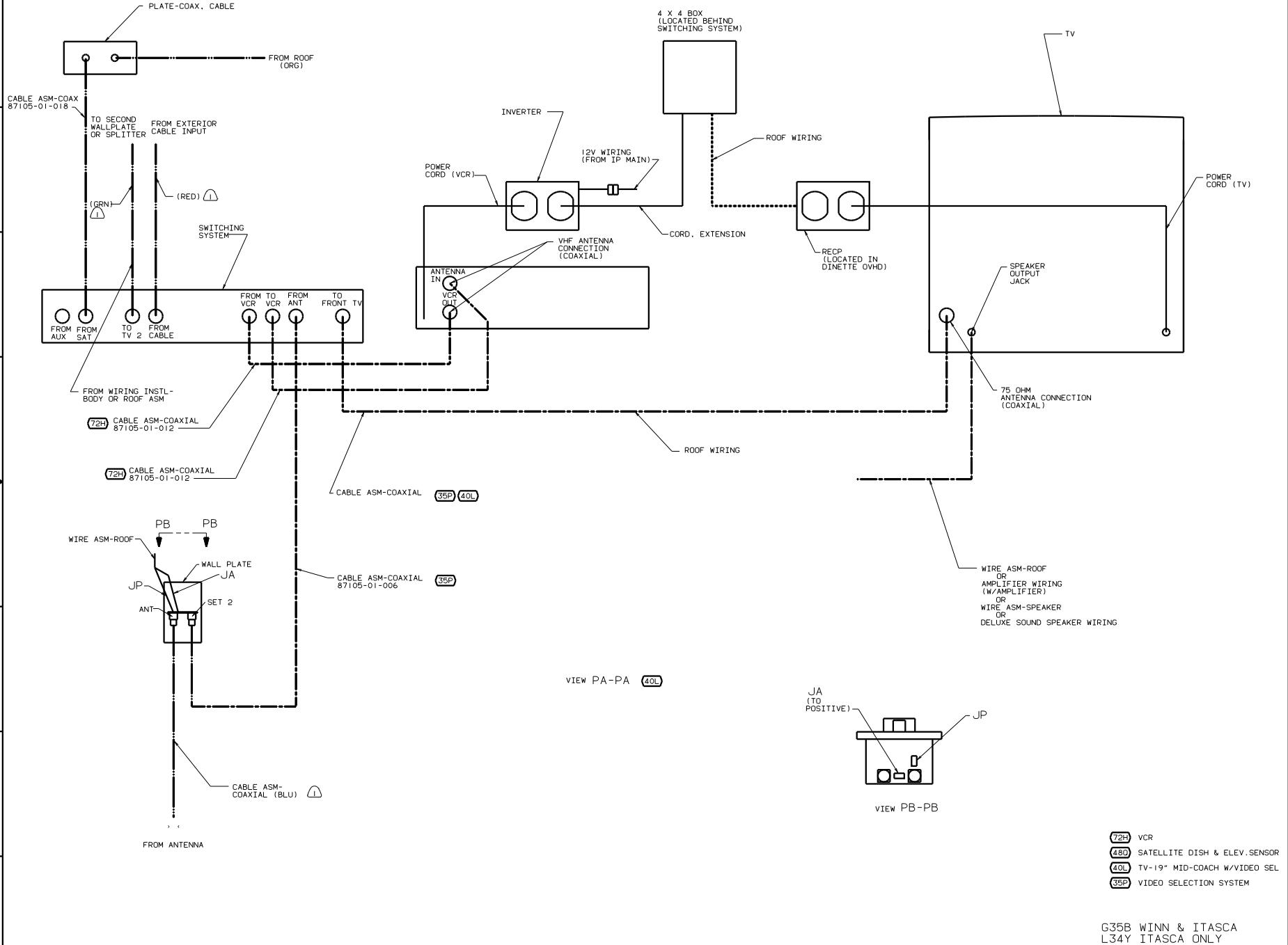
VIEW NA-NA

422 78K

- ② CABLE ROUTED IN ROOF.
- ① SUPPLIED WITH AUTOMATIC SATELLITE ANTENNA.

78K SATELLITE DISH-AUTOMATIC
 422 TV-25" COLOR STEREO
 00 Q-SERIES

TITLE		132032	
WIRING INSTL-TV/VCR FRONT		132032	
NO. OF SHEETS	SHEET NO.	TOT. SHEETS	TITLE NO.
15	13	15	132032

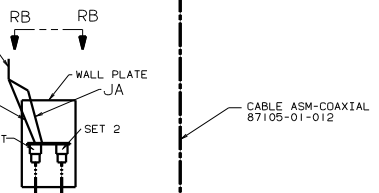
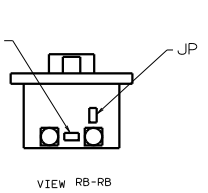
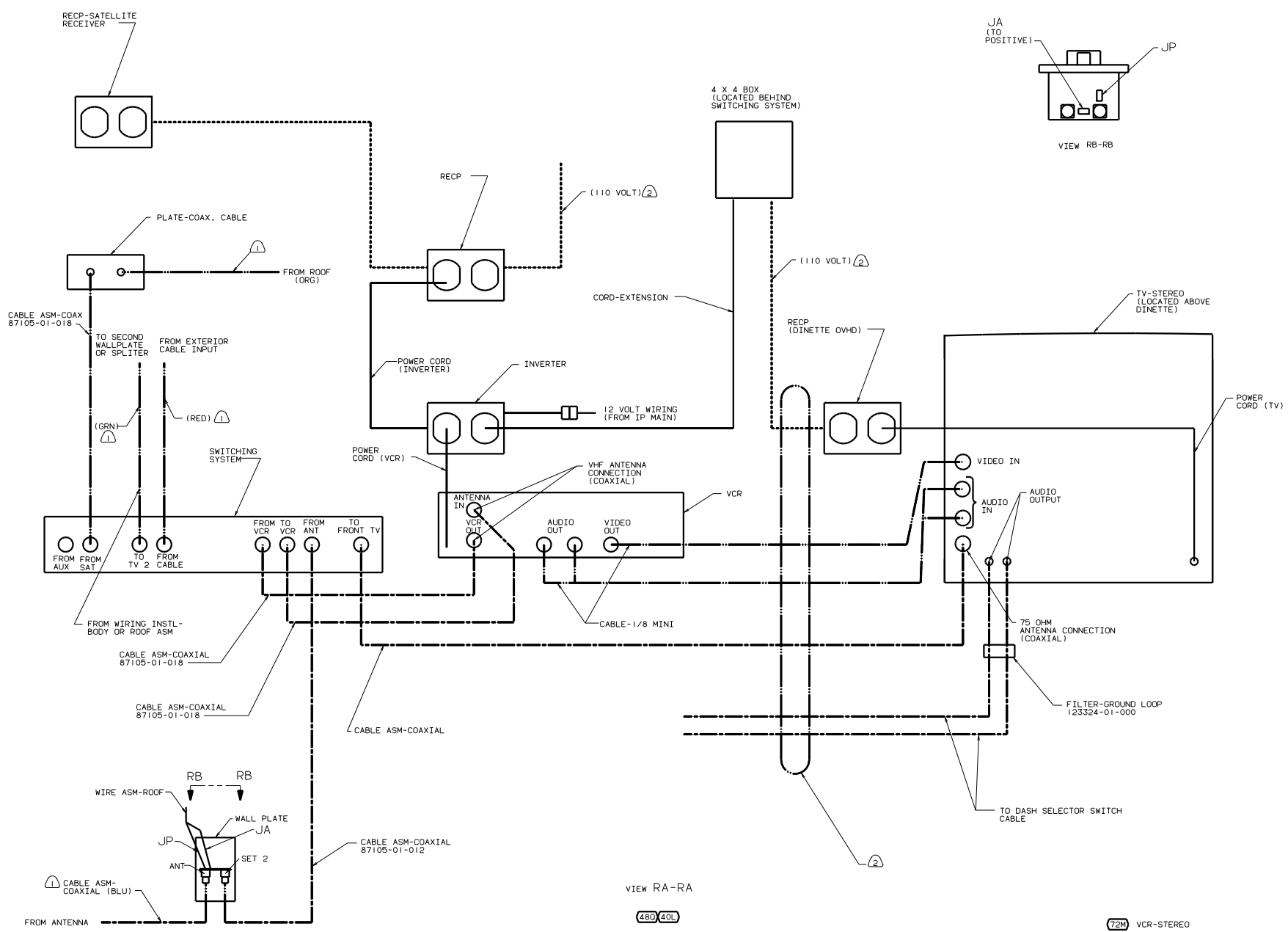


⚠ CABLE ASM MARKED WITH COLORED TAPE.

- 72H VCR
- 48D SATELLITE DISH & ELEV. SENSOR
- 40L TV-19" MID-COACH W/VIDEO SEL
- 35P VIDEO SELECTION SYSTEM

G35B WINN & ITASCA
L34Y ITASCA ONLY

TITLE		WIRING INSTL-TV/VCR FRONT	
NO	SCALE	REV	DATE
1		1	11/80
SHEET 14 OF 15		132032	



VIEW RA-RA

480 40L

- NOTES:
- ② WIRES ROUTED IN ROOF.
 - ① CABLE ASM MARKED WITH COLORED TAPE.

- 72M VCR-STEREO
- 480 SATELLITE DISH
- 40L TV-19" MID-COACH W/VIDEO SEL
- 35P VIDEO SELECTION SYSTEM

00 L-ITASCA, L34Y

TITLE		WIRING INSTL-TV/VCR FRONT	
NO	SCALE	REV	DATE
1		1	
SHEET 15 OF 15		132032	