



**DANGER**

**Danger of electrical shock, burns or death.** Always remove all power sources before attempting any repair, service or diagnostic work. Power can be present from shore power, generator, inverter or battery. All power sources must be disabled and secured before performing any service.

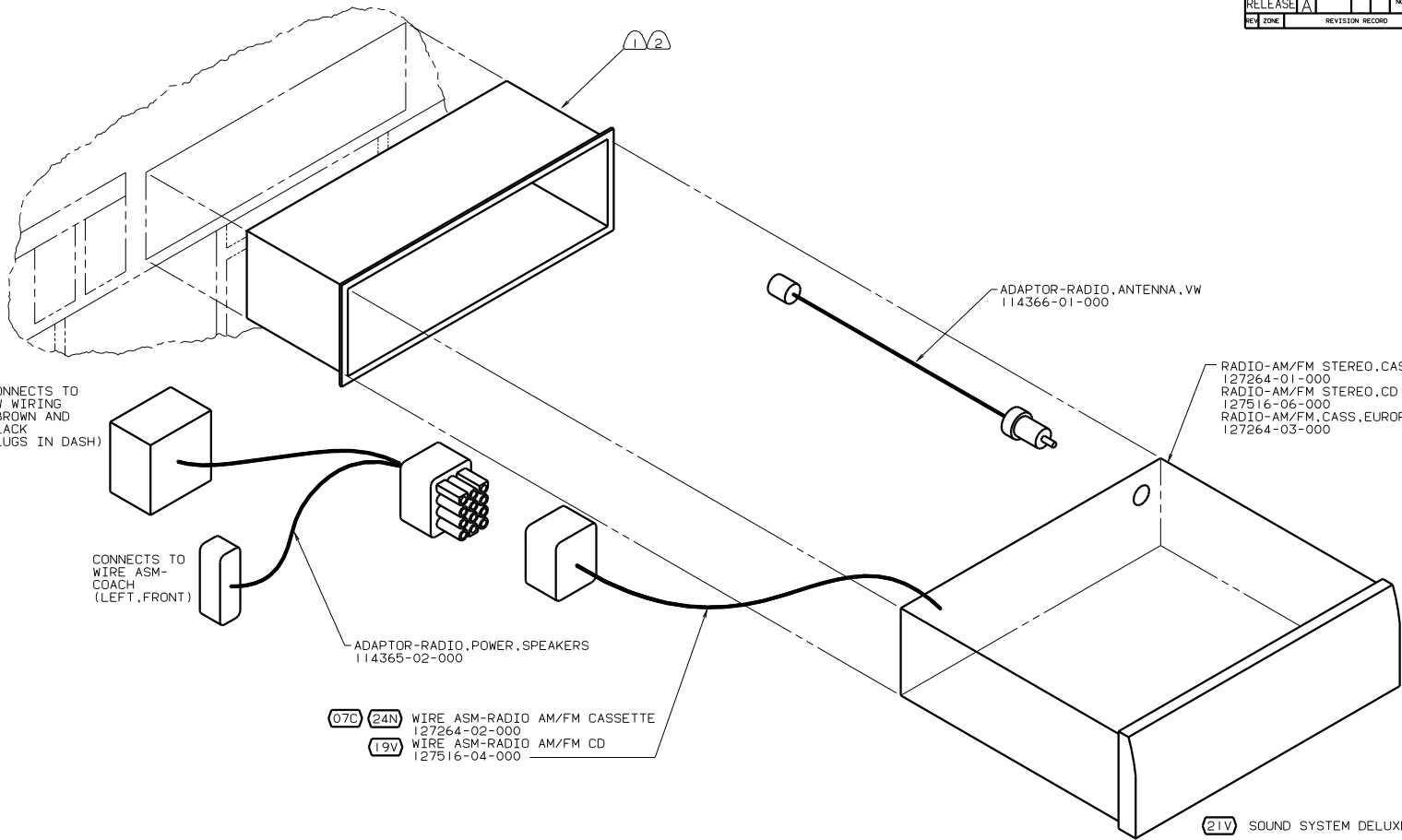


**CAUTION**

If you lack the skills, tools or equipment to perform diagnostic or repair work leave such work to an authorized Winnebago Industries dealer or other qualified shop.

DWG NO	SHT
132031-01	1
132031-02	2
132031-03	3
132031-04	4
132031-05	5
132031-06	6

RELEASE	REV	DATE	OF TR	ADM	DWG NO	132031
REV	ZONE	REVISION RECORD			DATE	DTIS-ORIG



CONNECTS TO VW WIRING (BROWN AND BLACK PLUGS IN DASH)

CONNECTS TO WIRE ASM-COACH (LEFT, FRONT)

ADAPTOR-RADIO, POWER, SPEAKERS  
114365-02-000

ADAPTOR-RADIO, ANTENNA, VW  
114366-01-000

RADIO-AM/FM STEREO, CASS DIN (24N)  
127264-01-000  
RADIO-AM/FM STEREO, CD PLAYER (19V)  
127516-06-000  
RADIO-AM/FM, CASS, EUROPEAN (07C)  
127264-03-000

(07C) (24N) WIRE ASM-RADIO AM/FM CASSETTE  
127264-02-000  
(19V) WIRE ASM-RADIO AM/FM CD  
127516-04-000

(21V) SOUND SYSTEM DELUXE  
(24N) RADIO-AM/FM/CASSETTE  
(19V) RADIO-AM/FM STEREO CD PLAYER  
(07C) EUROPEAN RADIO EXCHANGE

H-BODY & B-VAN

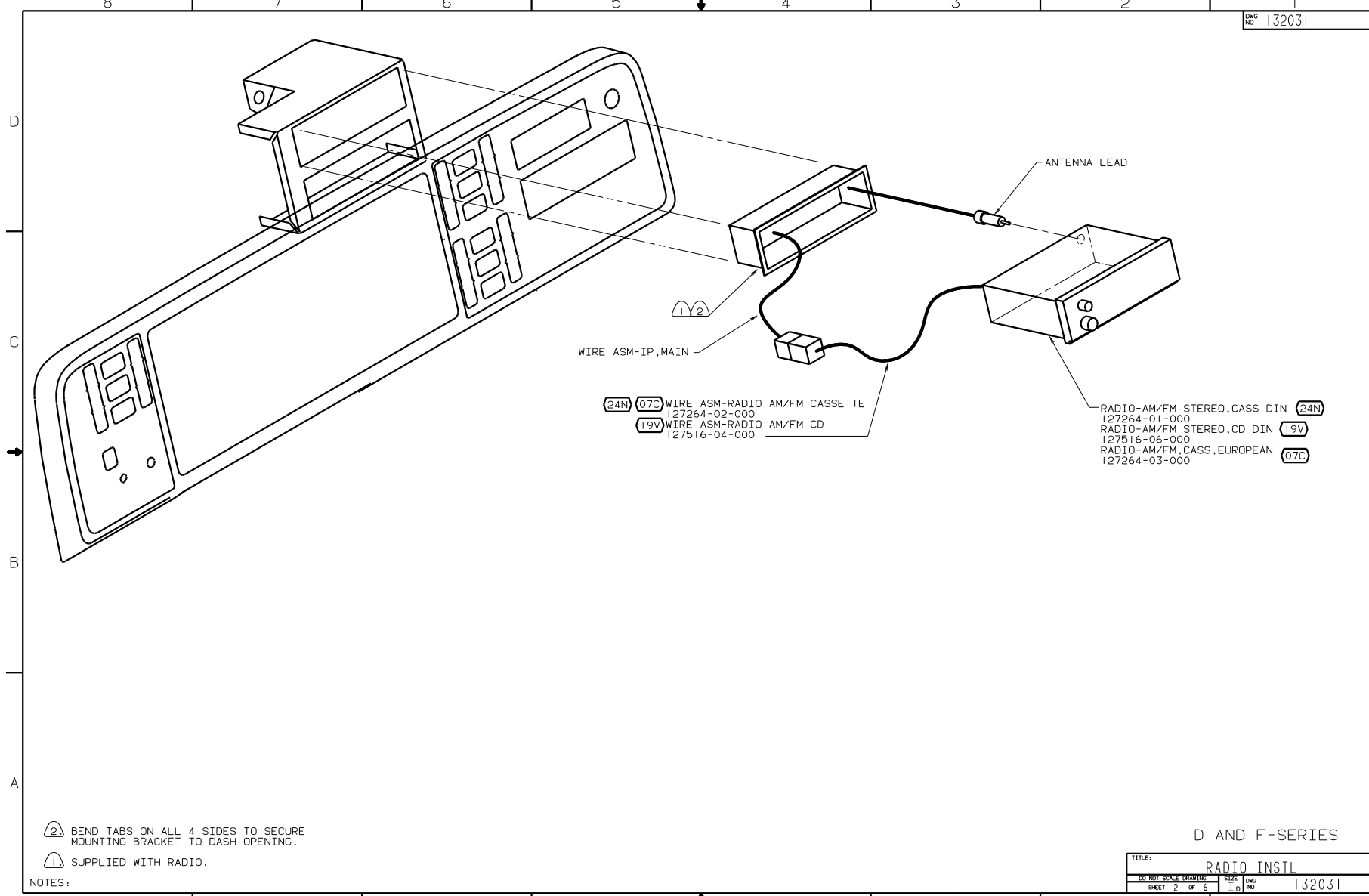
(2) BEND TABS ON ALL 4 SIDES TO SECURE MOUNTING BRACKET TO DASH OPENING.

(1) SUPPLIED WITH RADIO.

NOTES:

<b>WINNEBAGO</b>		00 MOTORHOMES	
DATE	DATE	UNSPECIFIED TOLERANCES ARE:	MATERIAL
CHR	DATE	WHOLE DIM (X, Y, Z)	
P E	DATE	ONE-PLACE (X, XX)	
M E	DATE	TWO-PLACE (X, XX)	
DSNR	DATE	ANGLE	
	DATE	THIRD ANGLE PROJECTION	
LAYOUT NO.	G-GEN	TITLE:	RADIO INSTL
DIA #	SCALE: NONE	TO ADJ. SCALE (DIMENSIONS)	SIZE
ALL DIMENSIONS ARE IN MILLIMETERS		SHEET 1 OF 6	DWG NO 132031

2 REF 128131-C



WIRE ASM-IP.MAIN

ANTENNA LEAD

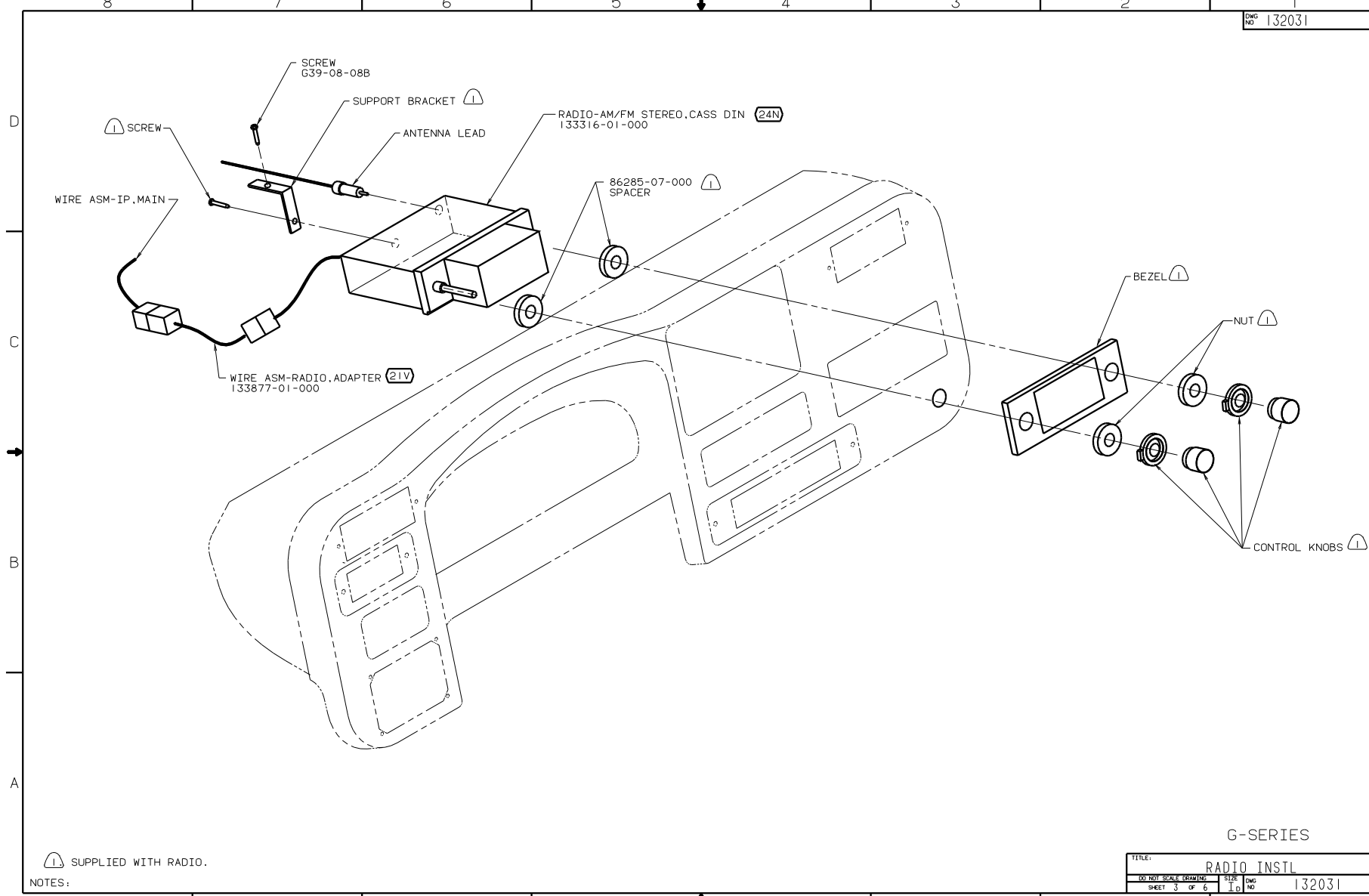
(24N) (07C) WIRE ASM-RADIO AM/FM CASSETTE  
127264-02-000  
(19V) WIRE ASM-RADIO AM/FM CD  
127516-04-000

RADIO-AM/FM STEREO, CASS DIN (24N)  
127264-01-000  
RADIO-AM/FM STEREO, CD DIN (19V)  
127516-06-000  
RADIO-AM/FM, CASS, EUROPEAN (07C)  
127264-03-000

- NOTES:
- (2) BEND TABS ON ALL 4 SIDES TO SECURE MOUNTING BRACKET TO DASH OPENING.
  - (1) SUPPLIED WITH RADIO.

D AND F-SERIES

TITLE:		RADIO INSTL	
DO NOT SCALE DRAWING	SHEET 2 OF 6	DWG NO	132031



⚠ SUPPLIED WITH RADIO.

NOTES:

G-SERIES

TITLE:		RADIO INSTL	
DO NOT SCALE DIMENSIONS	SCALE	DWG NO	132031
SHEET 3	OF 6		

D  
C  
B  
A

8

7

6

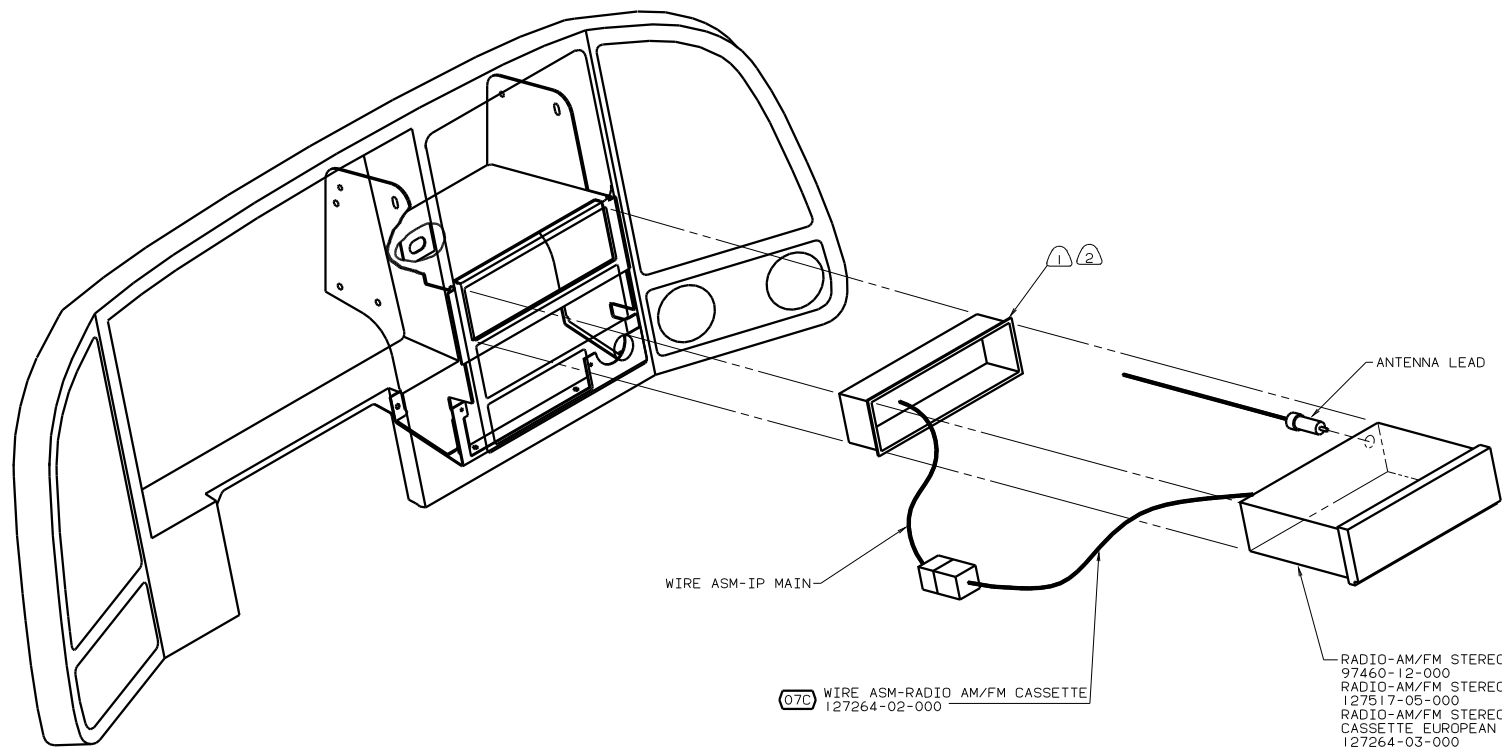
5

4

3

2

1



WIRE ASM-IP MAIN

ANTENNA LEAD

07C WIRE ASM-RADIO AM/FM CASSETTE  
127264-02-000

RADIO-AM/FM STEREO CASSETTE 24N  
 97460-12-000  
 RADIO-AM/FM STEREO CD PLAYER 19V  
 127517-05-000  
 RADIO-AM/FM STEREO CASSETTE EUROPEAN 07C  
 127264-03-000

- NOTES:
- 2 BEND TABS ON ALL 4 SIDES TO SECURE MOUNTING BRACKET TO DASH OPENING.
  - 1 SUPPLIED WITH RADIO.

L SERIES

TITLE: RADIO INSTL	
DO NOT SCALE DIMENSIONS	SIZE: DWG NO 132031
SHEET 4 OF 6	10

8

7

6

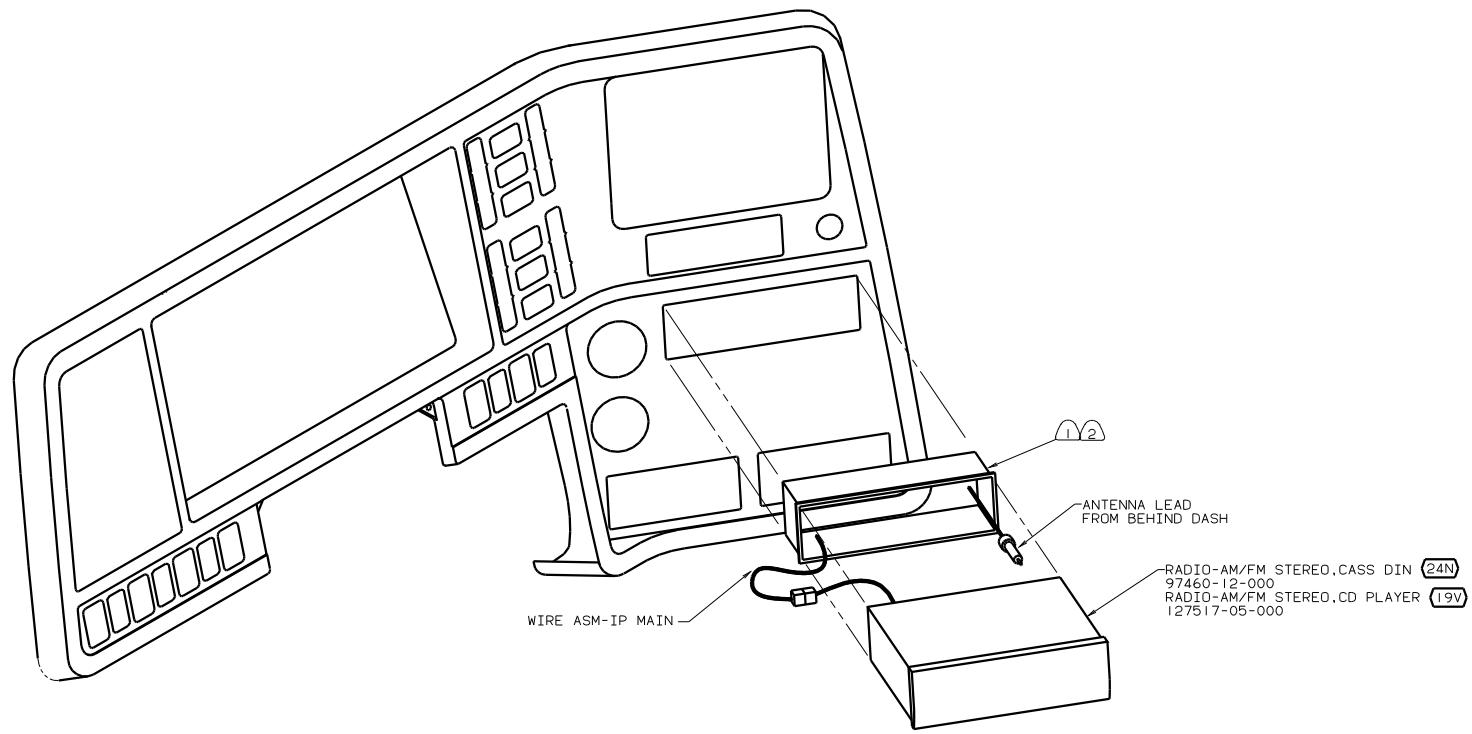
5

4

3

2

1



WIRE ASM-IP MAIN

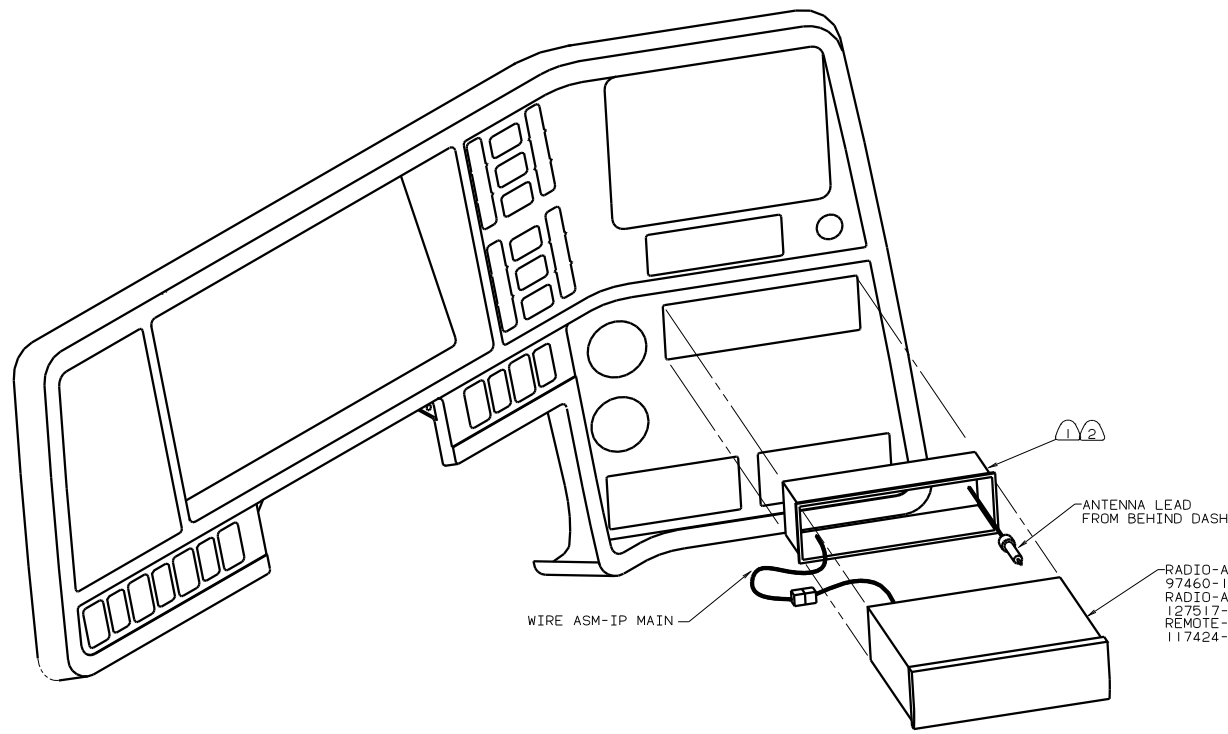
ANTENNA LEAD FROM BEHIND DASH

RADIO-AM/FM STEREO, CASS DIN (24N)  
 97460-12-000  
 RADIO-AM/FM STEREO, CD PLAYER (19V)  
 127517-05-000

- NOTES:
- ② BEND TABS ON ALL 4 SIDES TO SECURE MOUNTING BRACKET TO DASH OPENING.
  - ① SUPPLIED WITH RADIO.

P & Q SERIES  
 EXCEPT 38KD & 40JD

TITLE:		RADIO INSTL	
DO NOT SCALE DIMENSIONS	SHEET 5 OF 6	DWG NO	132031



WIRE ASM-IP MAIN

ANTENNA LEAD FROM BEHIND DASH

RADIO-AM/FM STEREO, CASS DIN (24N)  
 97460-13-000  
 RADIO-AM/FM STEREO, CD PLAYER (19V)  
 127517-04-000  
 REMOTE-RADIO  
 117424-03-000

- NOTES:
- ② BEND TABS ON ALL 4 SIDES TO SECURE MOUNTING BRACKET TO DASH OPENING.
  - ① SUPPLIED WITH RADIO.

Q-SERIES  
 HIGHLINE  
 38KD & 40JD

TITLE:		RADIO INSTL	
DO NOT SCALE DIMENSIONS	SHEET 6 OF 6	DWG NO	132031