



**DANGER**

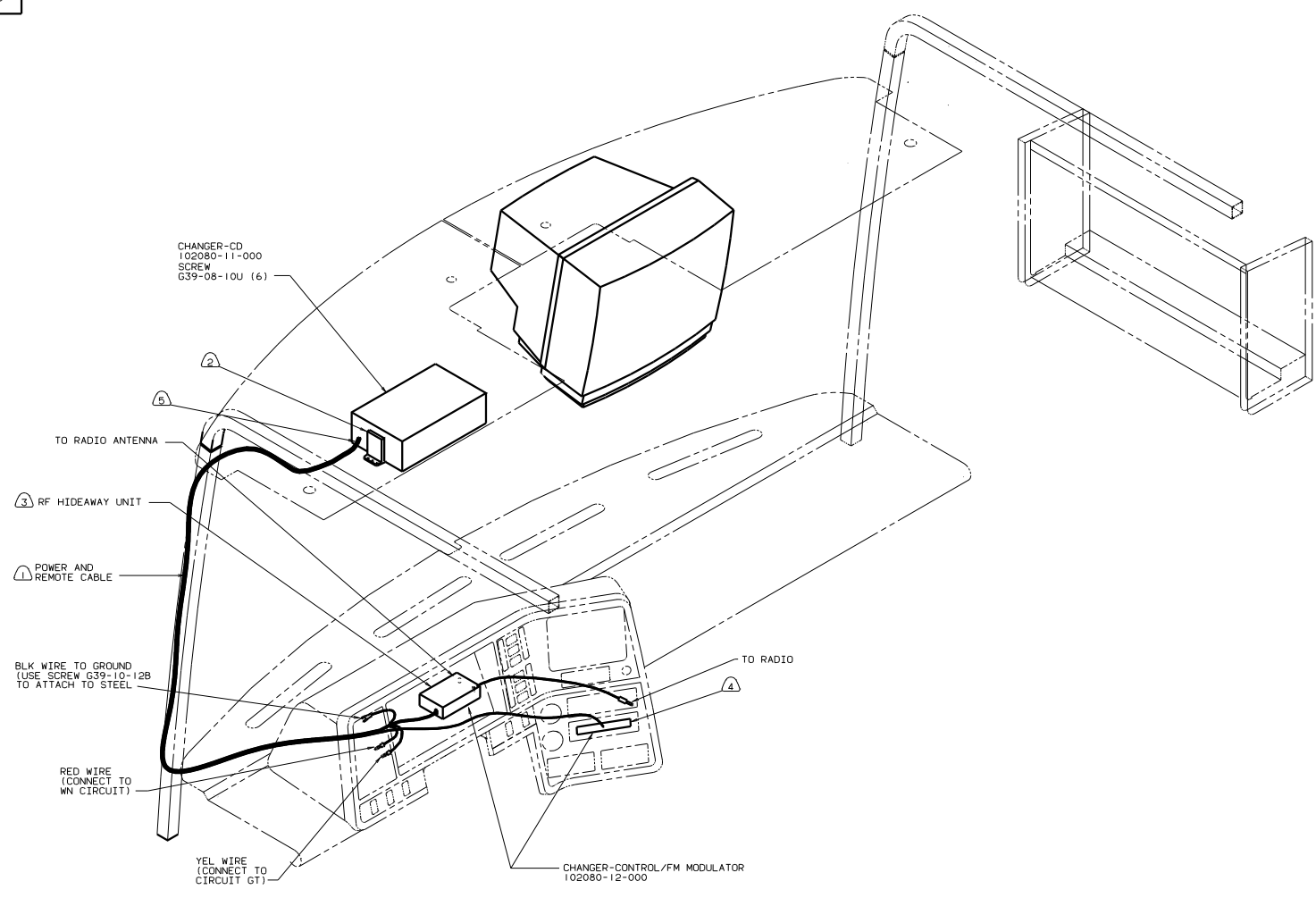
**Danger of electrical shock, burns or death.** Always remove all power sources before attempting any repair, service or diagnostic work. Power can be present from shore power, generator, inverter or battery. All power sources must be disabled and secured before performing any service.



**CAUTION**

If you lack the skills, tools or equipment to perform diagnostic or repair work leave such work to an authorized Winnebago Industries dealer or other qualified shop.

DWG NO	SHEET
132030-01	1,6
132030-02	2,6
132030-03	3,6
132030-04	4,6
132030-05	5,6



CHANGER-CD  
102080-11-000  
SCREW  
G39-08-10U (6)

TO RADIO ANTENNA

RF HIDEAWAY UNIT

POWER AND REMOTE CABLE

BLK WIRE TO GROUND  
(USE SCREW G39-10-12B  
TO ATTACH TO STEEL)

RED WIRE  
(CONNECT TO  
WIN CIRCUIT)

YEL WIRE  
(CONNECT TO  
CIRCUIT GT)

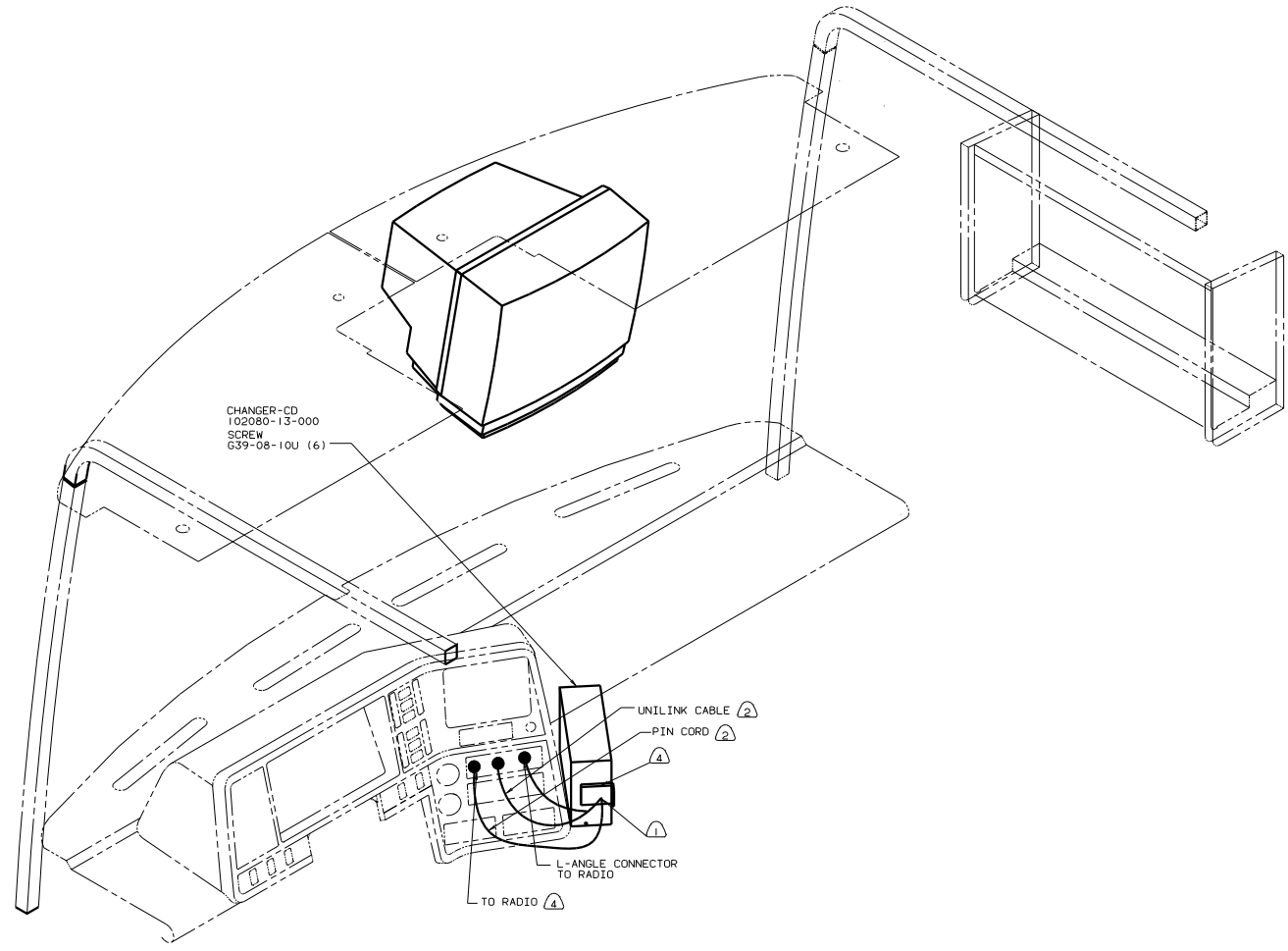
CHANGER-CONTROL/FM MODULATOR  
102080-12-000

TO RADIO

- ⑥ ROUTED ALONG RIGHT A-PILLAR.
- ⑤ SEE SHT 6 FOR ADDITIONAL INFORMATION.
- ④ CD CHANGER REMOTE. DRILL HOLE IN DASH AND MOUNT BELOW RADIO.
- ③ MOUNT UNDER IP PAD ON IP BASE.
- ② USE BRACKET SUPPLIED WITH CD PACKAGE.
- ① SUPPLIED WITH CHANGER-CONTROL PACKAGE.

SERIES  
52T CD CHANGER

QTY	DATE	UNSPECIFIED TOLERANCES ARE:	MATERIAL
CDP	DATE	WHOLE DIM IN	
DYE	DATE	ONE-PLACE (X.X1)	
D/E	DATE	TWO-PLACE (X.XX)	
CDP	DATE	THIRD PLACE (X.XXX)	



CHANGER-CD  
102080-13-000  
SCREW  
G39-08-10U (6)

UNILINK CABLE (2)

PIN CORD (2)

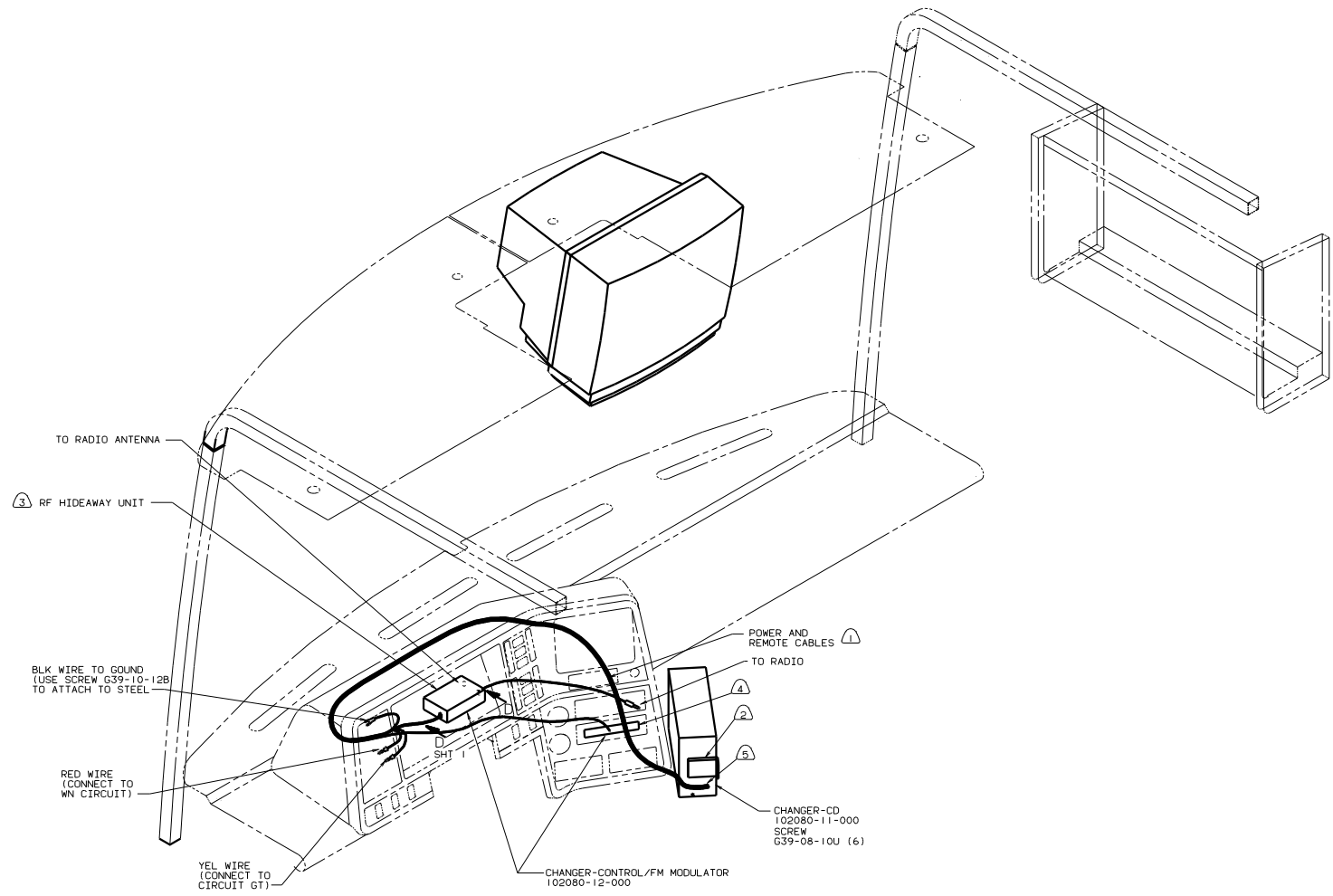
L-ANGLE CONNECTOR  
TO RADIO

TO RADIO (4)

- NOTES:
- (4) USE BRACKET SUPPLIED WITH CD PACKAGE.
  - (3) SEE RADIO INSTALLATION FOR RADIO PART NUMBER.
  - (2) SUPPLIED WITH CHANGER.
  - (1) SEE SHT 4 FOR ADDITIONAL INFORMATION.

00 038KD,040JD  
52T CD CHANGER

TITLE		CD PLAYER INSTL	
SCALE	DATE	REV	NO
AS SHOWN	11/88	1	1
SHEET 2 OF 6		132030	

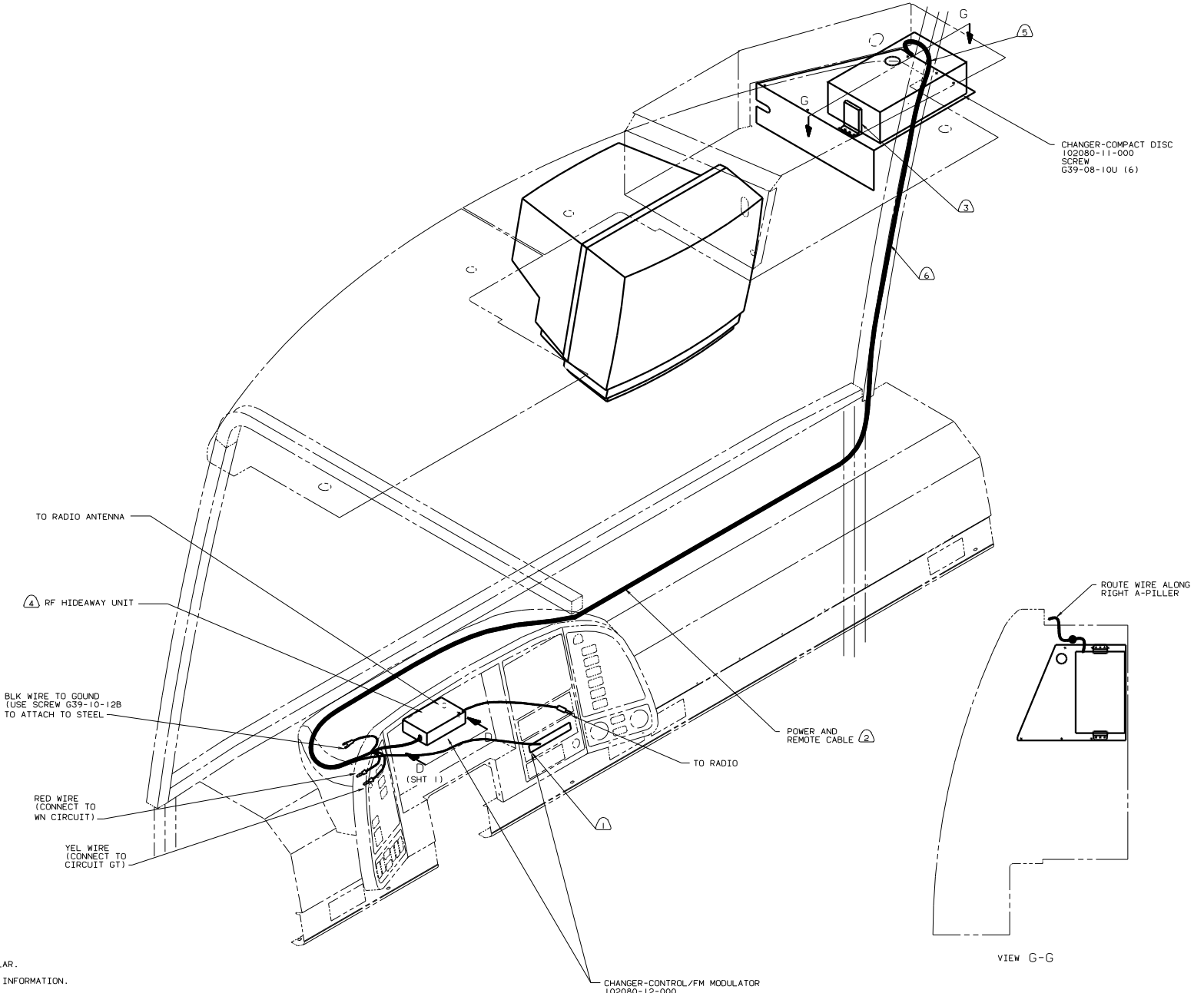


- ⑤ SEE SHEET 6 FOR ADDITIONAL INFORMATION.
- ④ CD CHANGER REMOTE, DRILL HOLE IN DASH AND MOUNT BELOW RADIO.
- ③ MOUNT UNDER IP PAD ON IP BASE.
- ② USE BRACKET SUPPLIED WITH CD PACKAGE.
- ① SUPPLIED WITH CHANGER-CONTROL PACKAGE.

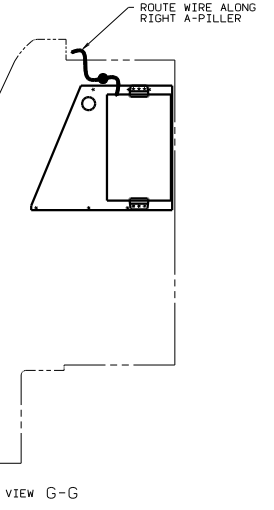
NOTES:

00 Q36C,Q38K,Q40J  
52T CD CHANGER

TITLE		CD PLAYER INSTL	
30 100 SCALE DRAWING	DATE	1.6	NO
SHEET 3 OF 6	FIG NO	132030	

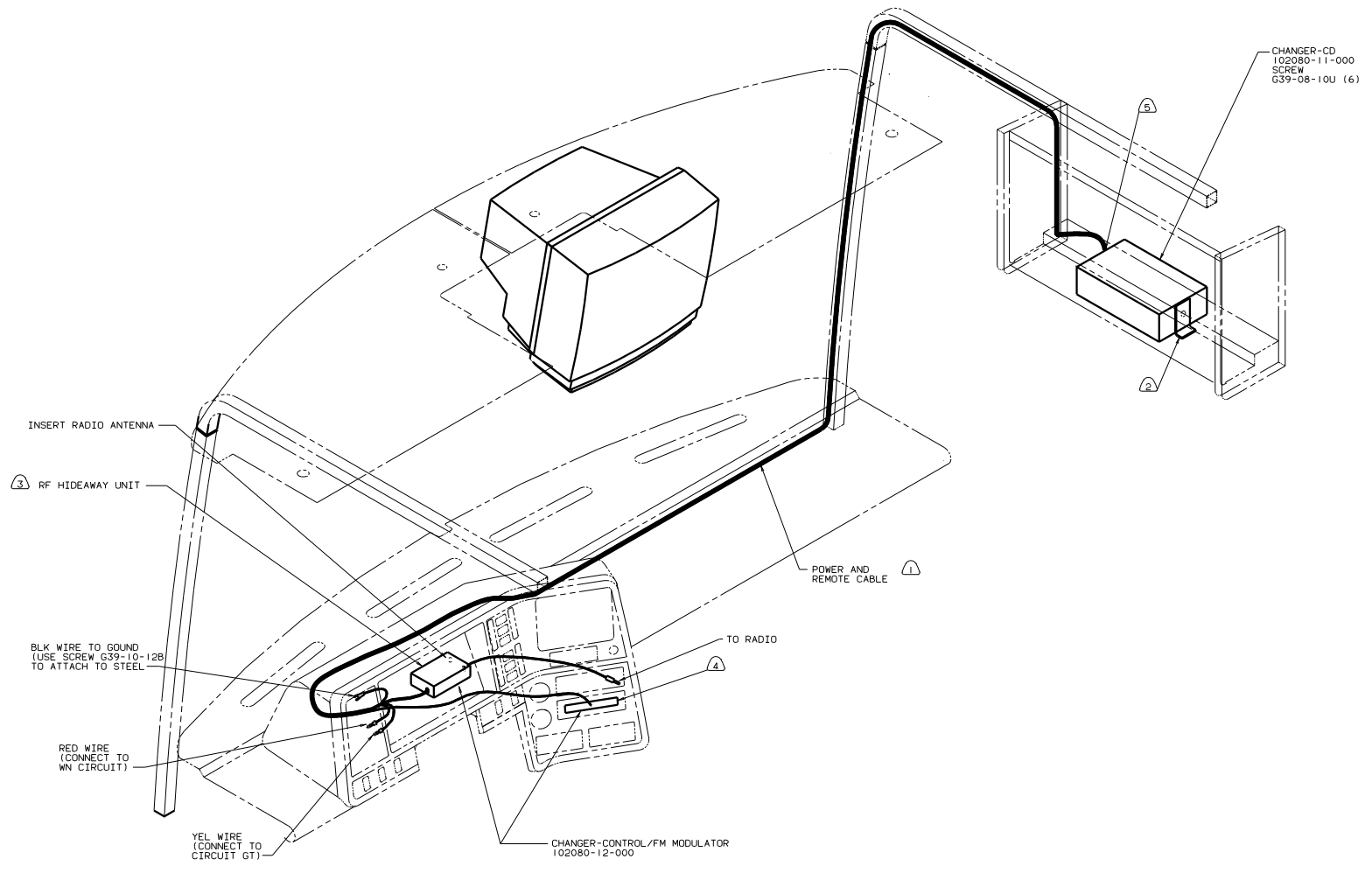


- NOTES:
- ① ROUTED ALONG RIGHT A-PILLAR.
  - ② SEE SHT 6 FOR ADDITIONAL INFORMATION.
  - ③ MOUNT UNDER IP PAD ON IP BASE.
  - ④ USE BRACKET SUPPLIED WITH CD PACKAGE.
  - ⑤ SUPPLIED WITH CHANGER-CONTROL PACKAGE.
  - ⑥ CD CHANGER REMOTE. DRILL HOLE IN DASH AND MOUNT BELOW RADIO.



L-SERIES  
52T CD CHANGER

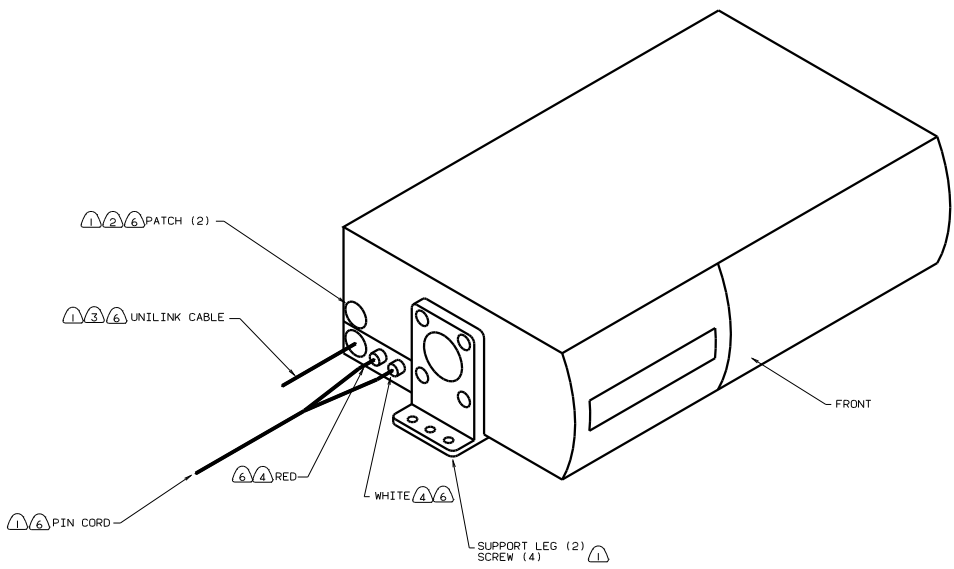
TITLE		CD PLAYER INSTL	
DO NOT SCALE DRAWING	DATE	1.0	132030
SHEET 4 OF 6	REV		



- ⑥ ROUTED ALONG RIGHT A-PILLAR.
- ⑤ SEE SHT 6 FOR ADDITIONAL INFORMATION.
- ④ CD CHANGER REMOTE. DRILL HOLE IN DASH AND MOUNT BELOW RADIO.
- ③ MOUNT UNDER IP PAD ON IP BASE.
- ② USE BRACKET SUPPLIED WITH CD PACKAGE.
- ① SUPPLIED WITH CHANGER-CONTROL PACKAGE.

P-SERIES  
52T CD CHANGER

TITLE		CD PLAYER INSTL	
30 DAY SCALE DRAWING	DATE	1.6	NO
SHEET 5 of 6	FILE NO	132030	



- (6) Q38KD,040JD ONLY.  
 5. SEE SHEETS 1,2,3,4,& 5 FOR ADDITIONAL INFORMATION.  
 (4) CONNECT PIN CORD CONNECTORS PER COLOR MATCH. RED TO RED. WHITE TO WHITE.  
 (3) STRAIGHT CONNECTOR TO CD-CHANGER, L-CONNECTOR TO RADIO.  
 (2) COVER THE HOLES WHICH ARE NOT USED. WITH PATCH.  
 (1) SUPPLIED WITH CD CHANGER

NOTES:

00 MOTORHOMES

TITLE: CD PLAYER INSTL	
DATE SCALE DRAWING	REV. NO.
SHEET 6 OF 6	1 E