



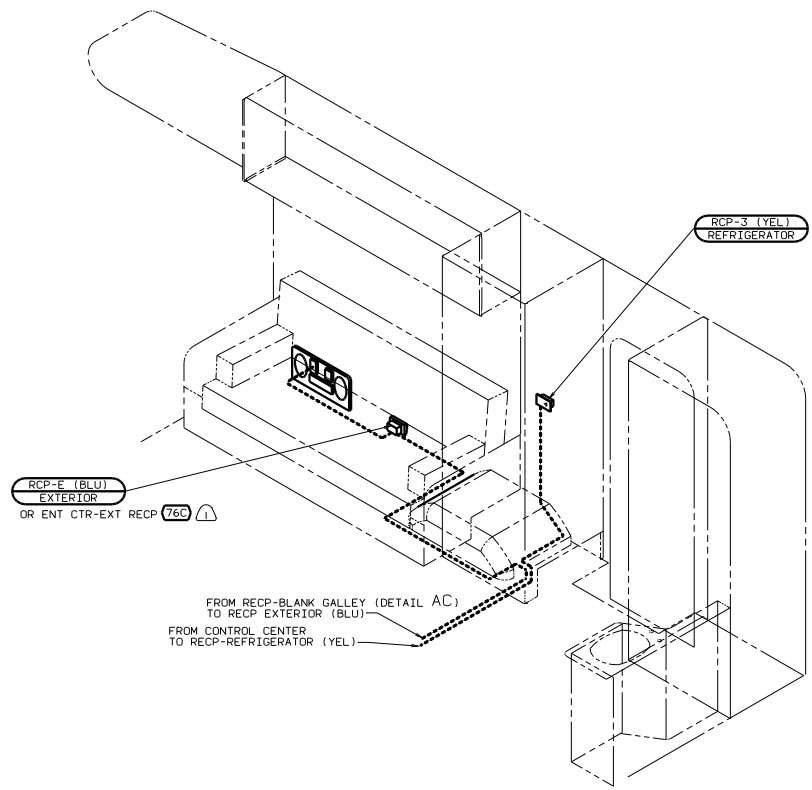
DANGER

Danger of electrical shock, burns or death. Always remove all power sources before attempting any repair, service or diagnostic work. Power can be present from shore power, generator, inverter or battery. All power sources must be disabled and secured before performing any service.



CAUTION

If you lack the skills, tools or equipment to perform diagnostic or repair work leave such work to an authorized Winnebago Industries dealer or other qualified shop.



RCP-E (BLU)
EXTERIOR
OR ENT CTR-EXT RECP (76C) (1)

RCP-3 (YEL)
REFRIGERATOR

FROM RECP-BLANK GALLEY (DETAIL AC)
TO RECP-EXTERIOR (BLU)

FROM CONTROL CENTER
TO RECP-REFRIGERATOR (YEL)

- (76C) ENTERTAINMNT CTR/EXT CASSETTE
- (12B) ELECTRICAL SYSTEM 30 AMP
- (1B1) CODES/STANDARDS USA

00 322R

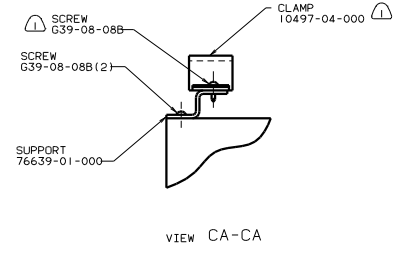
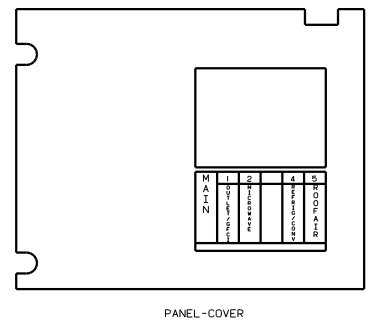
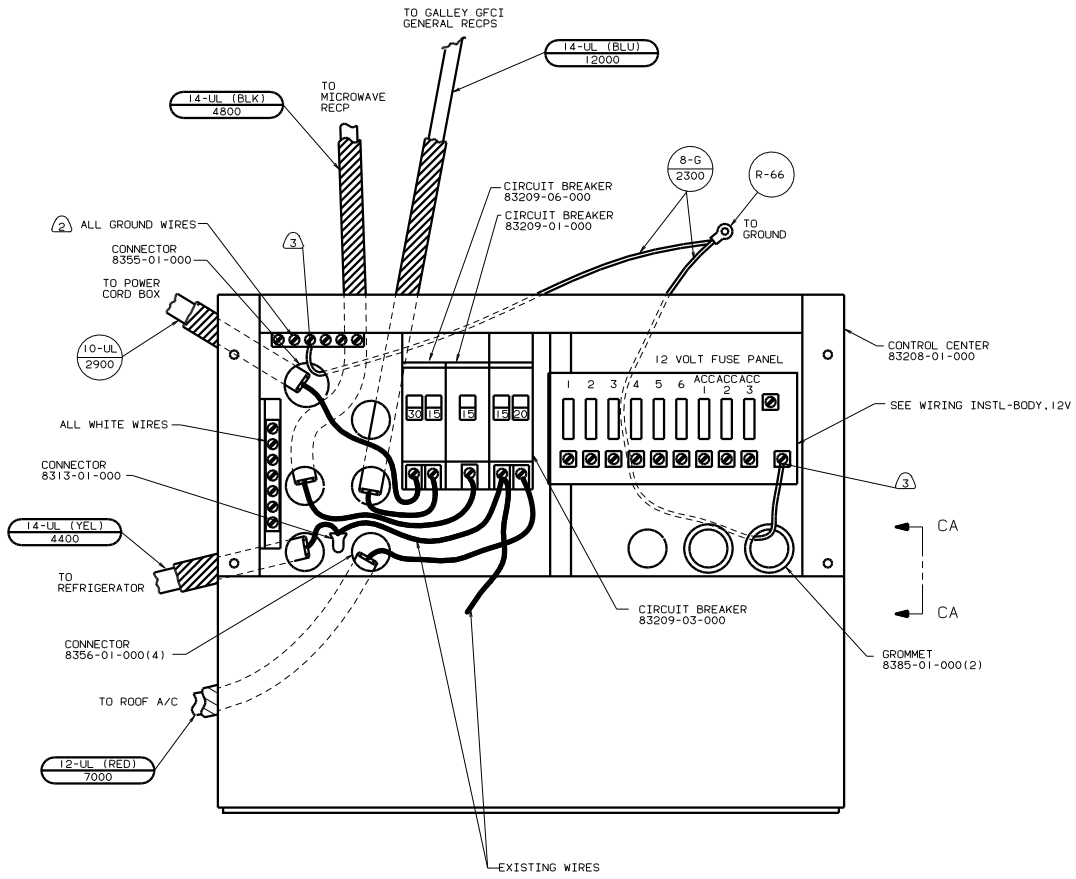
NOTES: (1) SEE ENTERTAINMENT CENTER COMPL FOR ADDITIONAL INFORMATION.

FOR ELECTRICAL
TORQUE
SPECIFICATIONS
SEE DWG NO.
128783-01-000

(X-X)

FOR
ELECTRICAL
CALLOUTS
SEE DWG NO.
121339-01-000

TITLE: WIRING INSTL-BODY 110V
SHEET 2 OF 7
DWG NO 131986



- 4. ALL CABLES SHALL BE COVERED WITH CONDUIT CONVOLUTE SLIT 41953-01-000 UNLESS OTHERWISE SPECIFIED. 600 LESS THAN CABLE LENGTH.
- 3. WIRES W/O TERMINALS TO BE STRIPPED 10 AND SOLDER DIPPED.
- 2. ALL GROUND WIRES TO BE COVERED WITH TUBING 8041-02-000.
- 1. FASTEN ALL WIRES TO SUPPORT. USE ONE SCREW PER CLAMP.

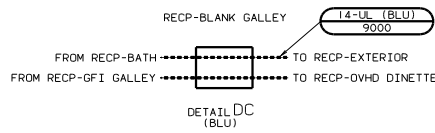
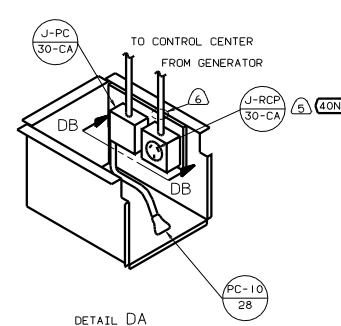
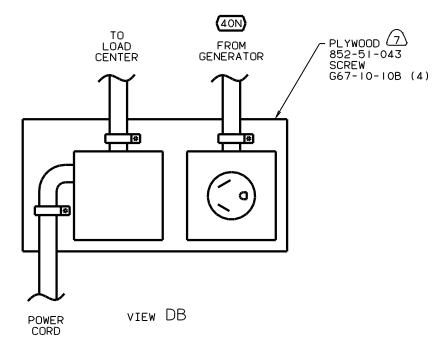
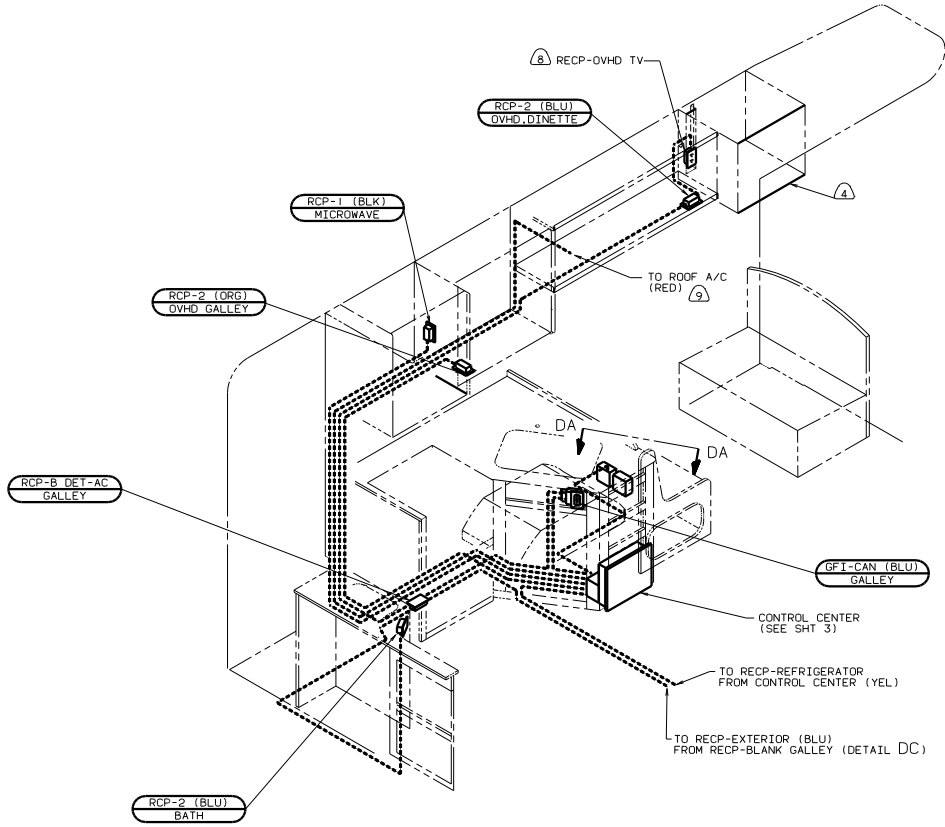
(12D) ELECTRICAL SYSTEM 30 AMP
 (1B1) CODES/STANDARDS USA
 CONTROL CENTER
 00 322R

FOR ELECTRICAL TORQUE SPECIFICATIONS SEE DWG NO. 128783-01-000

FOR ELECTRICAL CALLOUTS SEE DWG NO. 121339-01-000

TITLE: WIRING INSTL-BODY.110V
 SHEET 3 OF 7
 DWG NO. 131986

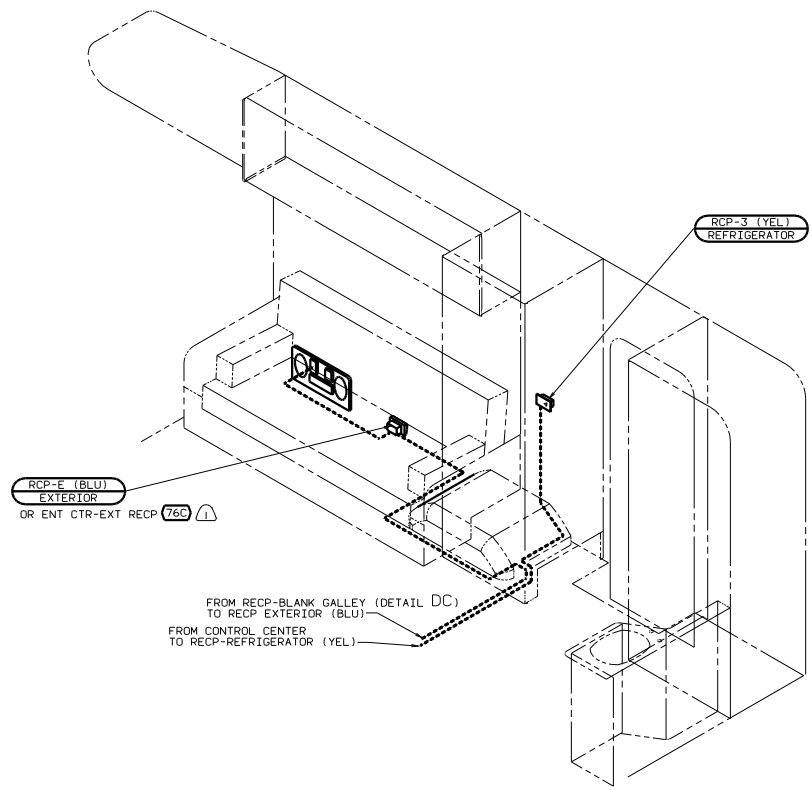
NOTES:



- NOTES:
- 1. ALL WIRES TO BE SECURED WITH CLAMP 10495-01-000 OR CLIP 80734-01-000 EVERY 1200. USE SCREW G67-10-12B UNLESS OTHERWISE SPECIFIED.
 - 2. ALL WIRES ARE TO BE SECURED WITH CLAMP 10497-05-000 WITHIN 200 OF OUTLET BOXES, USE SCREW G67-10-12B.
 - 3. ALL GROUND WIRES TO BE COVERED WITH TUBING 8041-02-000.
 - 4. SEE WIRING INSTL-TV/VCR, SIDE FOR ADDITIONAL INFORMATION.
 - 5. INSTALL RECP WITH GROUND TOWARD OUTBOARD SIDE OF VEHICLE.
 - 6. SEAL WITH BEDDING COMPOUND 69639-01-000.
 - 7. PAINT EXPOSED SURFACES BLACK WITH 106112-01-000.
 - 8. NOT USED WITH (78A).
 - 9. ROUTE WIRES THROUGH ROOF.

(265) CODES/STANDARDS-CSA/CMVSS
 (12D) ELECTRICAL SYSTEM 30 AMP

FOR ELECTRICAL CALLOUTS SEE DWG NO. 121339-01-000



(1) SEE ENTERTAINMENT CENTER COMPL FOR ADDITIONAL INFORMATION.

FOR ELECTRICAL
TORQUE
SPECIFICATIONS
SEE DWG NO.
128783-01-000

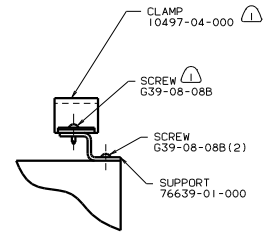
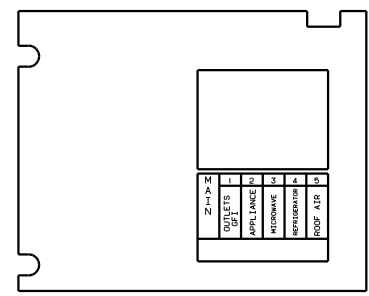
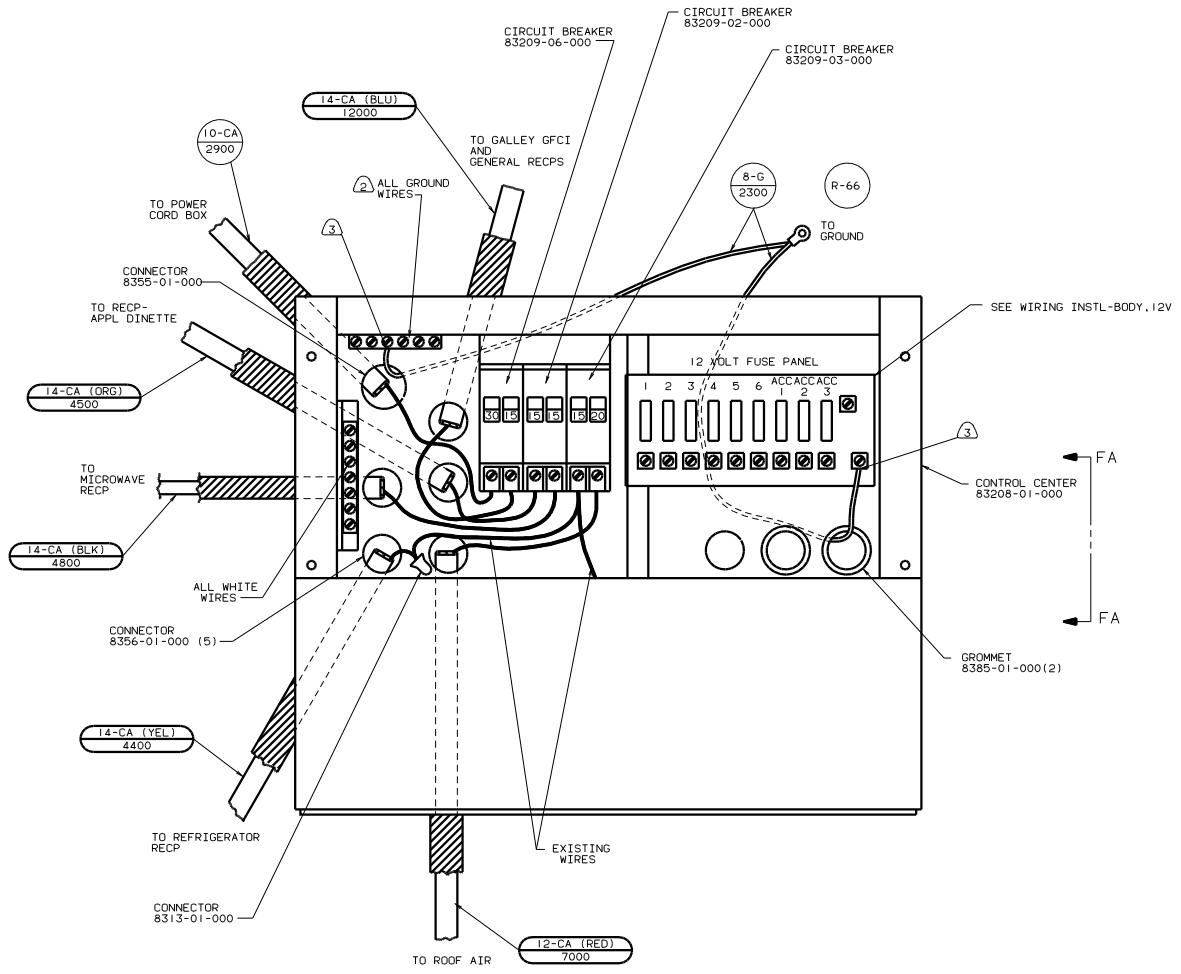
(X-X)
FOR
ELECTRICAL
CALLOUTS
SEE DWG NO.
121339-01-000

(265) CODES/STANDARDS-CSA/CMVSS
(12D) ELECTRICAL SYSTEM 30 AMP

00 322R

TITLE: WIRING INSTL-BODY 110V
DWG NO 131986
SHEET 5 OF 7

NOTES:



4. ALL CABLES SHALL BE COVERED WITH CONDUIT CONVOLUTE SLIT 41953-01-000 UNLESS OTHERWISE SPECIFIED. 600 LESS THAN CABLE LENGTH.
3. WIRES W/O TERMINALS TO BE STRIPPED 10 AND SOLDER DIPPED.
2. ALL GROUND WIRES TO BE COVERED WITH TUBING 8041-02-000.
1. FASTEN ALL WIRES TO SUPPORT. USE ONE SCREW PER CLAMP.


FOR ELECTRICAL TORQUE SPECIFICATIONS SEE DWG NO. 128783-01-000

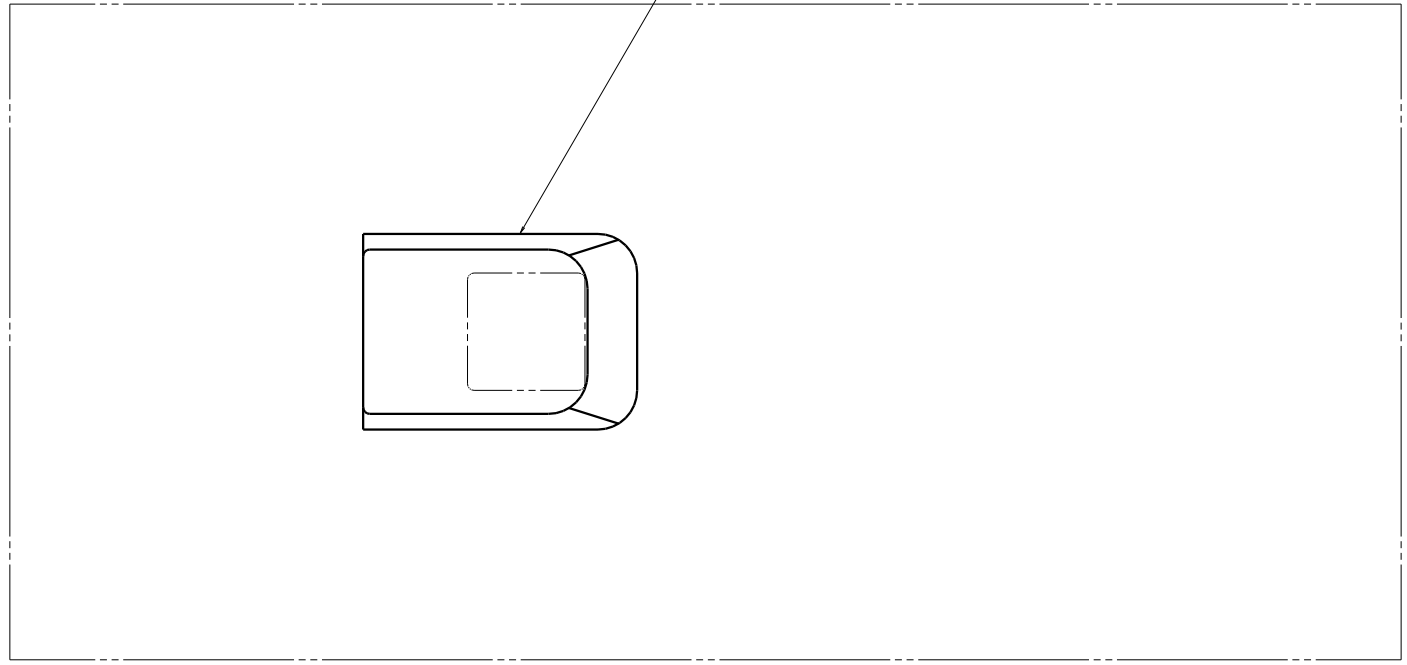
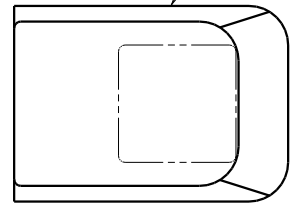
FOR ELECTRICAL CALLOUTS SEE DWG NO. 121339-01-000

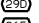
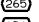
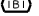
- 265 CODES/STANDARDS-CSA/CMVSS
- 250 A/C ROOF AIR (1) 14,800 BTU
- 120 ELECTRICAL SYSTEM 30 AMP

CONTROL CENTER 00 322R


TITLE: WIRING INSTL-BODY, 110V
 SHEET 6 OF 7
 DWG NO. 131986

AIR CONDITIONER 
131185-01-CHT
CEILING ASM-A/C DUCTED
131184-03-CHT



-  A/C ROOF-ONE 13,500 BTU
-  CODES/STANDARDS-CSA/CMVSS
-  CODES/STANDARDS USA

A/C
00 322R

 SEE 12 VOLT DRAWING FOR MORE INFORMATION.

NOTES:

TITLE: WIRING INSTL-BODY_110V	
DATE: 11/14/00	DESIGNER: J.E.
SHEET: 7 of 7	DWG NO: 131986