



**DANGER**

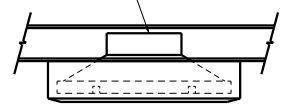
**Danger of electrical shock, burns or death.** Always remove all power sources before attempting any repair, service or diagnostic work. Power can be present from shore power, generator, inverter or battery. All power sources must be disabled and secured before performing any service.



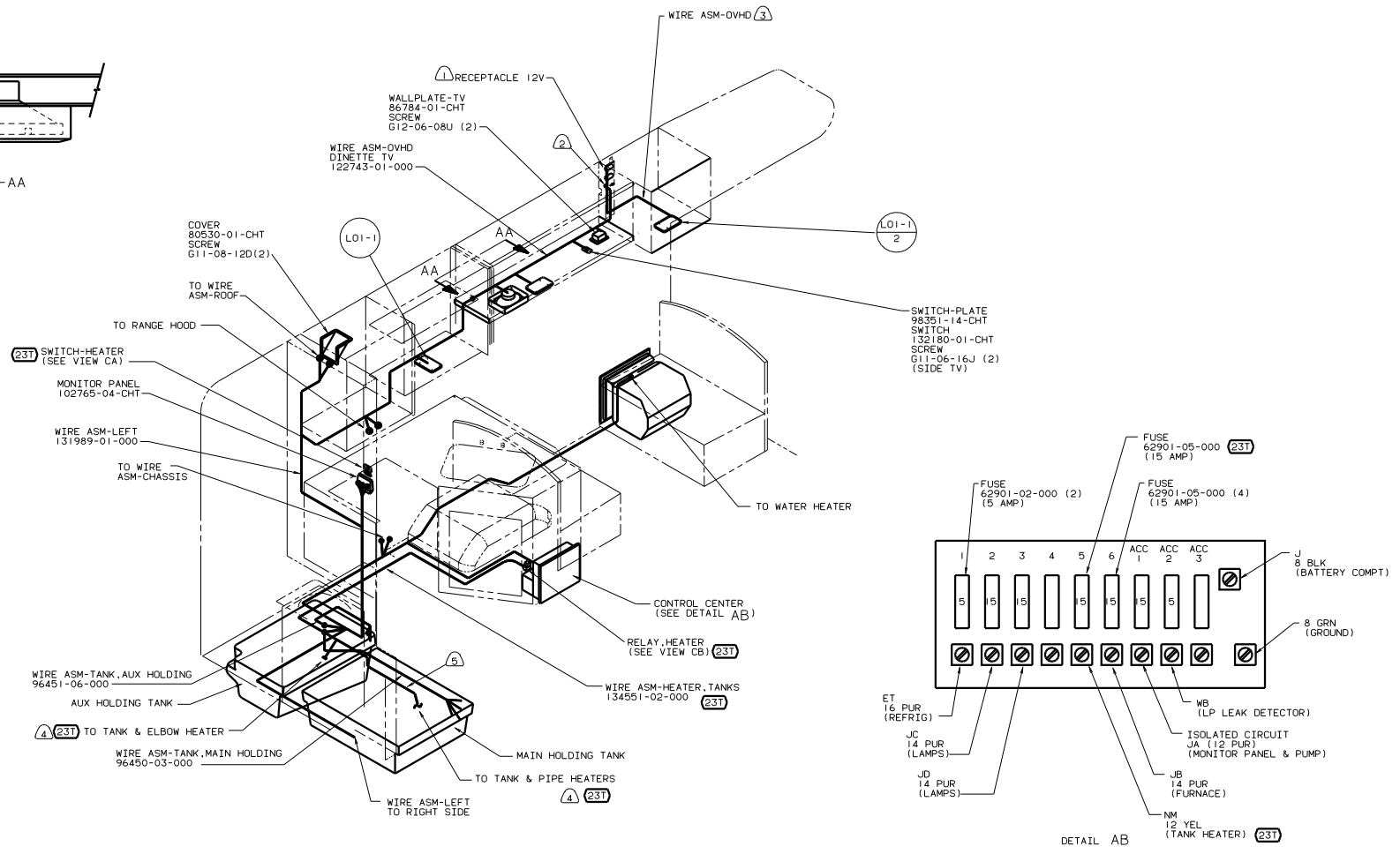
**CAUTION**

If you lack the skills, tools or equipment to perform diagnostic or repair work leave such work to an authorized Winnebago Industries dealer or other qualified shop.

SPEAKER KIT  
 110465-01-000 (1/4)  
 GRILLE  
 111177-01-CHT  
 SCREW  
 (SUPPLIED W/SPEAKER) (4)  
 SCREW  
 G56-08-32X (4)



VIEW AA-AA



- (5) ROUTE WIRES ALONG DRAINAGE PIPES.
- (4) SEE DRAINAGE SYSTEM INSTL. FOR HEATER PAD PART NUMBERS AND LOCATION.
- (3) SEE CABT ASM-TV FOR ADDITIONAL INFORMATION.
- (2) TAPE BACK JA AND JP FOR 2ND 12V JACK WHEN IT IS NOT NEEDED.
- (1) SEE WIRING INSTL-TV/VCR. SIDE FOR ADDITIONAL INFORMATION.

- (237) HEATED HOLDING TANKS-PACKAGE
- (265) CODES/STANDARDS-CSA/CMVSS
- (1B1) CODES/STANDARDS USA

FOR ELECTRICAL TORQUE SPECIFICATIONS SEE DWG NO. 128783-01-000

FOR ELECTRICAL CALLOUTS SEE DWG NO. 121339-01-000

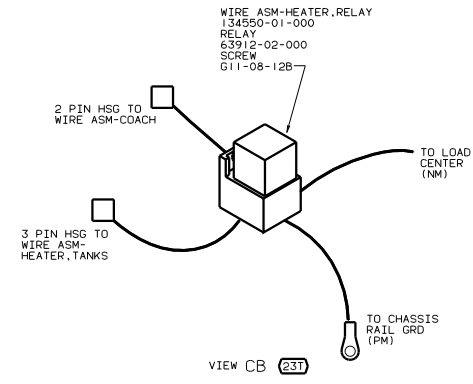
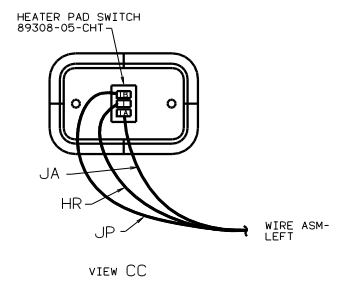
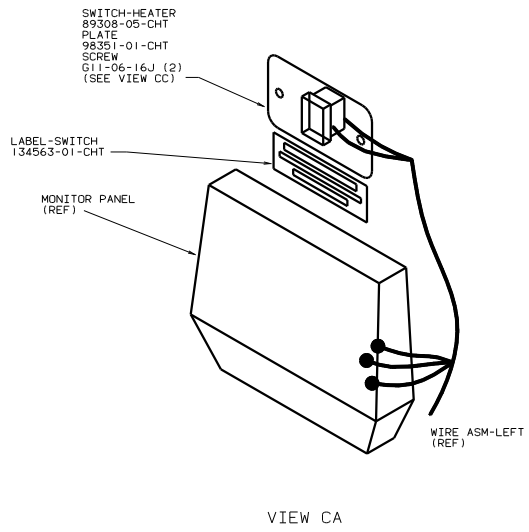
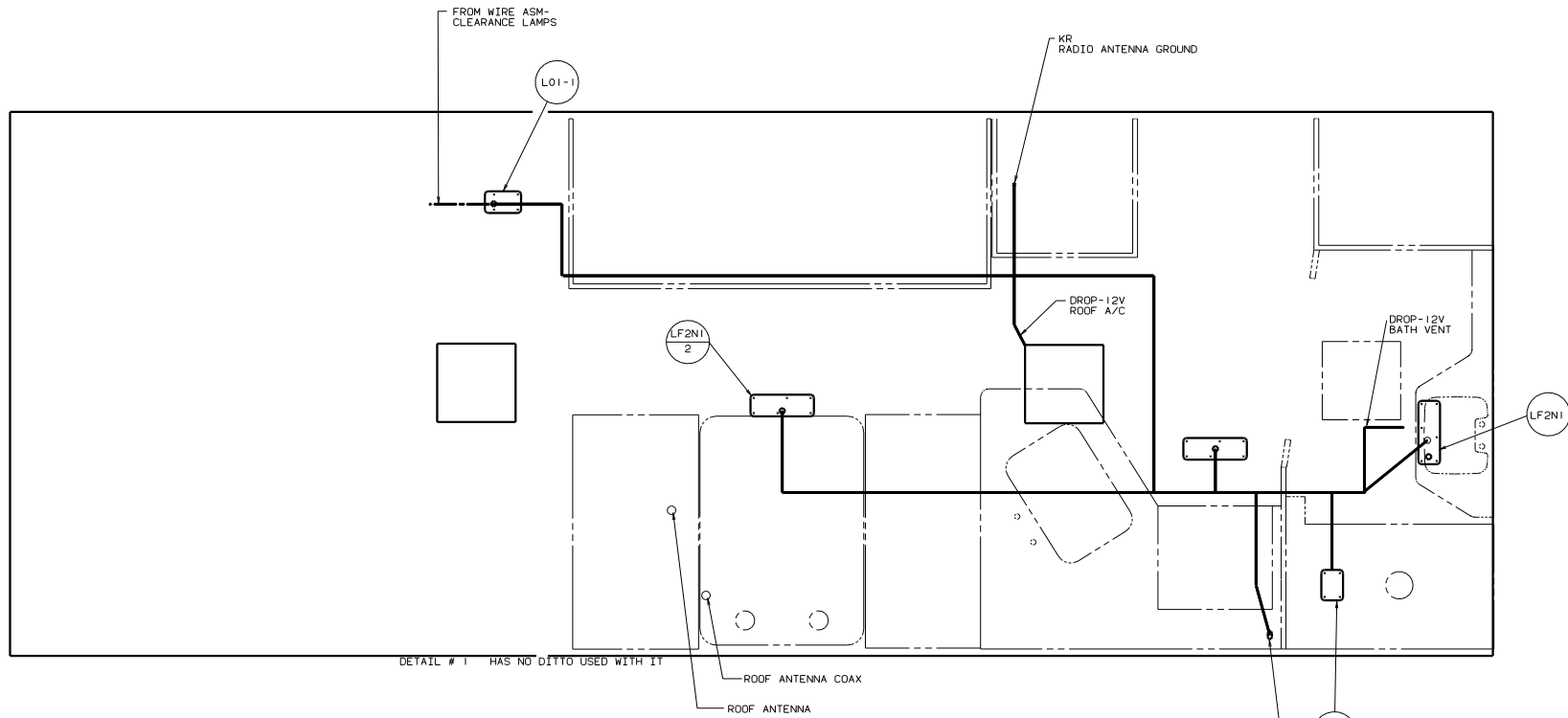
WINNEBAGO 00 322R

DATE	UNSPECIFIED TOLERANCES ARE:	MATERIAL
DATE	WHOLE DIM (IN)	
DATE	ONE-PLACE (IN, IN)	
DATE	TWO-PLACE (IN, IN)	
DATE	THREE-PLACE (IN, IN)	
DATE	THIRD ANGLE PROJECTION	

WIRING INSTL-BODY, 12V LEFT

SHEET 1 OF 5

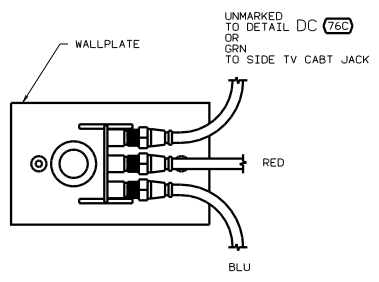




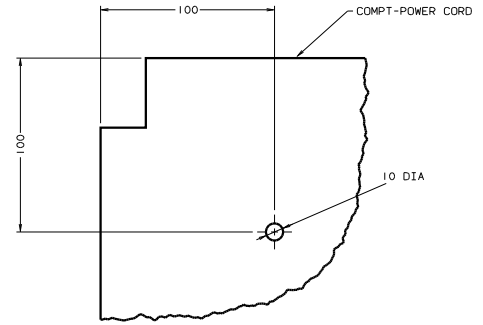
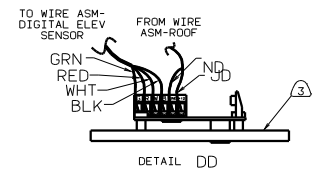
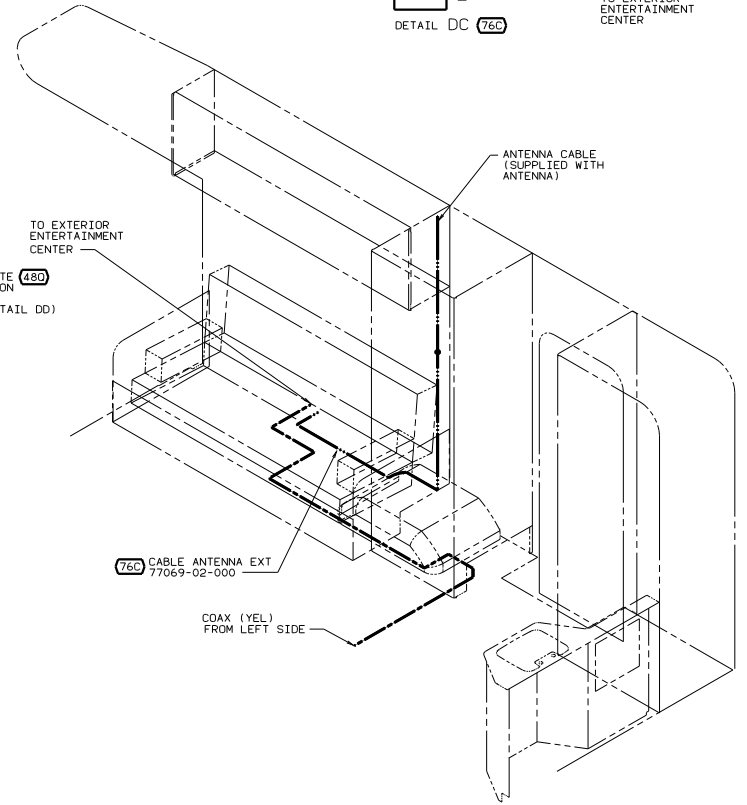
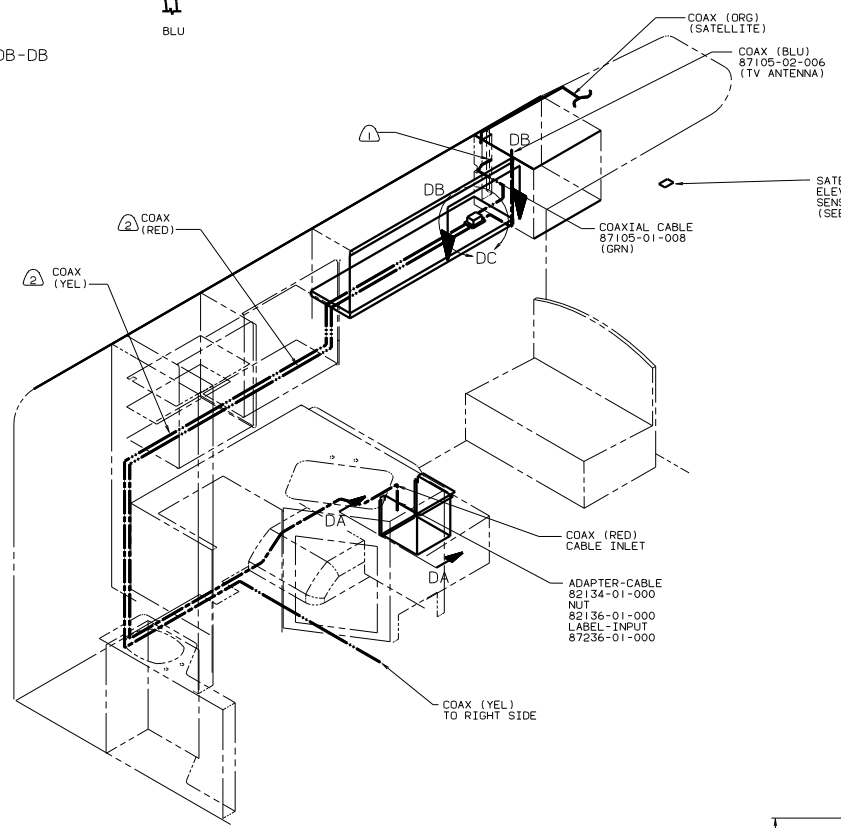
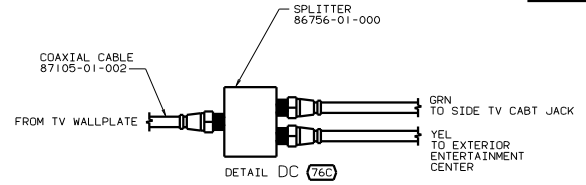
(X-X) FOR ELECTRICAL CALLOUTS SEE DWG NO. 121339-01-000

FOR ELECTRICAL TORQUE SPECIFICATIONS SEE DWG NO. 128783-01-000

(23T) HEATED HOLDING TANKS-PACKAGE 00 322R



VIEW DB-DB



VIEW DA-DA

- NOTES:
- ③ SENSOR IS SUPPLIED WITH SATELLITE INSTL-KIT.
  - ② COAX IS AN INTEGRAL PART OF WIRE ASSEMBLY COACH.
  - ① SEE WIRING INSTL-TV/VCR, SIDE FOR ADDITIONAL INFORMATION.

- (480) SATELLITE DISH
- (76C) ENTERTAINMNT CTR/EXT CASSETTE
- (265) CODES/STANDARDS-CSA/CMVSS
- (193) TV ANTENNA
- (181) CODES/STANDARDS USA

FOR ELECTRICAL CALLOUTS SEE DWG NO. 121339-01-000

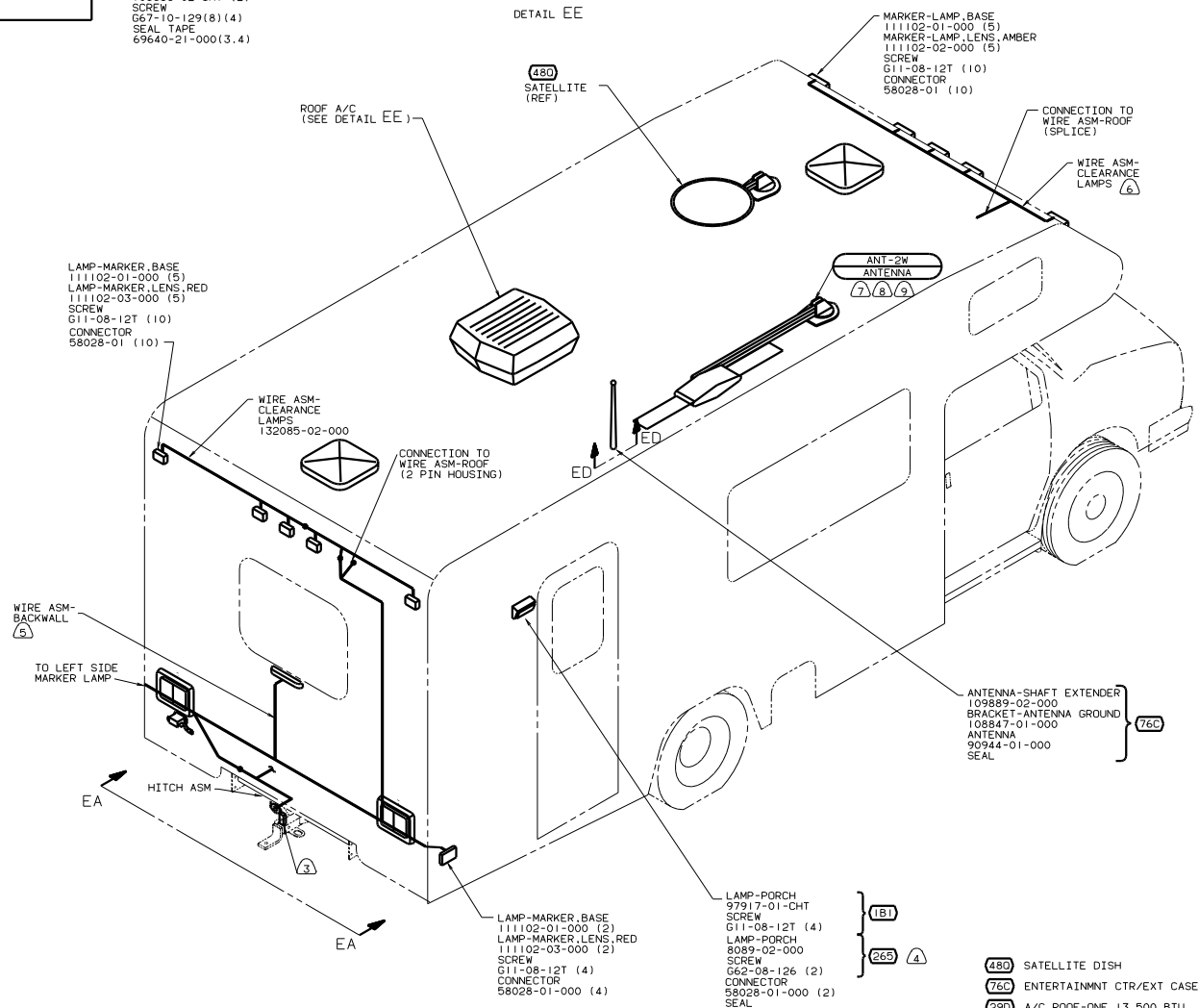
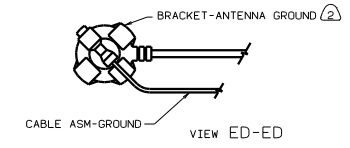
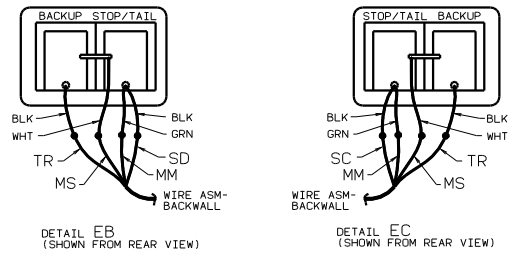
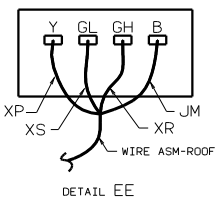
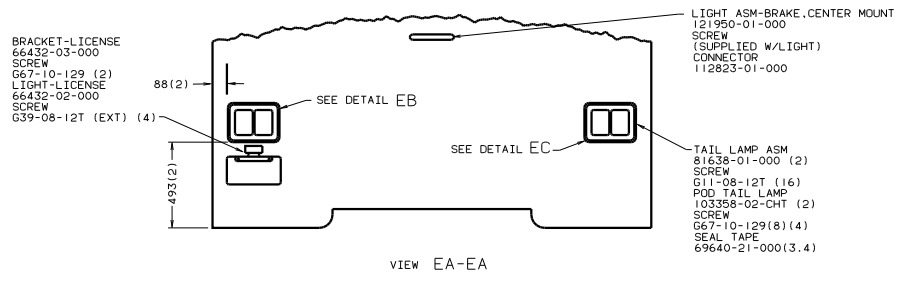
FOR ELECTRICAL TORQUE SPECIFICATIONS SEE DWG NO. 128783-01-000

WIRING INSTL-BODY, 12V COAX

SHEET 4 OF 5

DWG NO 131985

00 322R



- (9) ADD RUBBER BUMPER TO ROOF UNDER EACH END OF ANTENNA IN DOWN POSITION WHICH MAY COME INTO CONTACT WITH ROOF.
  - (8) LOCATE CLAMP TO RETAIN CABLE BUT NOT TO RESTRICT ANTENNA TRAVEL.
  - (7) SEE DRAWING 76319-01-000 FOR INSTALLATION OF TV ANTENNA.
  - (6) LOCATED IN FRONT ROOF ASM.
  - (5) LOCATED IN BACKWALL ASM.
  - (4) INSTALL WITH WIRES TOWARDS ROOF.
  - (3) SECURE WIRE BELOW COACH WITH CLAMP 10495-01-000 AND SCREW G67-10-128.
  - (2) WRAP BRACKET LEGS AROUND ANTENNA BASE.
1. CONNECTOR-PLUG, TRAILER 113589-01-000 TO BE SUPPLIED LOOSE IN COACH WITH TRAILER TOW PACKAGE.

FOR ELECTRICAL TORQUE SPECIFICATIONS SEE DWG NO. 128783-01-000

(X-X)

FOR ELECTRICAL CALLOUTS SEE DWG NO. 121339-01-000

- (480) SATELLITE DISH
- (76C) ENTERTAINMENT CTR/EXT CASSETTE
- (29D) A/C ROOF-ONE 13,500 BTU
- (265) CODES/STANDARDS-CSA/CMVSS
- (1B1) CODES/STANDARDS USA