



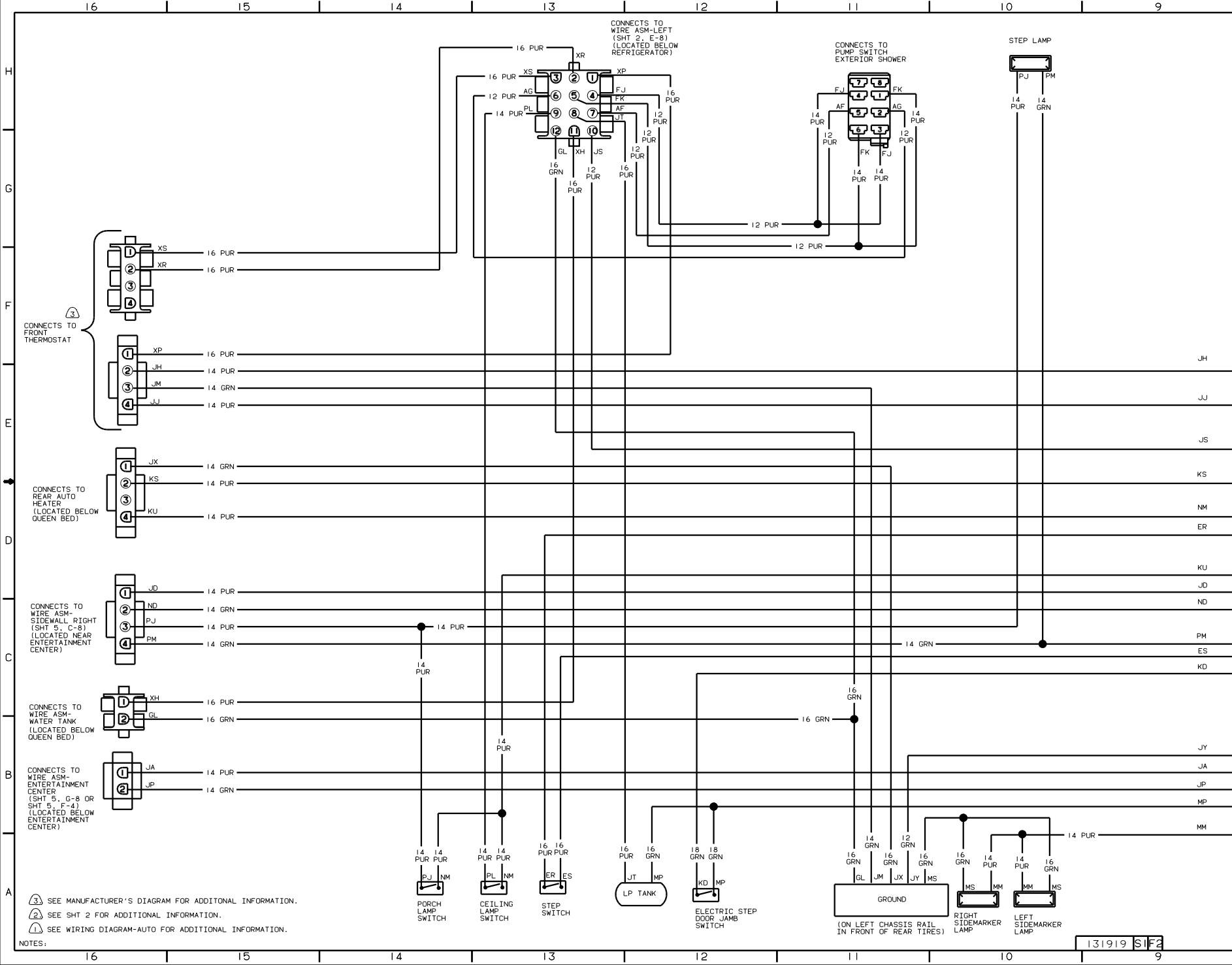
DANGER

Danger of electrical shock, burns or death. Always remove all power sources before attempting any repair, service or diagnostic work. Power can be present from shore power, generator, inverter or battery. All power sources must be disabled and secured before performing any service.



CAUTION

If you lack the skills, tools or equipment to perform diagnostic or repair work leave such work to an authorized Winnebago Industries dealer or other qualified shop.

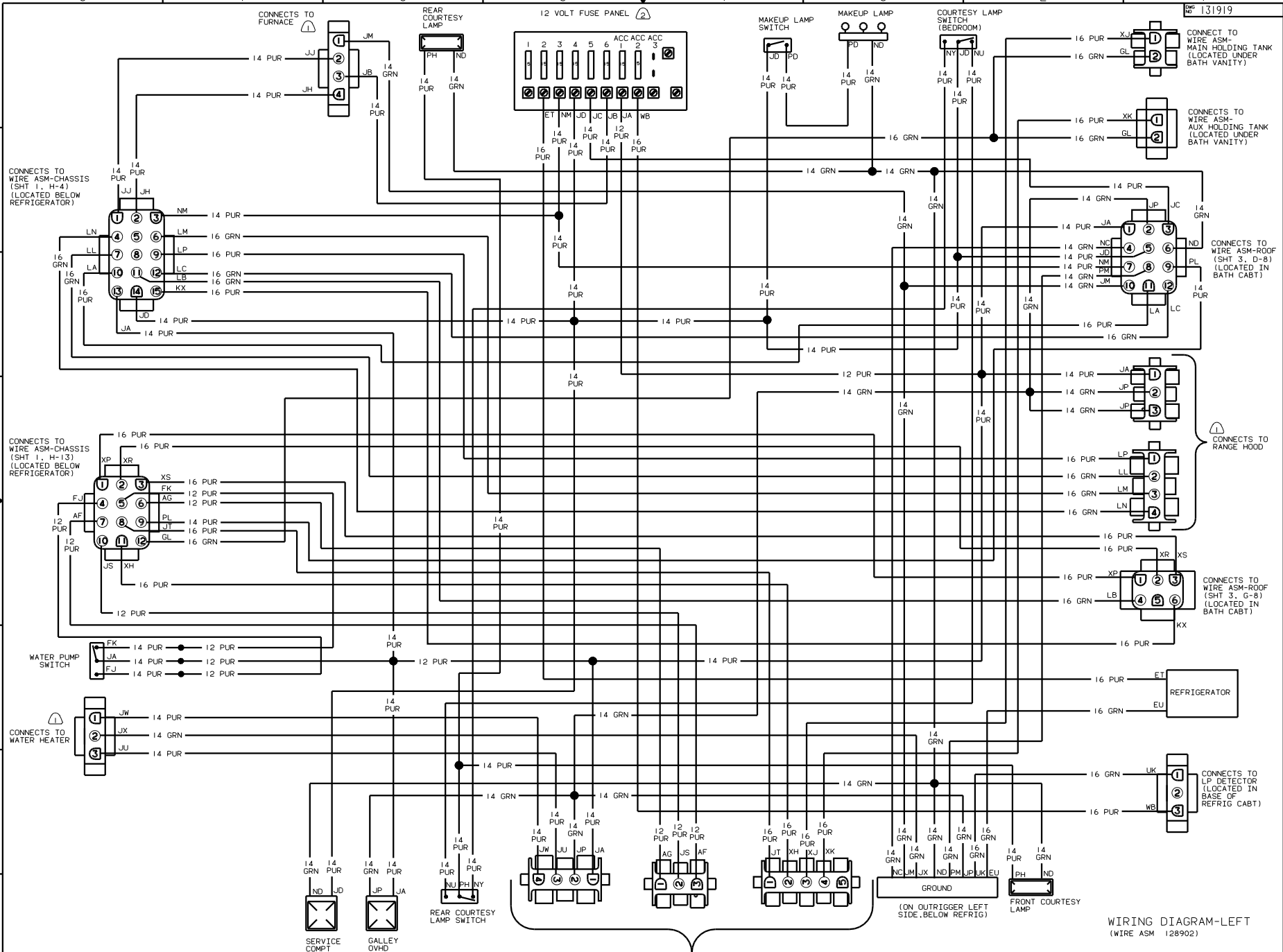


③ SEE MANUFACTURER'S DIAGRAM FOR ADDITIONAL INFORMATION.

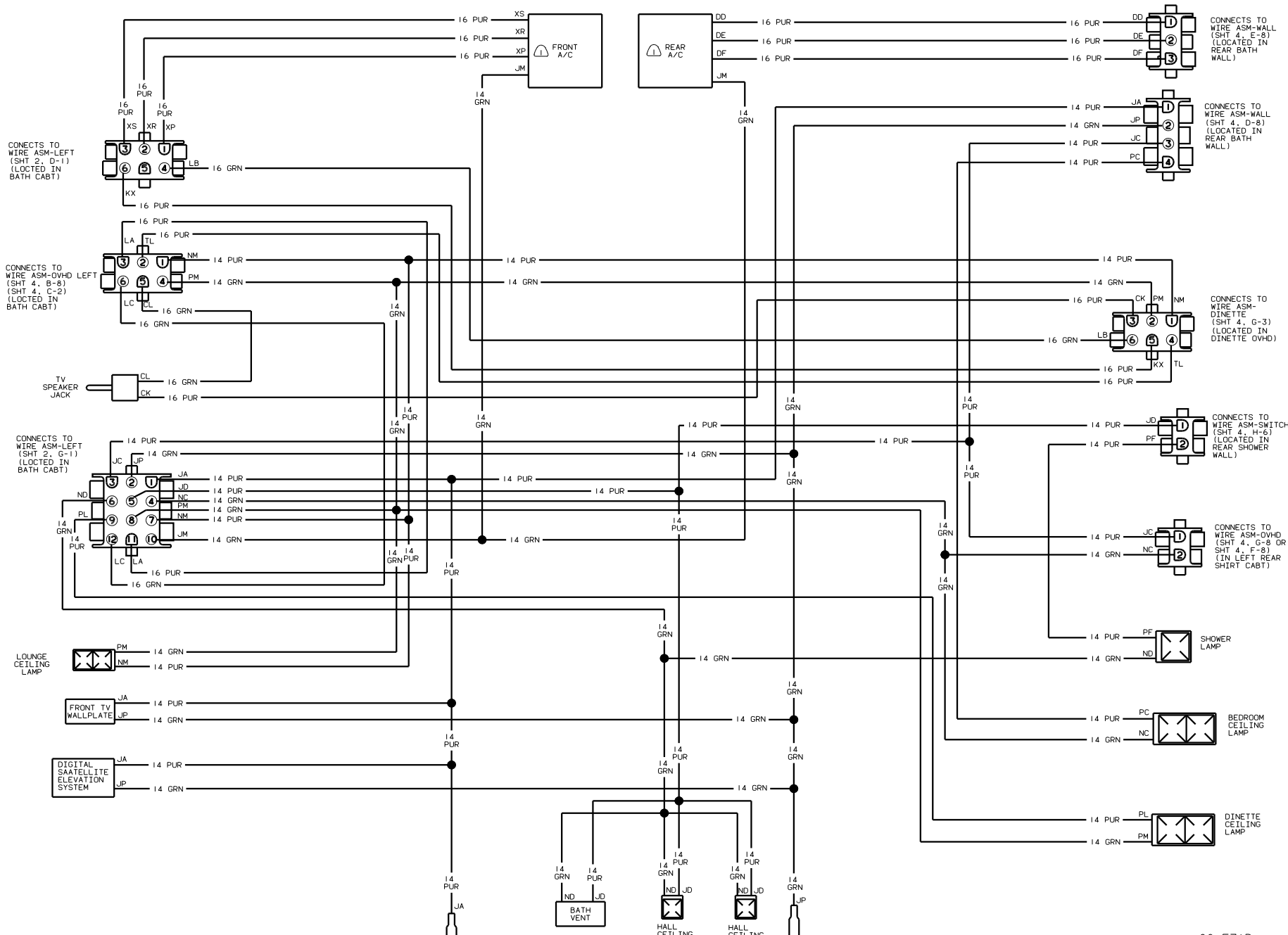
② SEE SHT 2 FOR ADDITIONAL INFORMATION.

① SEE WIRING DIAGRAM-AUTO FOR ADDITIONAL INFORMATION.

NOTES:



WIRING DIAGRAM-LEFT
(WIRE ASM 128902)

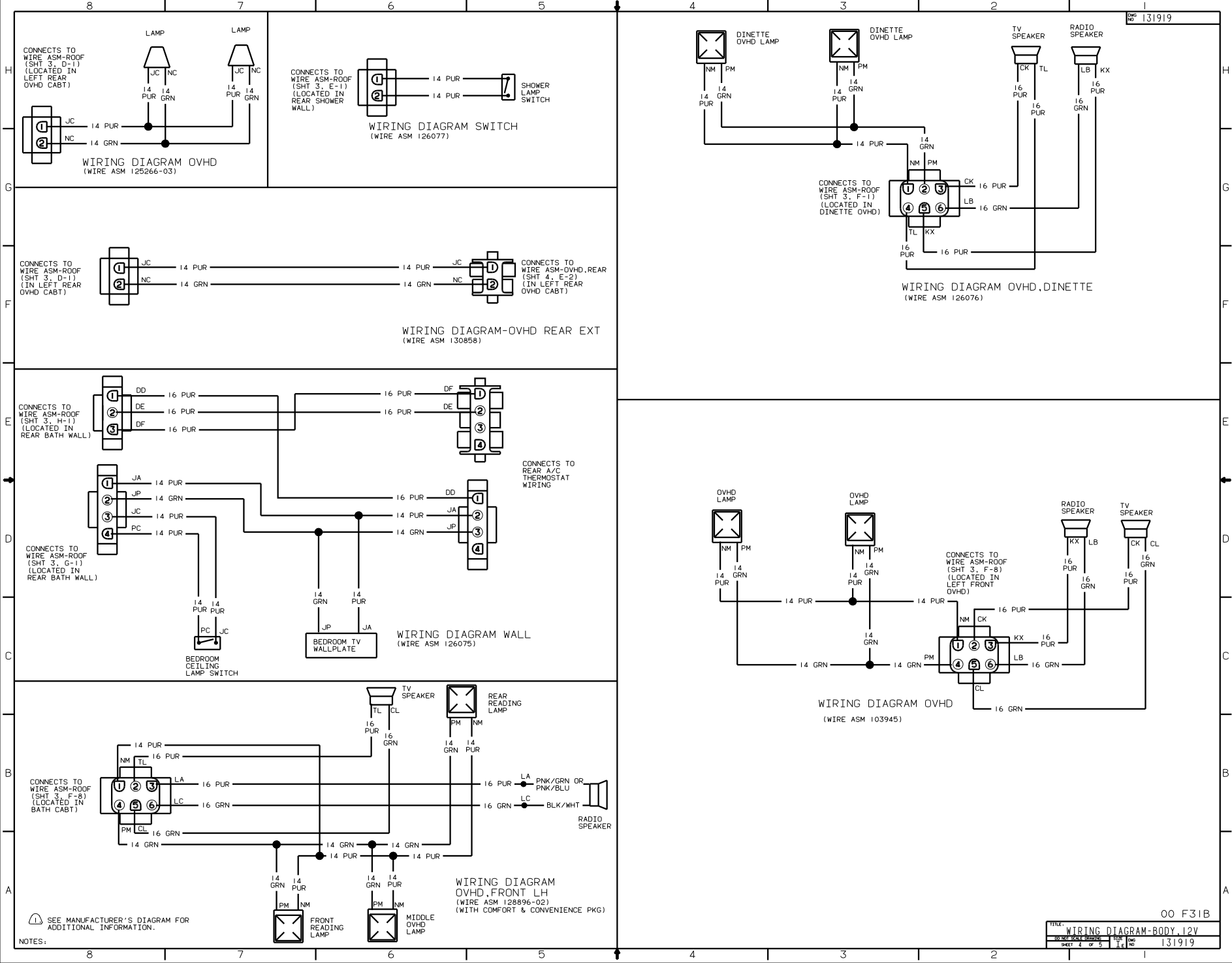


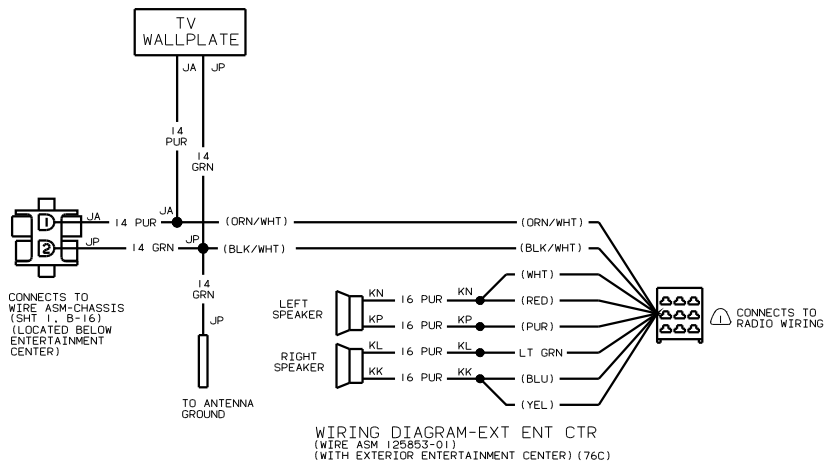
1) SEE MANUFACTURER'S DIAGRAM FOR ADDITIONAL INFORMATION.

WIRING DIAGRAM-ROOF (WIRE ASM 128927)

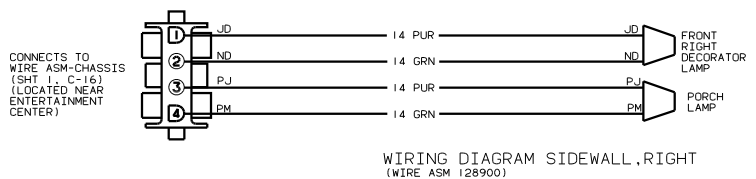
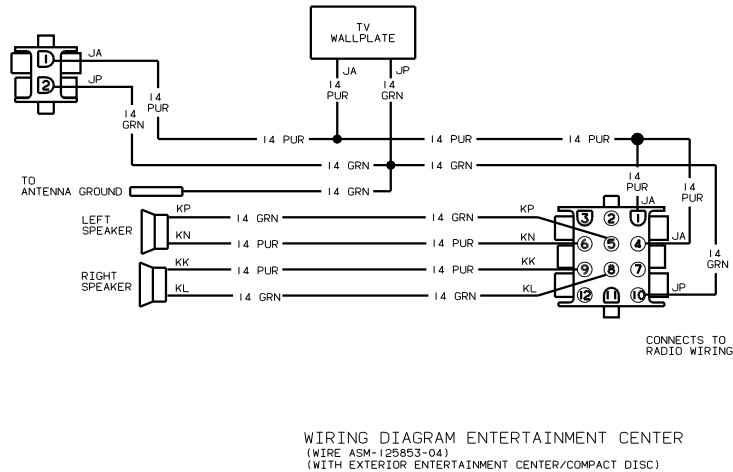
00 F31B

TITLE: WIRING DIAGRAM-BODY 12V	
DO NOT SCALE DRAWING	DATE: 1/6
SHEET 3 OF 5	131919





CONNECTS TO WIRE ASM COACH (SHT 1, B-16) (BELOW ENTERTAINMENT) (CENTER)



SEE MANUFACTURER'S DIAGRAM FOR ADDITIONAL INFORMATION.

NOTES:

00 F31B

TITLE: WIRING DIAGRAM-BODY_12V	
DATE: 11/11/11	REV: 1.0
SHEET: 5 of 5	DWG NO: 131919