



**DANGER**

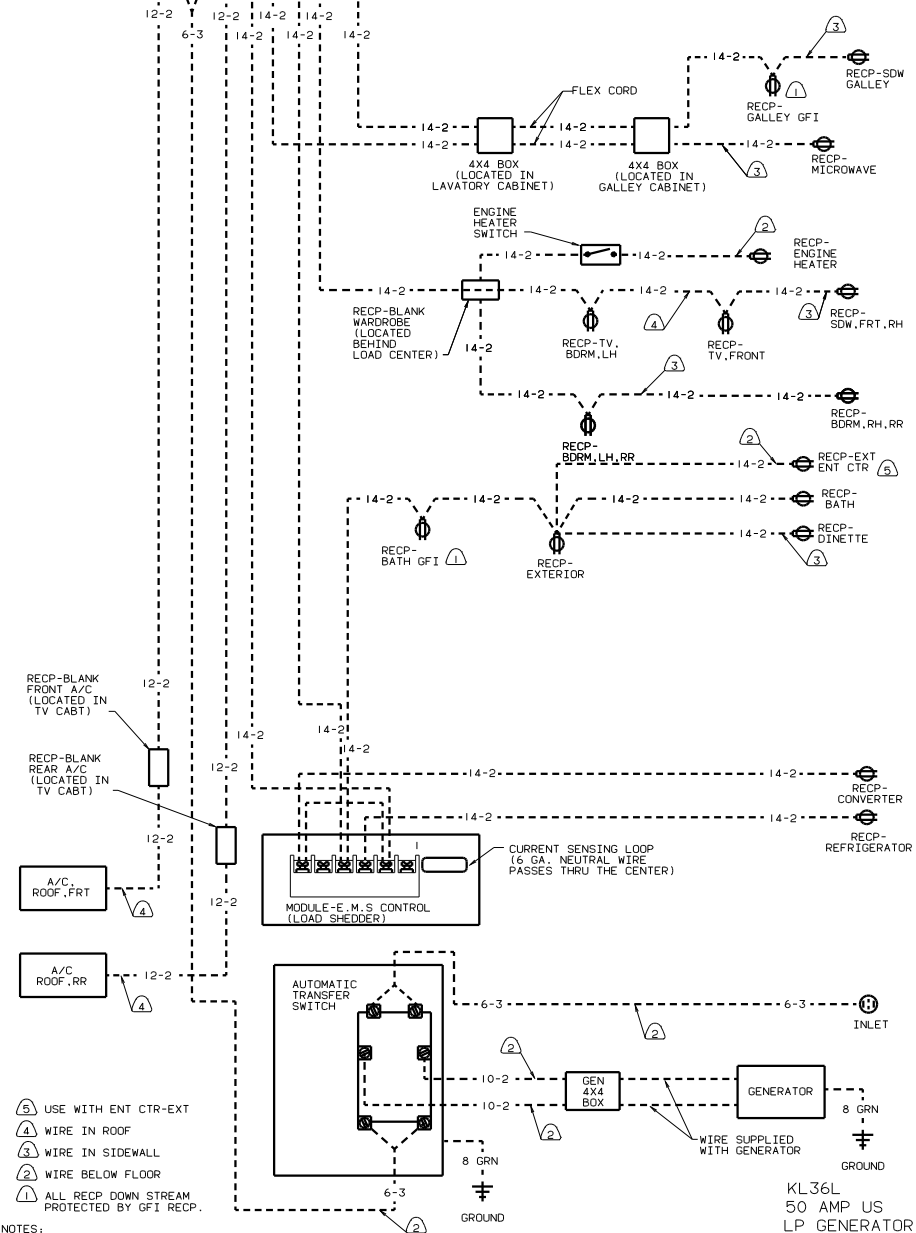
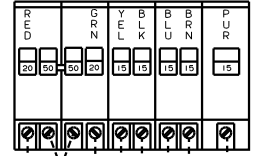
**Danger of electrical shock, burns or death.** Always remove all power sources before attempting any repair, service or diagnostic work. Power can be present from shore power, generator, inverter or battery. All power sources must be disabled and secured before performing any service.



**CAUTION**

If you lack the skills, tools or equipment to perform diagnostic or repair work leave such work to an authorized Winnebago Industries dealer or other qualified shop.

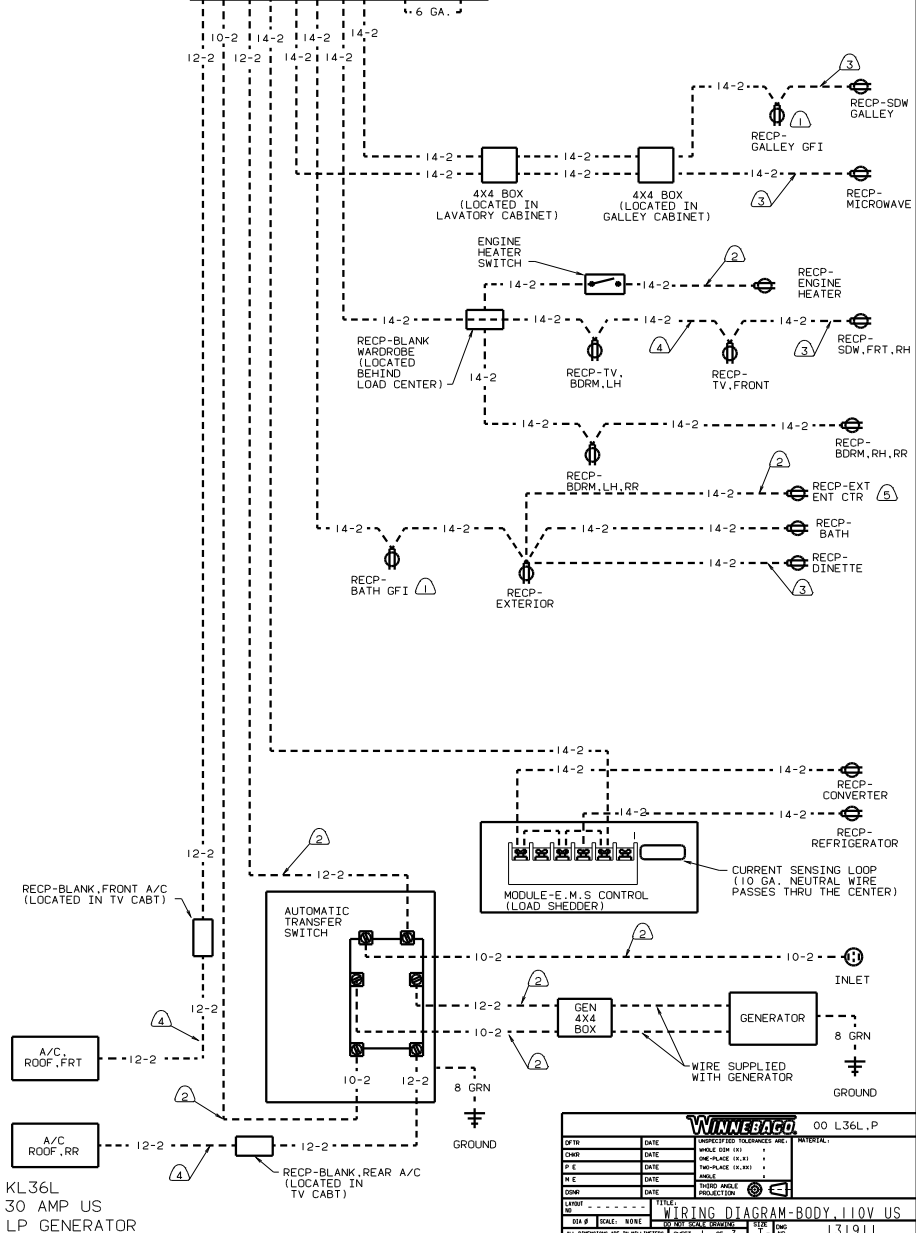
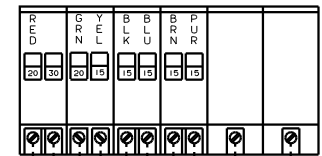
LOAD CENTER



- NOTES:
- ⑤ USE WITH ENT CTR-EXT
  - ④ WIRE IN ROOF
  - ③ WIRE IN SIDEWALL
  - ② WIRE BELOW FLOOR
  - ① ALL RECP DOWN STREAM PROTECTED BY GFI RECP.

KL36L  
50 AMP US  
LP GENERATOR

LOAD CENTER



KL36L  
30 AMP US  
LP GENERATOR

WINNEBAGO		00 L36L_P	
DATE	UNDESIGNED TOLERANCES ARE:	DATE	IN MATERIAL
CHKD	WHOLE OR 1/2	DATE	ONE-PLACE (1/32)
DWG	DATE	DATE	TWO-PLACE (1/64)
D/E	DATE	DATE	ANGLE
CONR	DATE	DATE	TRNG WHOLE PROJECTION
TITLE: <b>WIRING DIAGRAM-BODY, L10V US</b>			
SHEET 1 OF 3		131911	

