



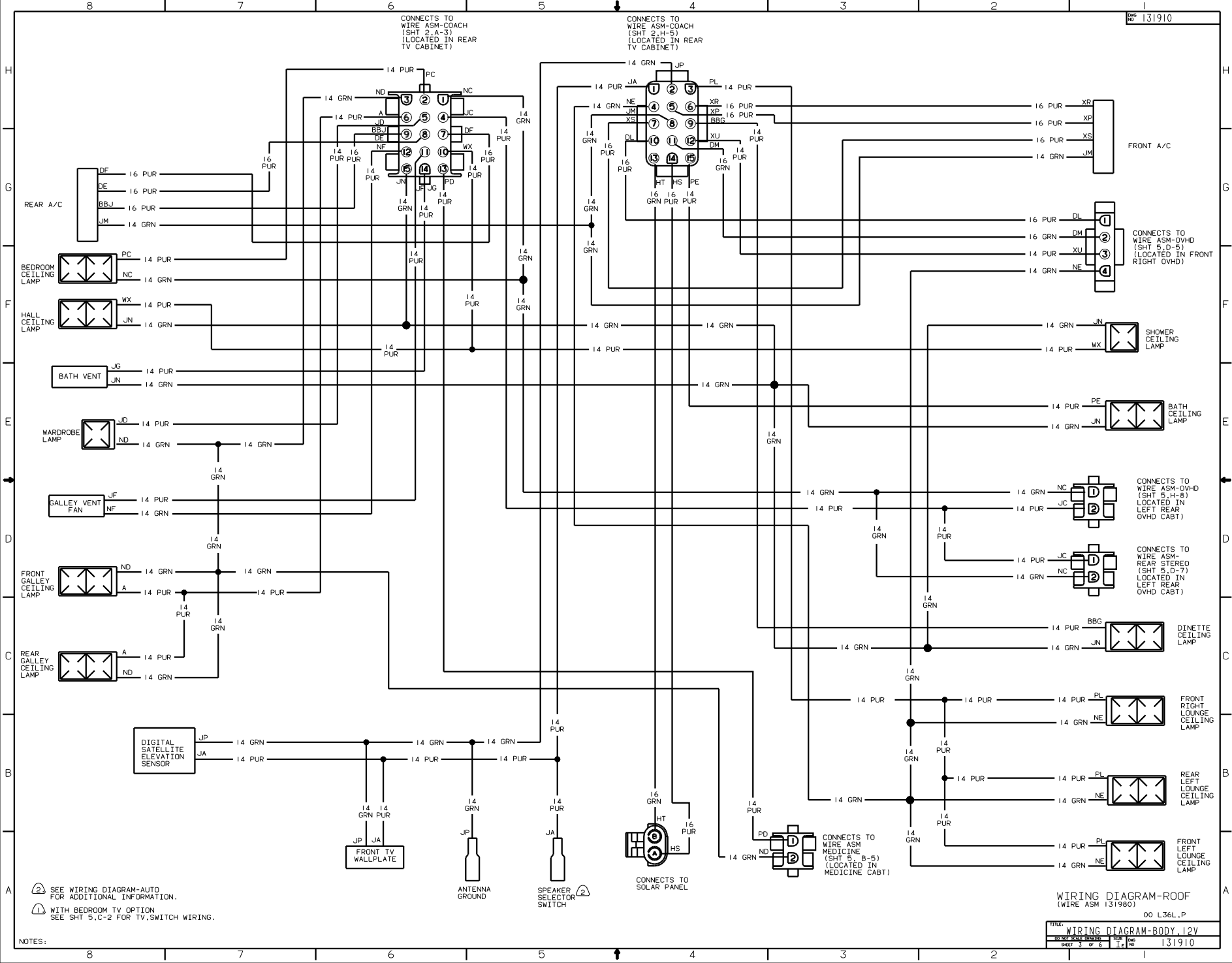
DANGER

Danger of electrical shock, burns or death. Always remove all power sources before attempting any repair, service or diagnostic work. Power can be present from shore power, generator, inverter or battery. All power sources must be disabled and secured before performing any service.



CAUTION

If you lack the skills, tools or equipment to perform diagnostic or repair work leave such work to an authorized Winnebago Industries dealer or other qualified shop.

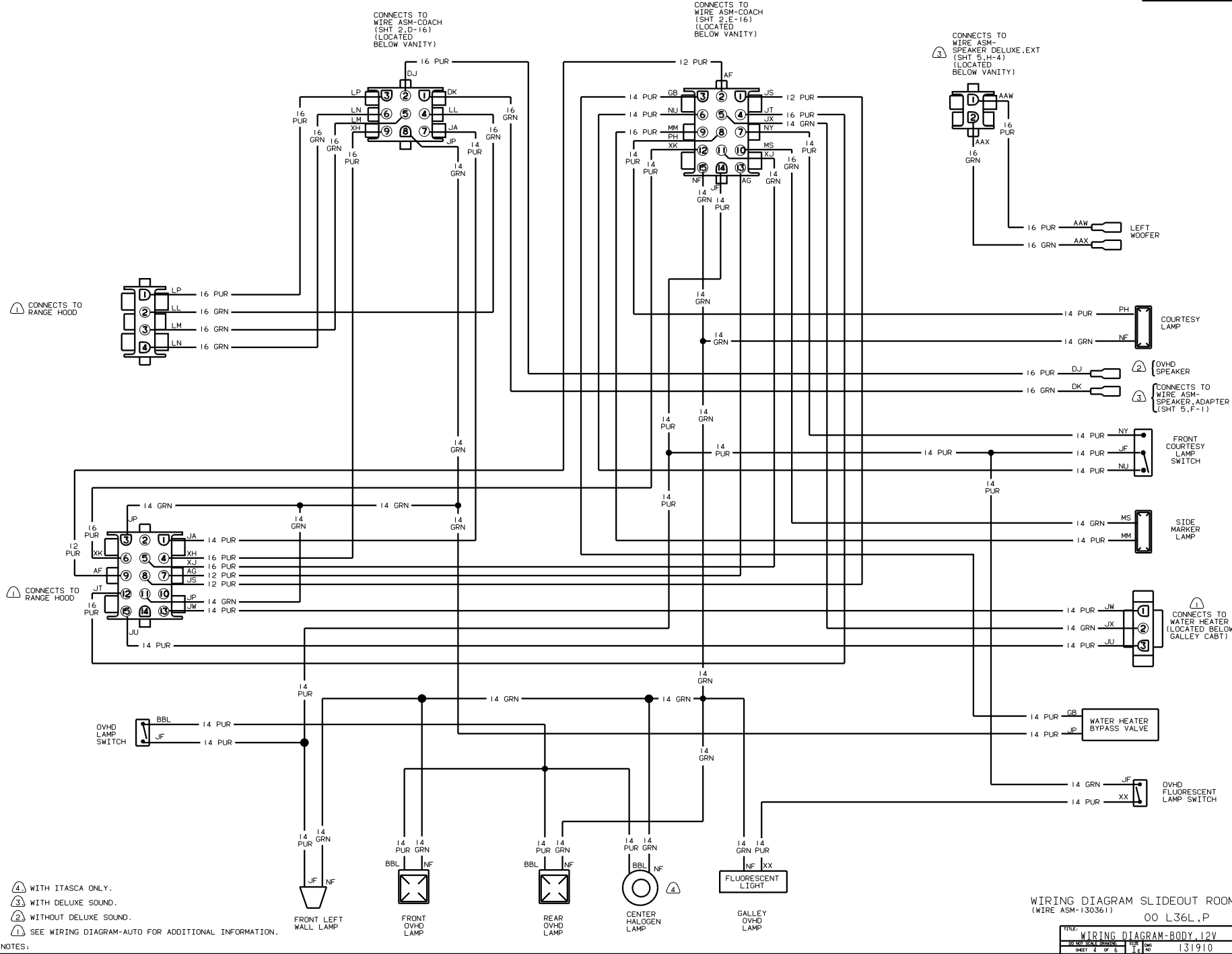


WIRING DIAGRAM-ROOF
(WIRE ASM 131980)

00 L36L.P

TITLE:	WIRING DIAGRAM-BODY 12V
NO. OF SHEETS:	16
SHEET NO.:	3 OF 6
REV. NO.:	1.6
REV. DATE:	131910

- NOTES:
- ② SEE WIRING DIAGRAM-AUTO FOR ADDITIONAL INFORMATION.
 - ① WITH BEDROOM TV OPTION SEE SHT 5.C-2 FOR TV SWITCH WIRING.

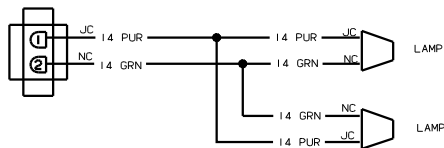


- NOTES:
- ④ WITH ITASCA ONLY.
 - ③ WITH DELUXE SOUND.
 - ② WITHOUT DELUXE SOUND.
 - ① SEE WIRING DIAGRAM-AUTO FOR ADDITIONAL INFORMATION.

WIRING DIAGRAM SLIDEOUT ROOM
(WIRE ASM-130361) 00 L36L,P

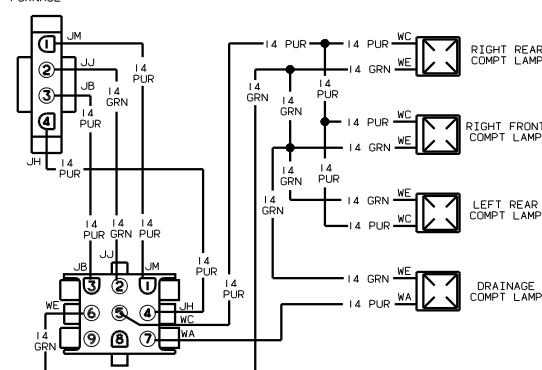
TITLE: WIRING DIAGRAM-BODY_12V	
DATE: 11/16/00	REV: 1
DWG NO: 131910	SHEET 4 OF 6

CONNECTS TO WIRE ASM-ROOF (SHT 3,D-1) (LOCATED IN REAR OVHD CABT)



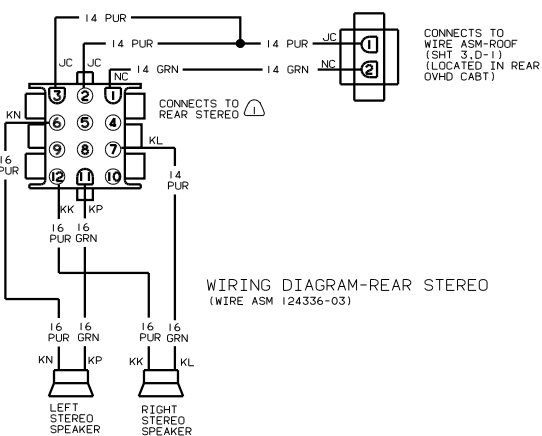
WIRING DIAGRAM-OVHD
(WIRE ASM-125266-03)

CONNECTS TO FURNACE



WIRING DIAGRAM-COMPT LAMPS
(ROUTED IN FLOOR)
(WIRE ASM 127001)

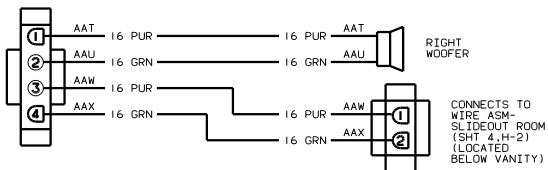
CONNECTS TO WIRE ASM-COACH (SHT 12,H-12) (LOCATED BELOW DUMP VALVE)



WIRING DIAGRAM-REAR STEREO
(WIRE ASM 124336-03)

- NOTES:
- ④ WITH BEDROOM TV
 - ③ WITH DELUXE SOUND.
 - ② WITHOUT DELUXE SOUND.
 - ① SEE WIRING DIAGRAM-AUTO FOR ADDITIONAL INFORMATION.

CONNECTS TO WIRE ASM-AMPLIFIER



③ WIRING DIAGRAM-SPEAKER, DELUXE EXE
(WIRE ASM-126087-02)

CONNECTS TO WIRE ASM-SLIDEOUT ROOM (SHT 4,F-1) (LOCATED BEHIND STOVE)

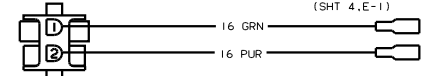
CONNECTS TO WIRE ASM-SPEAKER, DELUXE EXT (SHT 5,F-2) (LOCATED BEHIND COUCH)



③ WIRING DIAGRAM-SIDEWALL, LEFT
(WIRE ASM-125866-01)

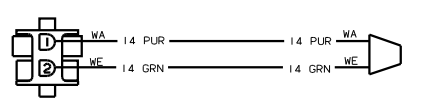
CONNECTS TO SPEAKER (LOCATED IN FRONT OVHDS)

CONNECTS TO WIRE ASM-OVHD (SHT 5,D-4) OR WIRE ASM-SLIDEOUT ROOM (SHT 4,E-1)

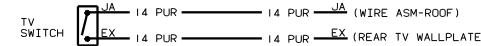


③ WIRING DIAGRAM-SPEAKER, ADAPTER
(WIRE ASM-124843-01)

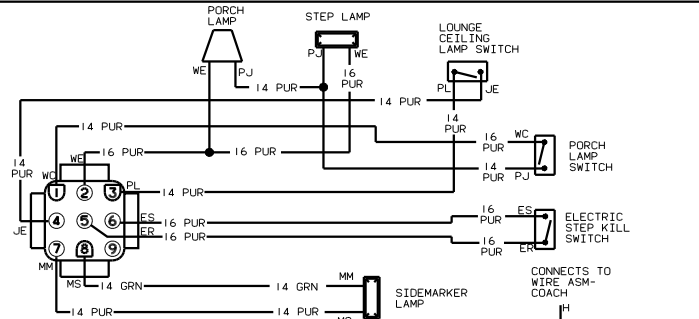
CONNECTS TO WIRE ASM-COACH (SHT 2,H-13) (LOCATED BELOW VANITY)



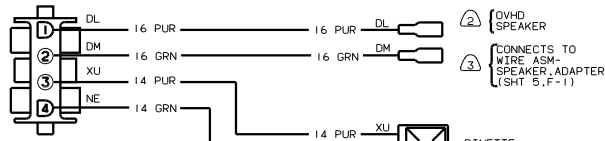
WIRING DIAGRAM-SIDEWALL
(WIRE ASM-77093-15)



④ WIRING DIAGRAM TV, SWITCH
(WIRE ASM 126819-02)

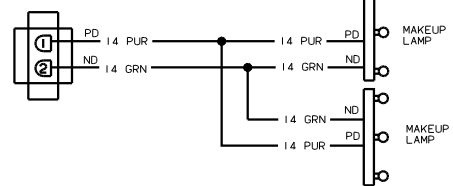


WIRING DIAGRAM-SIDEWALL, RIGHT
(WIRE ASM 127153)

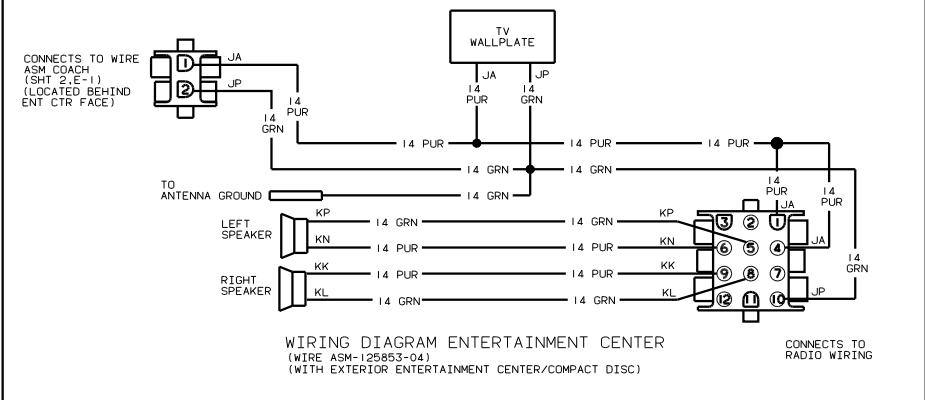
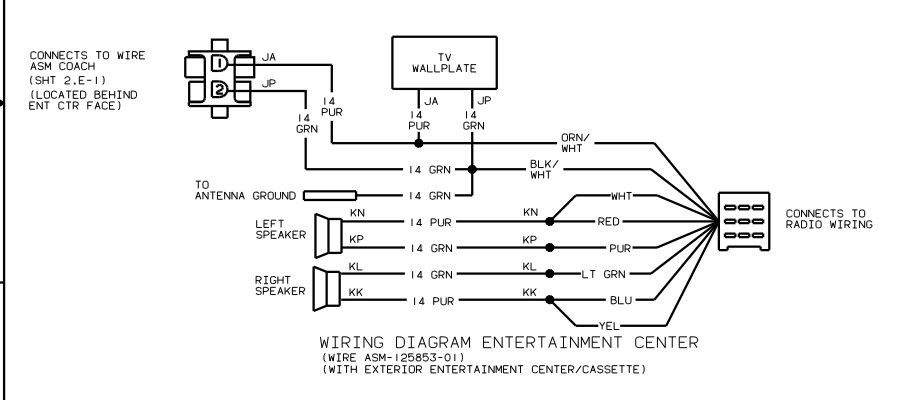
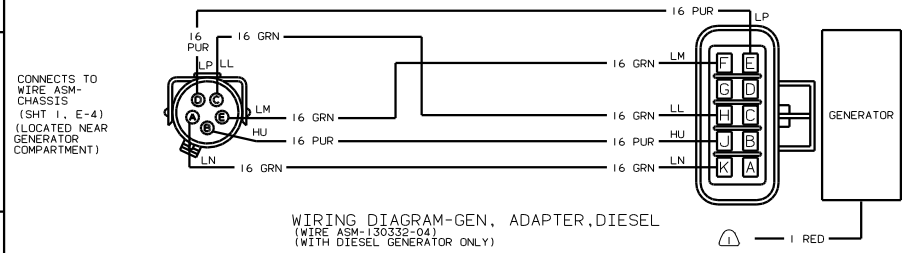
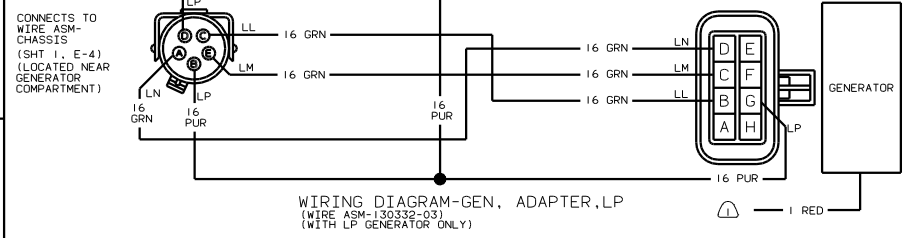


WIRING DIAGRAM OVHD
(WIRE ASM 126025)

CONNECTS TO WIRE ASM-ROOF (SHT 3,A-3) (LOCATED IN MEDICINE CABT)



WIRING DIAGRAM-OVHD, MEDICINE
(WIRE ASM-125266-04)



SEE SHEET 1 FOR ADDITIONAL INFORMATION.