



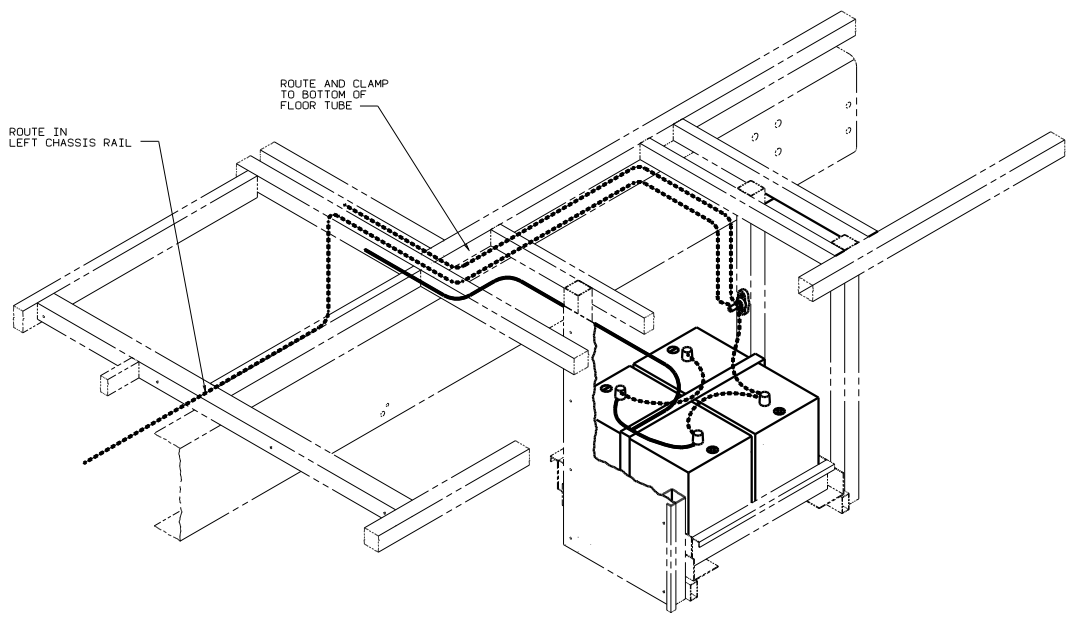
DANGER

Danger of electrical shock, burns or death. Always remove all power sources before attempting any repair, service or diagnostic work. Power can be present from shore power, generator, inverter or battery. All power sources must be disabled and secured before performing any service.

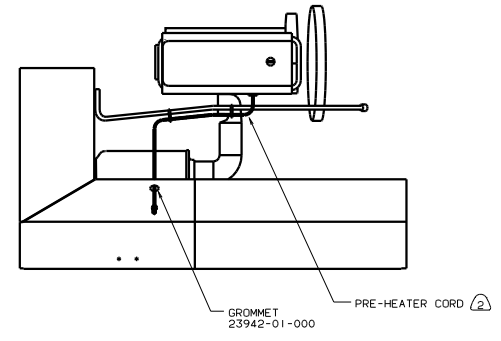


CAUTION

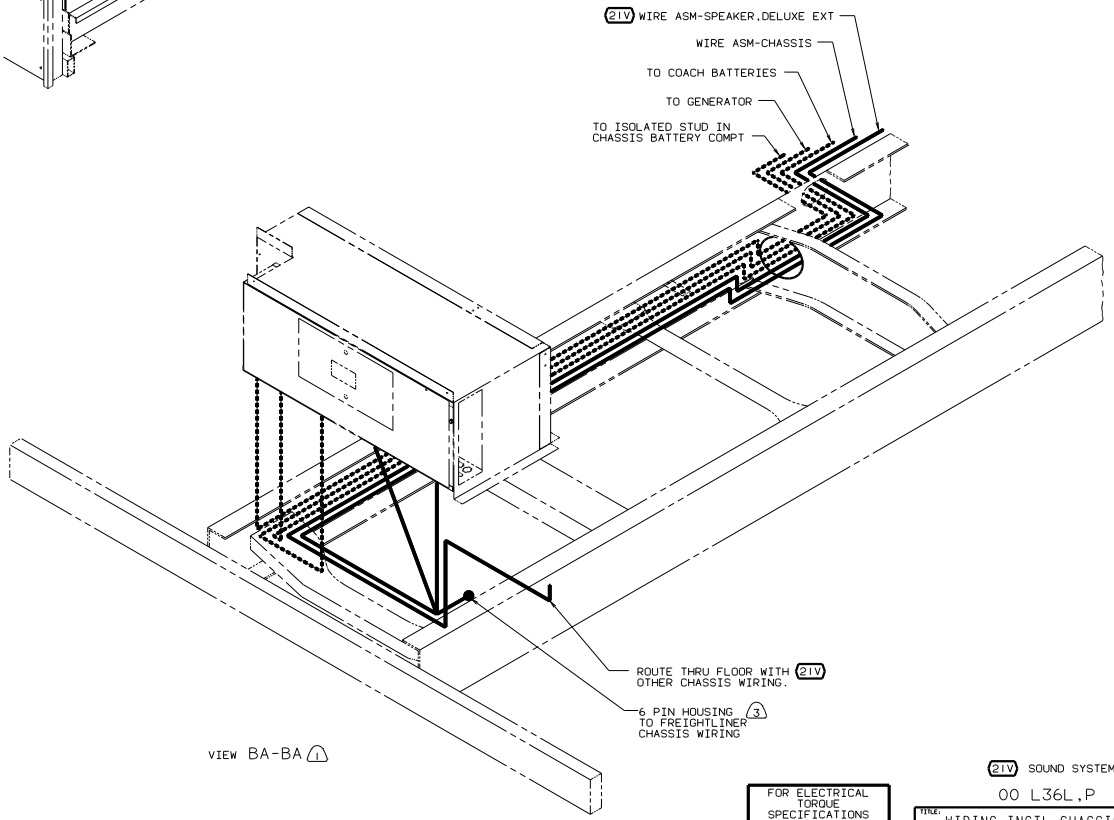
If you lack the skills, tools or equipment to perform diagnostic or repair work leave such work to an authorized Winnebago Industries dealer or other qualified shop.



VIEW BB-BB



VIEW BC



VIEW BA-BA (1)

- NOTES:
- (3) REMOVE 6 POSITION WEATHER PACK HOUSING SUPPLIED W/CHASSIS AND SEND TO WIRE PREP.
 - (2) SECURE CORD AWAY FROM ALL MOVING PARTS AND EXHAUST WITH TIE-WIRE 93147-01-000 AS REQUIRED.
 - (1) SEE WIRING INSTL-FRONT END FOR ADDITIONAL INFORMATION.

FOR ELECTRICAL TORQUE SPECIFICATIONS SEE DWG NO. 128783-01-000

(21V) SOUND SYSTEM DELUXE
00 L36L.P
TITLE: WIRING INSTL-CHASSIS_FL
SHEET 2 OF 2
131907