



**DANGER**

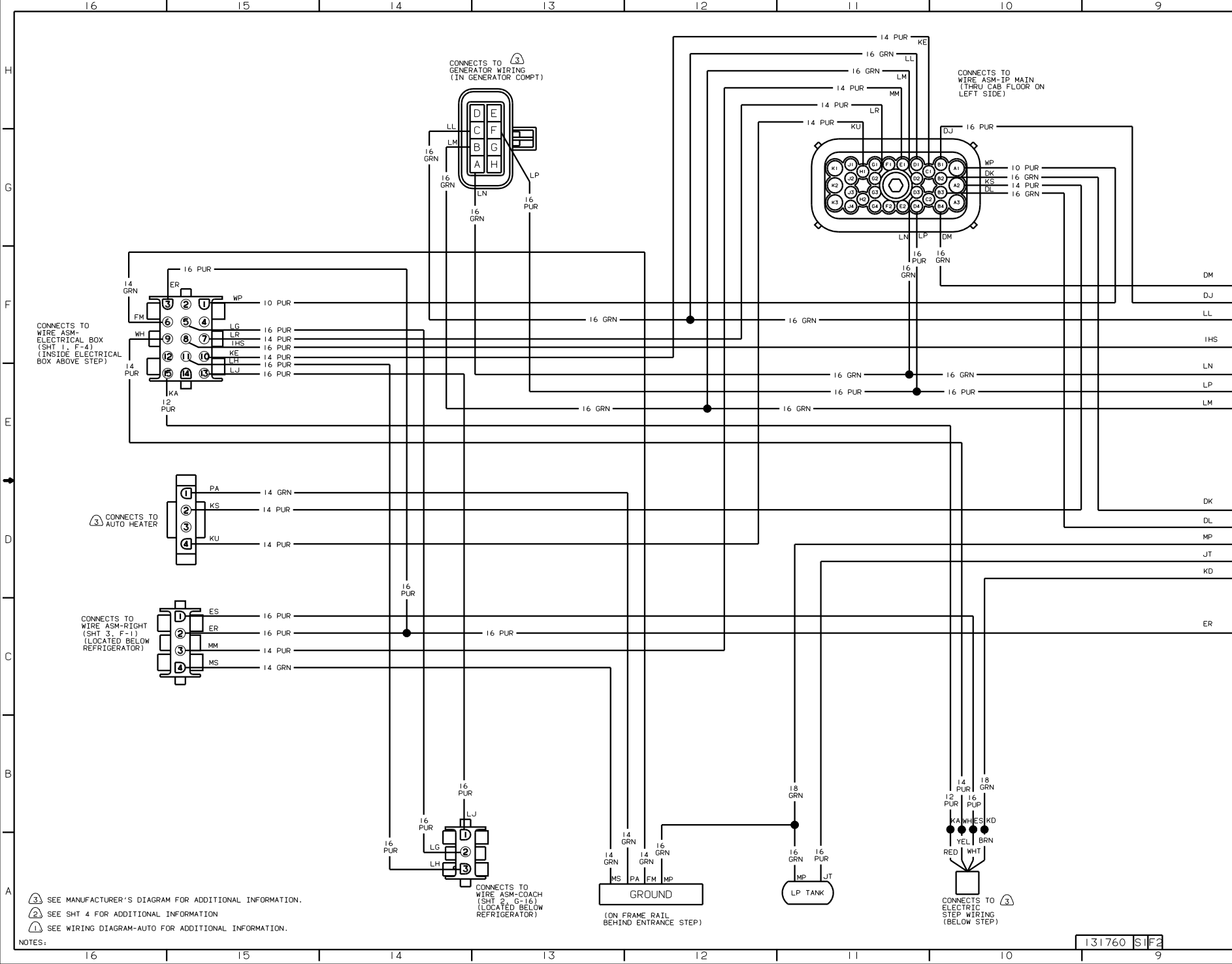
**Danger of electrical shock, burns or death.** Always remove all power sources before attempting any repair, service or diagnostic work. Power can be present from shore power, generator, inverter or battery. All power sources must be disabled and secured before performing any service.

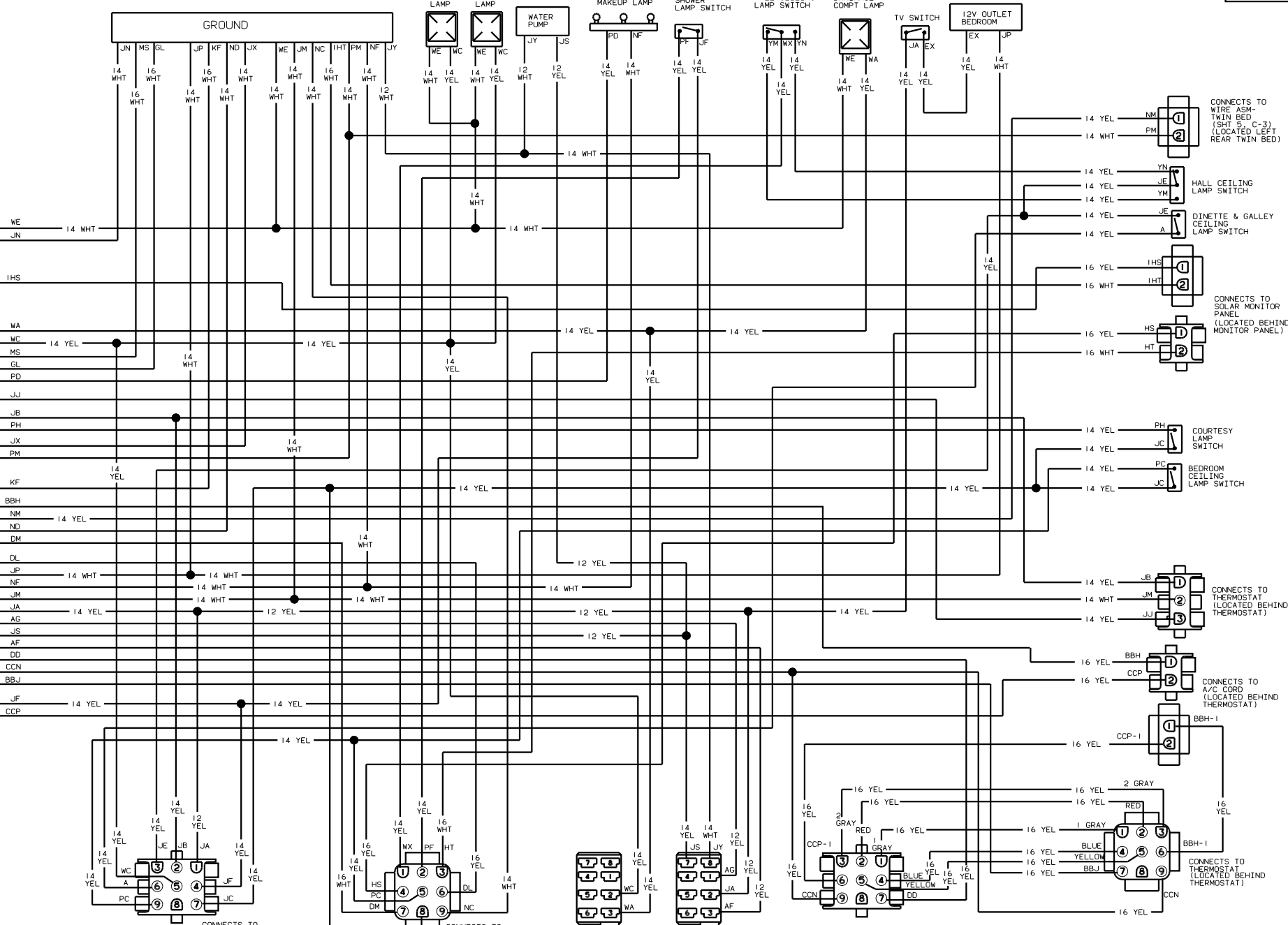


**CAUTION**

If you lack the skills, tools or equipment to perform diagnostic or repair work leave such work to an authorized Winnebago Industries dealer or other qualified shop.







CONNECTS TO WIRE ASM-RIGHT (SHT 3, D-8) (LOCATED BELOW REFRIGERATOR)

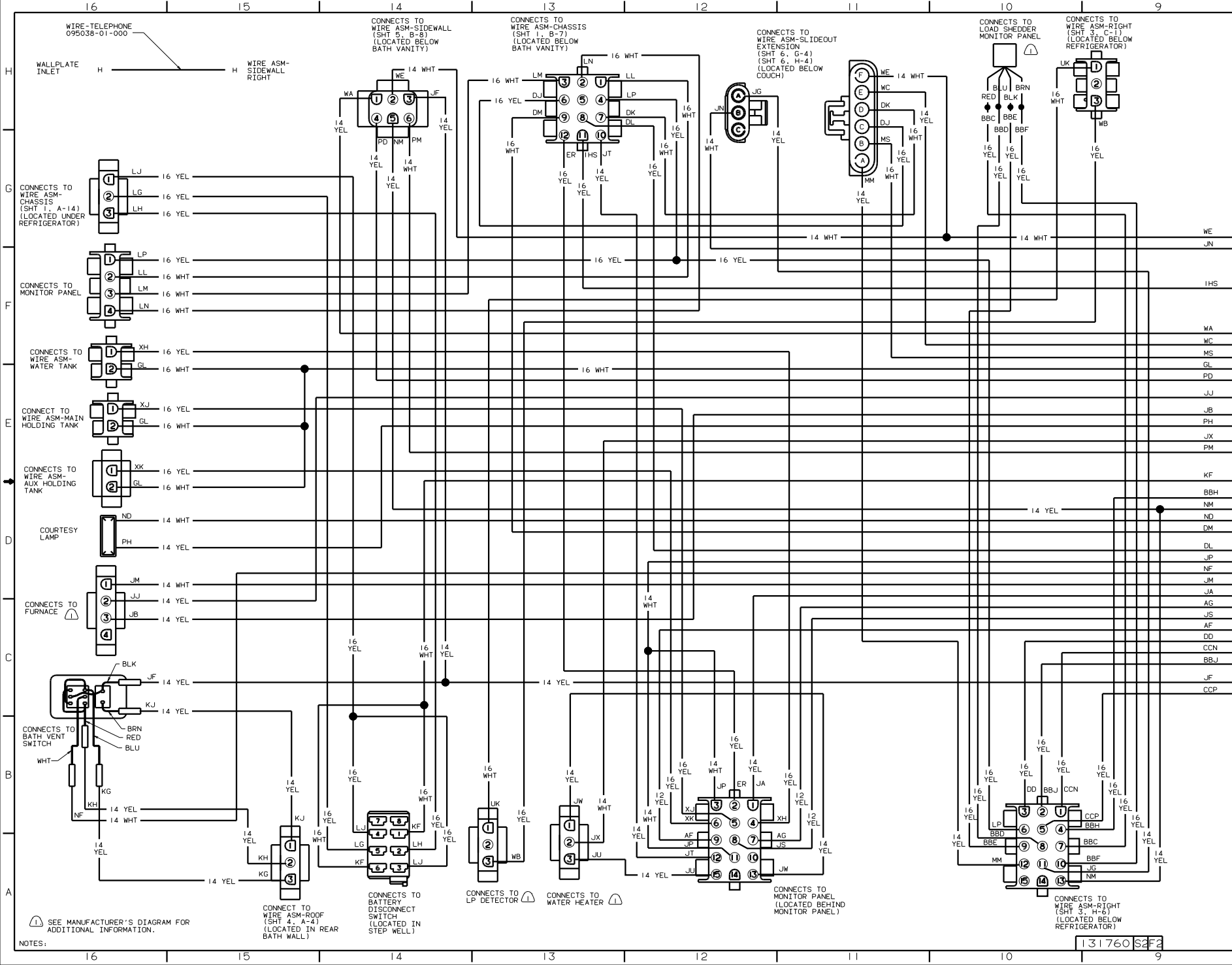
CONNECTS TO WIRE ASM-ROOF (SHT 4, A-6) (LOCATED ABOVE WARDROBE CABT)

CONNECTS TO A/C CORD (THERMOSTAT)

WIRING DIAGRAM COACH

00 G32V

WIRING DIAGRAM 12V  
 SHEET 2 OF 6  
 131760



NOTES:  
 △ SEE MANUFACTURER'S DIAGRAM FOR ADDITIONAL INFORMATION.

131760 S2F2

CONNECTS TO WIRE ASM-COACH (SHT 2, A-10) (LOCATED BELOW REFRIGERATOR)

GROUND

ISOLATED STUD

ELECTRIC STEP KILL SWITCH

CONNECTS TO LOAD SHEDDER CONTROL BOARD

MARKER LAMP

CONNECTS TO WIRE ASM-COACH (SHT 2, A-7) (LOCATED BELOW REFRIGERATOR)

PORCH STEP LAMP SWITCH

CEILING LAMP SWITCH

COMPARTMENT LAMP

STEP LAMP

REFRIGERATOR

CONNECTS TO WIRE ASM-ROOF (SHT 4, H-5) (LOCATED ABOVE MICROWAVE)

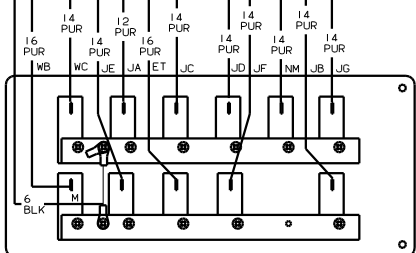
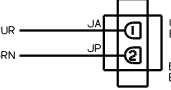
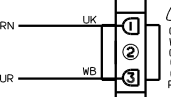
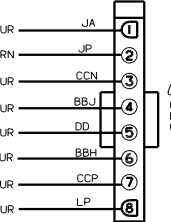
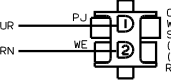
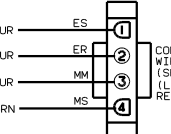
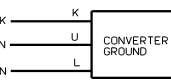
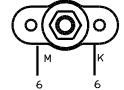
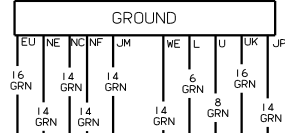
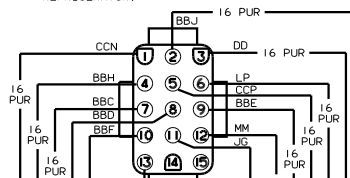
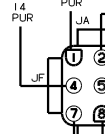
12V BREAKER PANEL (LOCATED IN OVHD MICROWAVE CABT)

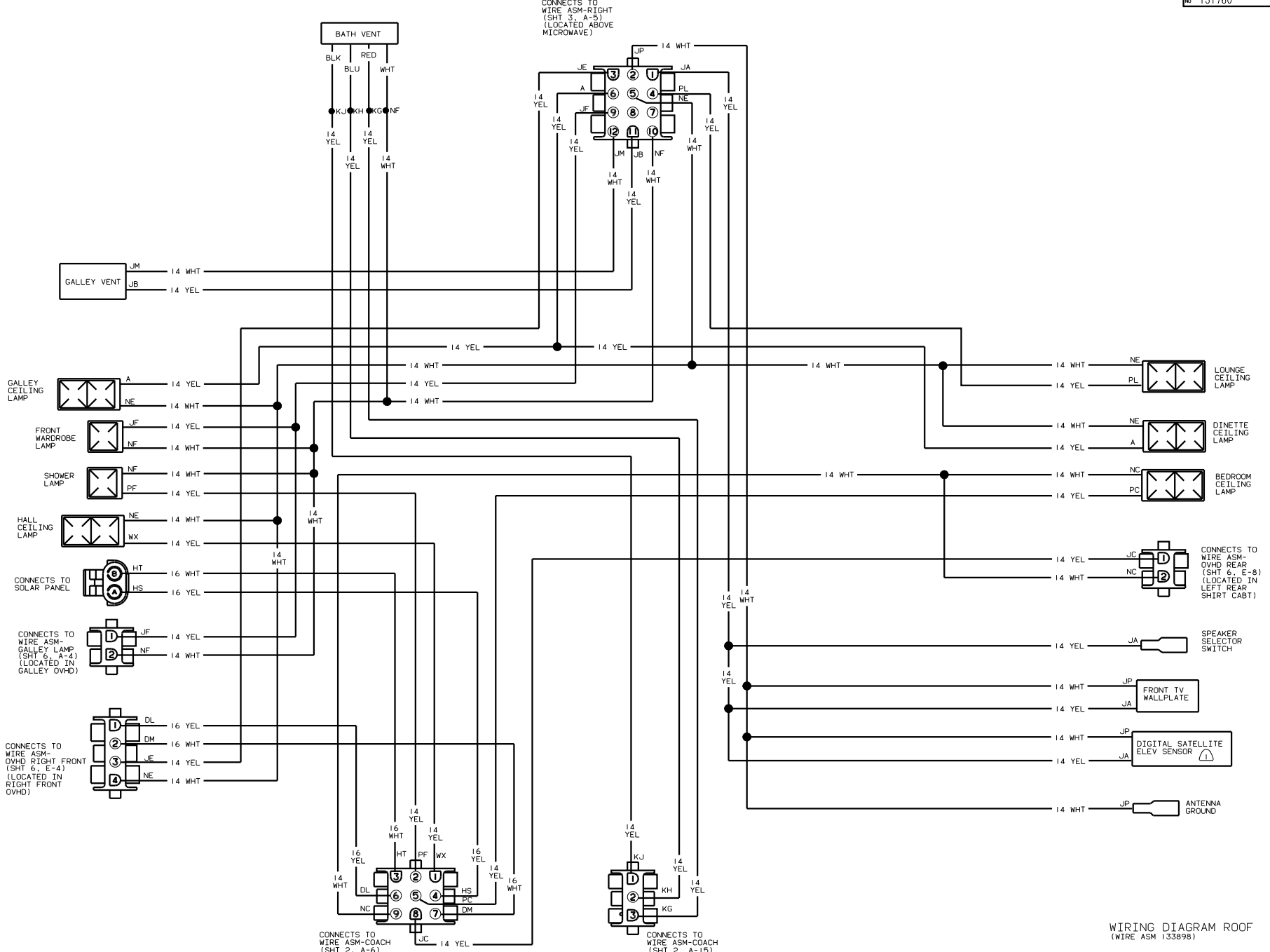
WIRING DIAGRAM RIGHT (WIRE ASM 132295)

00 G32V

TITLE: WIRING DIAGRAM BODY\_12V  
30 DAY SCALE DRAWING  
SHEET 3 OF 6  
DATE: 1/16  
131760

NOTES:  
SEE MANUFACTURER'S DIAGRAM FOR ADDITIONAL INFORMATION.



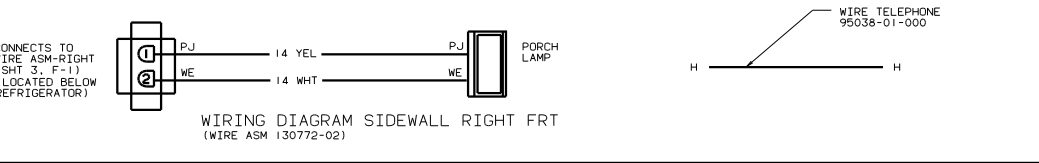
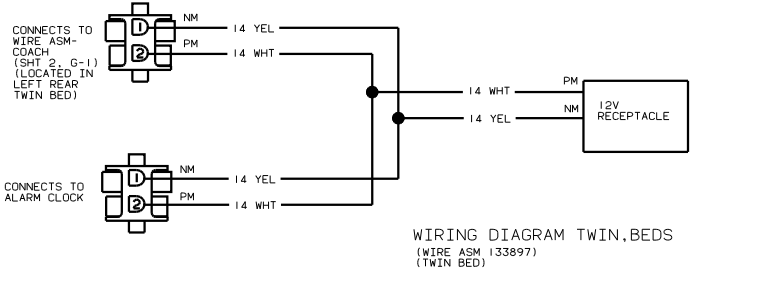
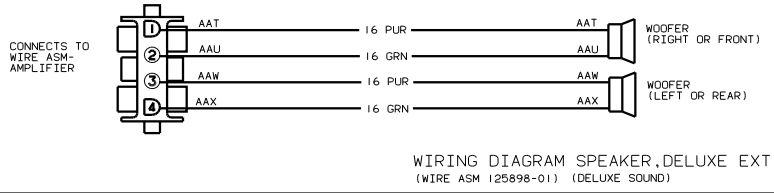
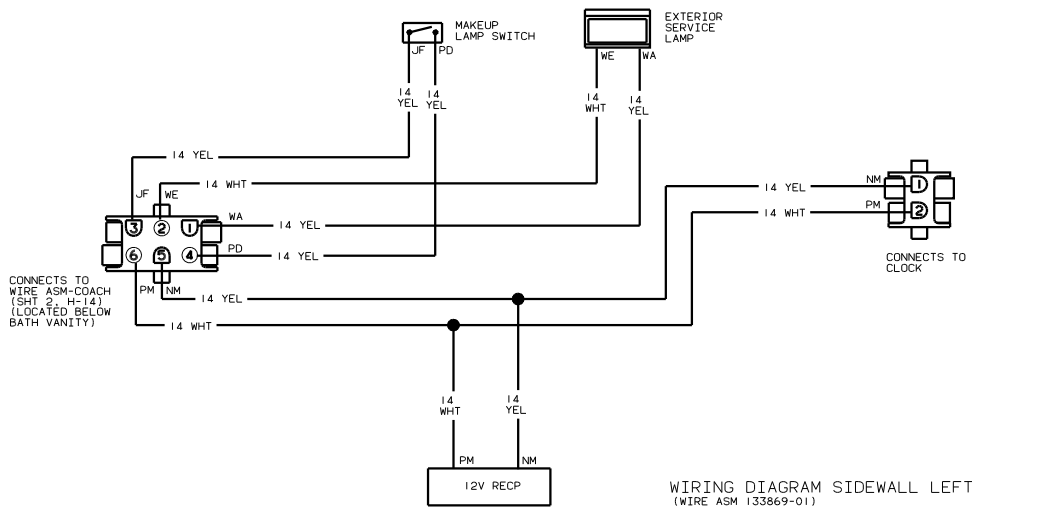
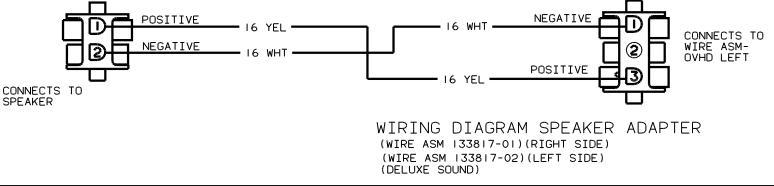
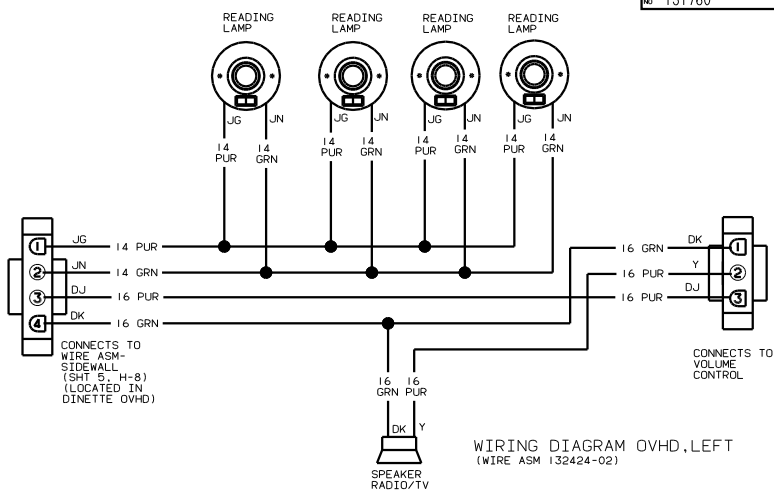
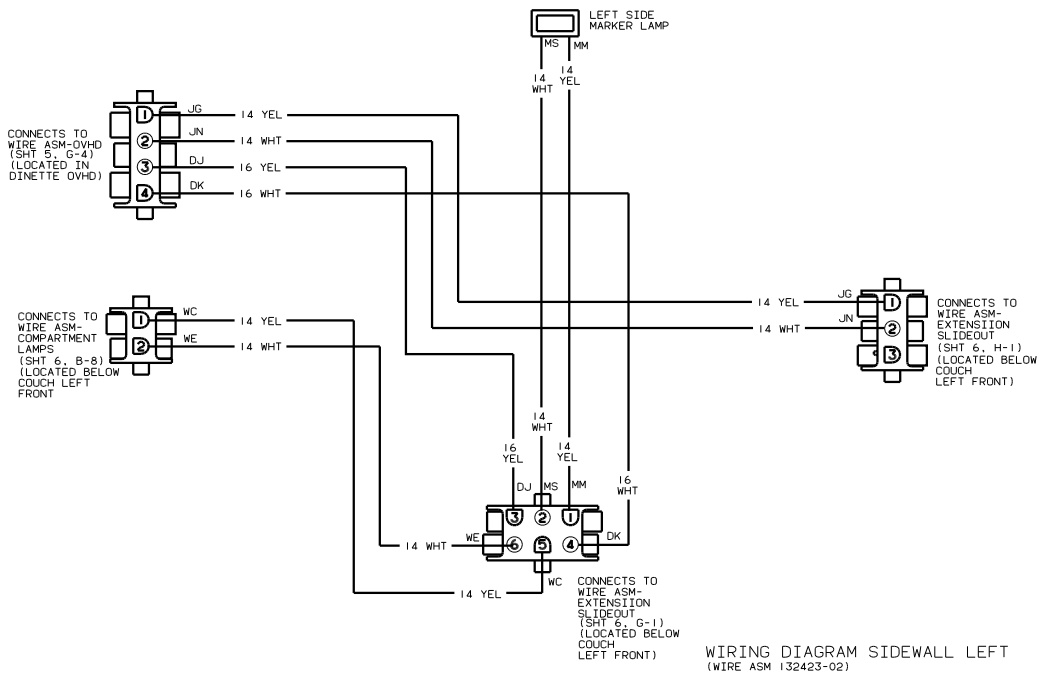


NOTES:  
 1. SEE MANUFACTURER'S DIAGRAM FOR ADDITIONAL INFORMATION.

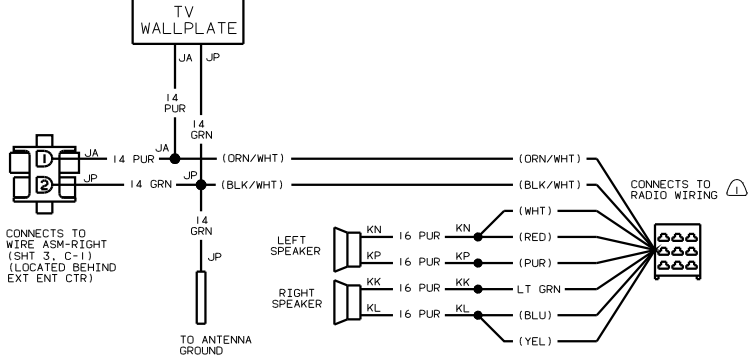
WIRING DIAGRAM ROOF  
 (WIRE ASM 133898)

00 G32V

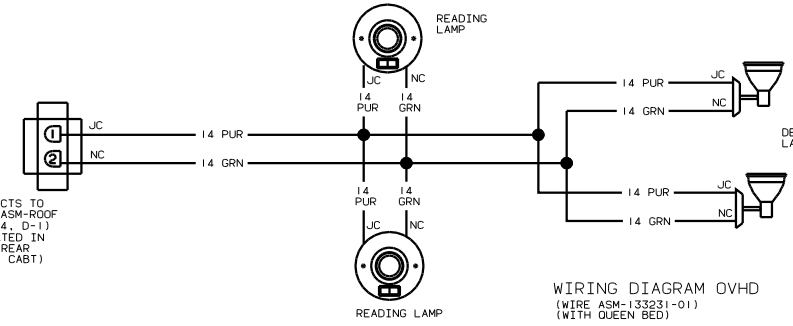
TITLE: WIRING DIAGRAM BODY_12V	
NO. OF SHEETS: 6	SHEET NO: 4
DATE: 1.6	REV: 1
131760	



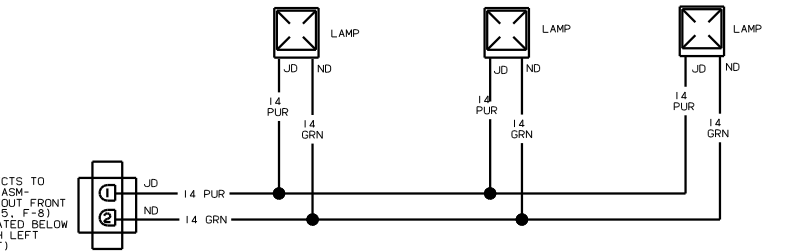




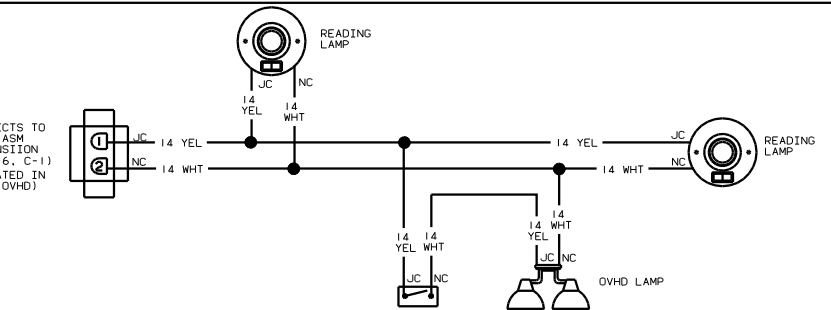
WIRING DIAGRAM-EXT ENT CTR  
(WIRE ASM 125853-01)  
(WITH EXTERIOR ENTERTAINMENT CENTER)



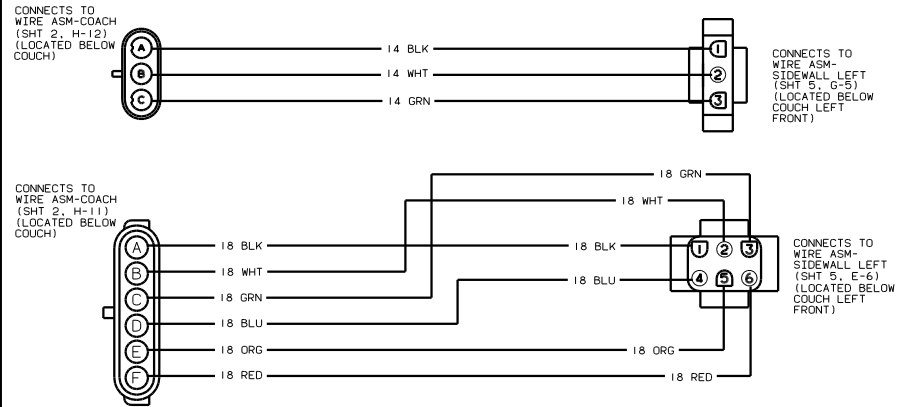
WIRING DIAGRAM OVHD  
(WIRE ASM-133231-01)  
(WITH QUEEN BED)



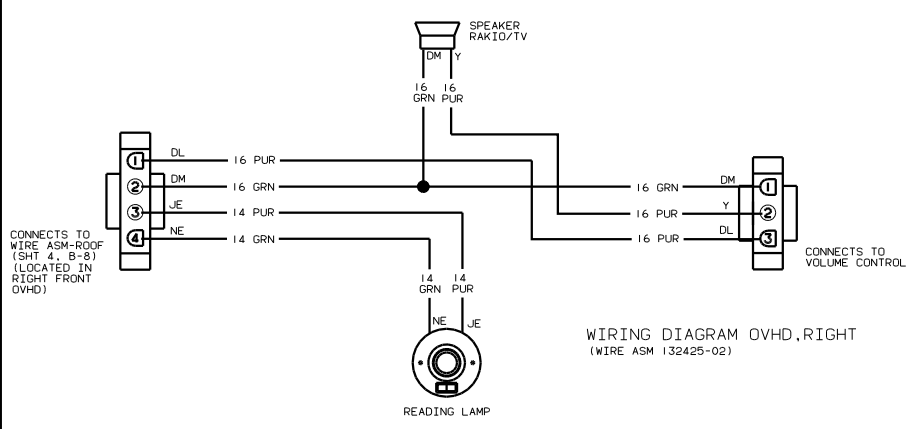
WIRING DIAGRAM COMPT SLIDEOUT  
(WIRE ASM 129295)



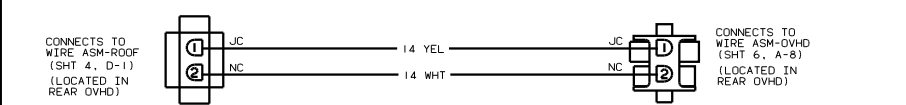
WIRING DIAGRAM OVHD TWIN  
(WIRE ASM 134221) (TWIN BED)



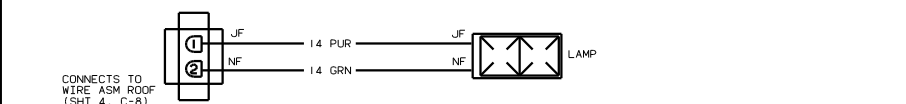
WIRING DIAGRAM EXTENSION SLIDEOUT  
(WIRE ASM 132887)



WIRING DIAGRAM OVHD, RIGHT  
(WIRE ASM 132425-02)



WIRING DIAGRAM OVHD REAR EXT  
(WIRE ASM 130858-01)



WIRING DIAGRAM GALLEY LAMP  
(WIRE ASM 93051-07)

NOTES: 1) SEE MANUFACTURER'S DIAGRAM FOR ADDITIONAL INFORMATION.