



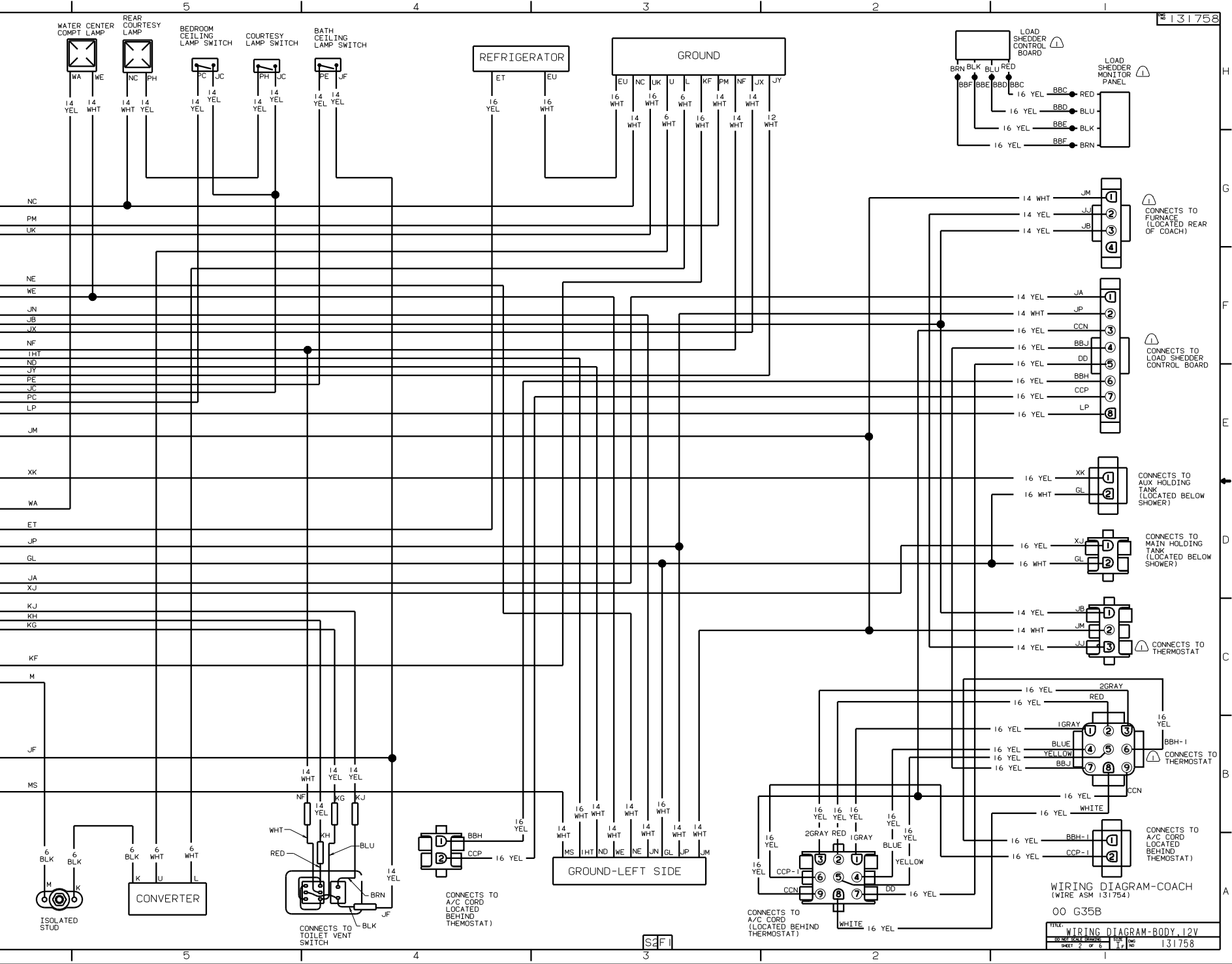
DANGER

Danger of electrical shock, burns or death. Always remove all power sources before attempting any repair, service or diagnostic work. Power can be present from shore power, generator, inverter or battery. All power sources must be disabled and secured before performing any service.



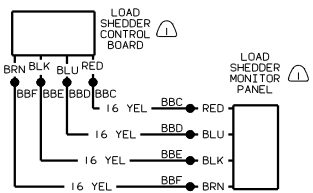
CAUTION

If you lack the skills, tools or equipment to perform diagnostic or repair work leave such work to an authorized Winnebago Industries dealer or other qualified shop.



REFRIGERATOR

GROUND



CONNECTS TO FURNACE (LOCATED REAR OF COACH)

CONNECTS TO LOAD SHEDDER CONTROL BOARD

CONNECTS TO AUX HOLDING TANK (LOCATED BELOW SHOWER)

CONNECTS TO MAIN HOLDING TANK (LOCATED BELOW SHOWER)

CONNECTS TO THERMOSTAT

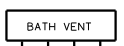
CONNECTS TO THERMOSTAT

CONNECTS TO A/C CORD (LOCATED BEHIND THERMOSTAT)

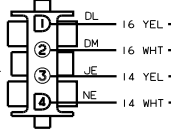
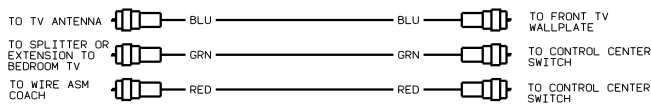
WIRING DIAGRAM-COACH
00 G35B

WIRING DIAGRAM-BODY_12V
131758

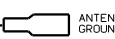
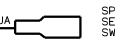
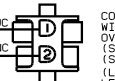
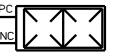
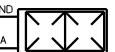
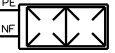
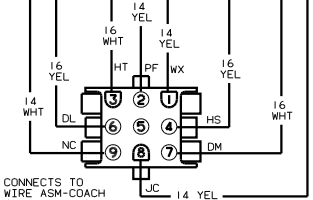
SAF



CONNECTS TO WIRE ASM-COACH (SHT 2, H-14) (LOCATED ABOVE WARDROBE CABT)



CONNECTS TO WIRE ASM-COACH (SHT 2, H-13) (LOCATED ABOVE WARDROBE CABT)

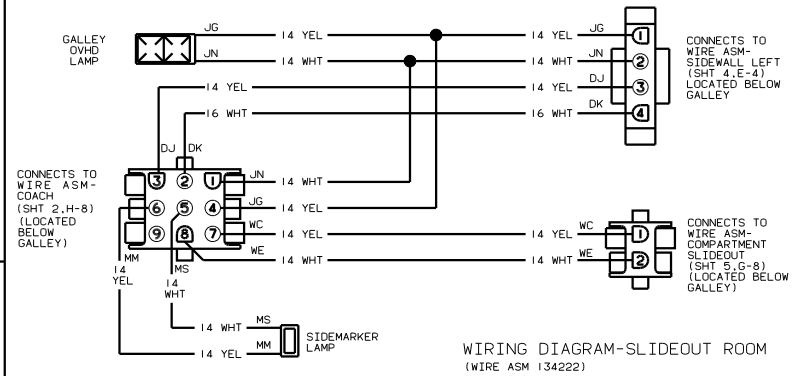
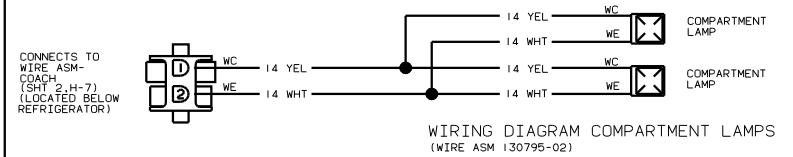
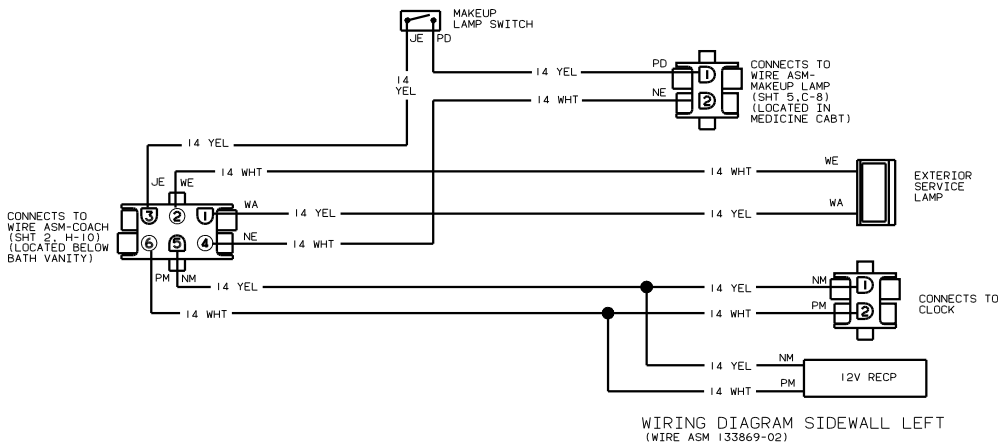
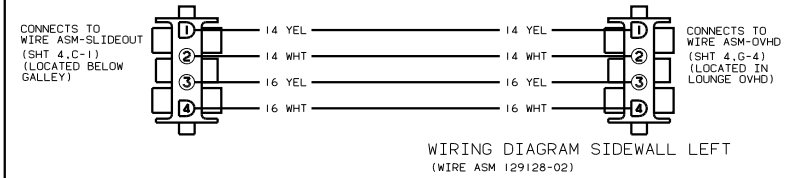
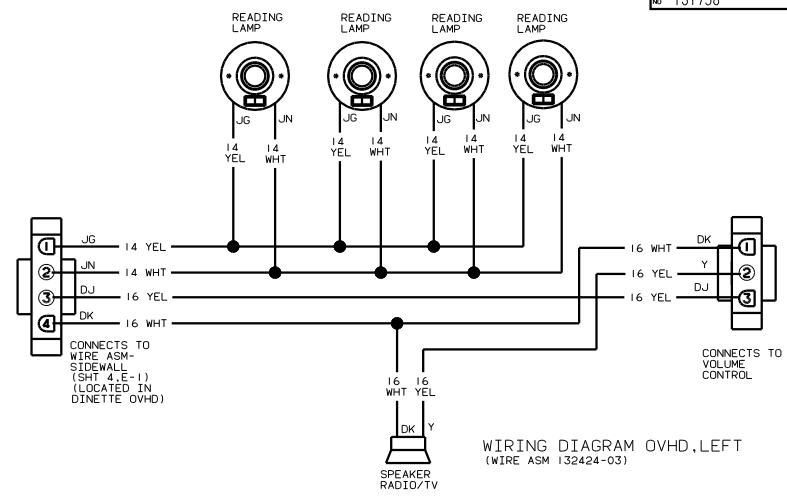
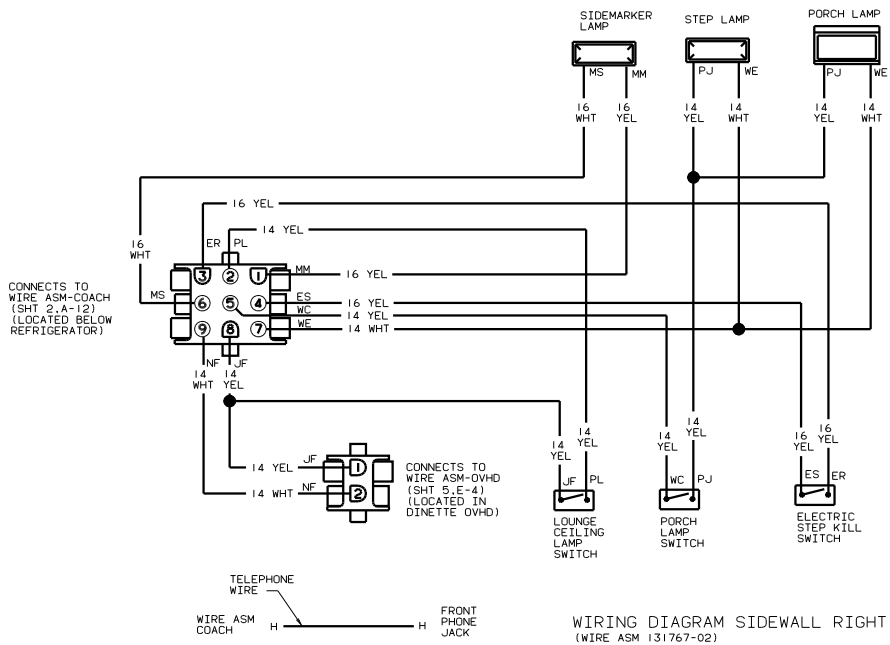


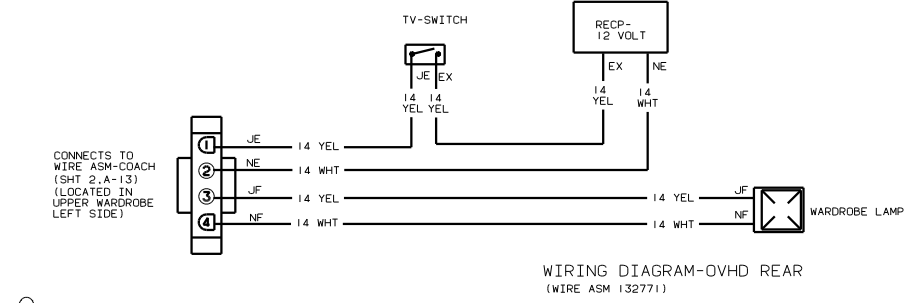
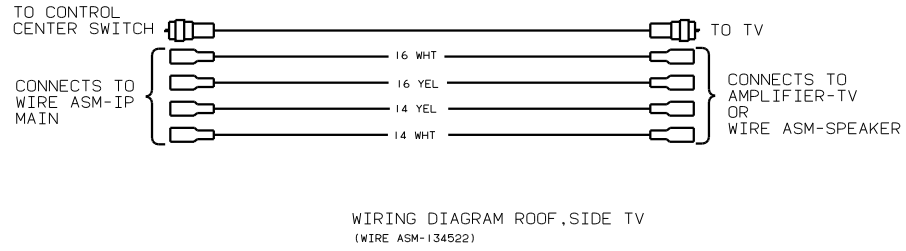
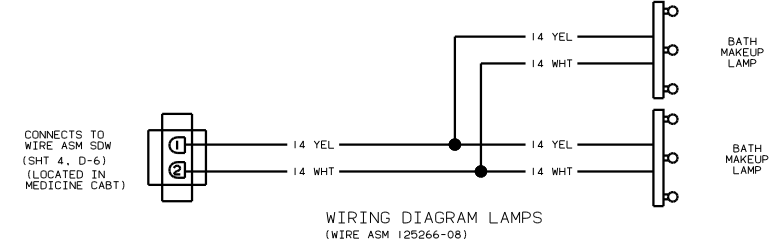
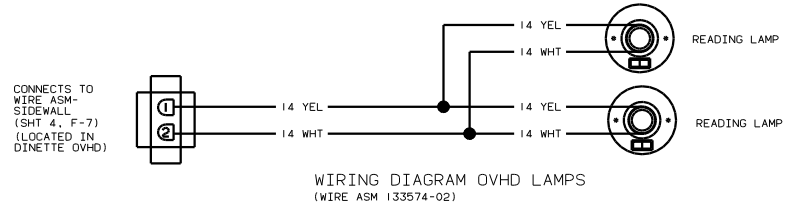
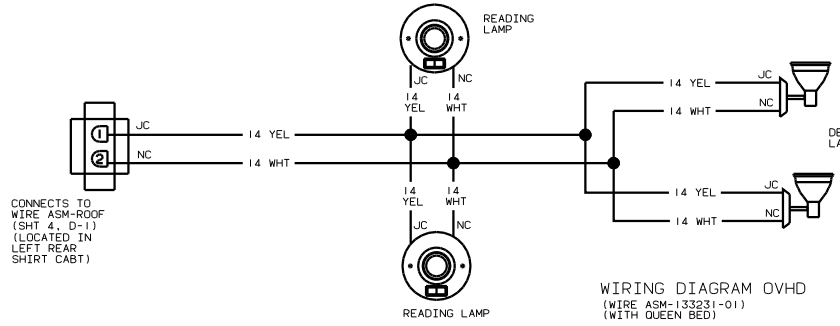
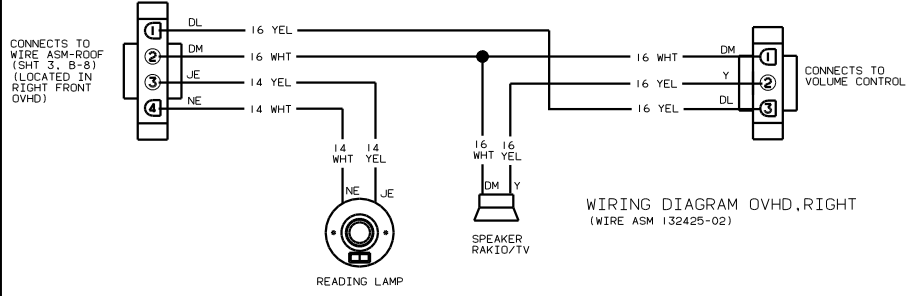
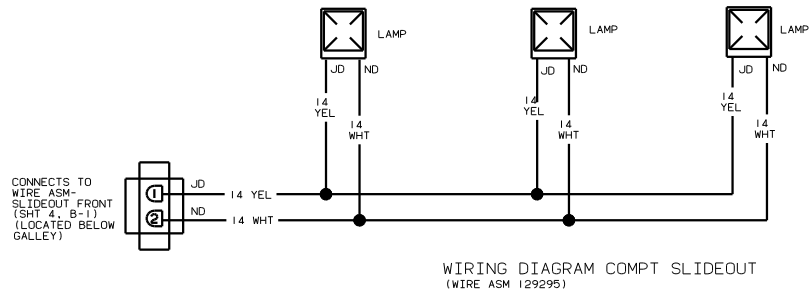
NOTES: SEE MANUFACTURER'S DIAGRAM FOR ADDITIONAL INFORMATION.

WIRING DIAGRAM ROOF (WIRE ASM 134155)

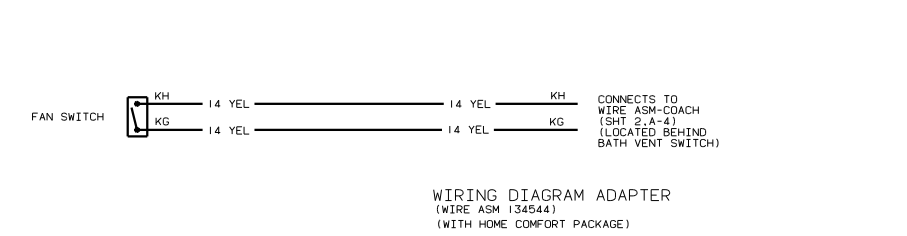
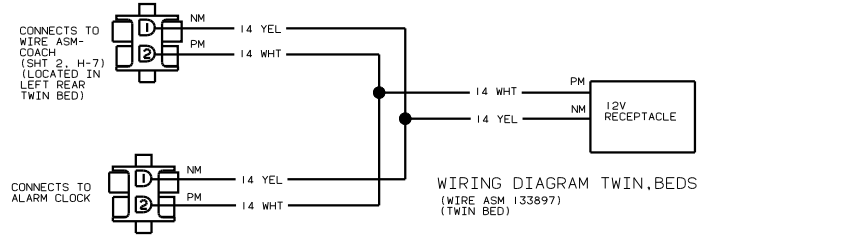
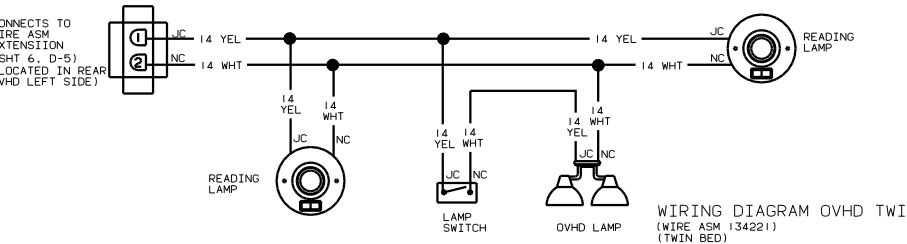
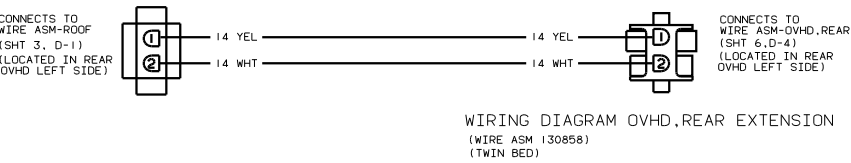
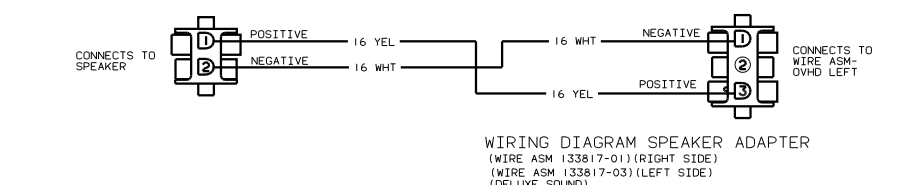
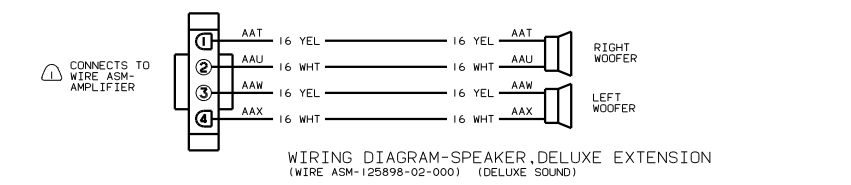
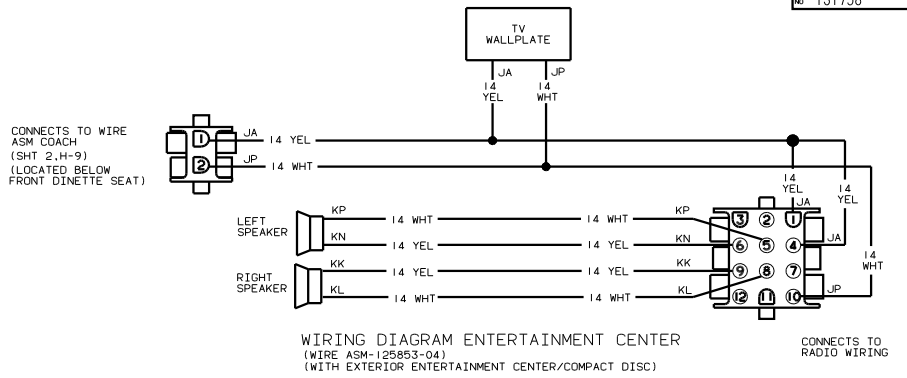
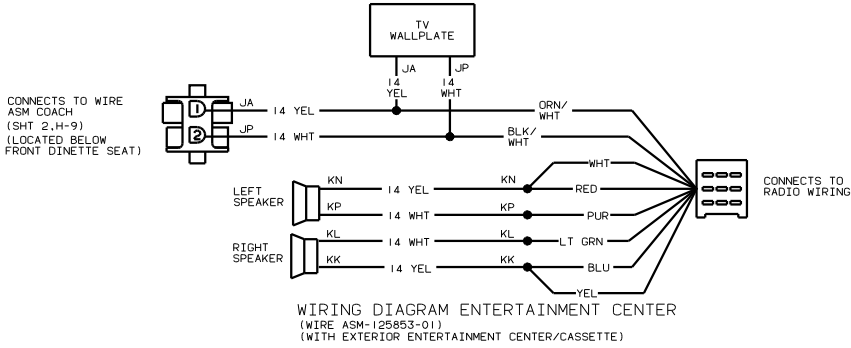
00 G35B

TITLE: WIRING DIAGRAM BODY 12V	
NO. OF SHEETS: 6	SHEET NO: 3
DATE: 1.6	REV. NO: 1
131758	





NOTES: (1) SEE MANUFACTURER'S DIAGRAM FOR ADDITIONAL INFORMATION.



- NOTES:
- ⑧ WITHOUT ENERGY MANAGEMENT SYSTEM.
 - ⑦ NOT USED WITH DELUXE SOUND.
 - ⑥ WITHOUT DELUXE SOUND.
 - ⑤ WITH COMFORT & CONVENIENCE PACKAGE.
 - ④ WITH F-SERIES.
 - ③ WITH G-SERIES.
 - ② WITH DELUXE SOUND.
 - ① SEE WIRING DIAGRAM-AUTO FOR ADDITIONAL INFORMATION.